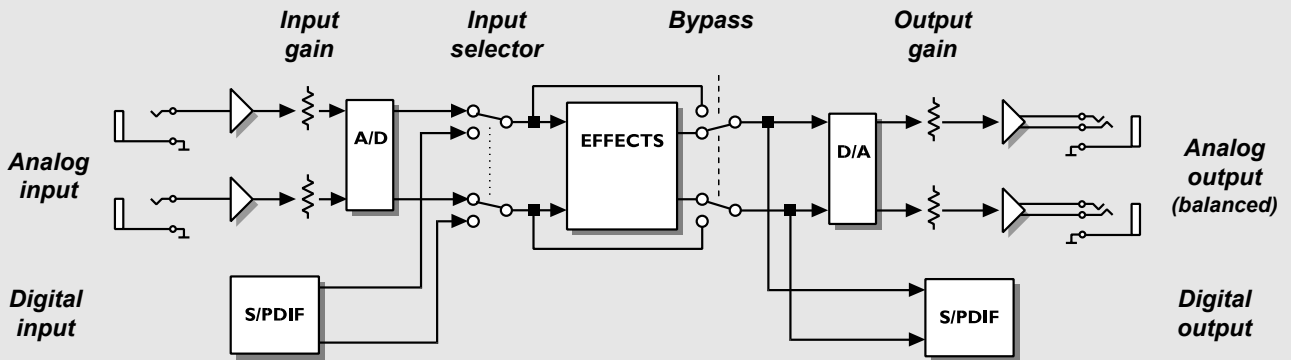


THE SIGNAL FLOW



Notes regarding the signal flow:

Signal is always present at both the Analog and Digital outputs.

G-Force is limited to 44.1kHz sample rate at both Analog and Digital inputs.

The Input level of the G-Force automatically optimizes the signal to noise ratio via a small relay in the input section. You will see a prompt on the display and may hear a small click when the input gain range is changed.