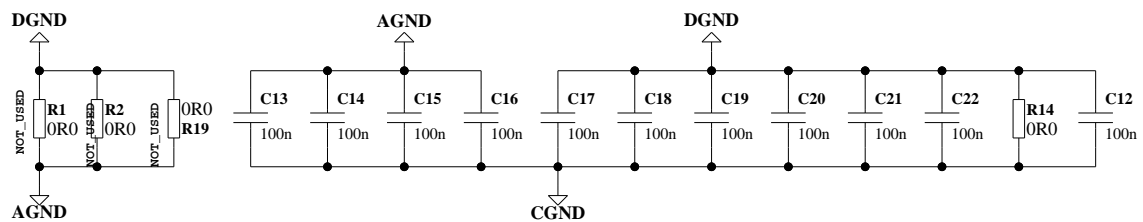
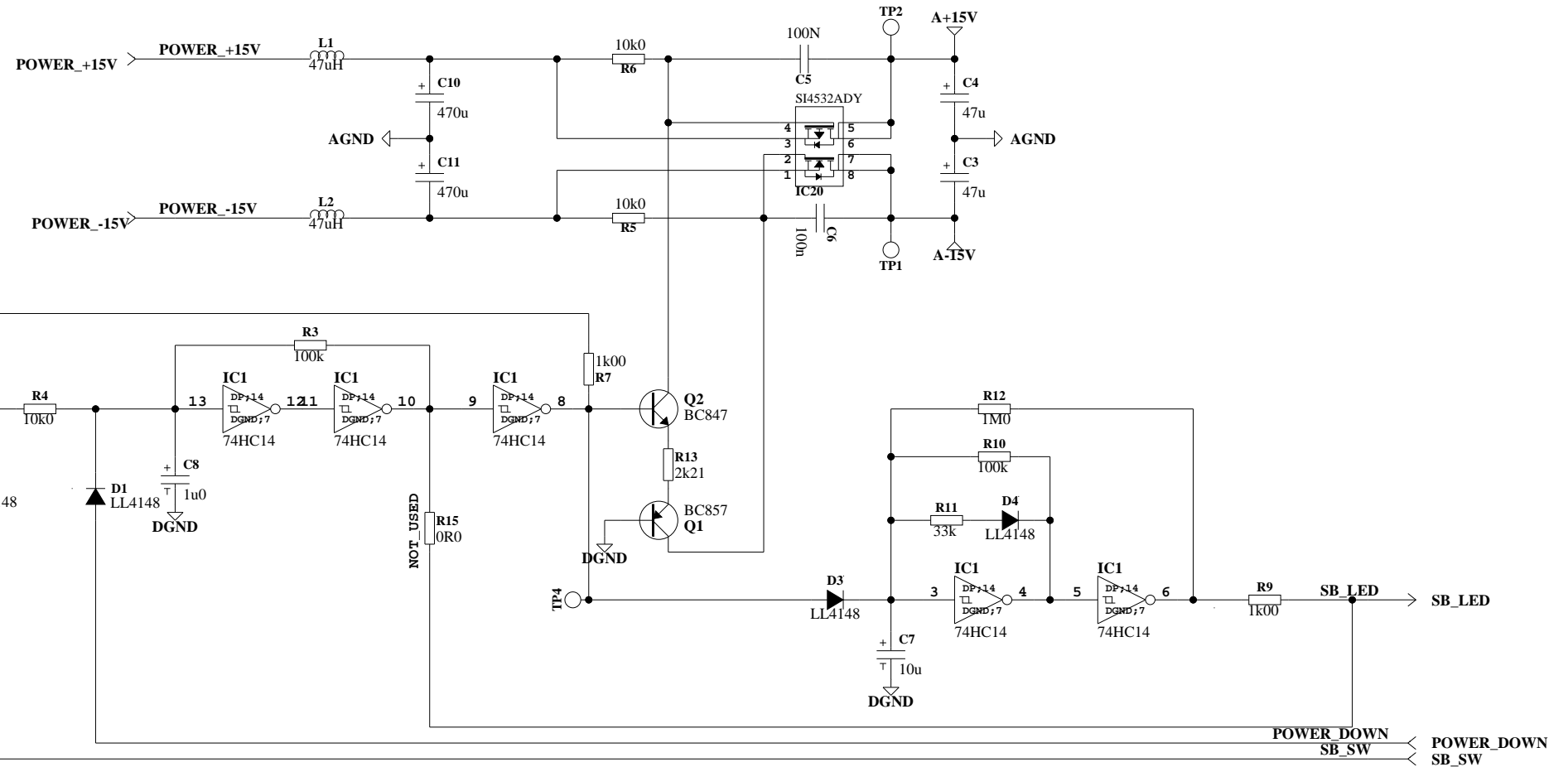
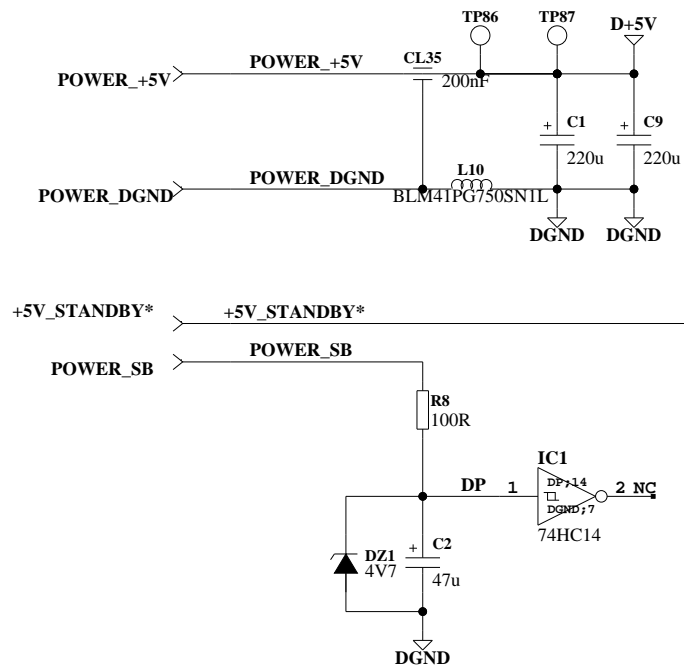
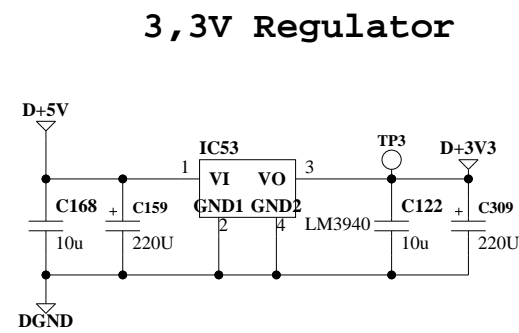
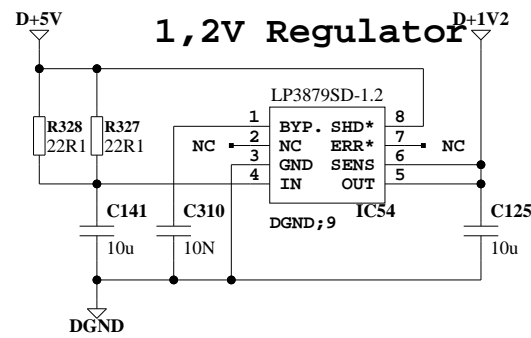
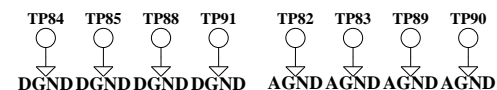
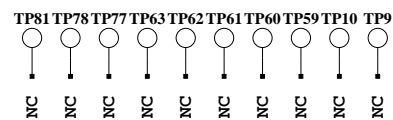


<b>TC Electronic A/S</b>		Designer MAR
Title MAINBOARD G-FORCE		Module title P13006-D P13006-DA
Number P13006	Revision DAB	Previous page 1
Date 16-2-2009 19:04	Filename	Page / of 1 / 15



#### Unused Testpoints

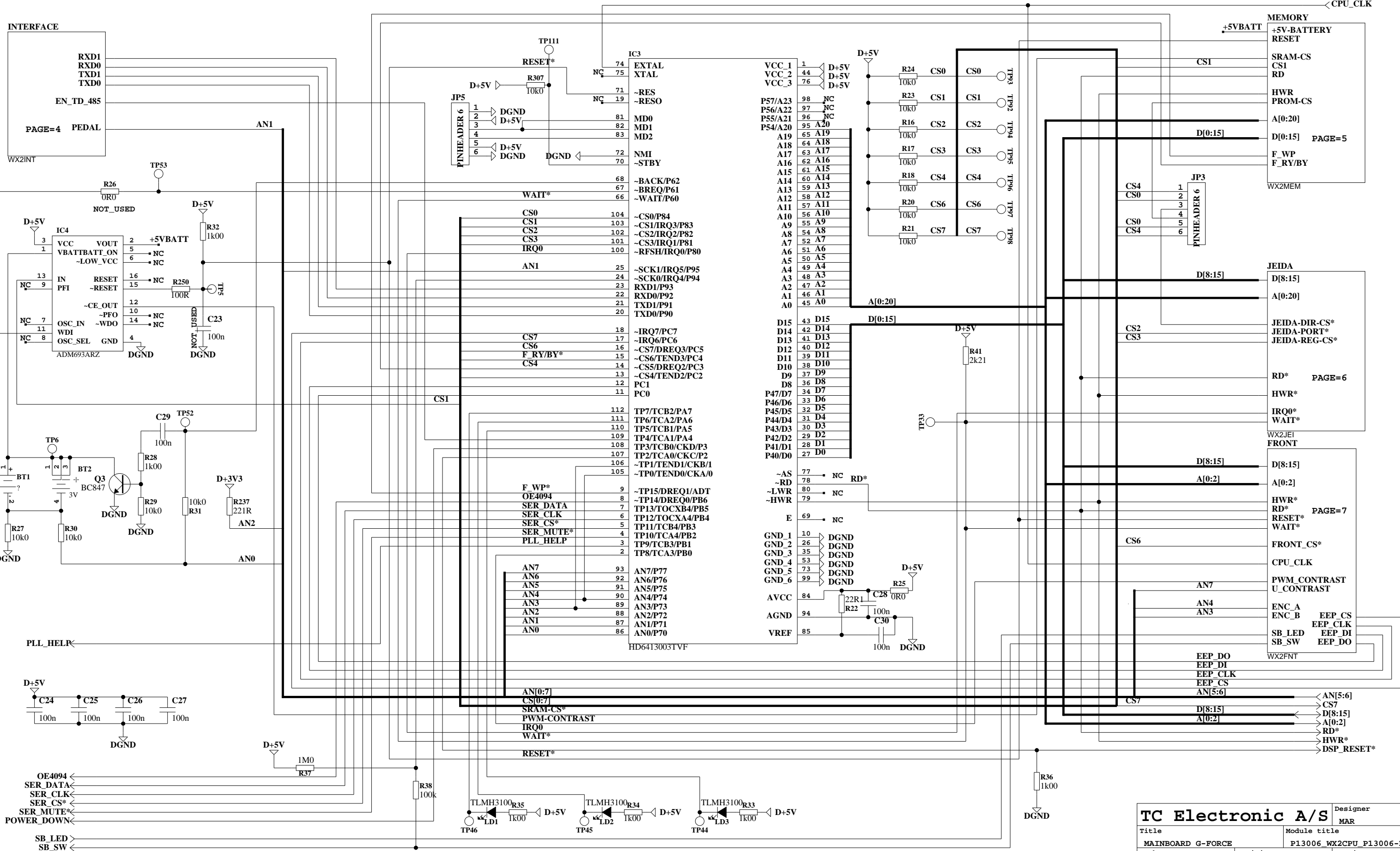
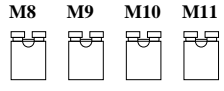


**TC Electronic A/S** Designer  
MAR

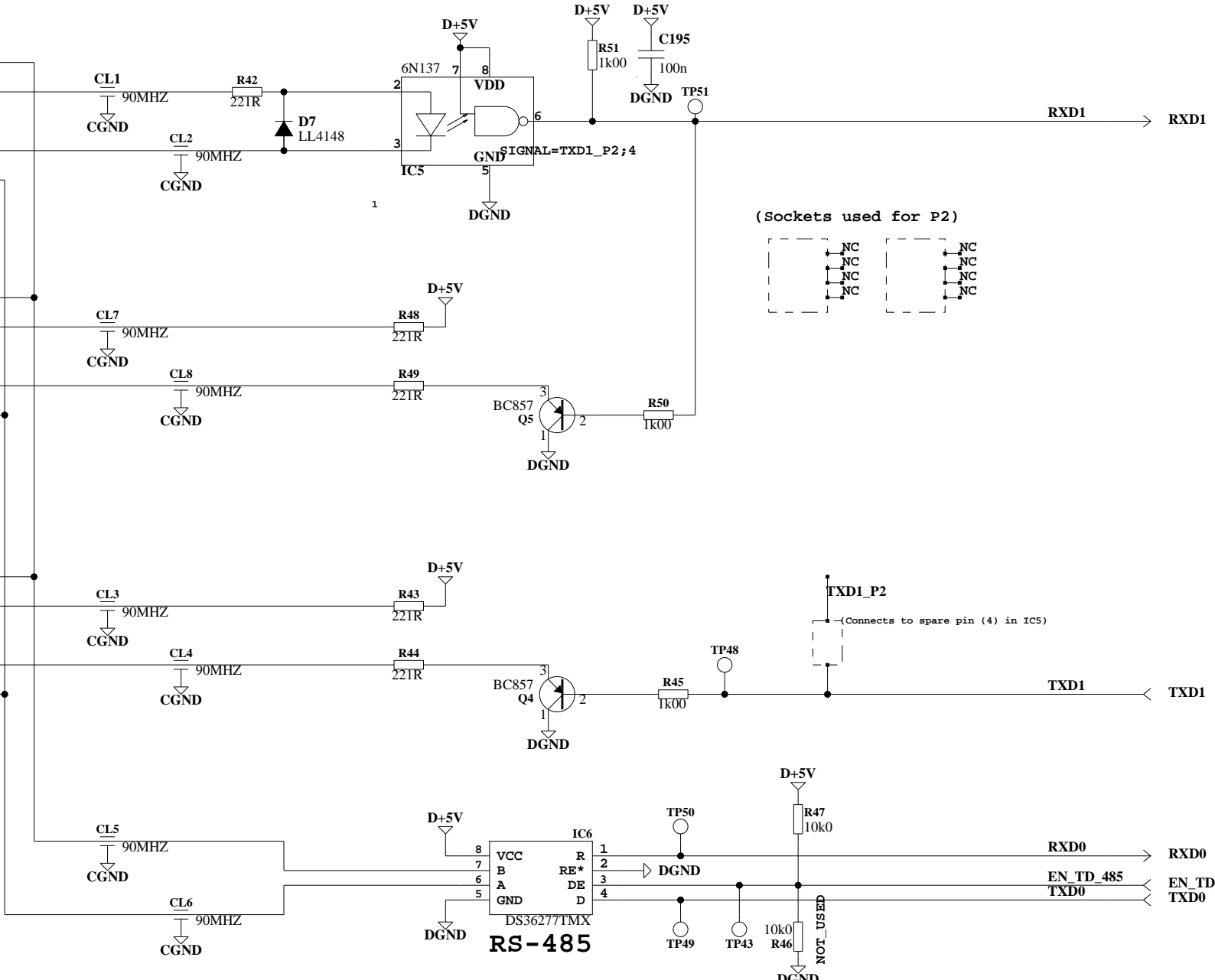
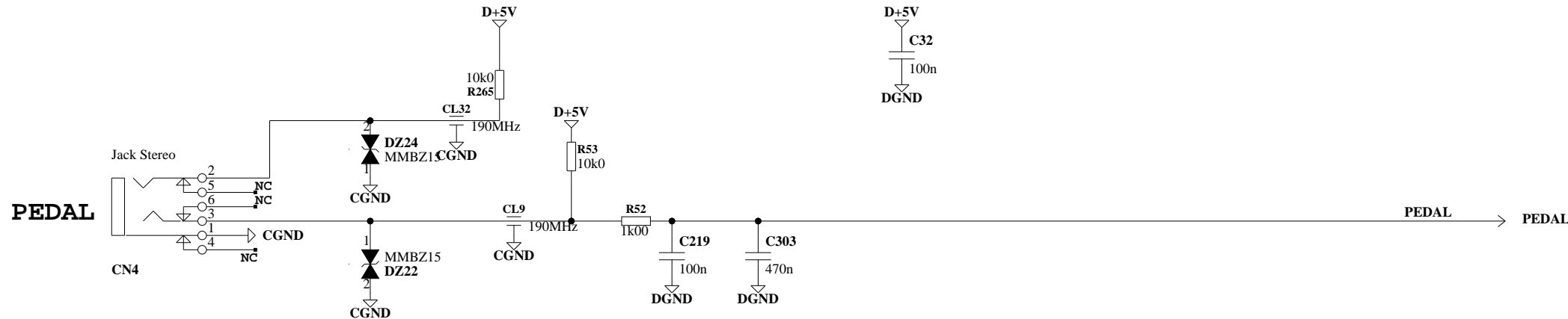
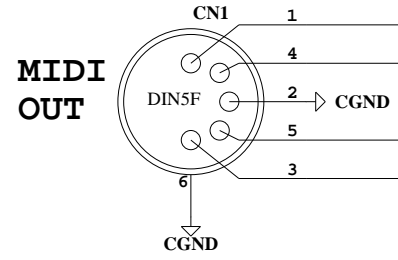
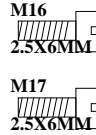
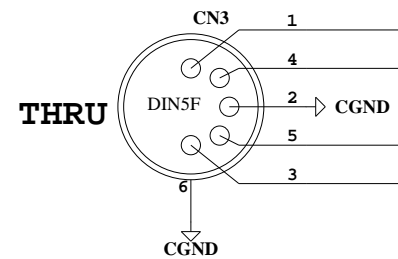
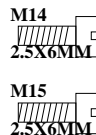
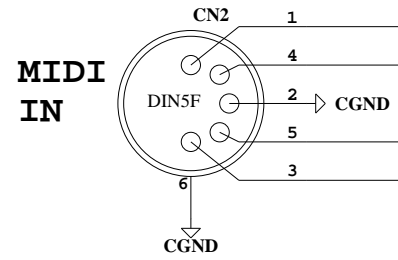
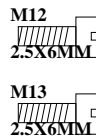
Title: MAINBOARD G-FORCE Module title: P13006\_WX2POW\_P13006-DA\_1

Number: P13006 Revision: DAB Previous page: 1

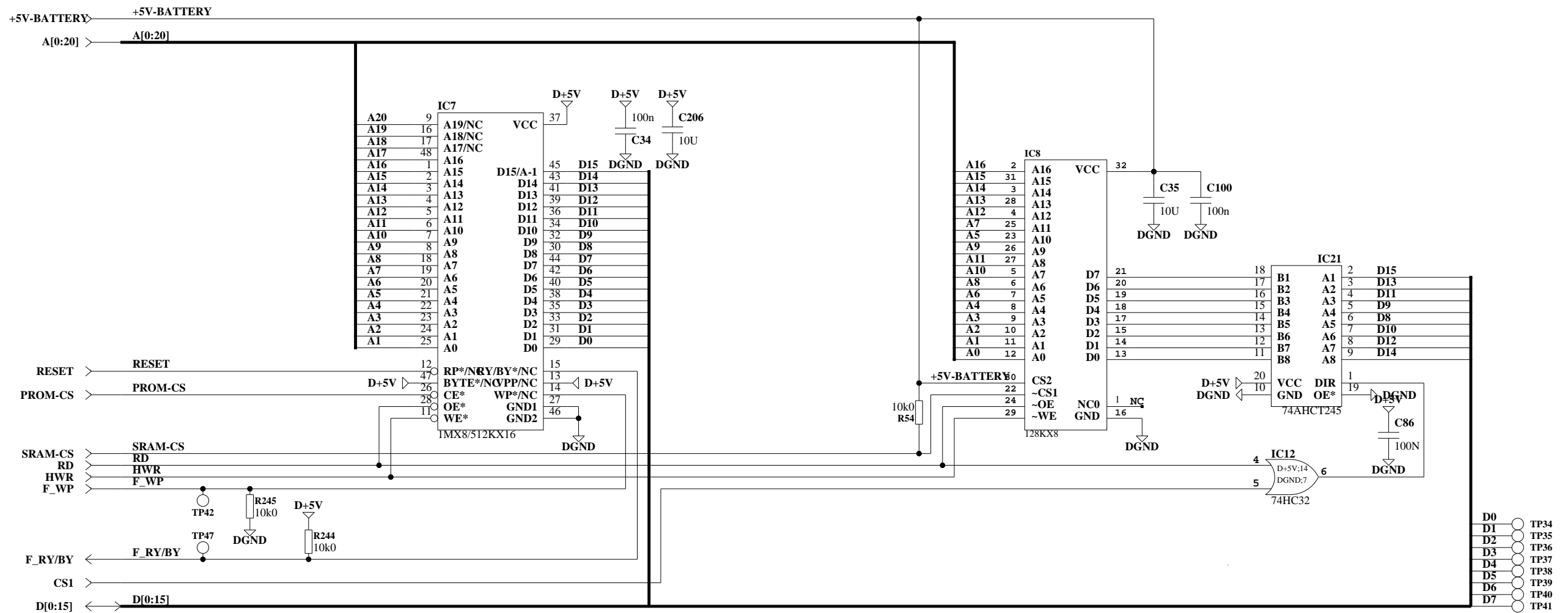
Date: 16-2-2009 19:05 Filename: Page / of: 2 / 15

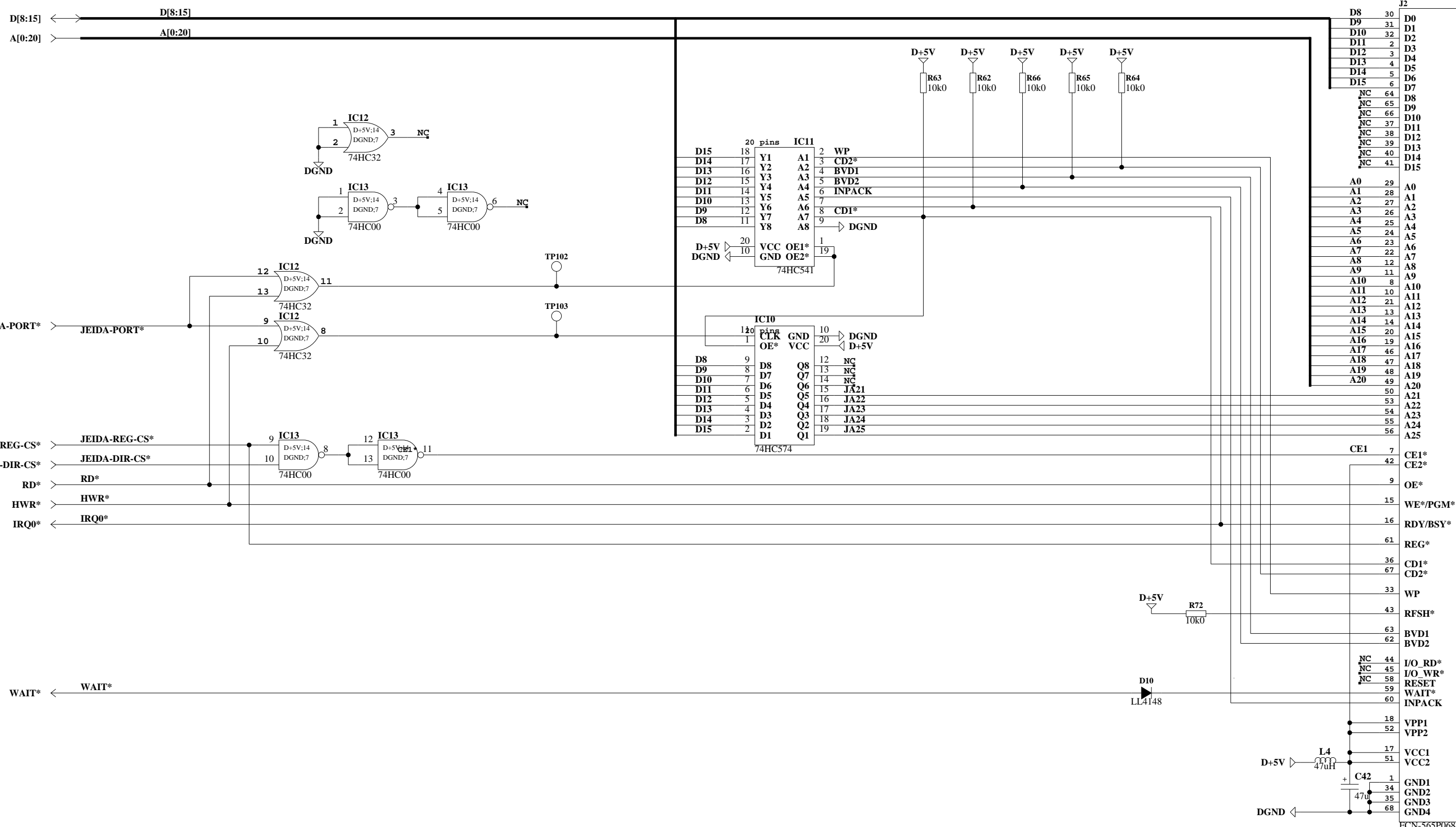


<b>TC Electronic A/S</b>		Designer MAR
Title MAINBOARD G-FORCE		Module title P13006_WX2CPU_P13006-DA_1
Number P13006	Revision DAB	Previous page 1
Date 16-2-2009 19:04	Filename	Page / of 3 / 15

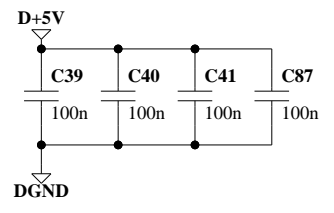
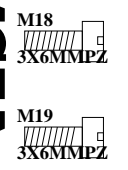


<b>TC Electronic A/S</b>		Designer MAR
Title MAINBOARD WIZARD 2 48KHZ		Module title P13006 WX2INT P13006-DA_1
Number P13006	Revision DAA	Previous page 1
Date 16-2-2009 18:08	Filename	Page / of 4 / 15



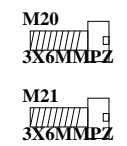
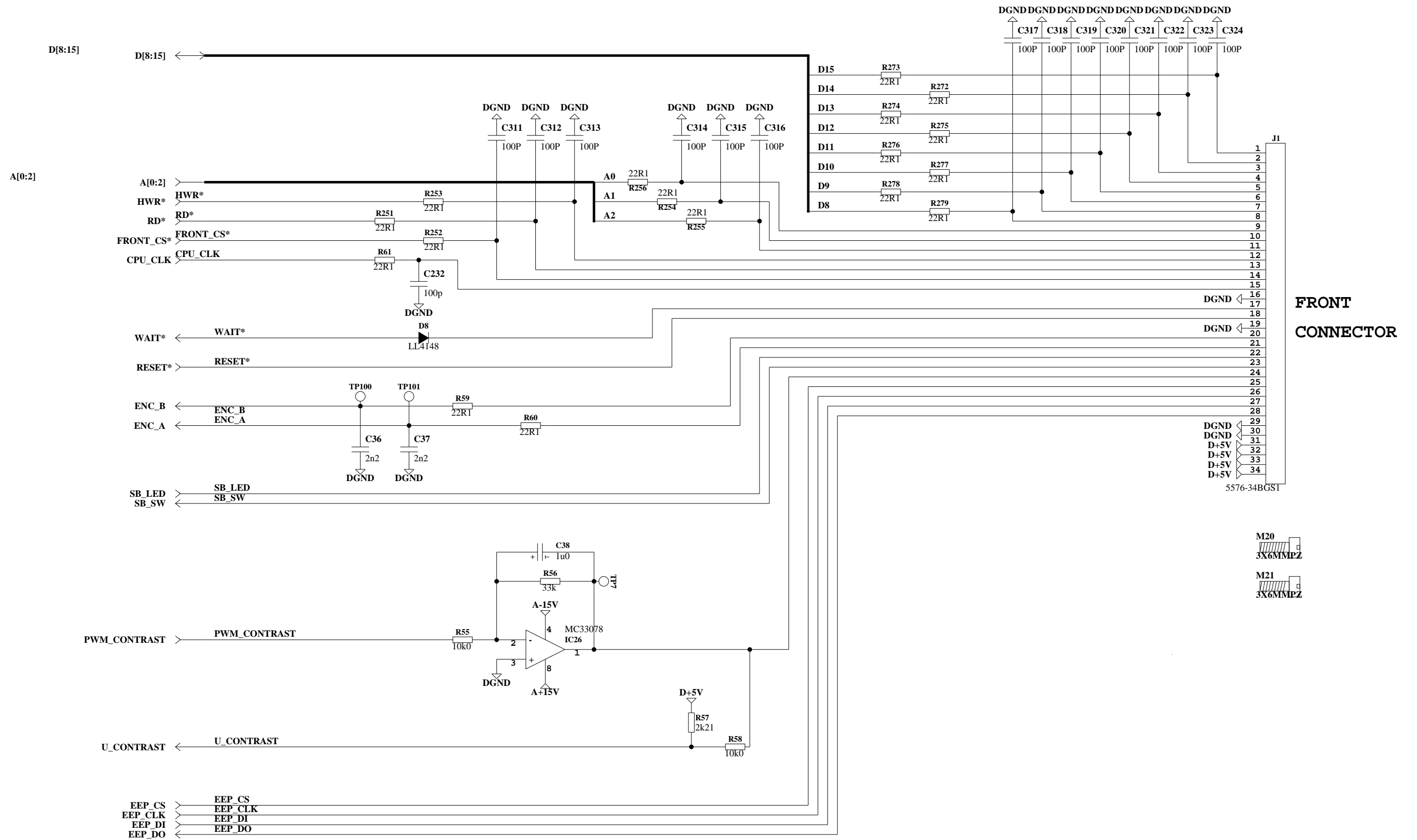


**PCMCIA Type I**

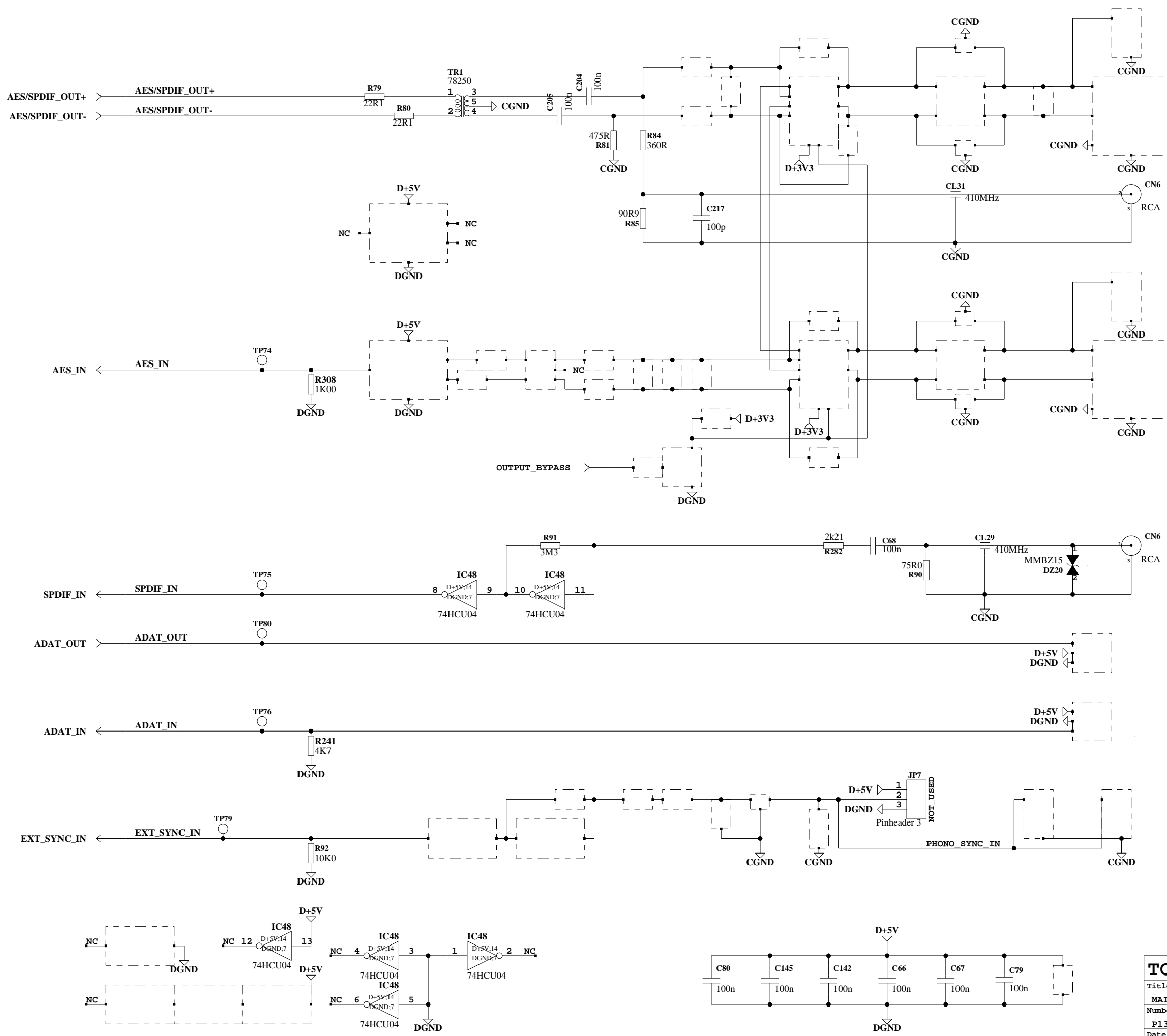


FCN-565P068-G/C-V4

<b>TC Electronic A/S</b>		Designer MAR
Title MAINBOARD WIZARD 2 48KHZ	Module title P13006 WX2JEI P13006-DA_1	
Number "DRMAX MAIN BOARD" P13006	Revision DAA	Previous page 1
Date 16-2-2009 18:08	Filename	Page / of 6 / 15



<b>TC Electronic A/S</b>		Designer MAR
Title MAINBOARD WIZARD 2 48KHZ	Module title P13006 WX2FNT P13006-DA_1	
Number P13006	Revision DAA	Previous page 1
Date 16-2-2009 18:08	Filename	Page / of 7 / 15



Optional AES3id  
BNC OUT

AES/EBU  
XLR OUT

S/PDIF  
RCA PHONO OUT

Optional AES3id  
BNC IN

AES/EBU  
XLR IN

S/PDIF  
RCA PHONO IN

ADAT  
OPTO OUT

ADAT  
OPTO IN

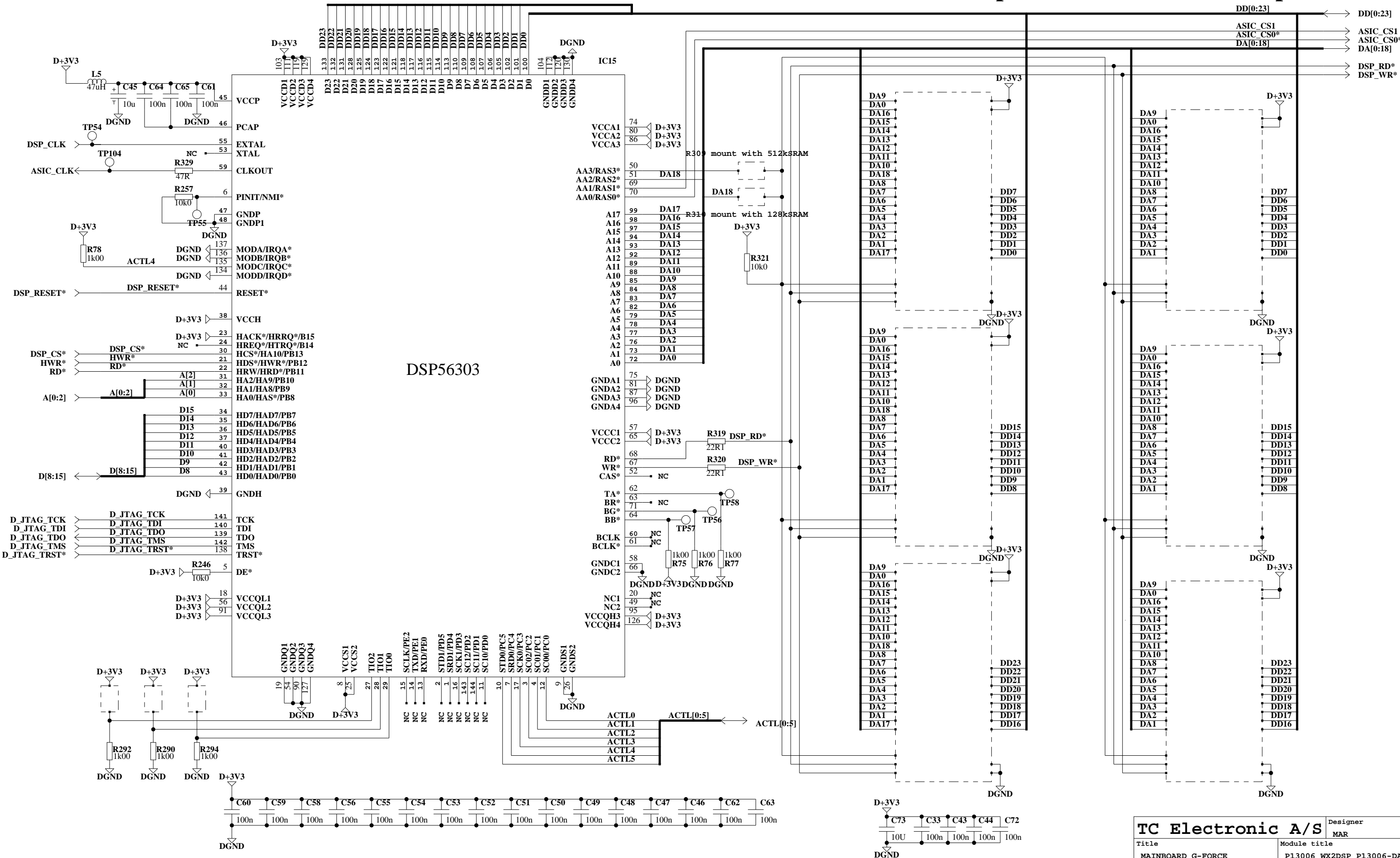
SYNC IN

<b>TC Electronic A/S</b>		Designer MAR
Title MAINBOARD G-FORCE		Module title P13006 WX2DGI P13006-DA_1
Number P13006	Revision DAB	Previous page 1
Date 16-2-2009 19:04	Filename	Page / of 8 / 15

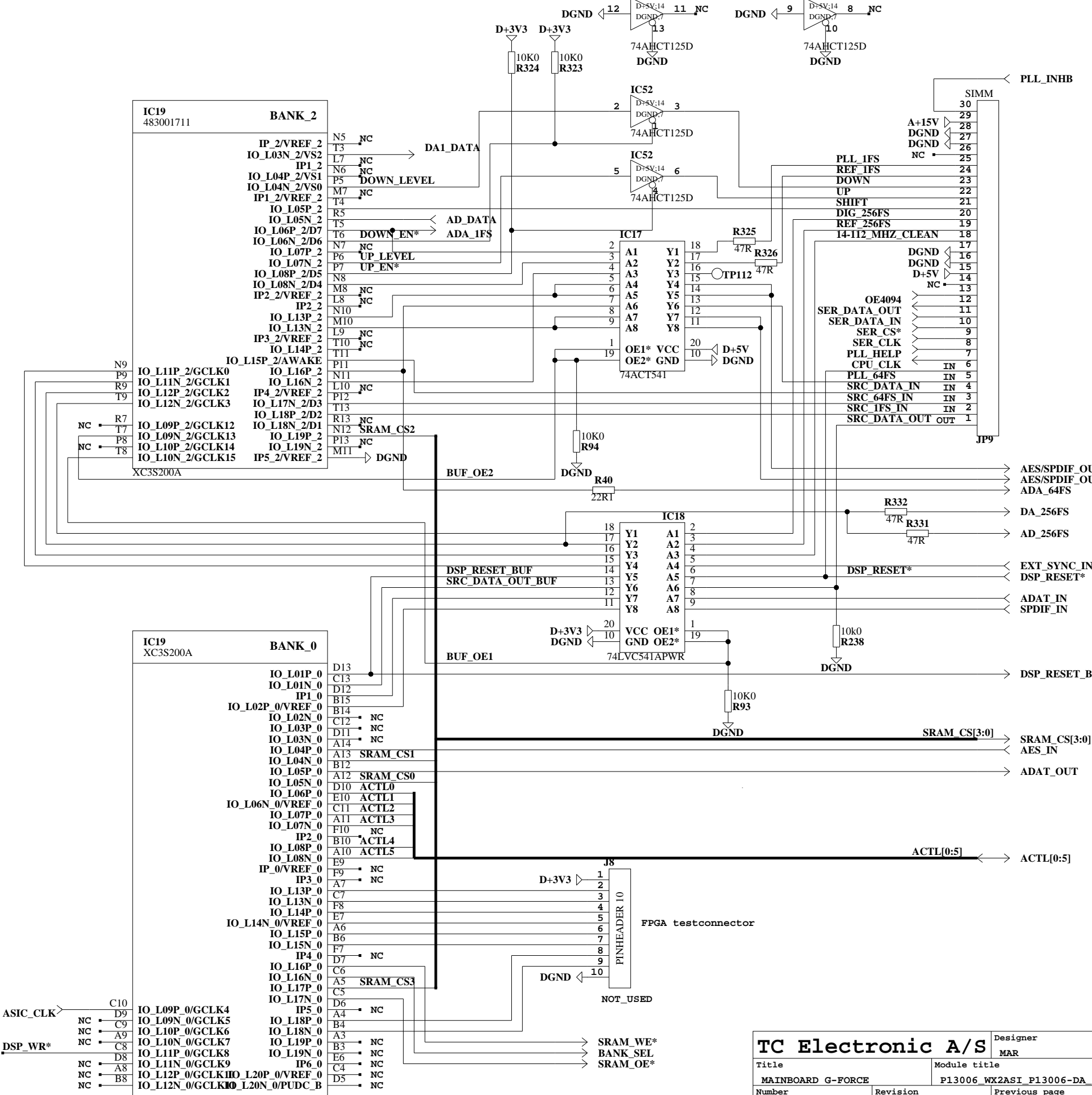
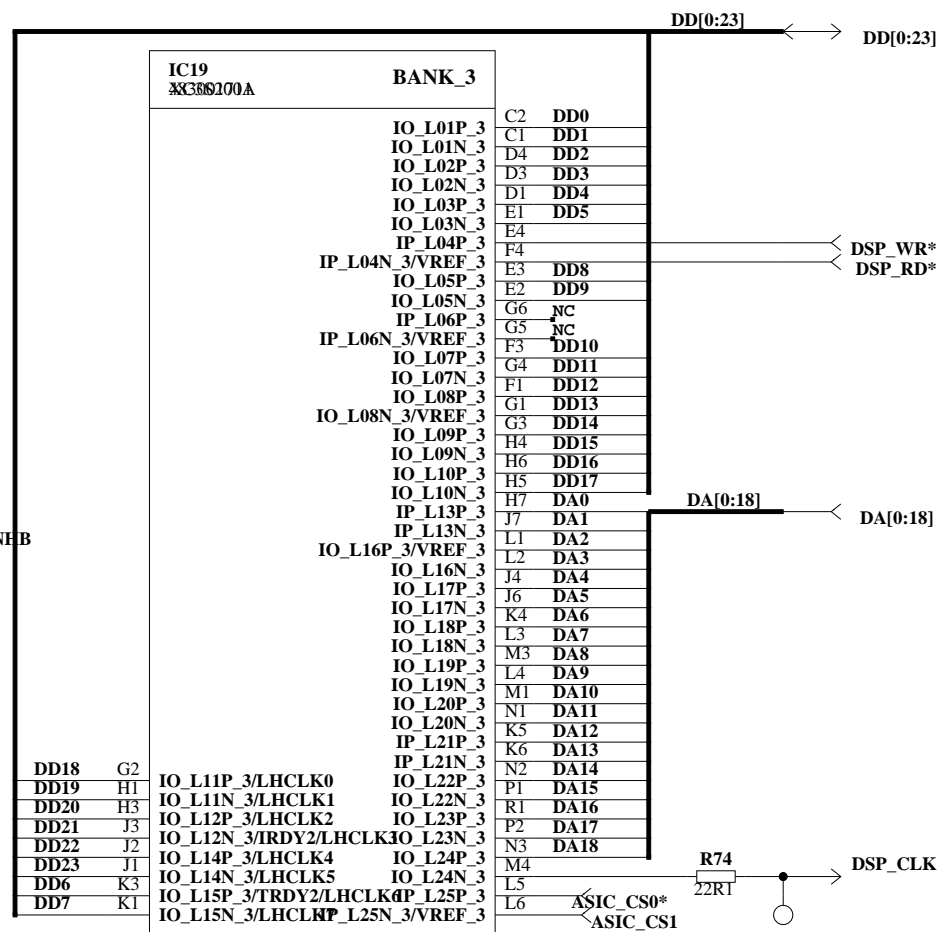
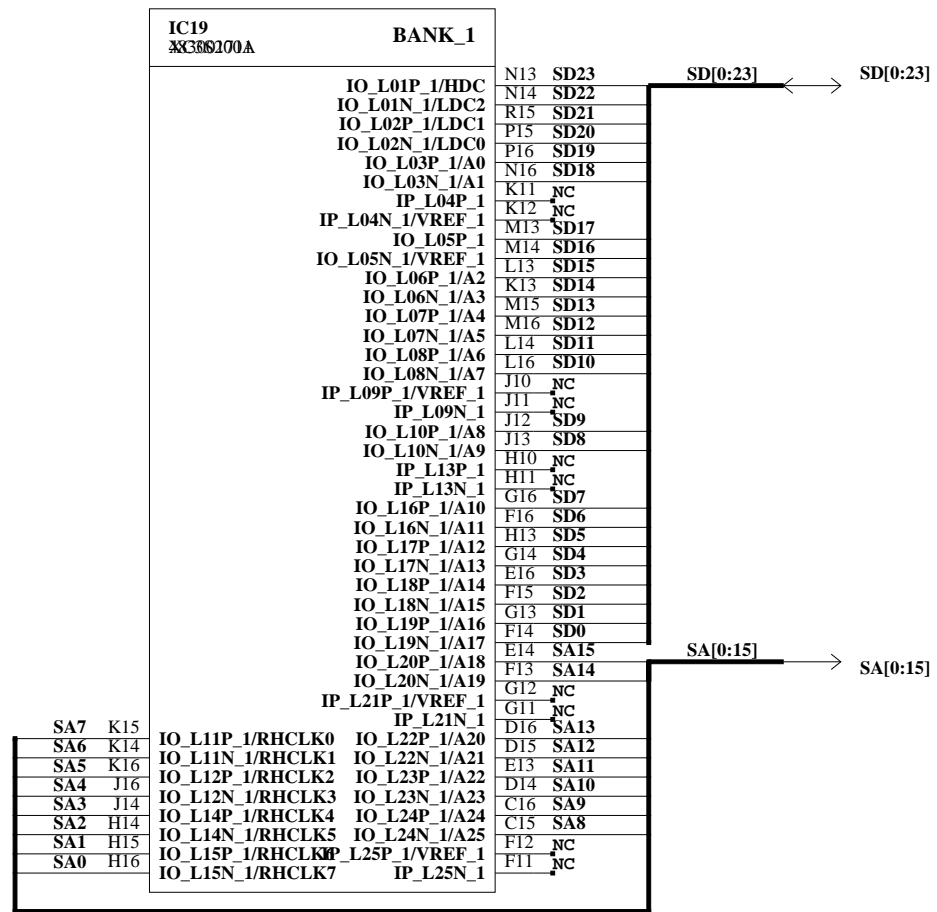


# 512k SRAM option

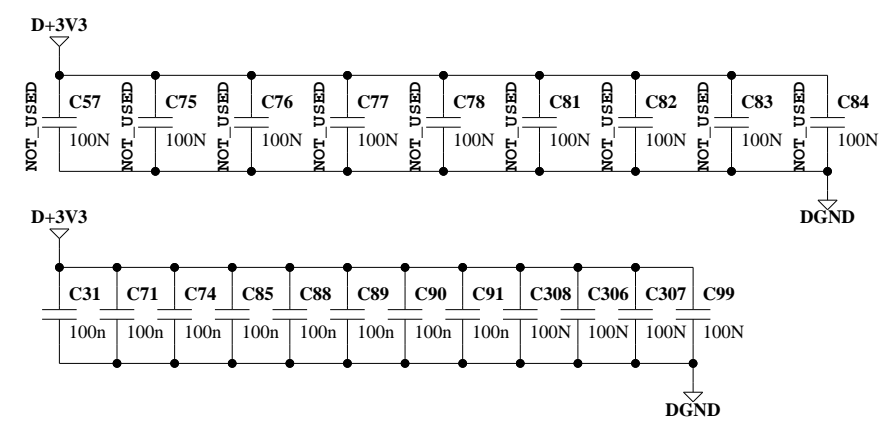
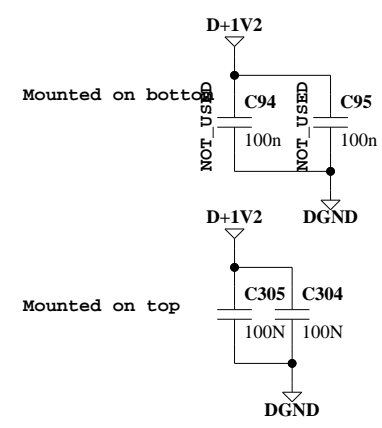
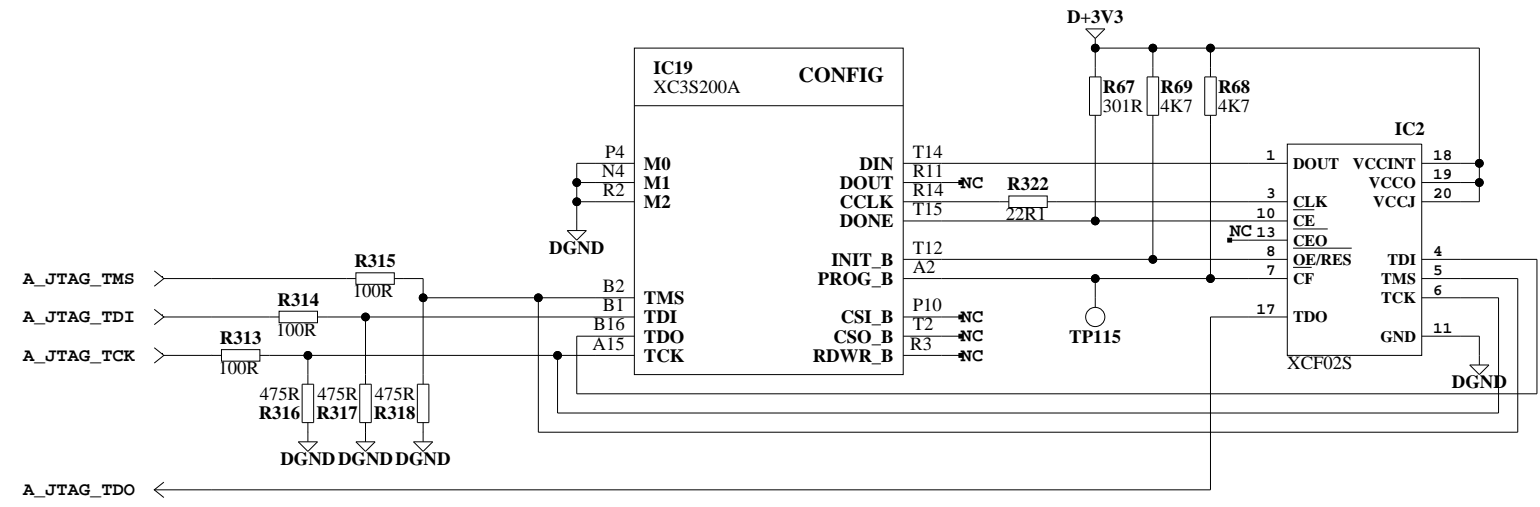
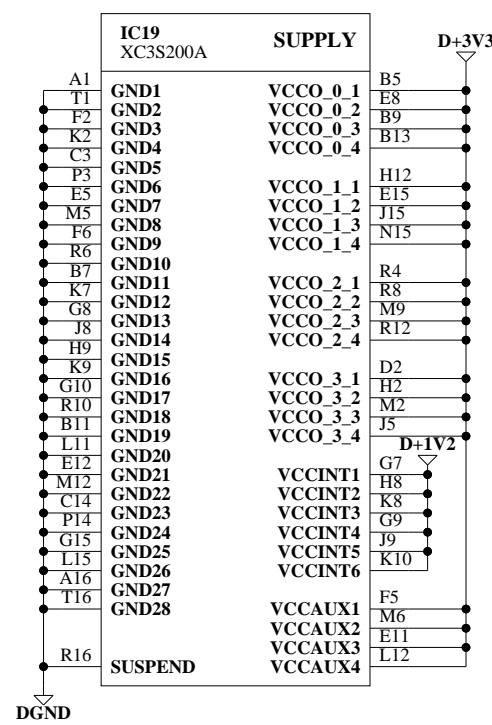
# 128k SRAM option



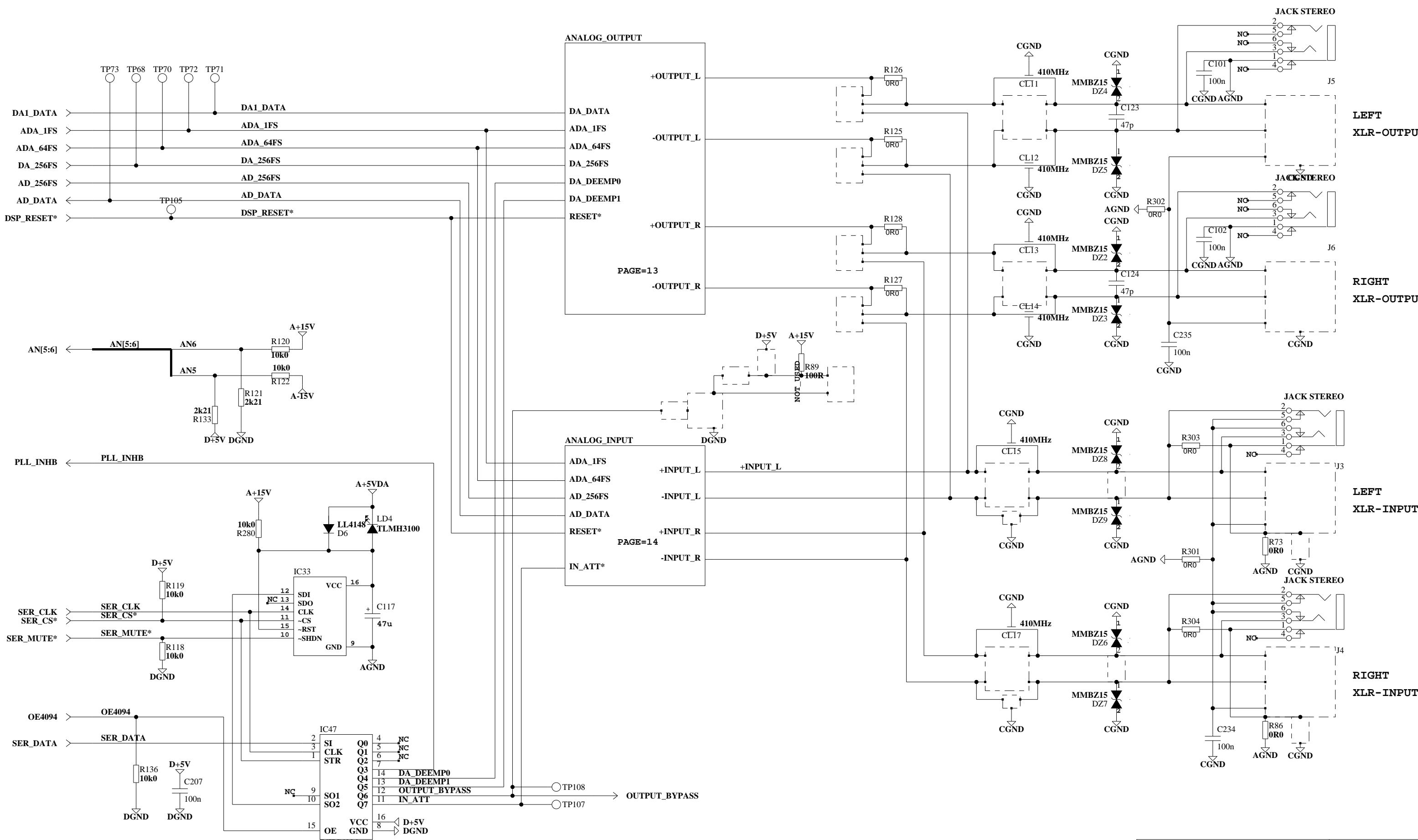
<b>TC Electronic A/S</b>		Designer MAR
Title MAINBOARD G-FORCE		Module title P13006 WX2DSP P13006-DA_1
Number P13006	Revision DAB	Previous page 1
Date 16-2-2009 19:05	Filename	Page / of 9 / 15



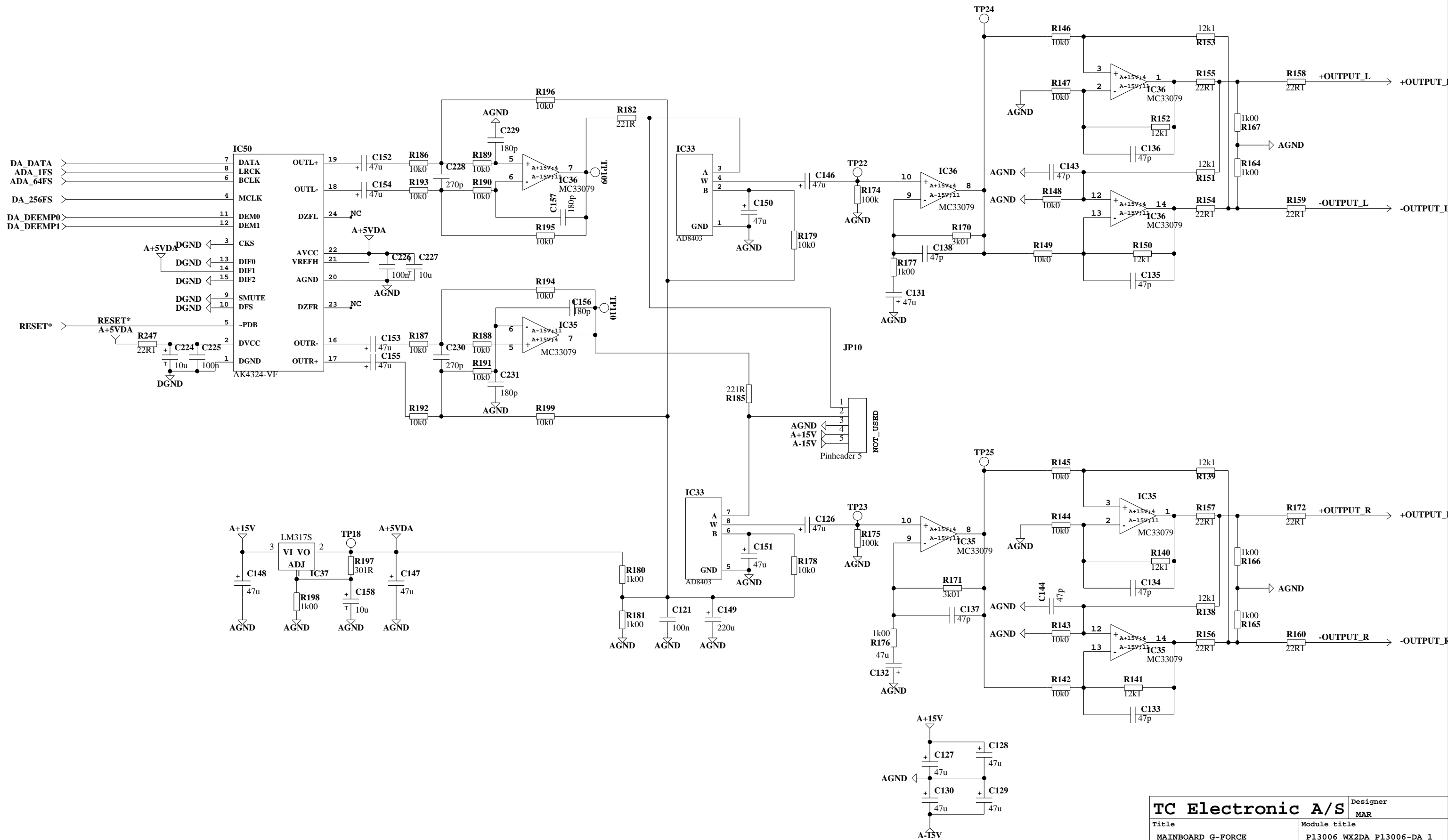
<b>TC Electronic A/S</b>		Designer MAR
Title MAINBOARD G-FORCE	Module title P13006_WX2ASI_P13006-DA_1	
Number P13006	Revision DAB	Previous page 1
Date 16-2-2009 19:04	Filename	Page / of 10 / 15



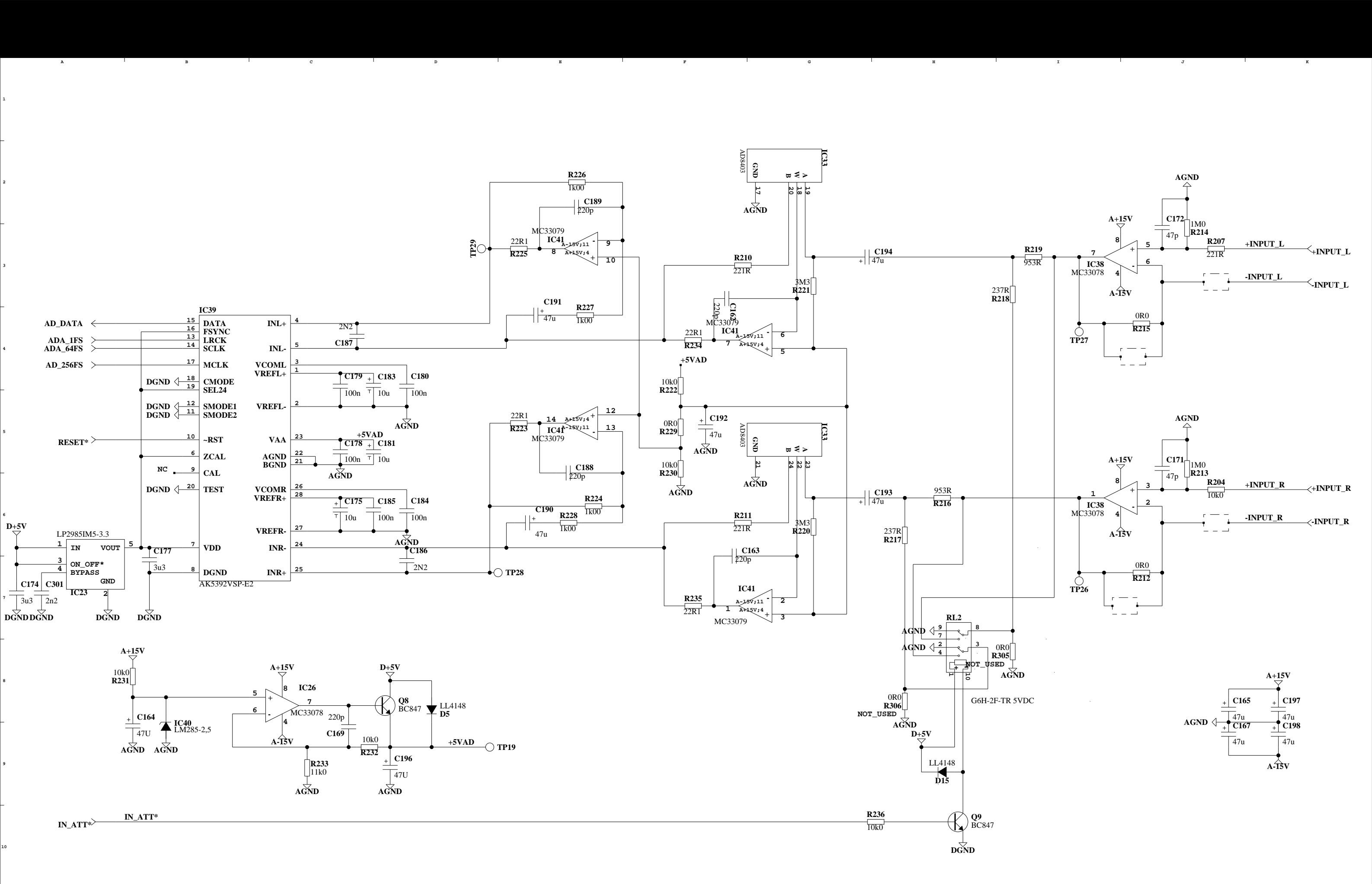
<b>TC Electronic A/S</b>		Designer MAR
Title MAINBOARD G-FORCE		Module title P13006 WX2ASI P13006-DA_1
Number P13006	Revision DAB	Previous page 1
Date 16-2-2009 19:04	Filename	Page / of 11 / 15



<b>TC Electronic A/S</b>		Designer MAR
Title MAINBOARD G-FORCE		Module title P13006 WX2ADA P13006-DA_1
Number P13006	Revision DAB	Previous page 1
Date 16-2-2009 19:05	Filename	Page / of 12 / 15



TC Electronic A/S		Designer
Title		MAR
Module title		
MAINBOARD G-FORCE		P13006_WX2DA_P13006-DA_1
Number	Revision	Previous page
P13006	DAB	1
Date	Filename	Page / of
16-2-2009 19:05		13 / 15



<b>TC Electronic A/S</b>		Designer MAR
Title MAINBOARD G-FORCE		Module title P13006 WX2AD P13006-DA_1
Number P13006	Revision DAB	Previous page 1
Date 16-2-2009 19:05	Filename	Page / of 14 / 15

