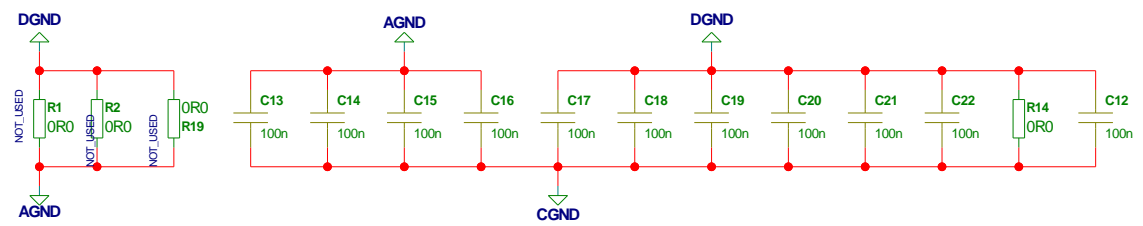
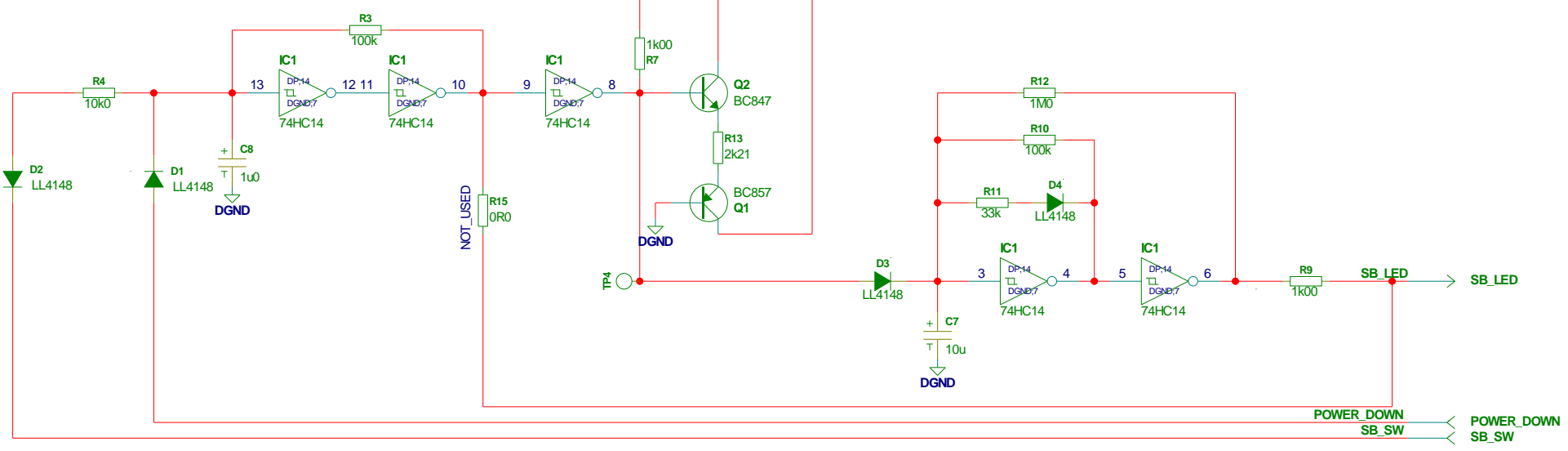
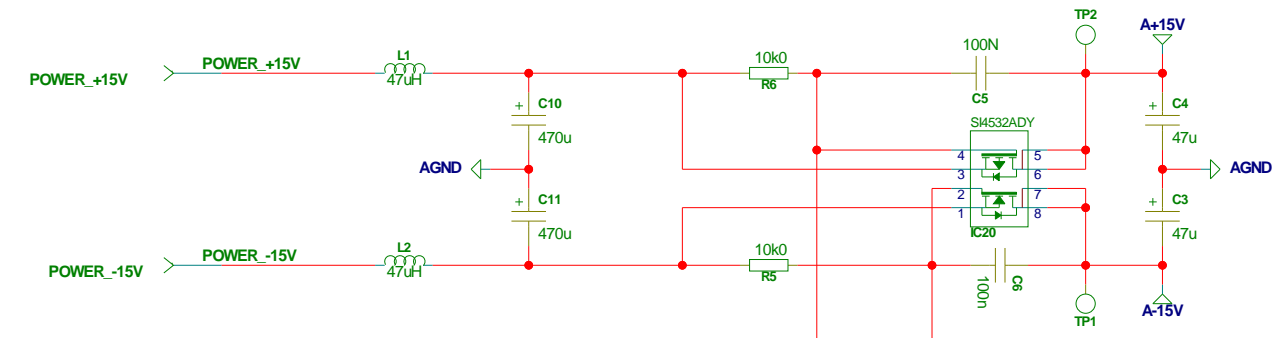
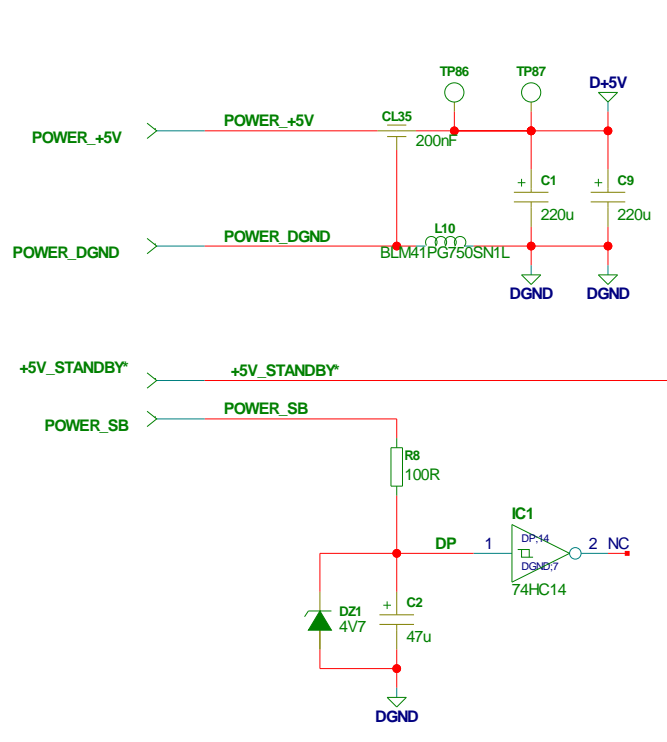
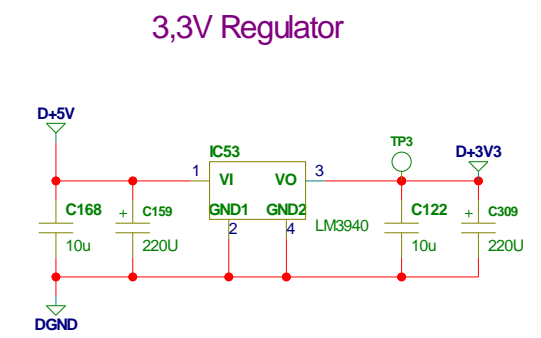
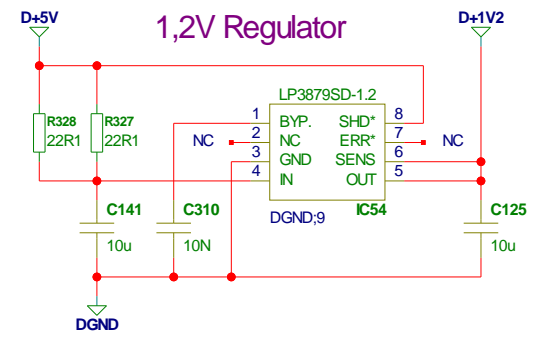
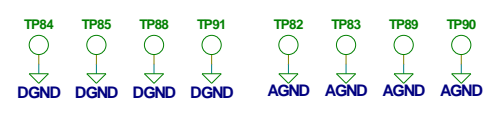
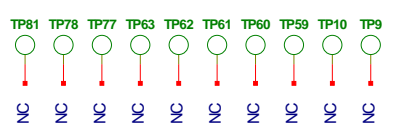


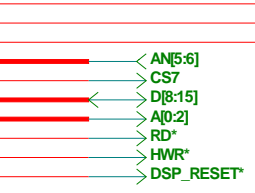
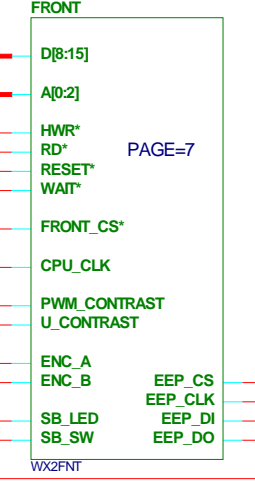
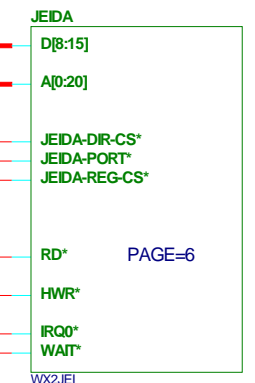
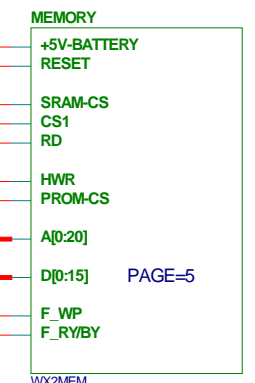
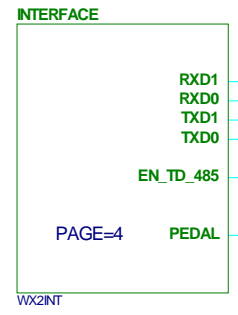
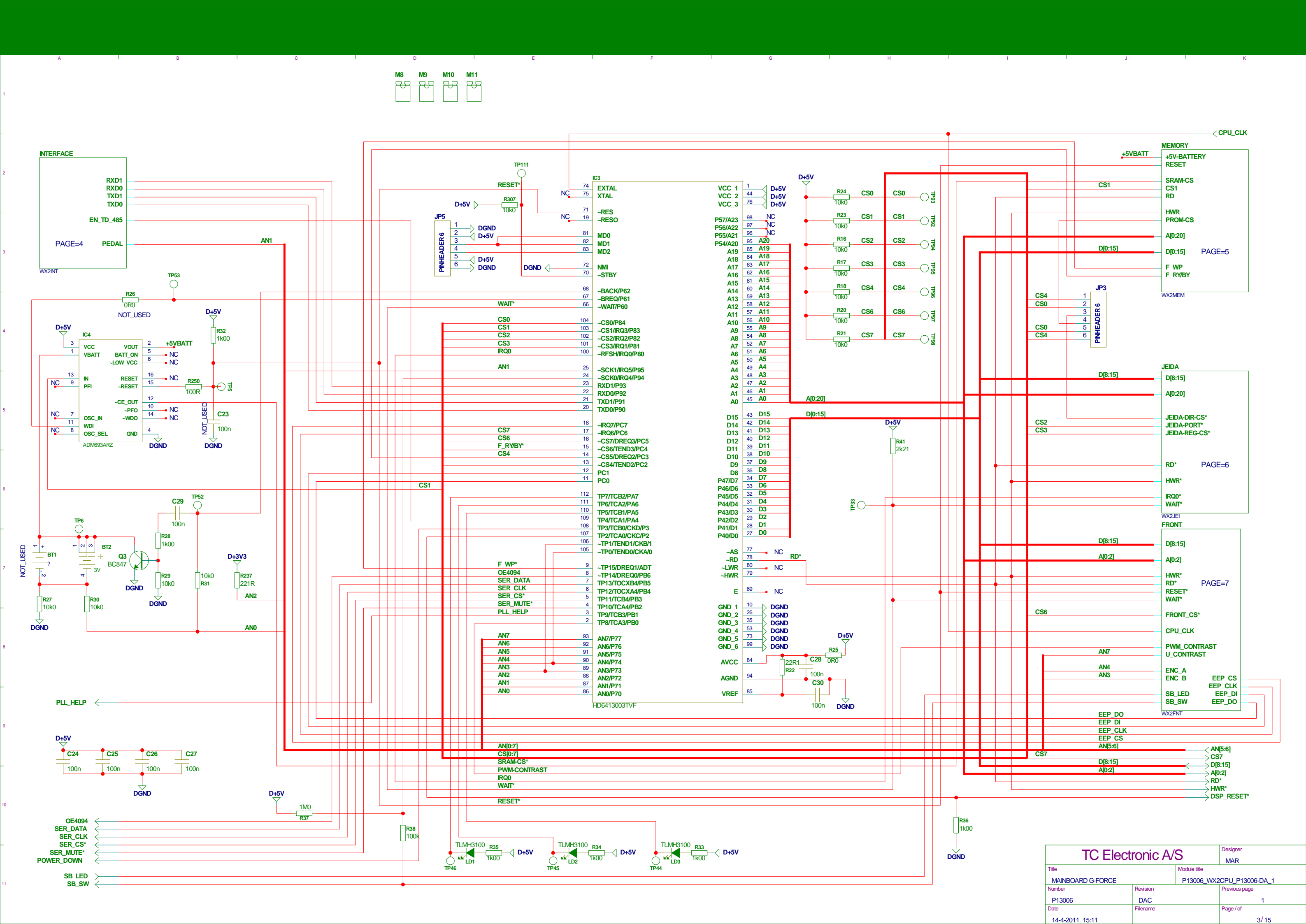
TC Electronic A/S		Designer MAR
Title MAINBOARD G-FORCE		Module title P13006-D_P13006-DA
Number P13006	Revision DAC	Previous page 1
Date 19-4-2011_11:22	Filename	Page / of 1 / 15



Unused Testpoints



TC Electronic A/S		Designer MAR
Title MAINBOARD G-FORCE	Module title P13006_WX2POW_P13006-DA_1	
Number P13006	Revision DAC	Previous page 1
Date 14-4-2011_15:11	Filename P13006_WX2POW_P13006-DA_1	Page / of 2 / 15



74	EXTAL	74	EXTAL
75	XTAL	75	XTAL
71	-RES	71	-RES
19	-RESO	19	-RESO
81	MD0	81	MD0
82	MD1	82	MD1
83	MD2	83	MD2
72	NMI	72	NMI
70	-STBY	70	-STBY
68	-BACK/P62	68	-BACK/P62
67	-BREQ/P61	67	-BREQ/P61
66	-WAIT/P60	66	-WAIT/P60
104	-CS0/P84	104	-CS0/P84
103	-CS1/RQ3/P83	103	-CS1/RQ3/P83
102	-CS2/RQ2/P82	102	-CS2/RQ2/P82
101	-CS3/RQ1/P81	101	-CS3/RQ1/P81
100	-RFSH/RQ0/P80	100	-RFSH/RQ0/P80
25	-SCK1/RQ5/P95	25	-SCK1/RQ5/P95
24	-SCK0/RQ4/P94	24	-SCK0/RQ4/P94
23	RXD1/P93	23	RXD1/P93
22	RXD0/P92	22	RXD0/P92
21	TXD1/P91	21	TXD1/P91
20	TXD0/P90	20	TXD0/P90
18	-IRQ7/PC7	18	-IRQ7/PC7
17	-IRQ6/PC6	17	-IRQ6/PC6
16	-CS7/DREQ3/PC5	16	-CS7/DREQ3/PC5
15	-CS6/TEND3/PC4	15	-CS6/TEND3/PC4
14	-CS5/DREQ2/PC3	14	-CS5/DREQ2/PC3
13	-CS4/TEND2/PC2	13	-CS4/TEND2/PC2
12	PC1	12	PC1
11	PC0	11	PC0
112	TP7/TCB2/PA7	112	TP7/TCB2/PA7
111	TP6/TCA2/PA6	111	TP6/TCA2/PA6
110	TP5/TCB1/PA5	110	TP5/TCB1/PA5
109	TP4/TCA1/PA4	109	TP4/TCA1/PA4
108	TP3/TCB0/CKD/P3	108	TP3/TCB0/CKD/P3
107	TP2/TCA0/CKD/P2	107	TP2/TCA0/CKD/P2
106	-TP1/TEND1/CKB1	106	-TP1/TEND1/CKB1
105	-TP0/TEND0/CKA0	105	-TP0/TEND0/CKA0
9	-TP15/DREQ1/ADT	9	-TP15/DREQ1/ADT
8	-TP14/DREQ0/PB6	8	-TP14/DREQ0/PB6
7	TP13/TOCXB4/PB5	7	TP13/TOCXB4/PB5
6	TP12/TOCXA4/PB4	6	TP12/TOCXA4/PB4
5	TP11/TCB4/PB3	5	TP11/TCB4/PB3
4	TP10/TCA4/PB2	4	TP10/TCA4/PB2
3	TP9/TCB3/PB1	3	TP9/TCB3/PB1
2	TP8/TCA3/PB0	2	TP8/TCA3/PB0
93	AN7/P77	93	AN7/P77
92	AN6/P76	92	AN6/P76
91	AN5/P75	91	AN5/P75
90	AN4/P74	90	AN4/P74
89	AN3/P73	89	AN3/P73
88	AN2/P72	88	AN2/P72
87	AN1/P71	87	AN1/P71
86	AN0/P70	86	AN0/P70

1	VCC_1	1	VCC_1
44	VCC_2	44	VCC_2
76	VCC_3	76	VCC_3
98	NC	98	NC
97	NC	97	NC
96	NC	96	NC
95	A20	95	A20
65	A19	65	A19
64	A18	64	A18
63	A17	63	A17
62	A16	62	A16
61	A15	61	A15
60	A14	60	A14
59	A13	59	A13
58	A12	58	A12
57	A11	57	A11
56	A10	56	A10
55	A9	55	A9
54	A8	54	A8
52	A7	52	A7
51	A6	51	A6
50	A5	50	A5
49	A4	49	A4
48	A3	48	A3
47	A2	47	A2
46	A1	46	A1
45	A0	45	A0
43	D15	43	D15
42	D14	42	D14
41	D13	41	D13
40	D12	40	D12
39	D11	39	D11
38	D10	38	D10
37	D9	37	D9
36	D8	36	D8
34	D7	34	D7
33	D6	33	D6
32	D5	32	D5
31	D4	31	D4
30	D3	30	D3
29	D2	29	D2
28	D1	28	D1
27	D0	27	D0
77	-AS	77	NC
78	-RD	78	NC
80	-LWR	80	NC
79	-HWR	79	NC
69	E	69	NC
10	GND_1	10	DGND
26	GND_2	26	DGND
35	GND_3	35	DGND
53	GND_4	53	DGND
73	GND_5	73	DGND
99	GND_6	99	DGND
84	AVCC	84	D+5V
94	AGND	94	DGND
85	VREF	85	DGND

TC Electronic A/S

Designer: MAR

Title: MAINBOARD G-FORCE

Module title: P13006_WX2CPU_P13006-DA_1

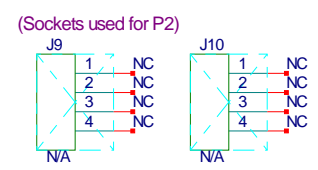
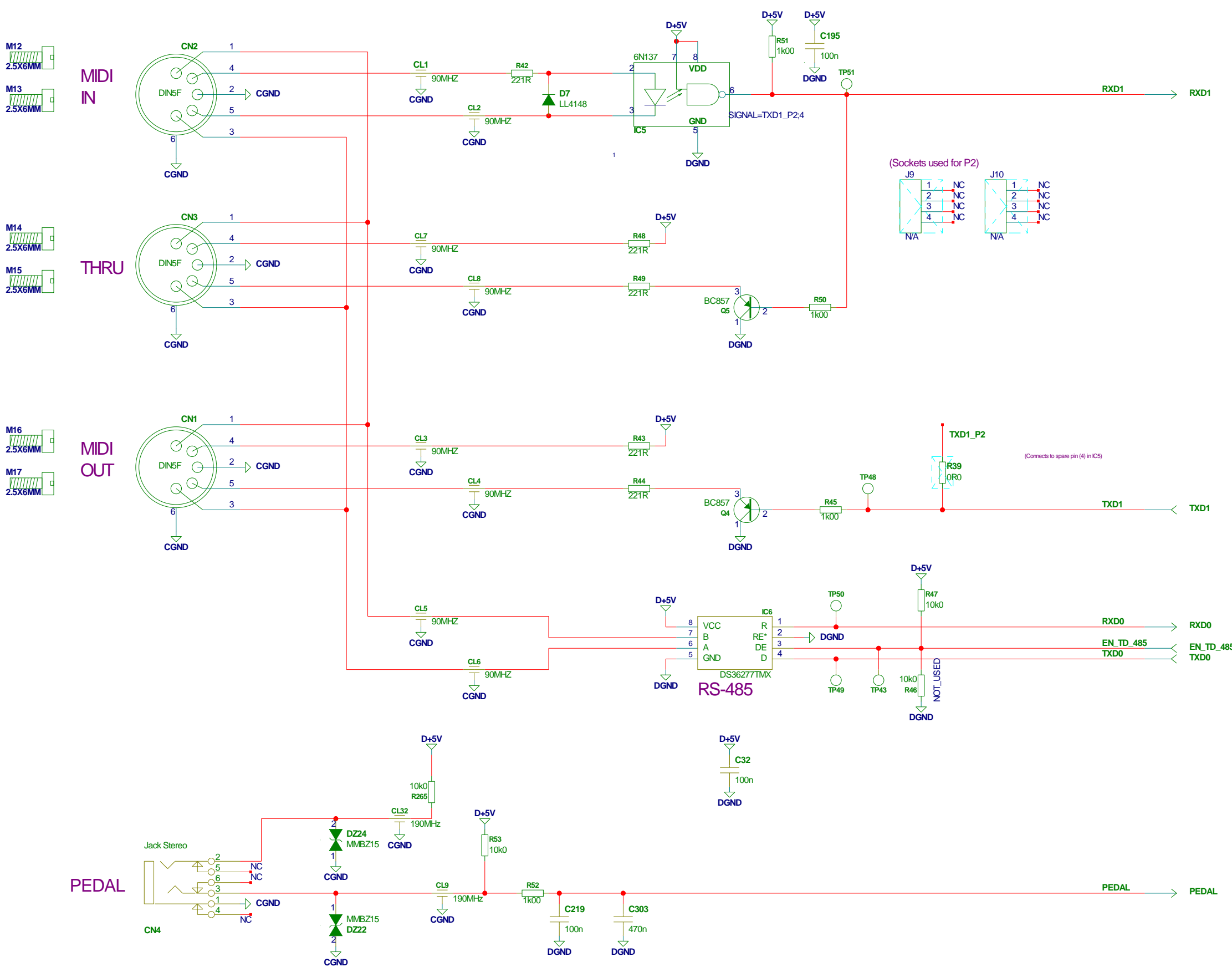
Number: P13006

Revision: DAC

Previous page: 1

Date: 14-4-2011_15:11

Page / of: 3 / 15



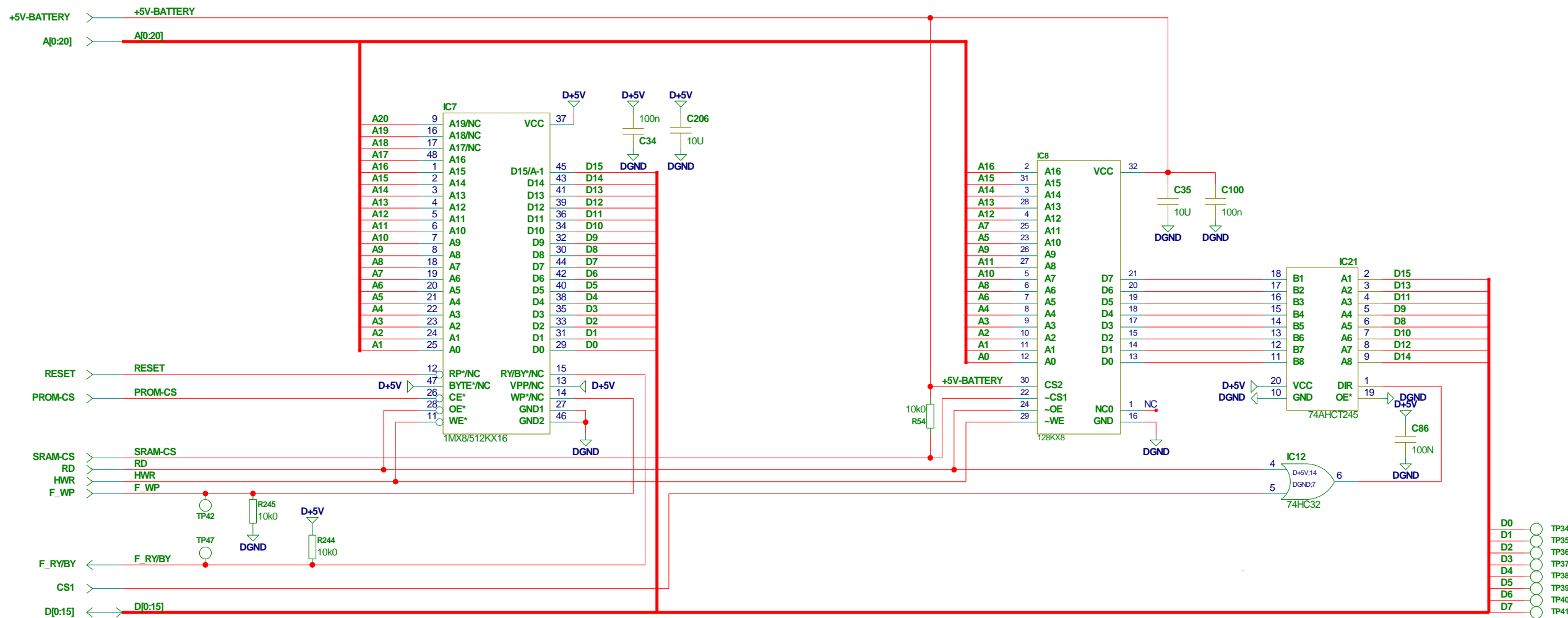
(Connects to spare pin (4) in IC5)

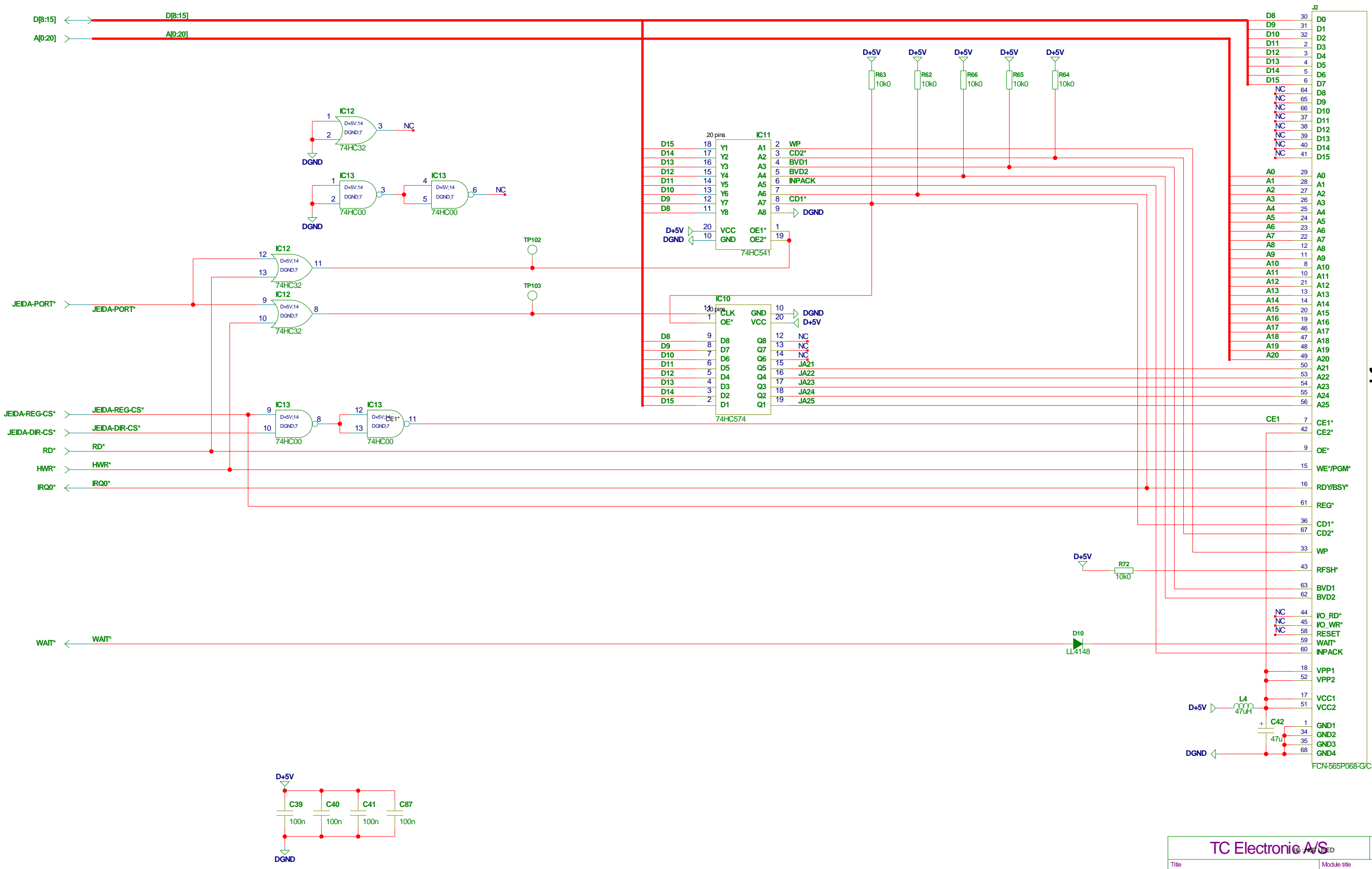
MIDI IN

THRU

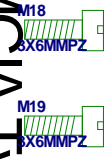
MIDI OUT

PEDAL



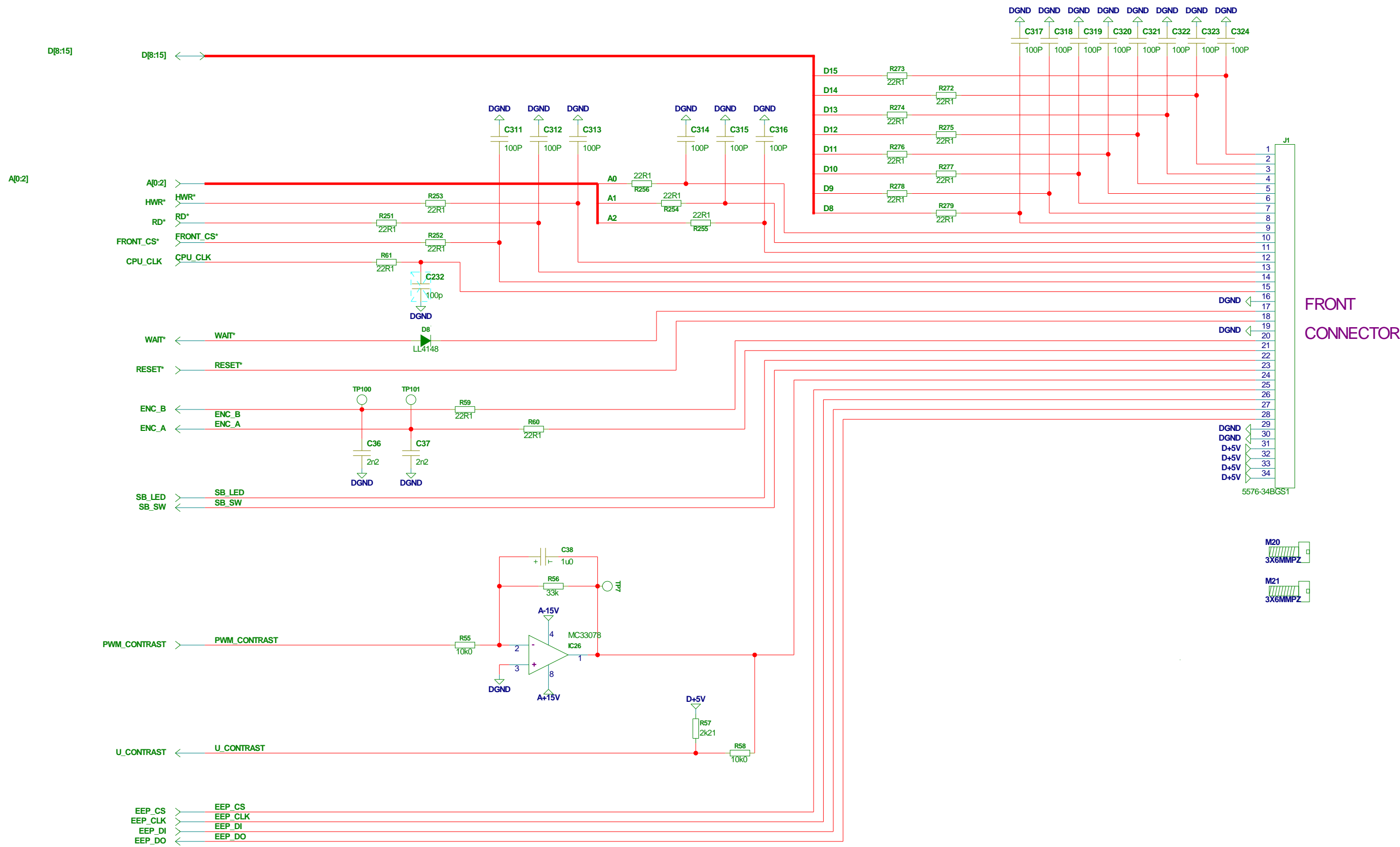


PCMCIA Type I

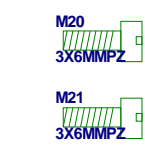


FCN-565P068-GC-V4

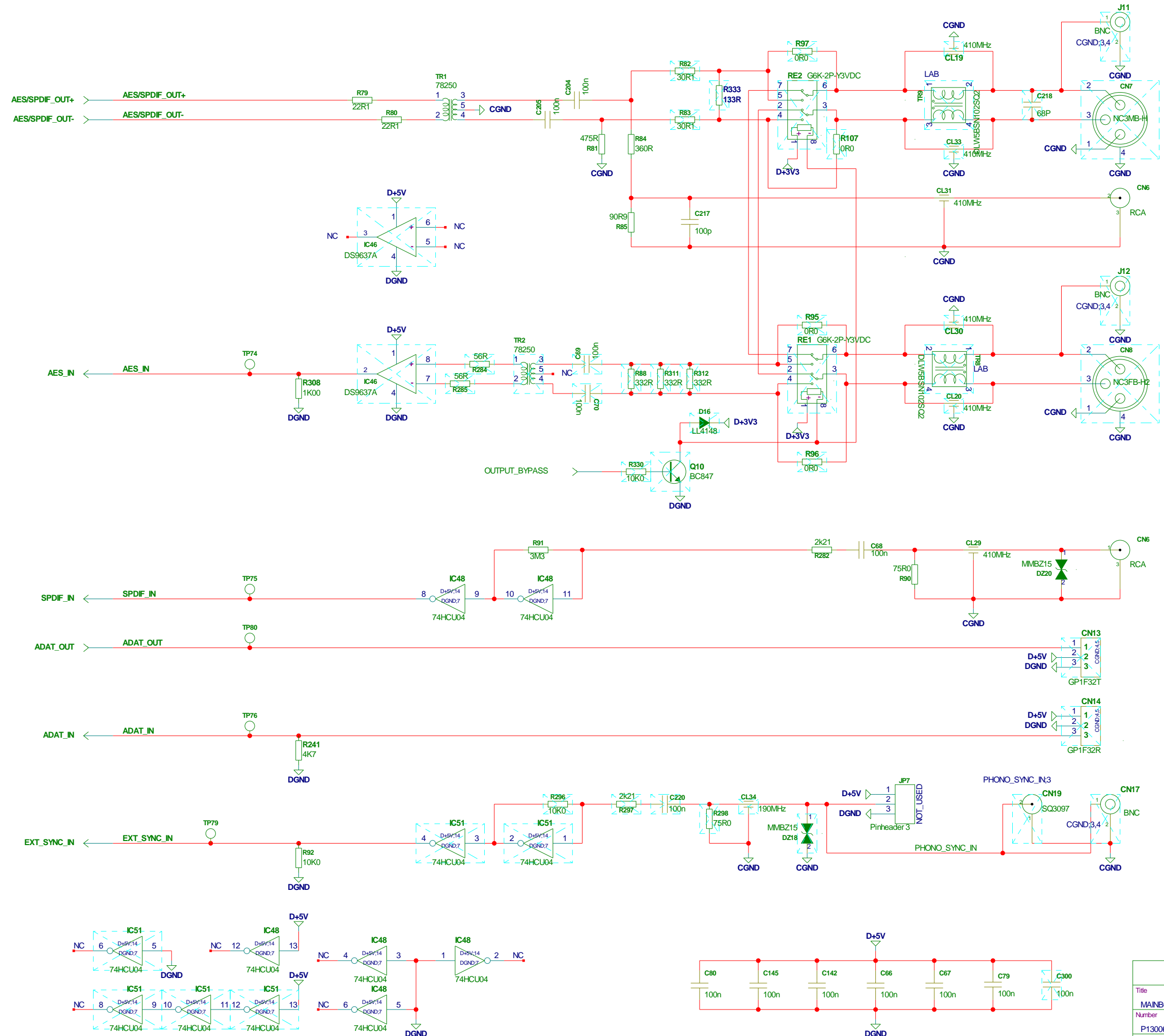
TC Electronic AS		Designer MAR
Title MAINBOARD G-FORCE		Module title P13006_WX2JEL_P13006-DA_1
Number "DBMX MAIN BOARD" P13006	Revision DAC	Previous page 3
Date 14-4-2011_15:11	Filename	Page / of 6 / 15



FRONT CONNECTOR



TC Electronic A/S		Designer MAR
Title MAINBOARD G-FORCE		Module title P13006_WX2FNT_P13006-DA_1
Number P13006	Revision DAC	Previous page 3
Date 14-4-2011_15:11	Filename	Page / of 7 / 15



Optional AES3id
BNC OUT

AES/EBU
XLR OUT

S/PDIF
RCA PHONO OUT

Optional AES3id
BNC IN

AES/EBU
XLR IN

S/PDIF
RCA PHONO IN

ADAT
OPTO OUT

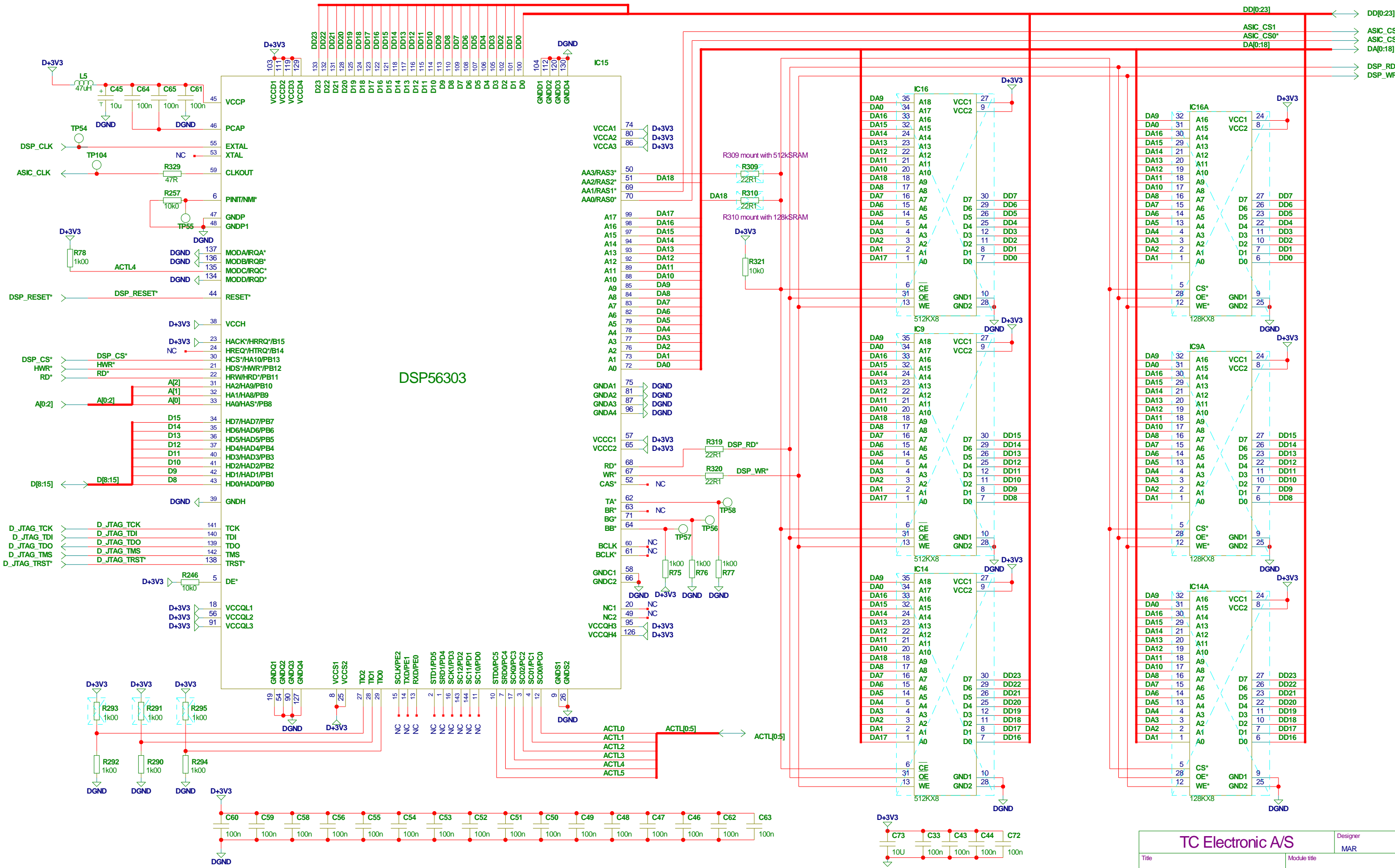
ADAT
OPTO IN

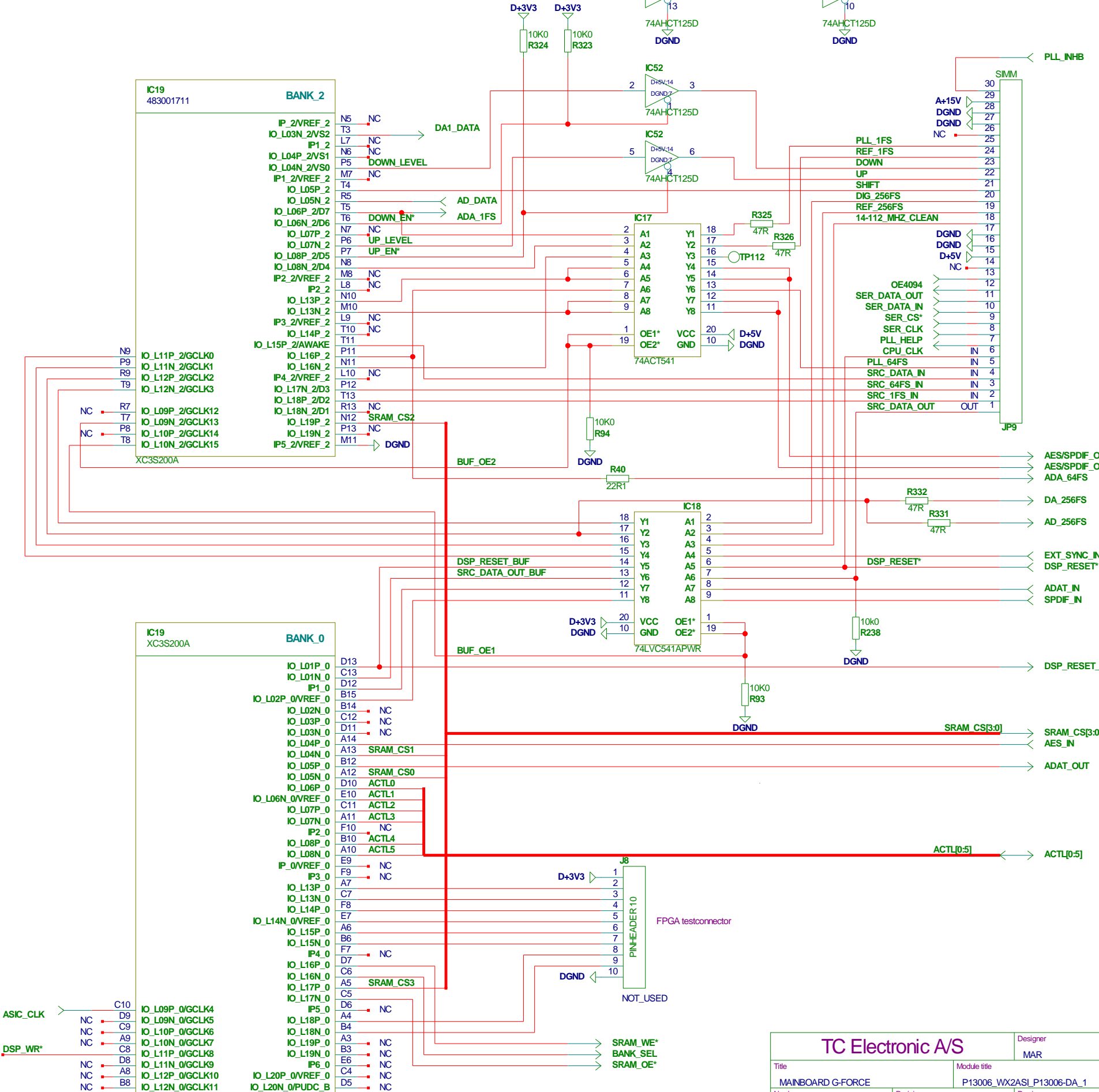
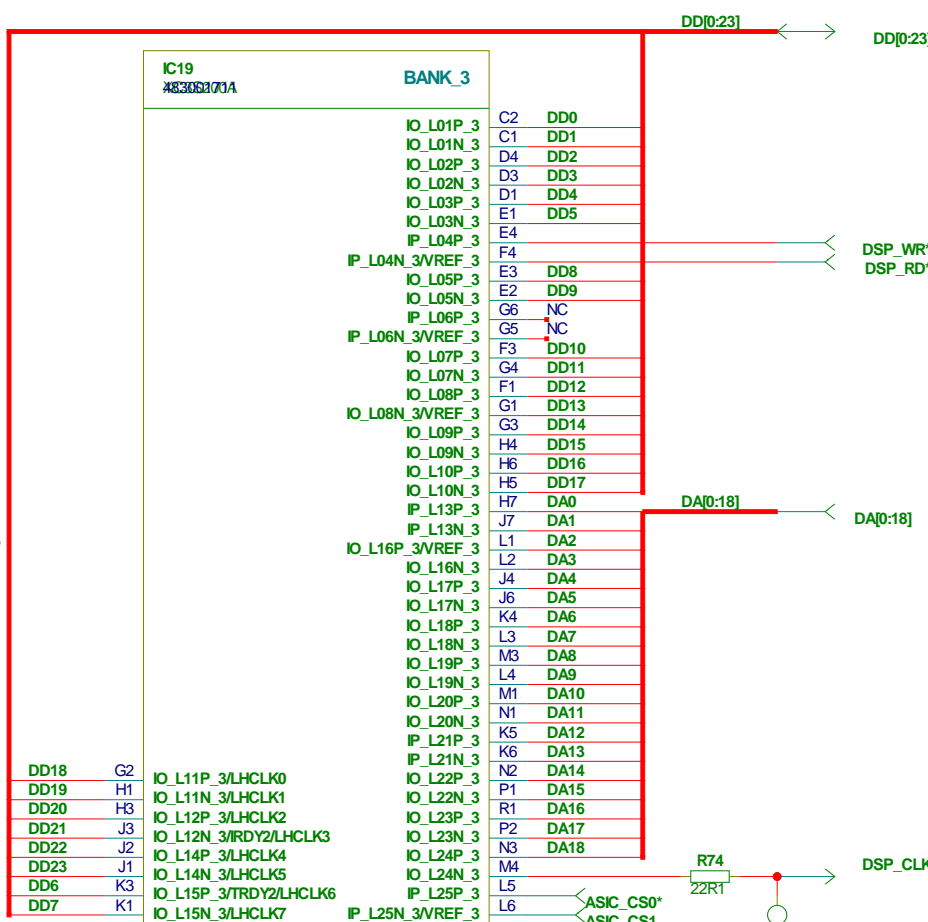
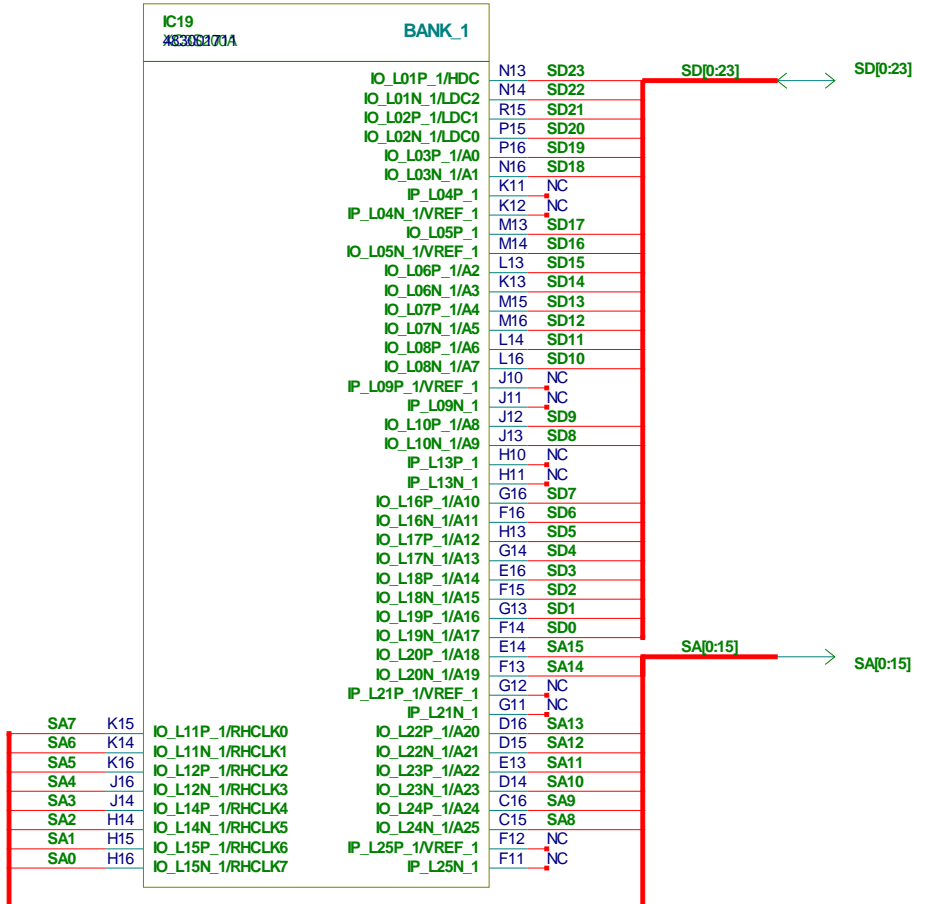
SYNC IN

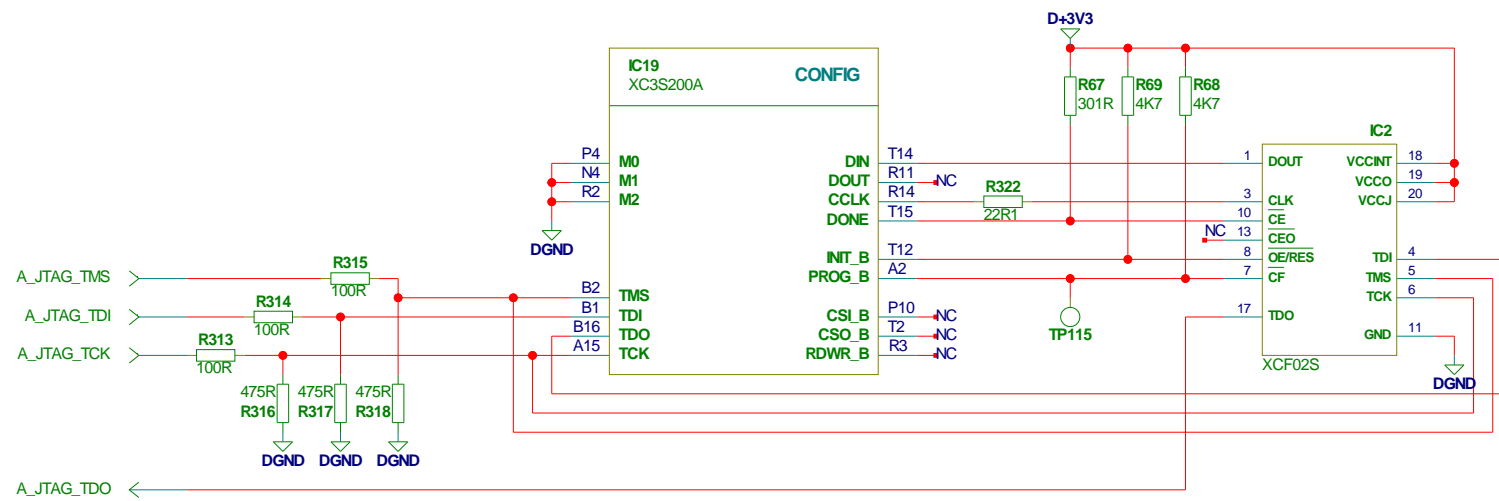
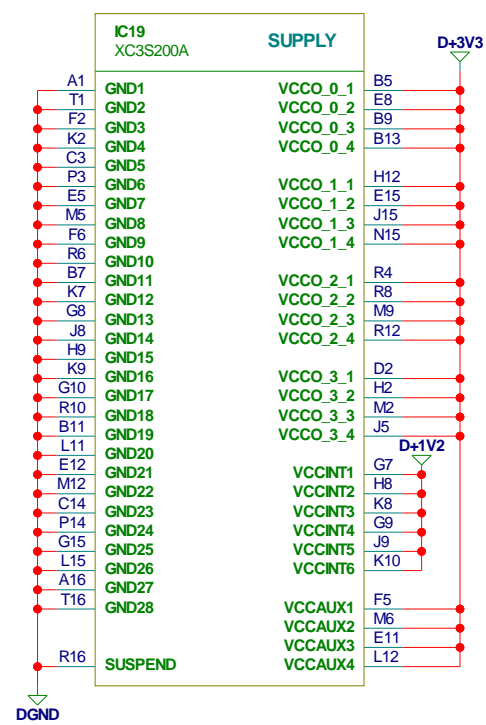
TC Electronic A/S		Designer MAR
Title MAINBOARD G-FORCE	Module title P13006_WX2DGL_P13006-DA_1	
Number P13006	Revision DAC	Previous page 1
Date 14-4-2011_15:11	Filename	Page / of 8 / 15

512k SRAM option

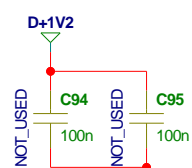
128k SRAM option



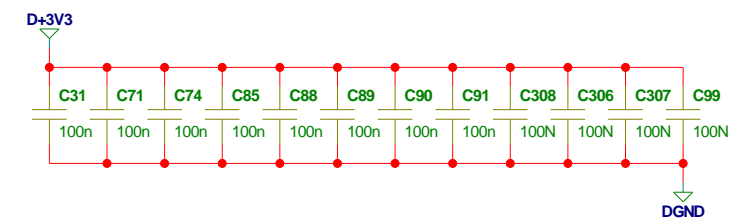
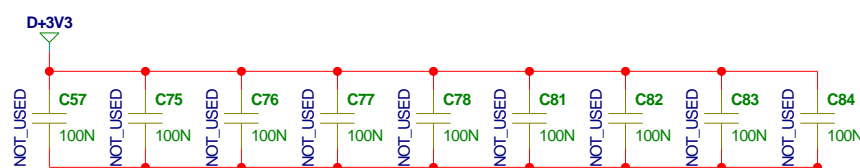
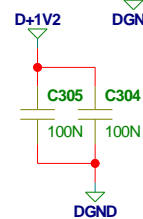




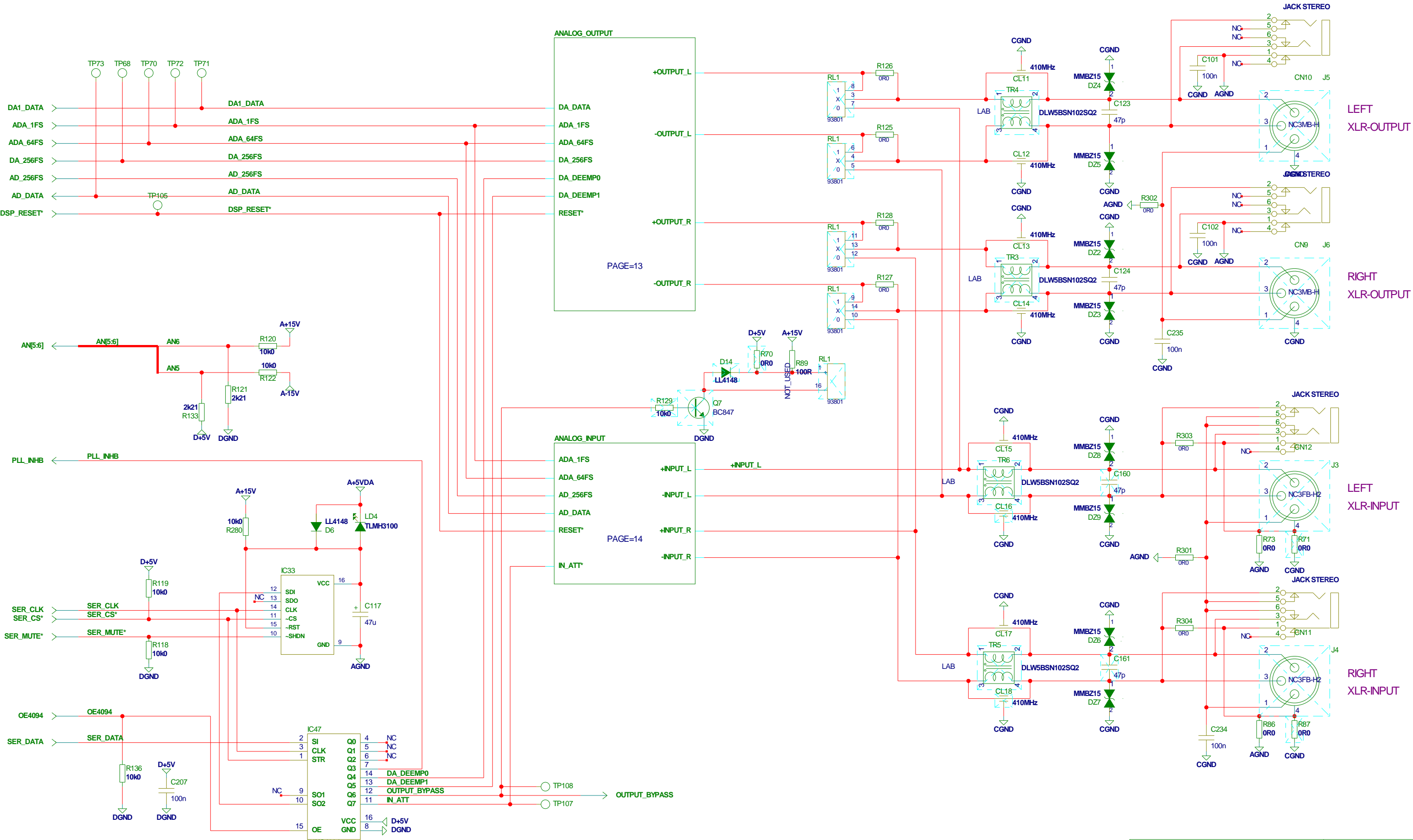
Mounted on bottom



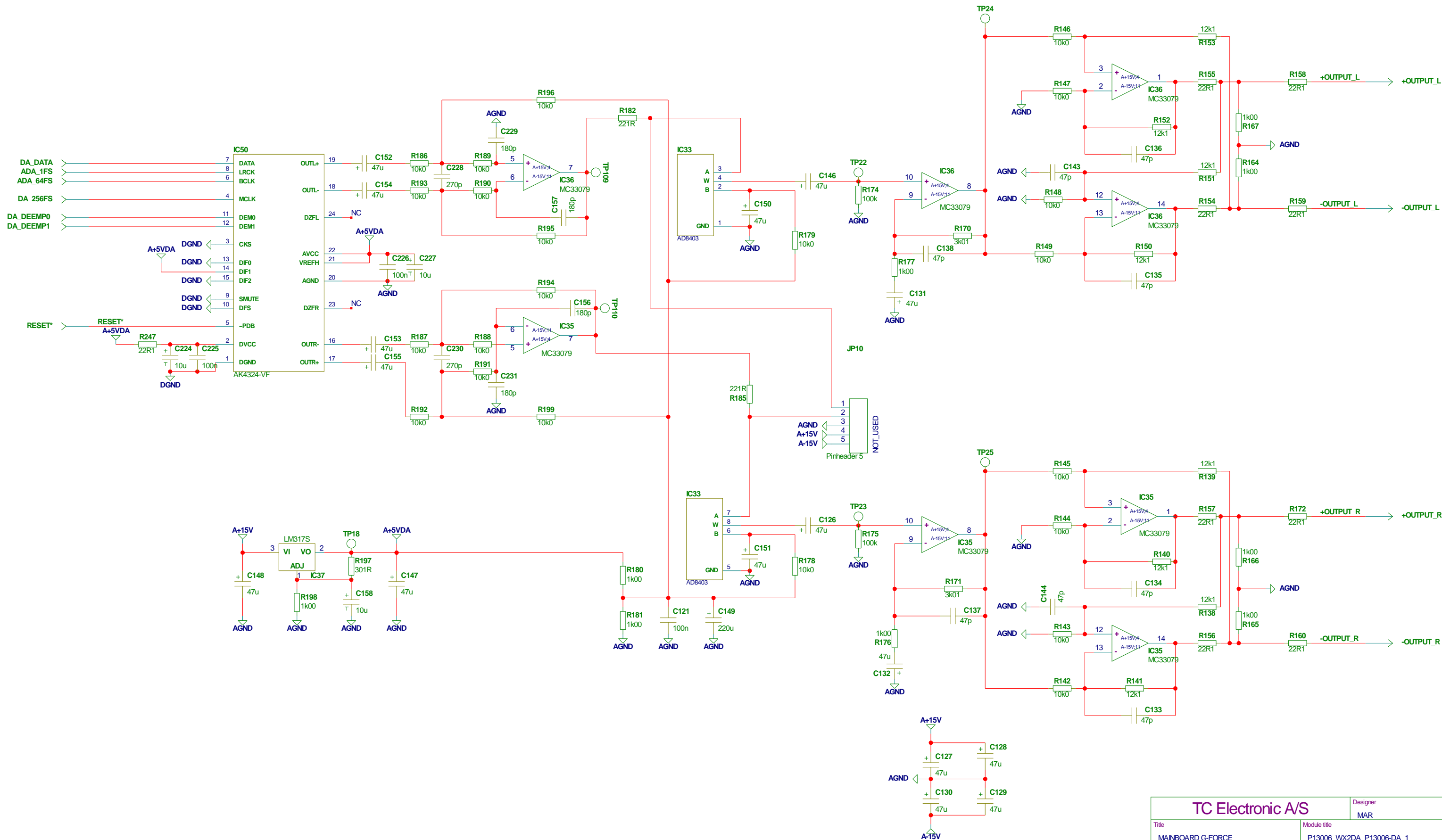
Mounted on top



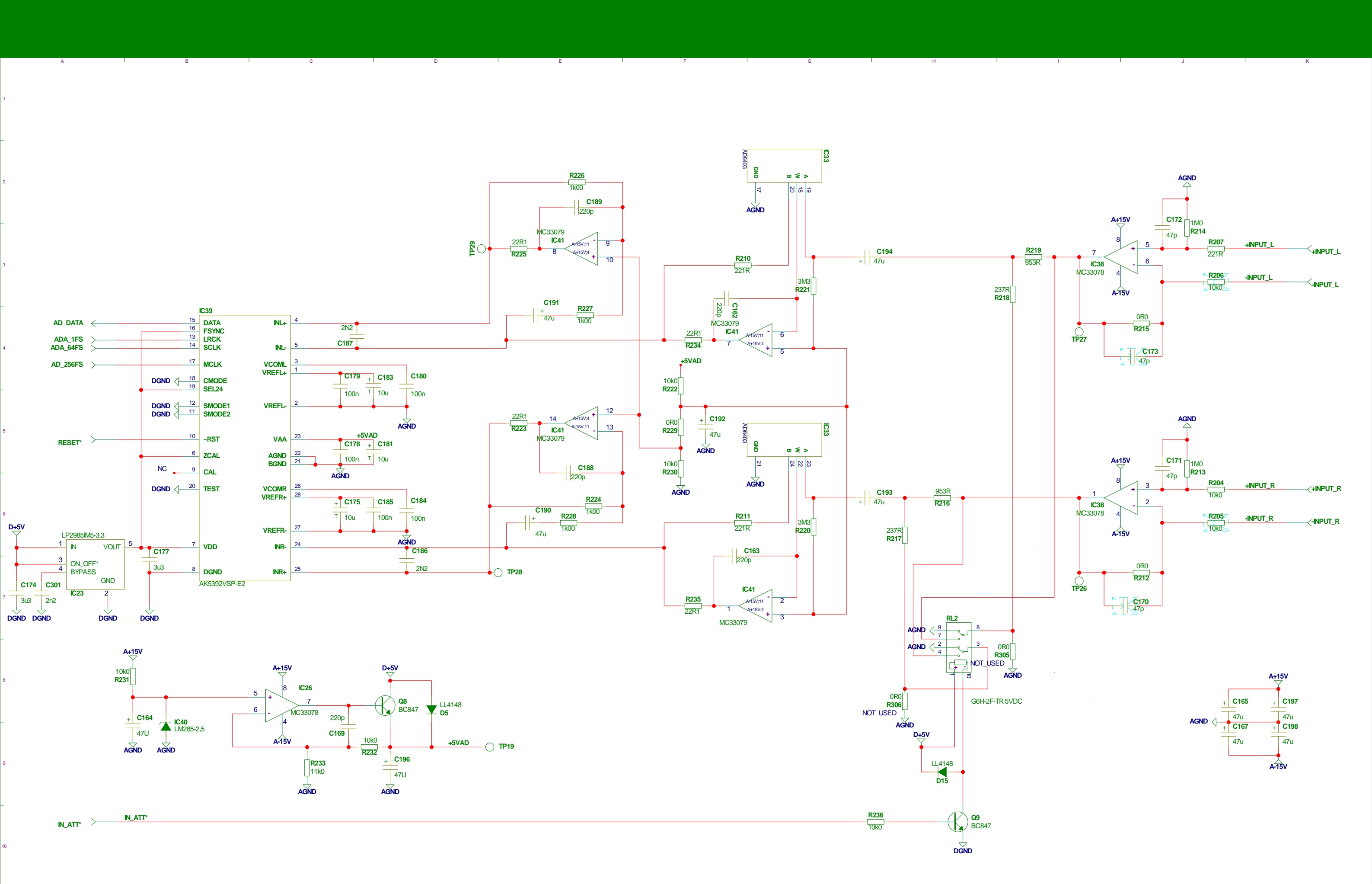
TC Electronic A/S		Designer MAR
Title MAINBOARD G-FORCE		Module title P13006_WX2ASI_P13006-DA_1
Number P13006	Revision DAC	Previous page 1
Date 14-4-2011_15:11	Filename	Page / of 11 / 15



TC Electronic A/S		Designer MAR
Title MAINBOARD G-FORCE	Module title P13006_WX2ADA_P13006-DA_1	
Number P13006	Revision DAC	Previous page 1
Date 14-4-2011_15:07	Filenam	Page / of 12 / 15



TC Electronic A/S		Designer
Title		MAR
MAINBOARD G-FORCE		Module title
P13006		P13006_WX2DA_P13006-DA_1
Number	Revision	Previous page
P13006	DAC	12
Date	Filename	Page / of
14-4-2011_15:11		13 / 15



TC Electronic A/S		Designer MAR
Title MAINBOARD G-FORCE		Module title P13006_WX2AD_P13006-DA_1
Number P13006	Revision DAC	Previous page 12
Date 14-4-2011_15:11	Filename	Page / of 14 / 15

