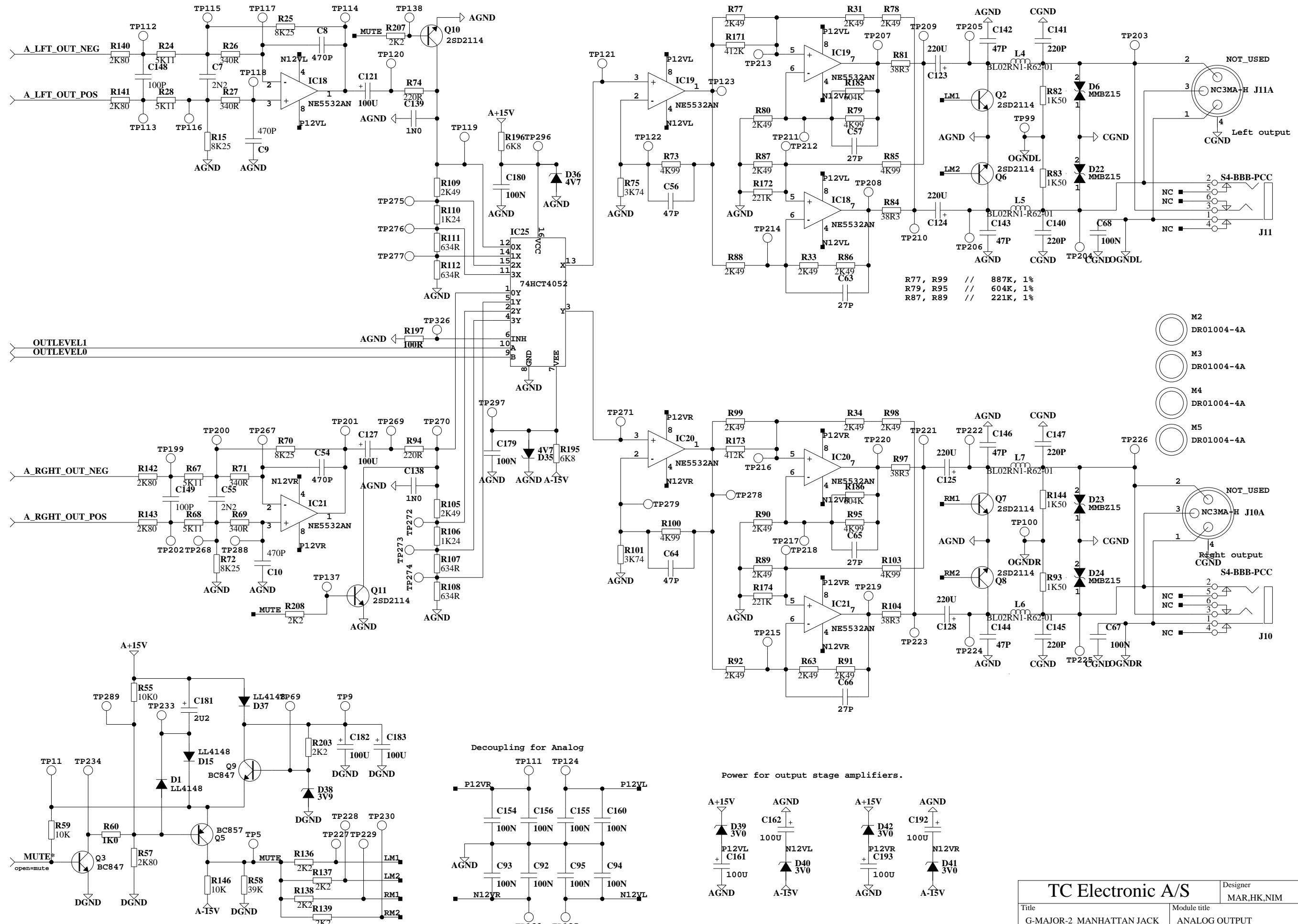


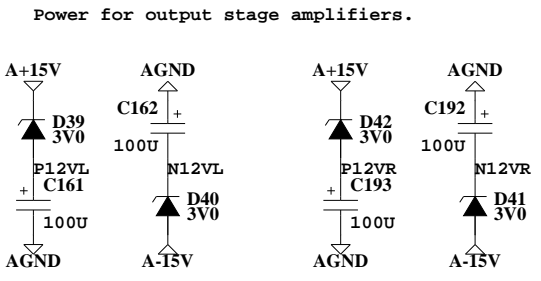
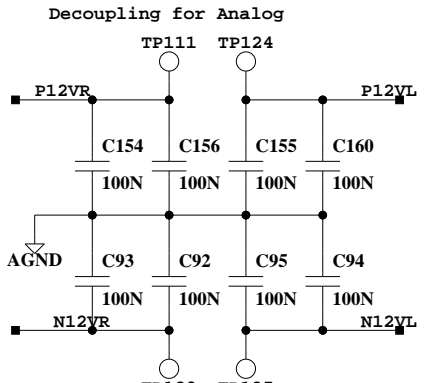
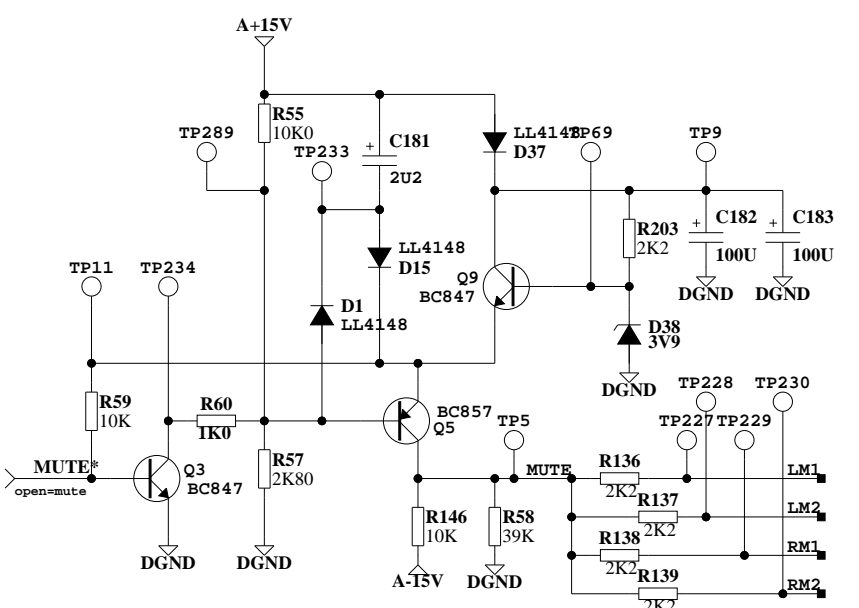
M10
 Manhattan Mainboard PCB
 P16001-6

TC Electronic A/S		Designer MAR, HK, NIM
Title G-MAJOR-2 MANHATTAN JACK	Module title BLOCK LEVEL SCHEMATIC	
Number P16001	Revision FDC	Previous page XX
Date 1-6-2009 11:34	Filename MAINBOARD	Page / of 1 / 13

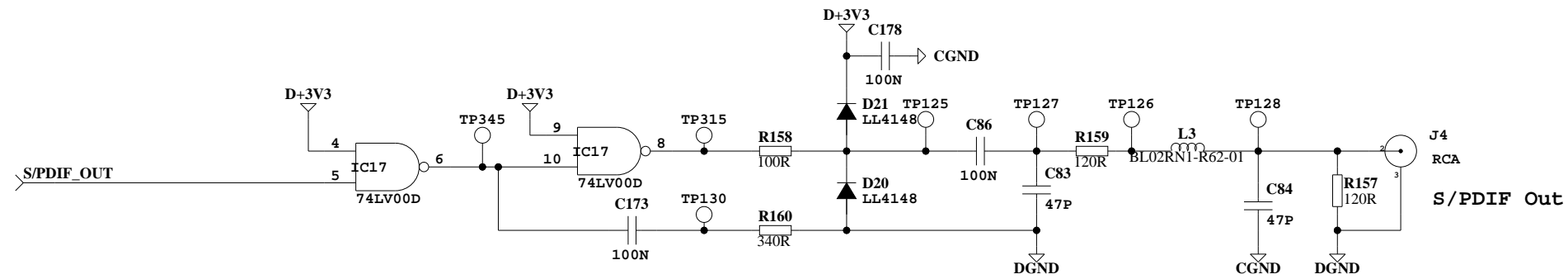


R77, R99 // 887K, 1%
 R79, R95 // 604K, 1%
 R87, R89 // 221K, 1%

- M2 DR01004-4A
- M3 DR01004-4A
- M4 DR01004-4A
- M5 DR01004-4A

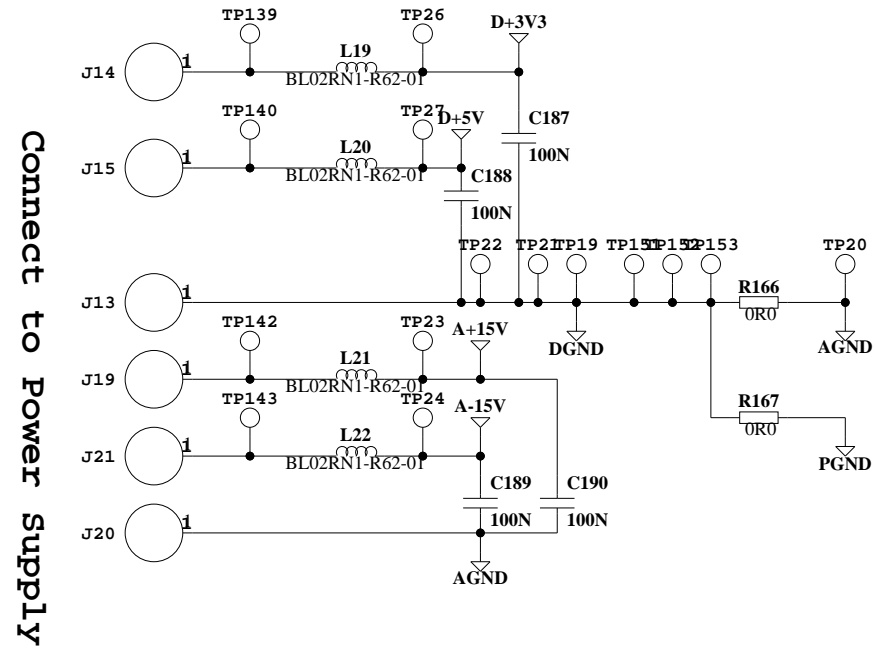
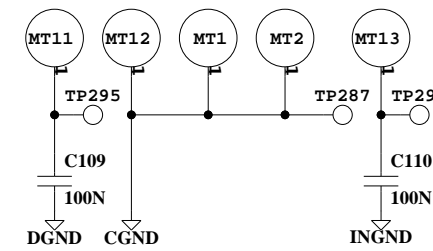
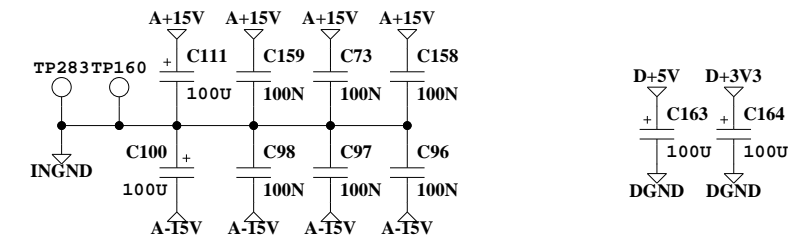
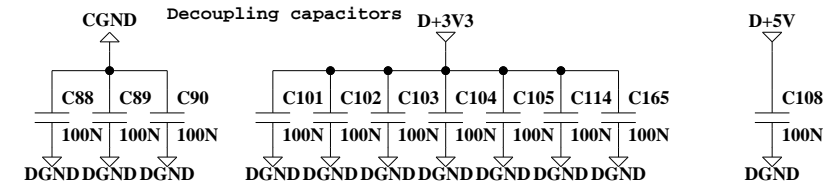
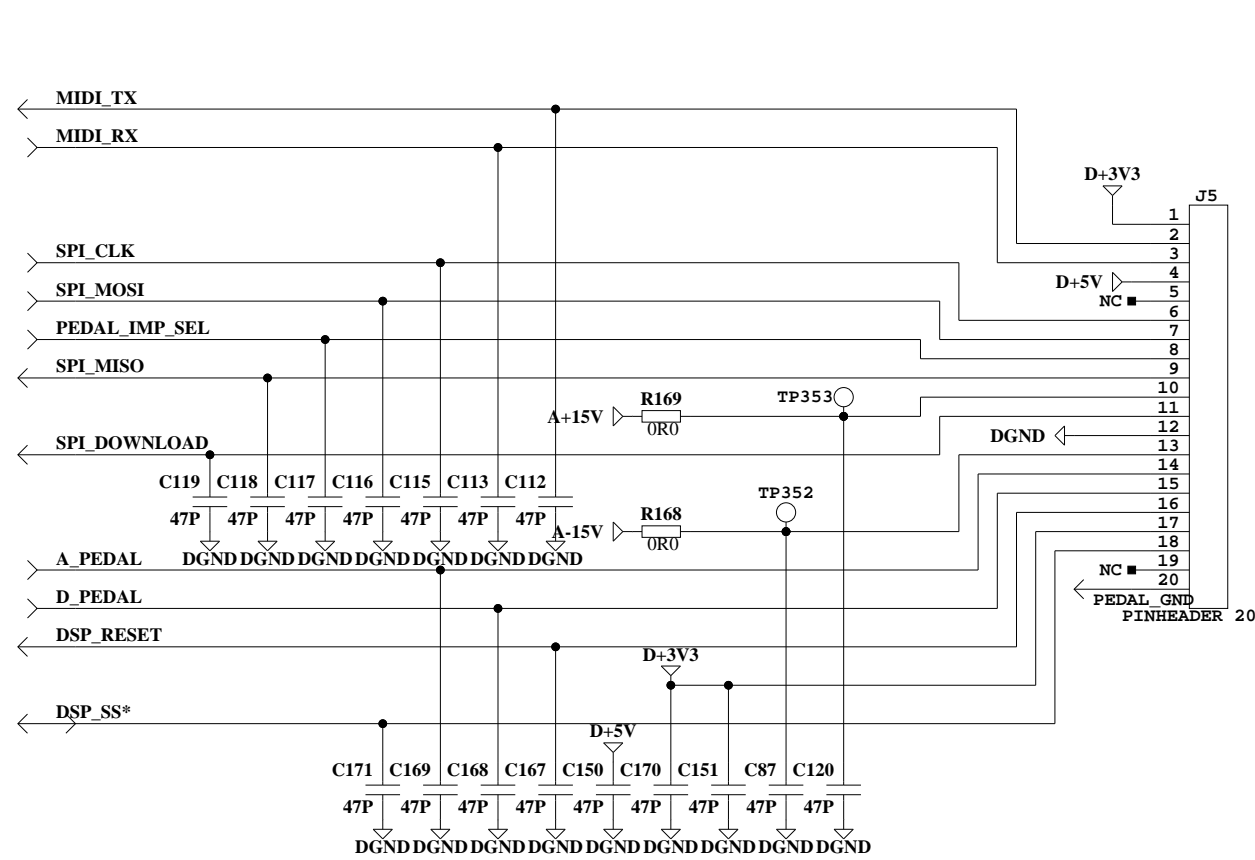


TC Electronic A/S		Designer MAR.HK.NIM
Title G-MAJOR-2 MANHATTAN JACK	Module title ANALOG OUTPUT	
Number P16001	Revision FDC	Previous page 1
Date 1-6-2009 11:36	Filename ANALOG_OUT	Page / of 9 / 13

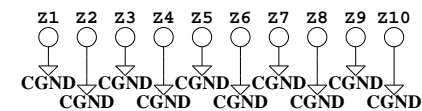
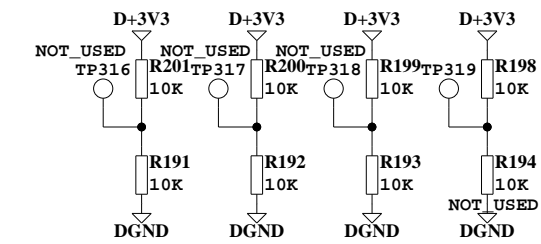


TC Electronic A/S		Designer MAR,NIM
Title G-MAJOR-2 MANHATTAN JACK	Module title DIGITAL OUTPUT	
Number P16001	Revision FDC	Previous page 1
Date 1-6-2009 11:36	Filename DIGITAL_OUT	Page / of 11 / 13

Connect to Front

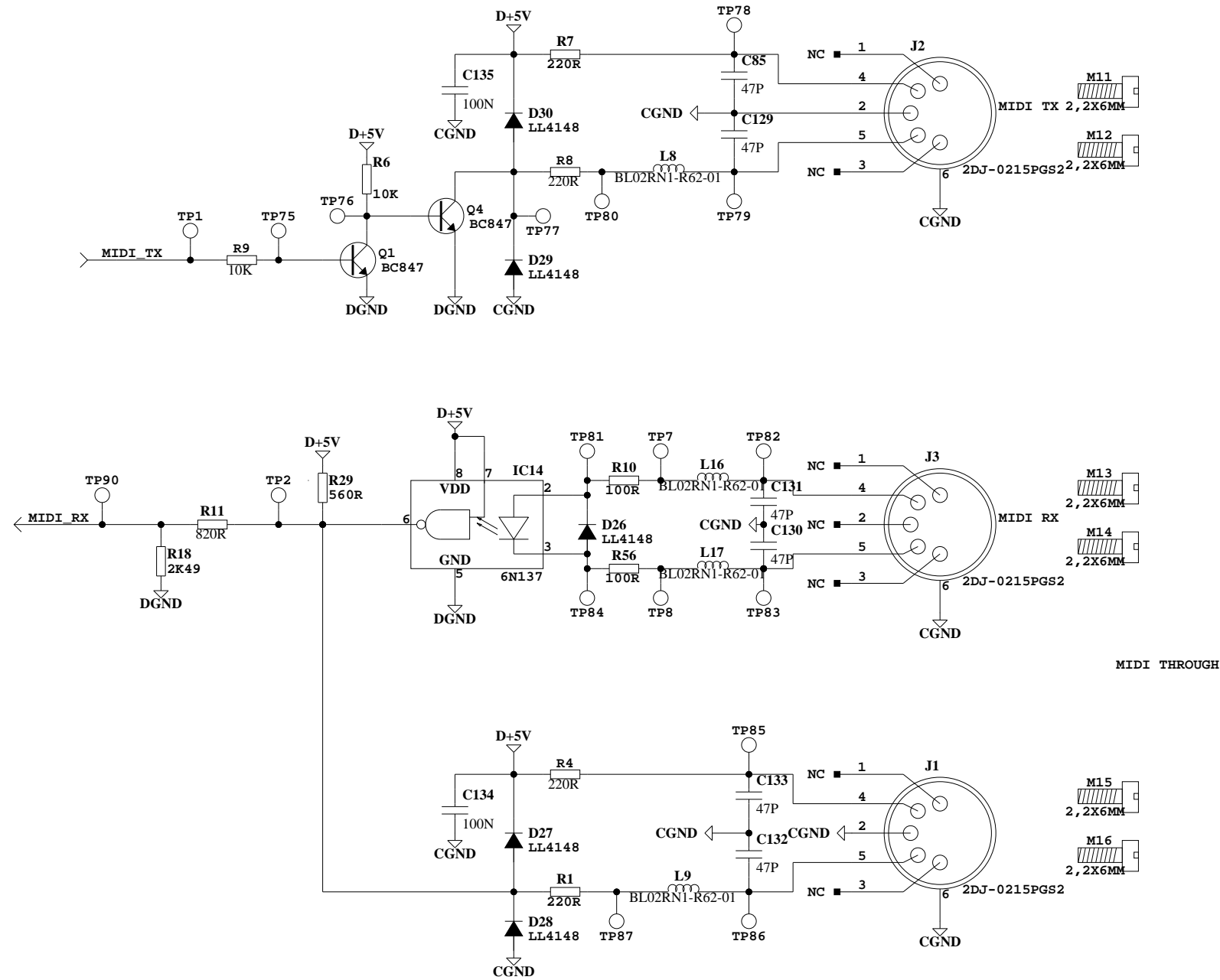


PCB Revision strap field.

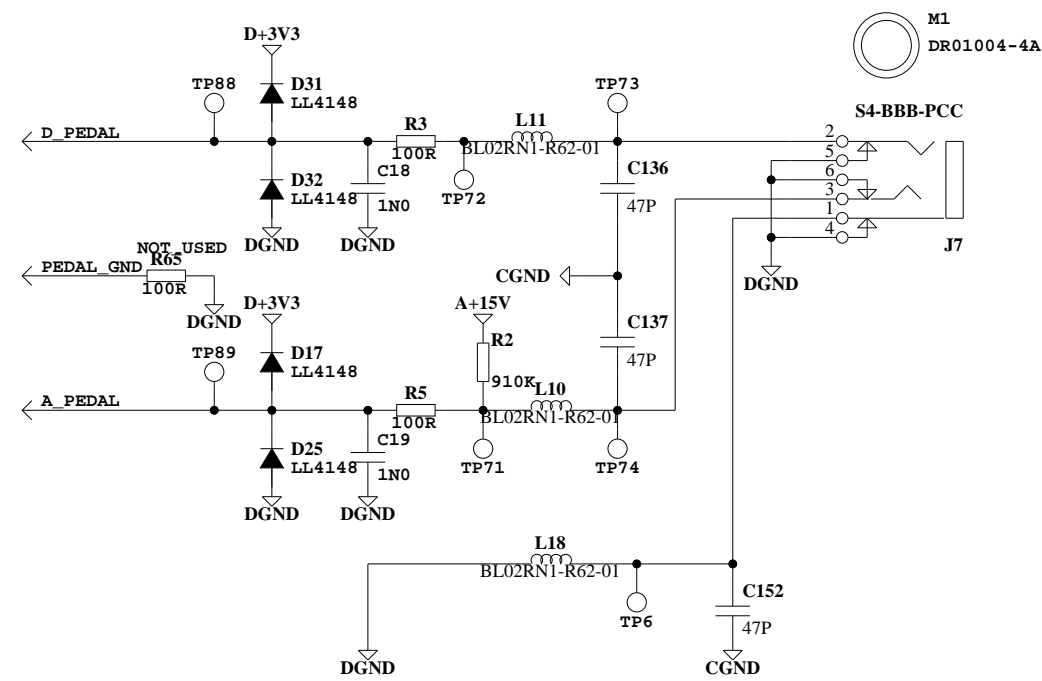


Connect to Power Supply

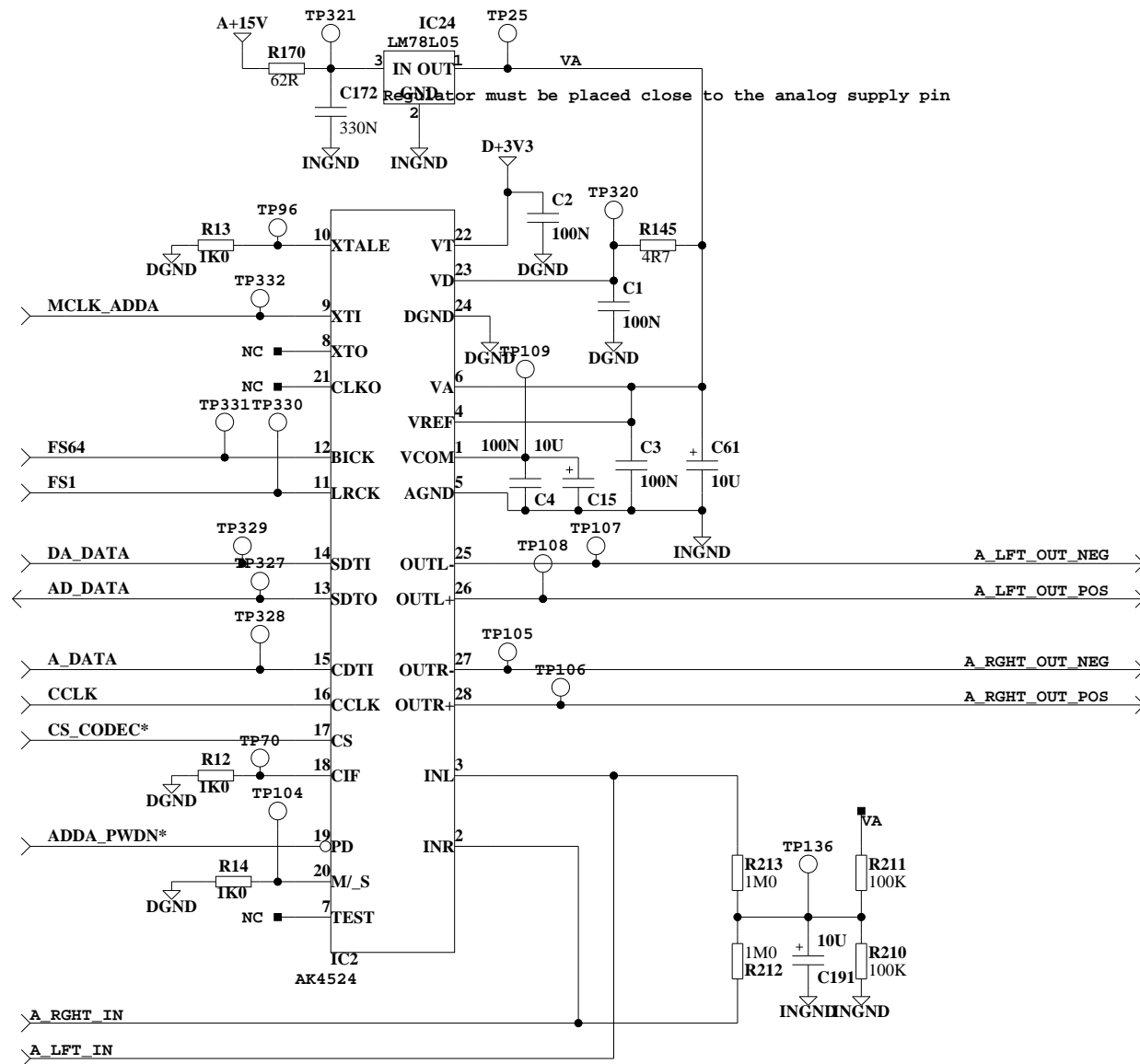
TC Electronic A/S		Designer MAR,NIM
Title G-MAJOR-2 MANHATTAN JACK	Module title INTERFACE TO FRONT AND POWER	
Number P16001	Revision FDC	Previous page 1
Date 1-6-2009 11:36	Filename INTERFACE	Page / of 2 / 13



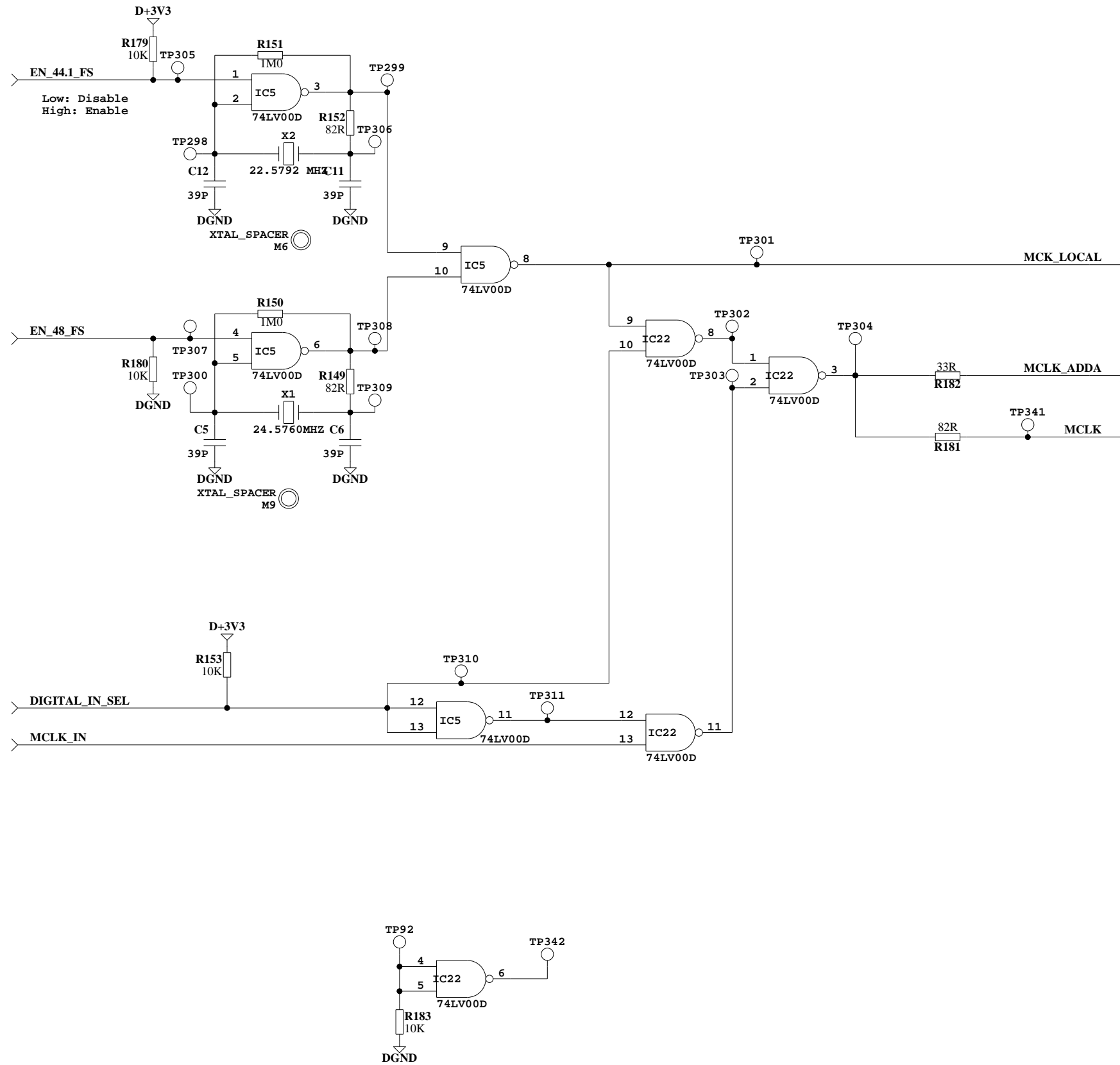
TC Electronic A/S		Designer MAR,NIM
Title G-MAJOR-2 MANHATTAN JACK	Module title MIDI INTERFACE	
Number P16001	Revision FDC	Previous page 1
Date 1-6-2009 11:37	Filename MIDI	Page / of 12 / 13



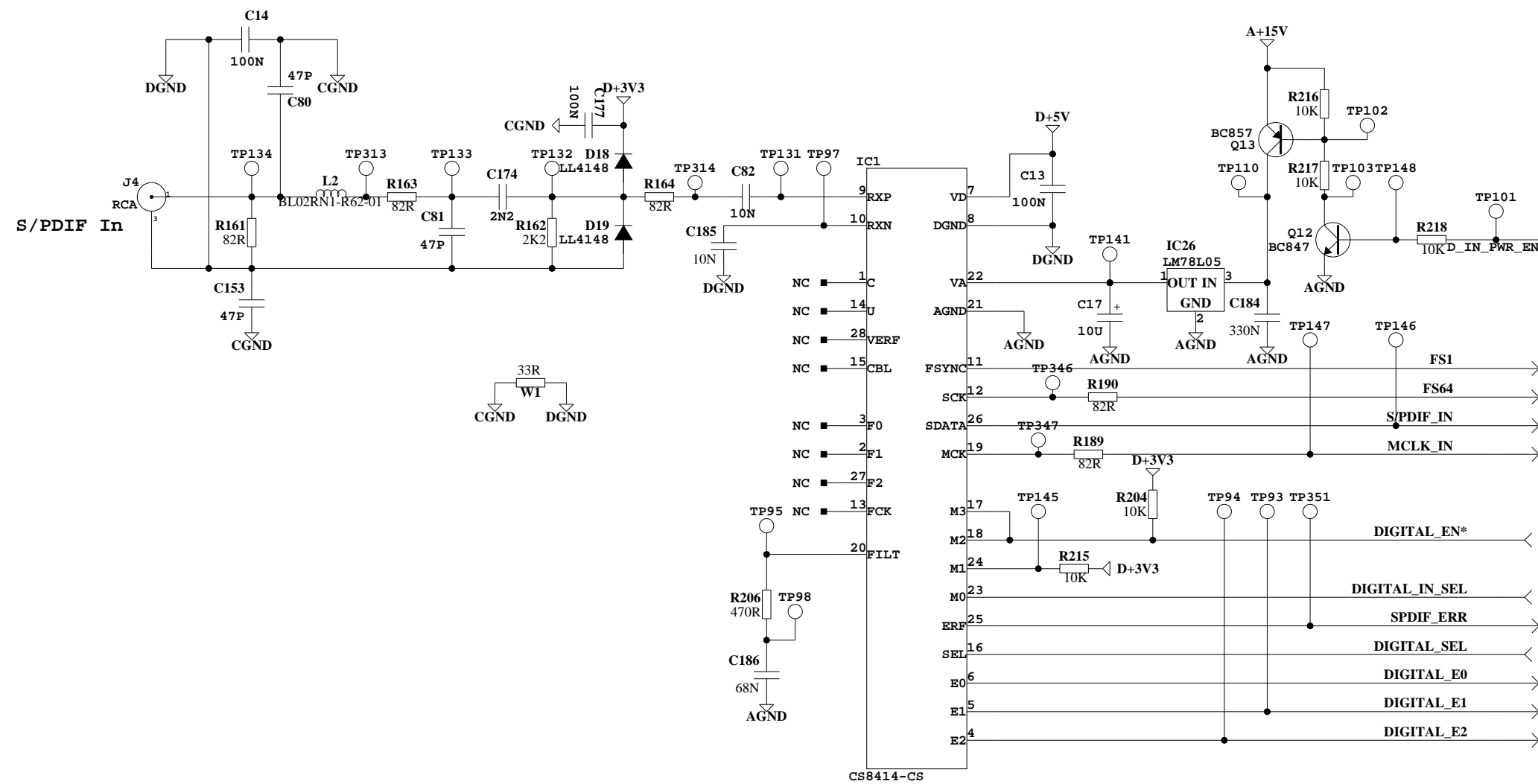
TC Electronic A/S		Designer MAR,NIM
Title G-MAJOR-2 MANHATTAN JACK	Module title PEDAL INTERFACE	
Number P16001	Revision FDC	Previous page 1
Date 1-6-2009 11:37	Filename PEDAL	Page / of 13 / 13



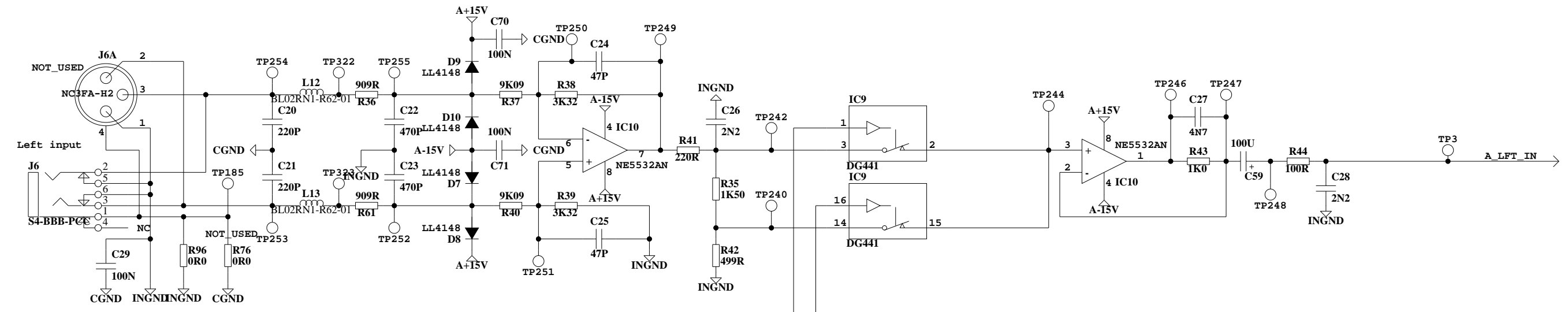
Title		Designer
G-MAJOR-2 MANHATTAN JACK		MAR,NIM
Module title		CODEC
Number	Revision	Previous page
P16001	FDC	1
Date	Filename	Page / of
1-6-2009 11:35	CODEC	8 / 13



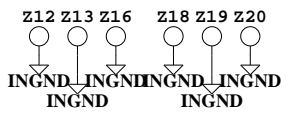
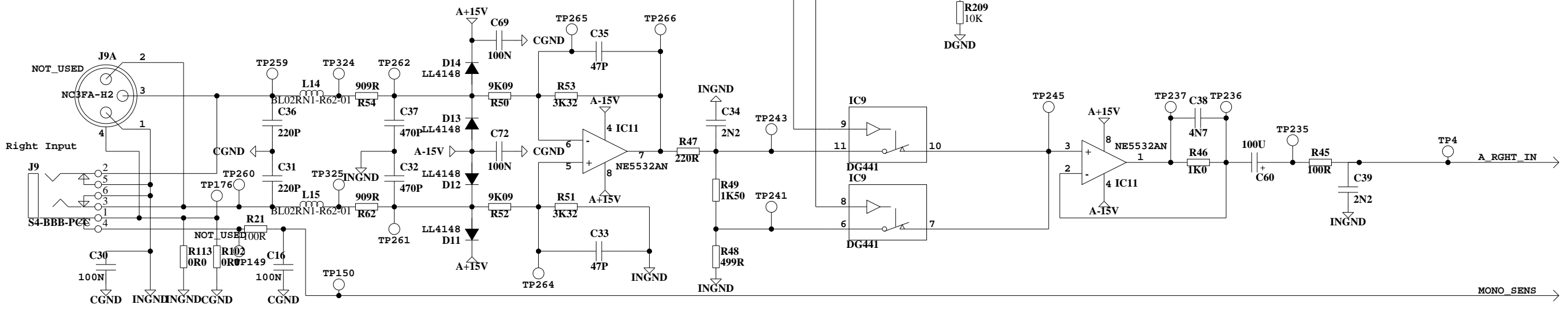
TC Electronic A/S		Designer MAR,NIM
Title G-MAJOR-2 MANHATTAN JACK	Module title CLOCK	
Number P16001	Revision FDC	Previous page 1
Date 1-6-2009 11:35	Filename CLOCK	Page / of 6 / 13



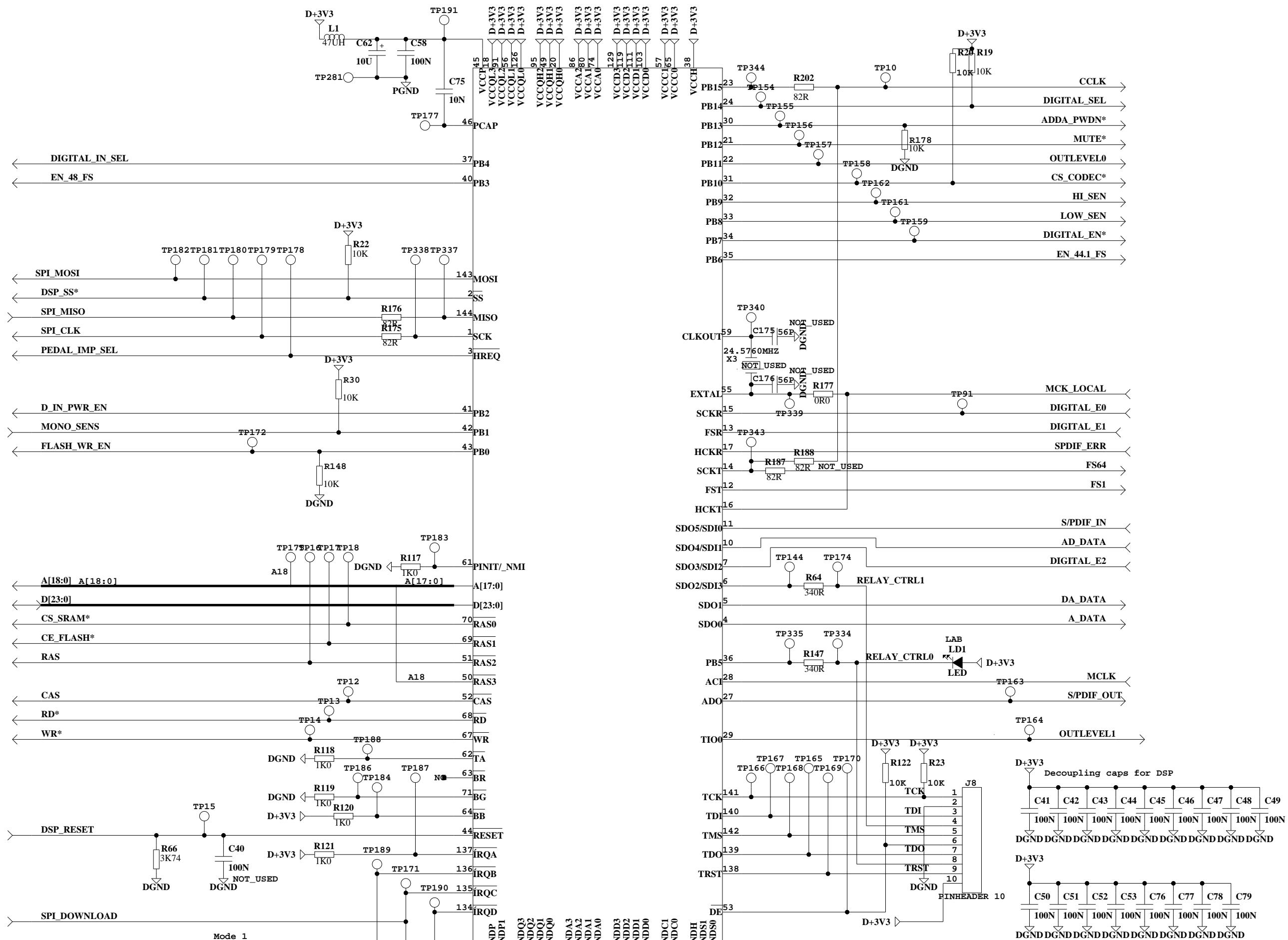
Title		Designer
G-MAJOR-2 MANHATTAN JACK		MAR,NIM
Module title		
DIGITAL INPUT		
Number	Revision	Previous page
P16001	FDC	1
Date	Filename	Page / of
1-6-2009 11:35	DIGITAL_IN	10 / 13



JACK version: R96 and R113 (0 ohm) mounted.
 XLR version: R76 and R102 (0 ohm) mounted



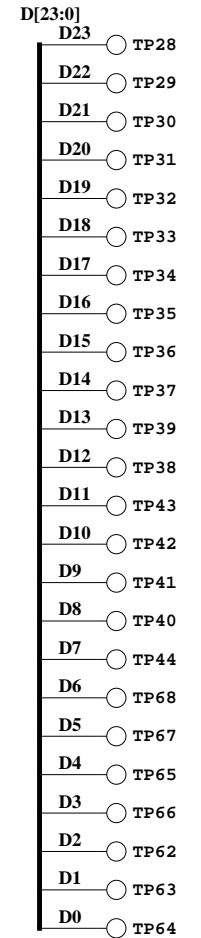
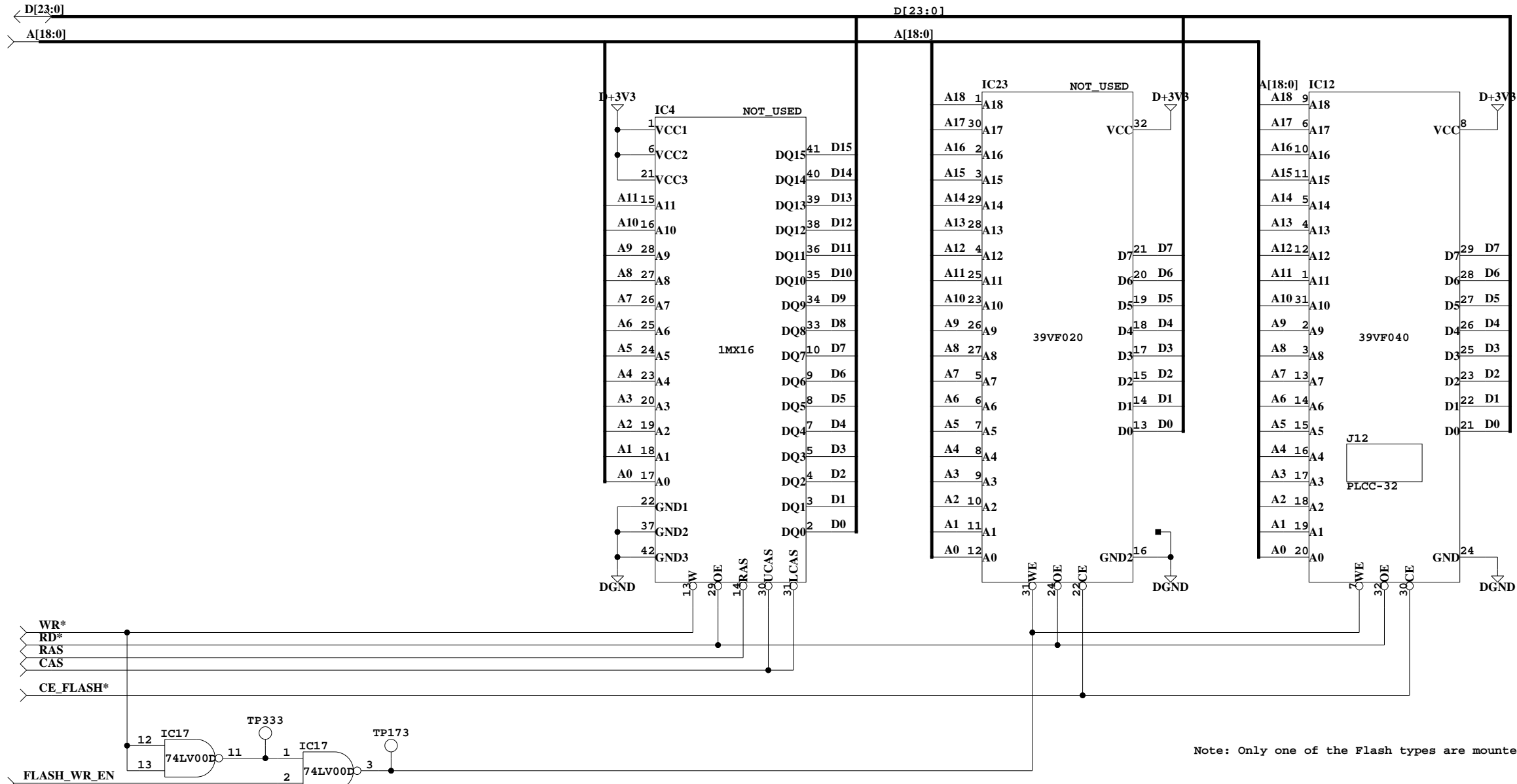
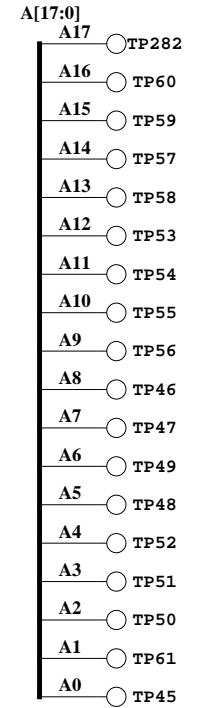
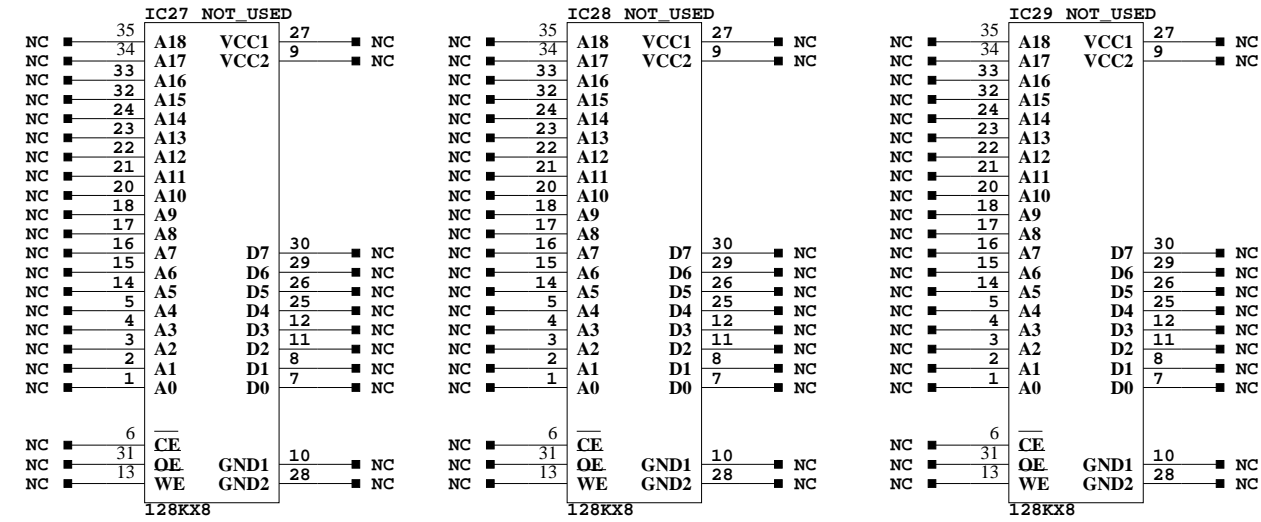
TC Electronic A/S		Designer HK,MAR,NIM
Title G-MAJOR-2 MANHATTAN JACK	Module title ANALOG INPUT	
Number P16001	Revision FDC	Previous page 1
Date 1-6-2009 11:35	Filename ANALOG_IN	Page / of 7 / 12



Mode 1
 Pull High to boot from SPI
 Boot from Ext. 8 bit memory

TC Electronic A/S		Designer MAR.NIM
Title G-MAJOR-2 MANHATTAN JACK		Module title DSP
Number P16001	Revision FDC	Previous page 1
Date 1-6-2009 11:36	Filename DSP	Page / of 3 / 13

These devices defines the SRAM on the Partlist

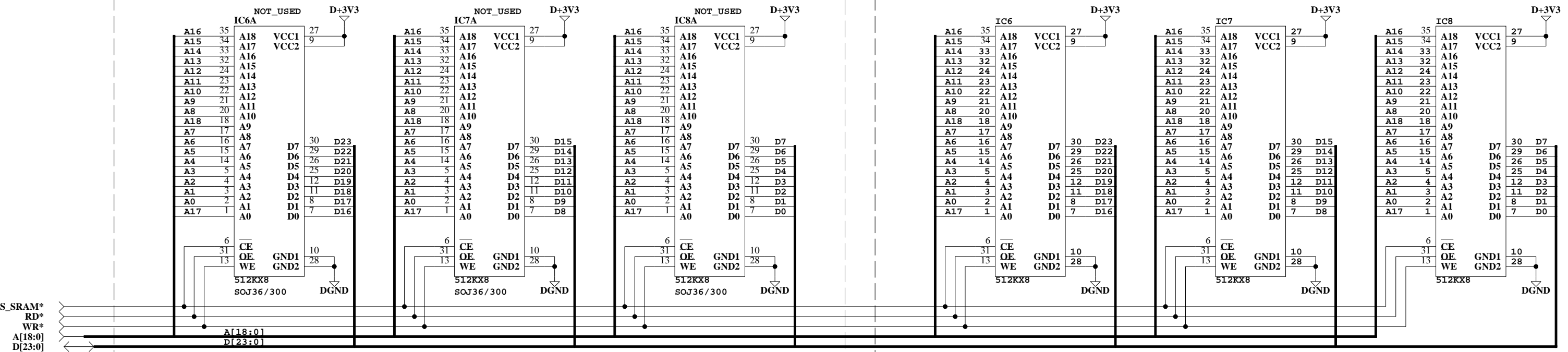


Note: Only one of the Flash types are mounted

TC Electronic A/S		Designer
G-MAJOR-2 MANHATTAN JACK		MAR.HK.NIM
Title	Module title	
Number	Revision	Previous page
P16001	FDC	1
Date	Filename	Page / of
1-6-2009 12:52	MEM	4 / 13

SOJ36/300 mil - 128k/512k

SOJ36/400 mil - 128k/512k



These SRAM devices defines the PCB layout

TC Electronic A/S		Designer MAR, HK, NIM
Title MANHATTAN JACK	Module title MEMORY - ALT PACKAGE	
Number P16001	Revision FDB	Previous page 1
Date 12-4-2008 15:07	Filename MEM	Page / of 5 / 13