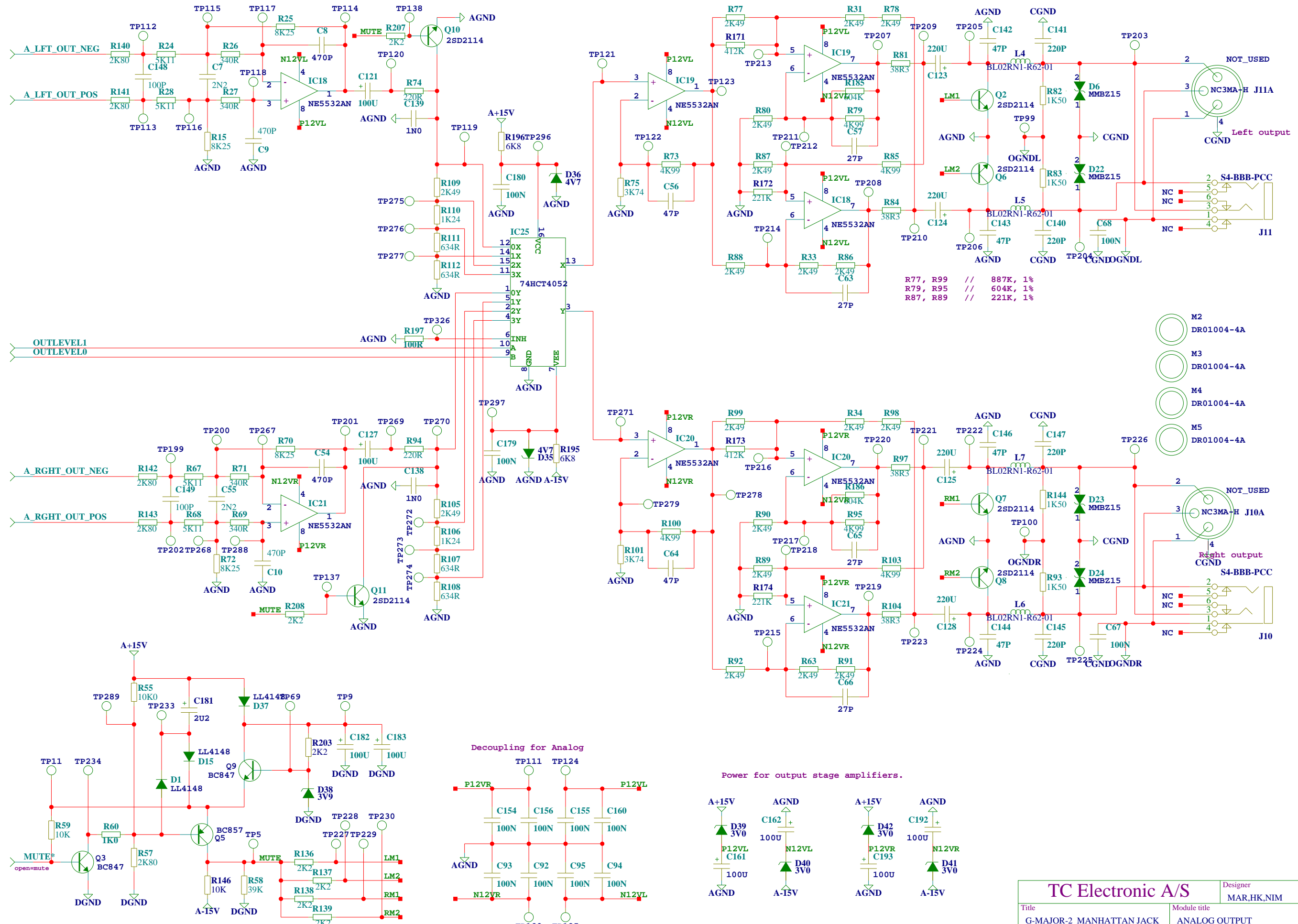


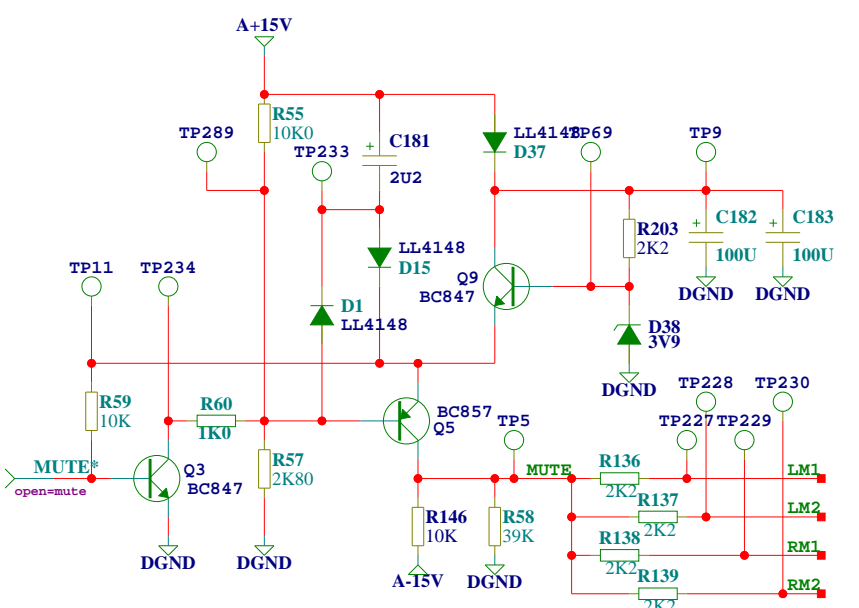
M10  
 Manhattan Mainboard PCB  
 P16001-6

<b>TC Electronic A/S</b>		Designer MAR, HK, NIM
Title G-MAJOR-2 MANHATTAN JACK	Module title BLOCK LEVEL SCHEMATIC	
Number P16001	Revision FDE	Previous page XX
Date 8-30-2011 9:40	Filename MAINBOARD	Page / of 1 / 13

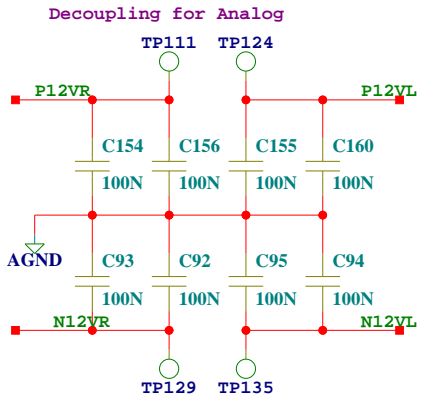


R77, R99 // 887K, 1%  
 R79, R95 // 604K, 1%  
 R87, R89 // 221K, 1%

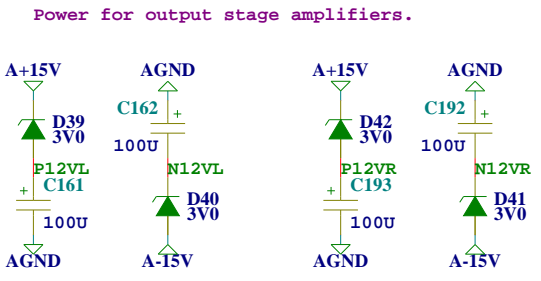
- M2 DR01004-4A
- M3 DR01004-4A
- M4 DR01004-4A
- M5 DR01004-4A



Mute circuit

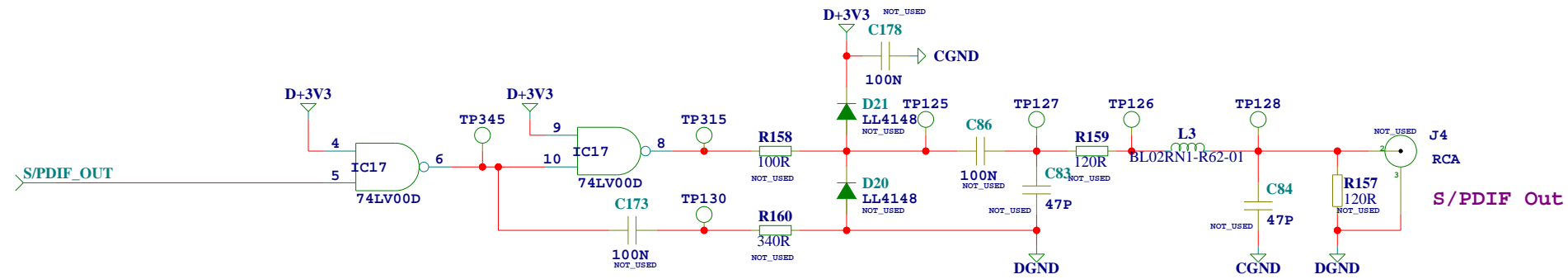


Decoupling for Analog



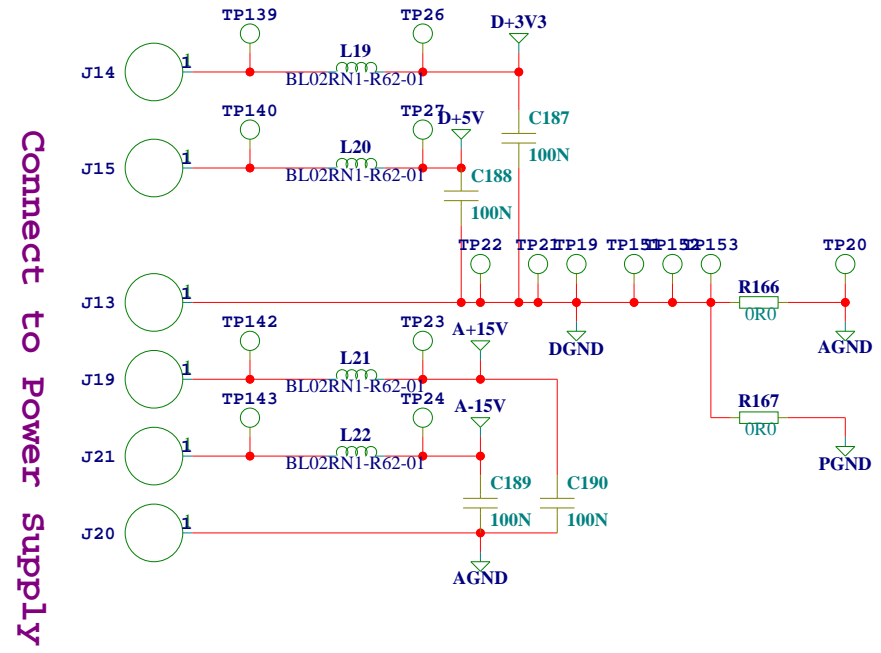
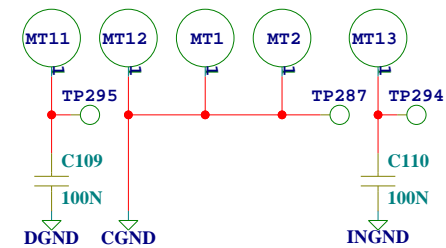
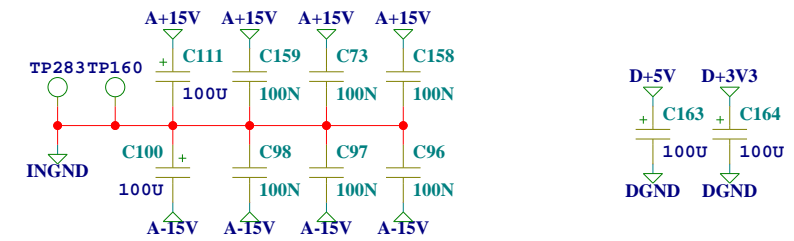
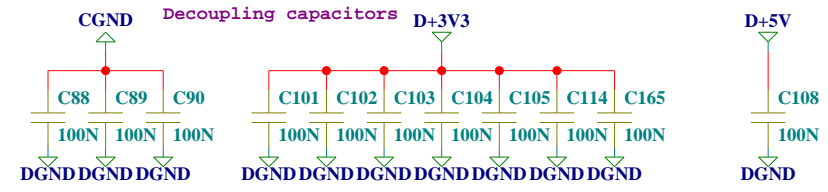
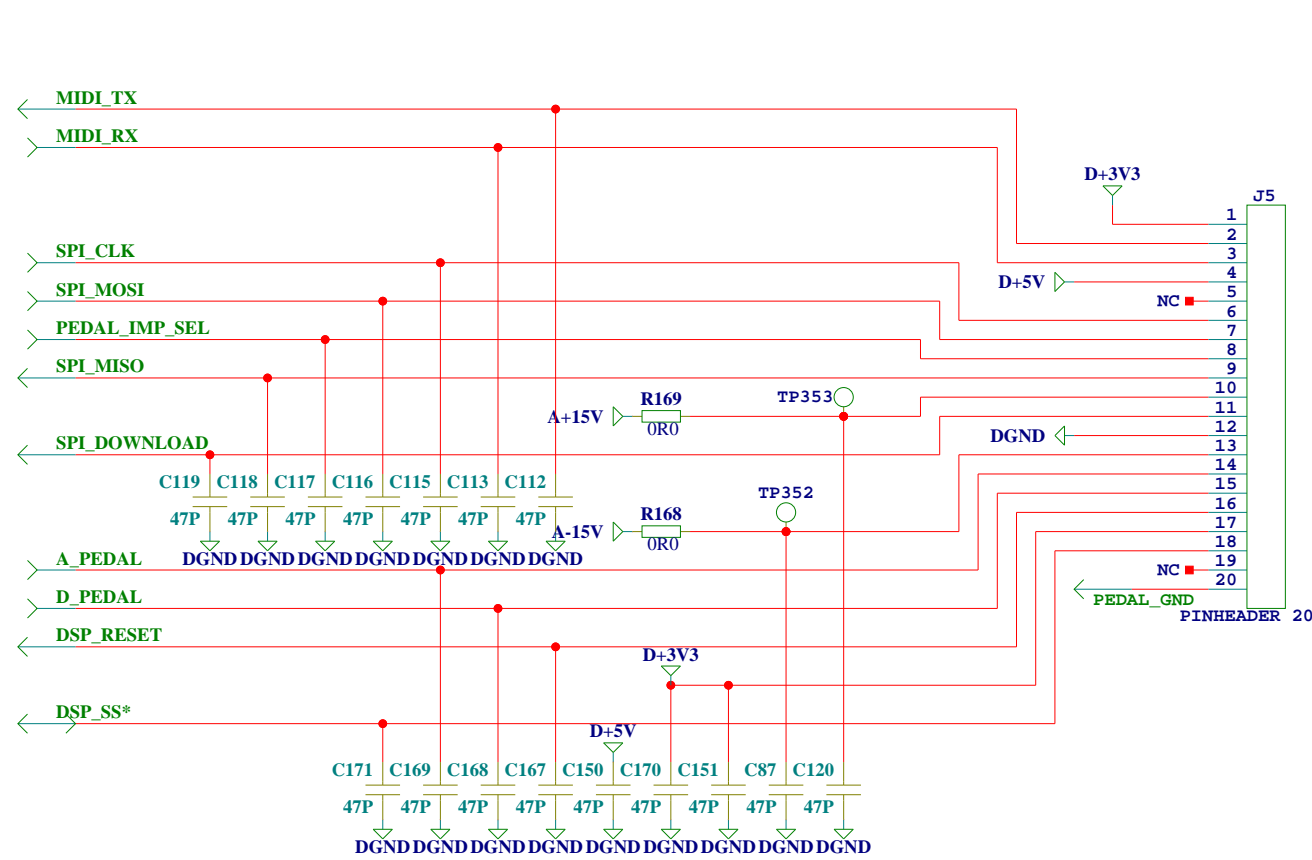
Power for output stage amplifiers.

<b>TC Electronic A/S</b>		Designer MAR.HK.NIM
Title G-MAJOR-2 MANHATTAN JACK	Module title ANALOG OUTPUT	
Number P16001	Revision FDE	Previous page 1
Date 8-30-2011 9:40	Filename ANALOG_OUT	Page / of 9 / 13

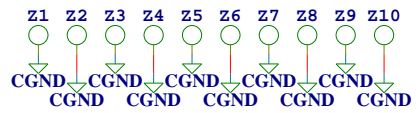
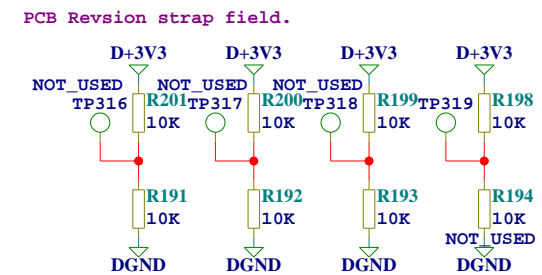


TC Electronic A/S		Designer MAR,NIM
Title G-MAJOR-2 MANHATTAN JACK	Module title DIGITAL OUTPUT	
Number P16001	Revision FDE	Previous page 1
Date 8-30-2011 9:40	Filename DIGITAL_OUT	Page / of 11 / 13

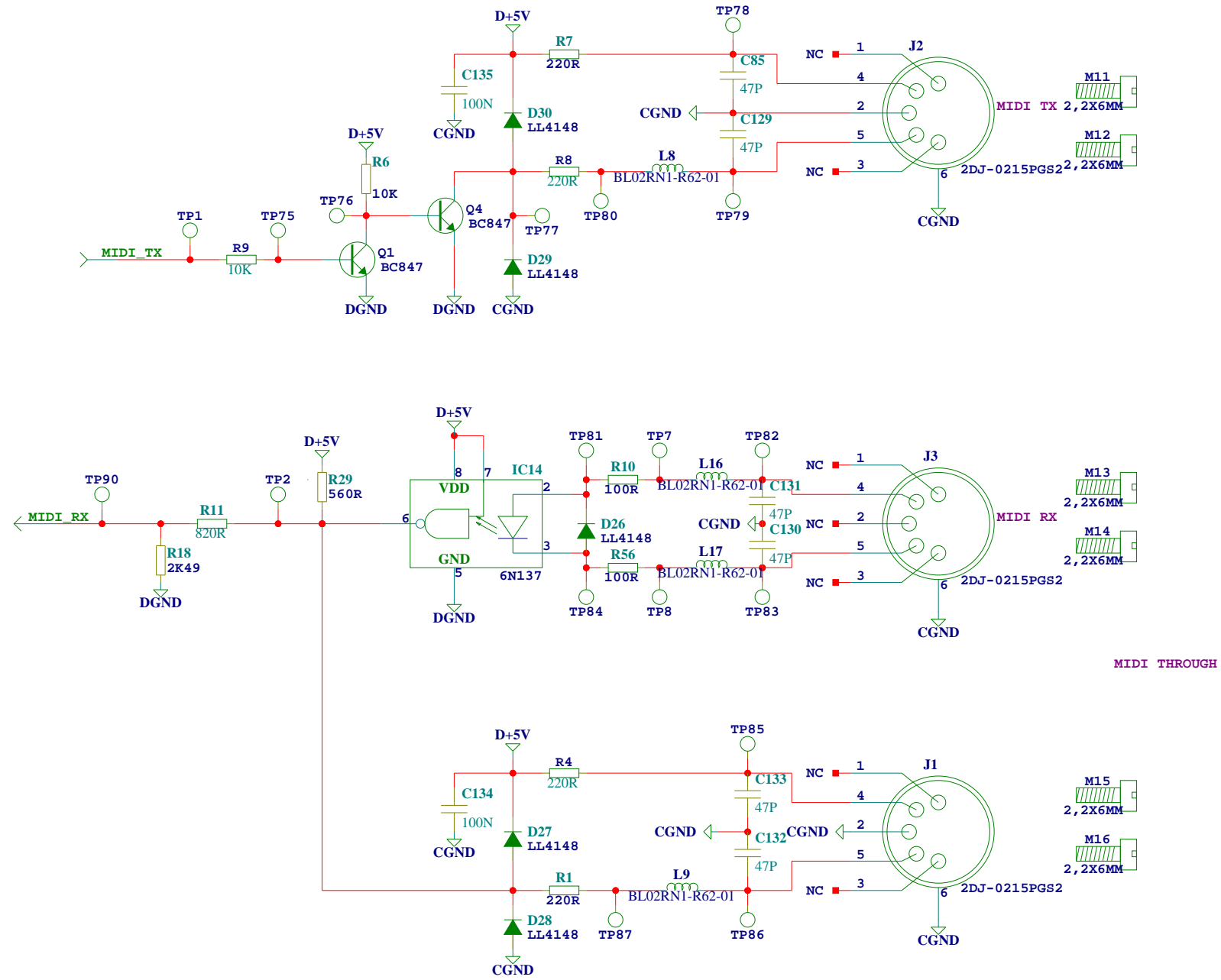
Connect to Front



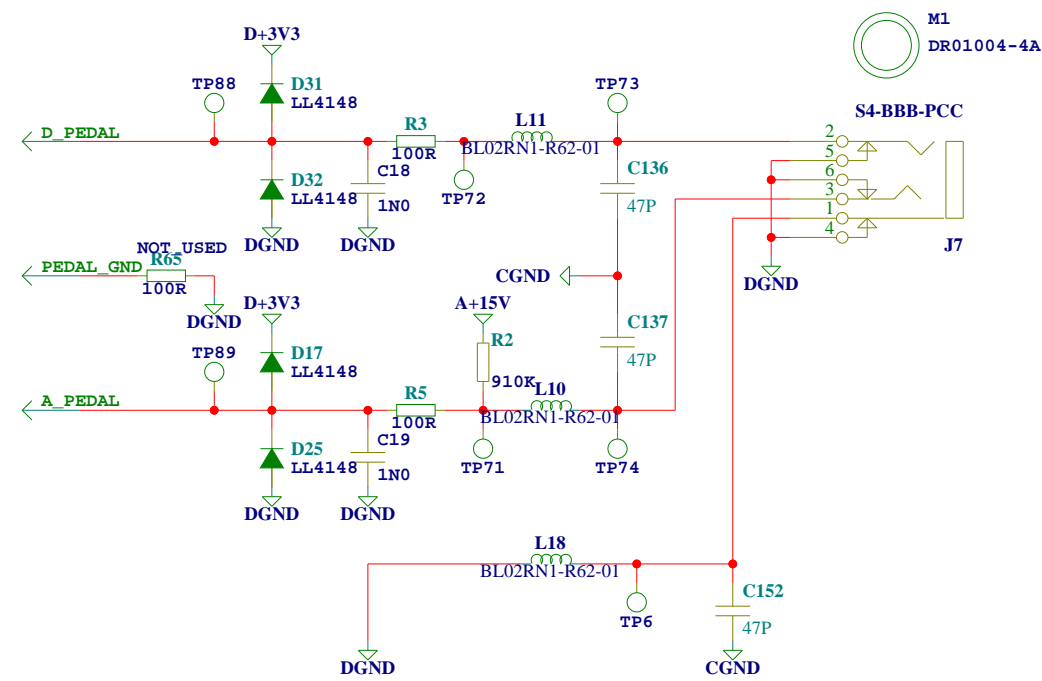
Connect to Power Supply



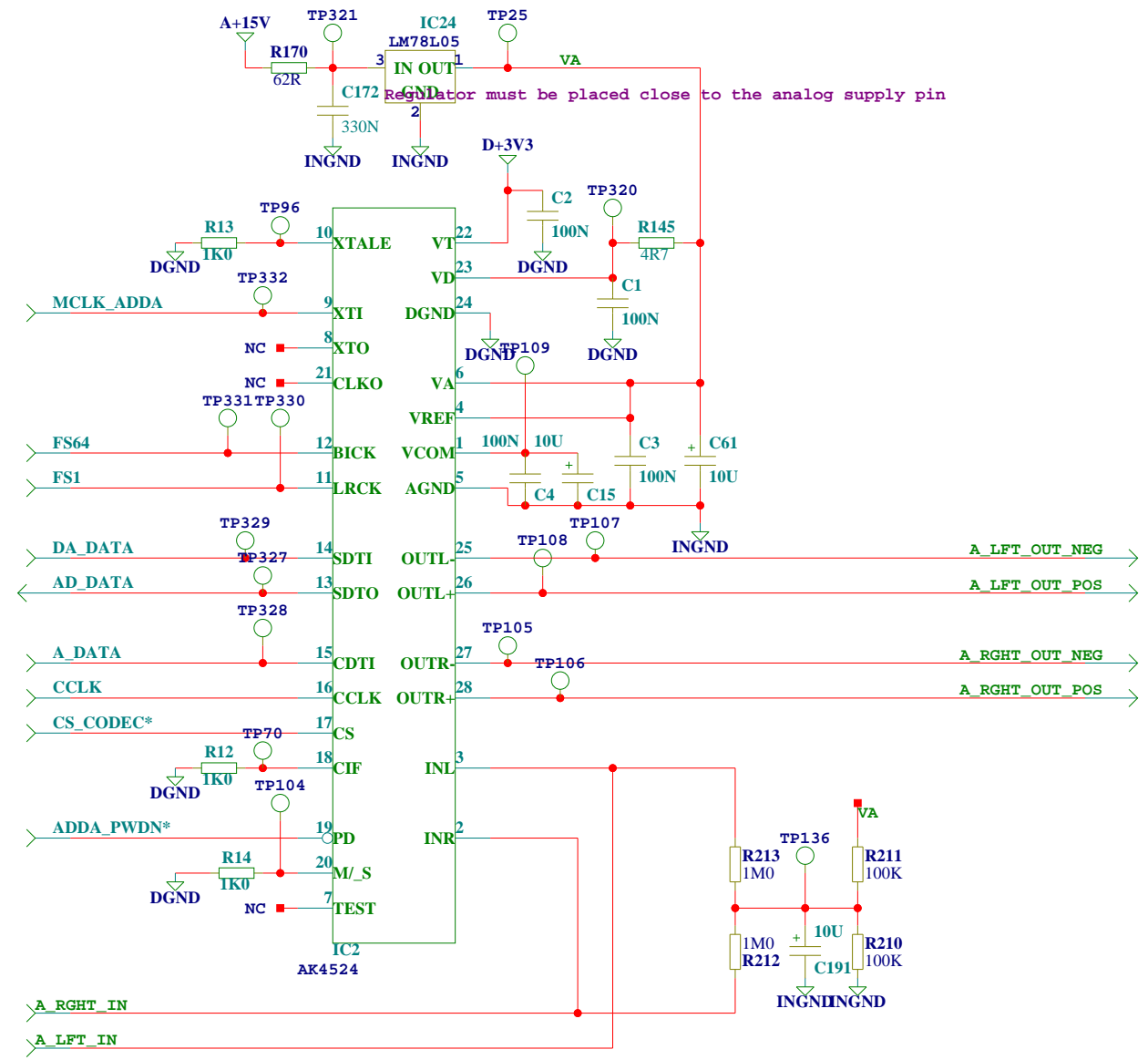
TC Electronic A/S		Designer
G-MAJOR-2 MANHATTAN JACK		MAR,NIM
Module title		INTERFACE TO FRONT AND POWER
Number	Revision	Previous page
P16001	FDE	1
Date	Filename	Page / of
8-30-2011 9:40	INTERFACE	2 / 13



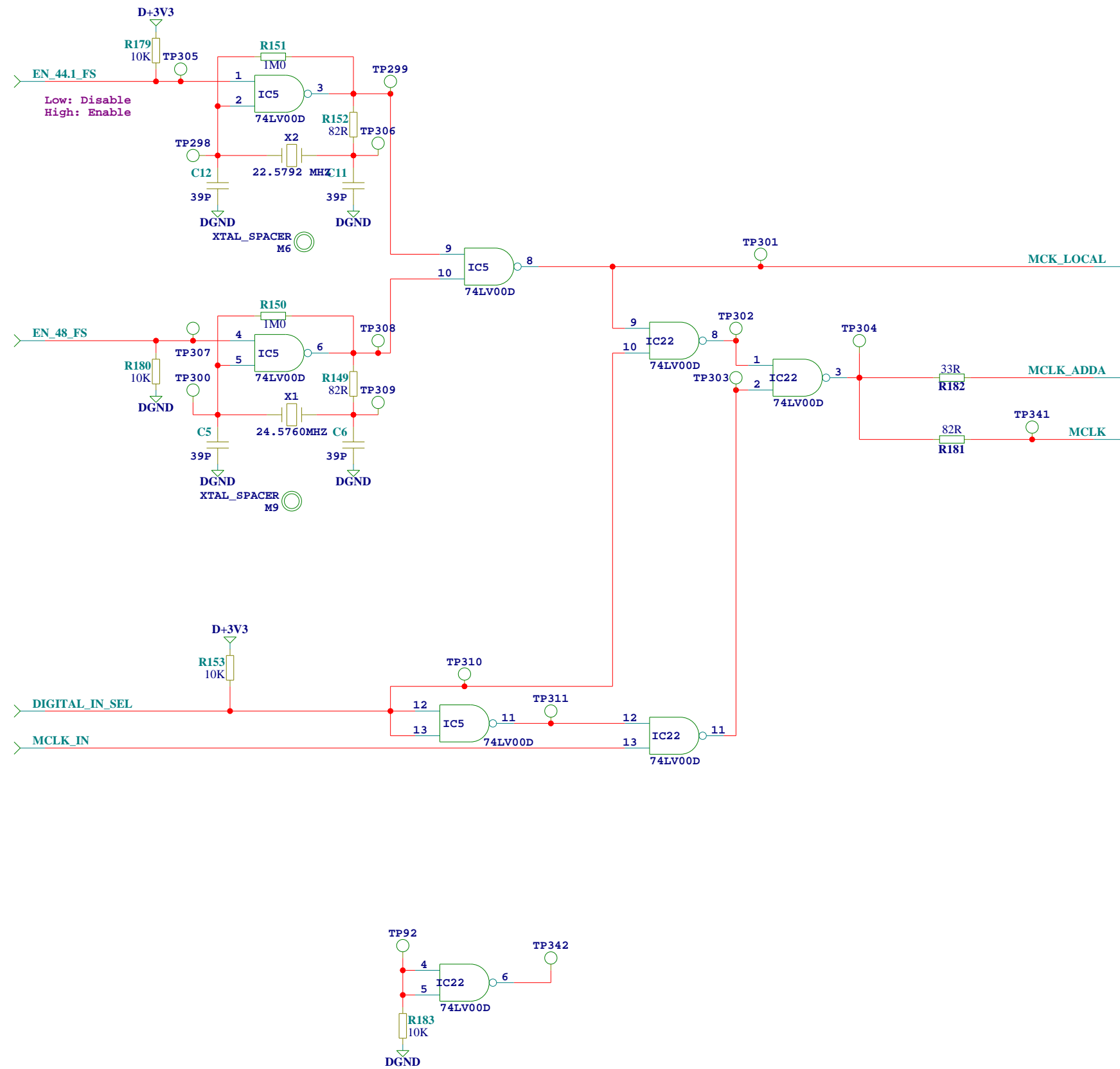
TC Electronic A/S		Designer MAR,NIM
Title G-MAJOR-2 MANHATTAN JACK	Module title MIDI INTERFACE	
Number P16001	Revision FDE	Previous page 1
Date 8-30-2011 9:40	Filename MIDI	Page / of 12 / 13



Title		Designer
G-MAJOR-2 MANHATTAN JACK		MAR,NIM
Module title		
PEDAL INTERFACE		
Number	Revision	Previous page
P16001	FDE	1
Date	Filename	Page / of
8-30-2011 9:40	PEDAL	13 / 13

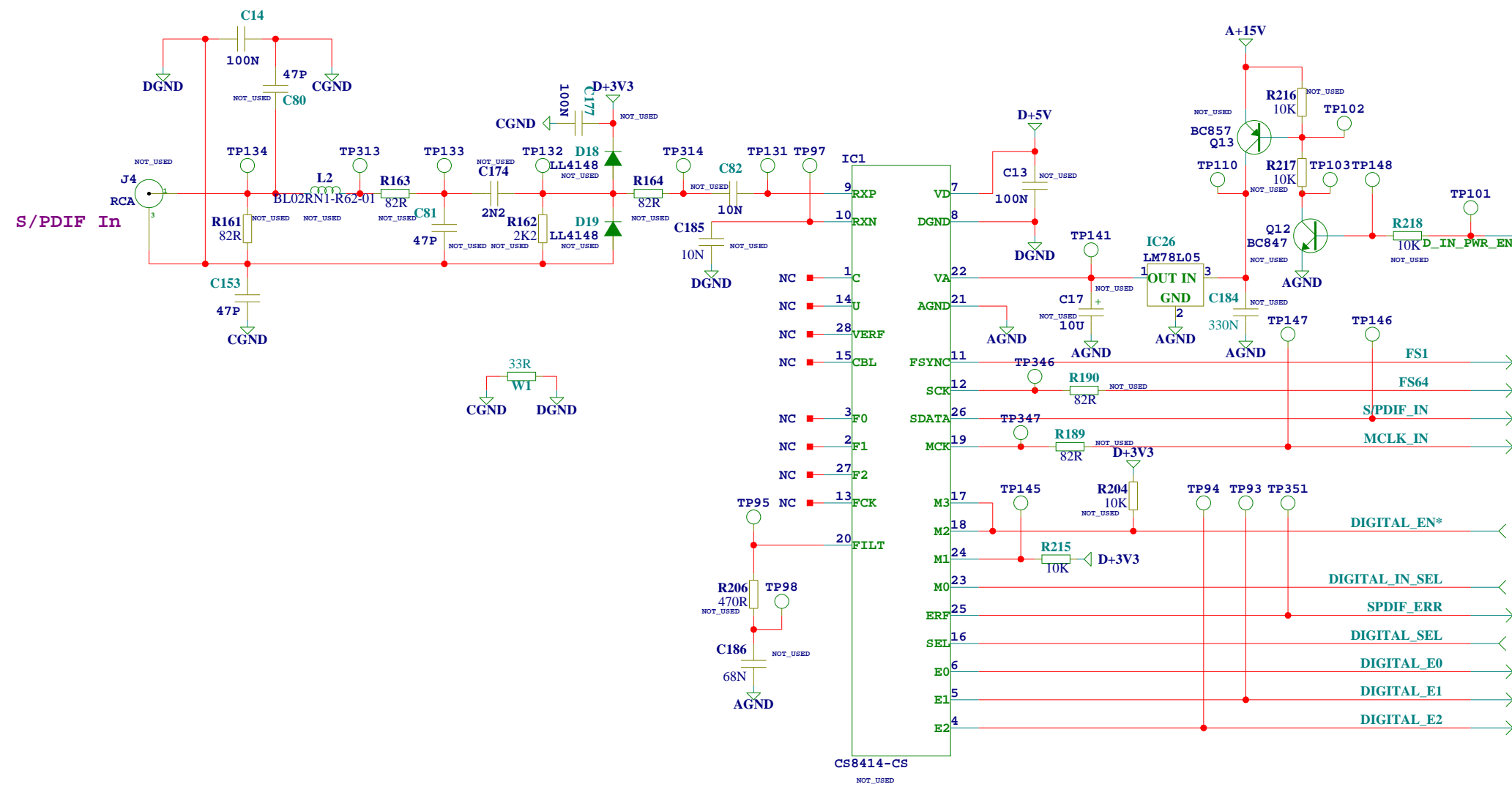


Title		Designer
G-MAJOR-2 MANHATTAN JACK		MAR,NIM
Number	Revision	Previous page
P16001	FDE	1
Date	Filename	Page / of
8-30-2011 9:40	CODEC	8 / 13

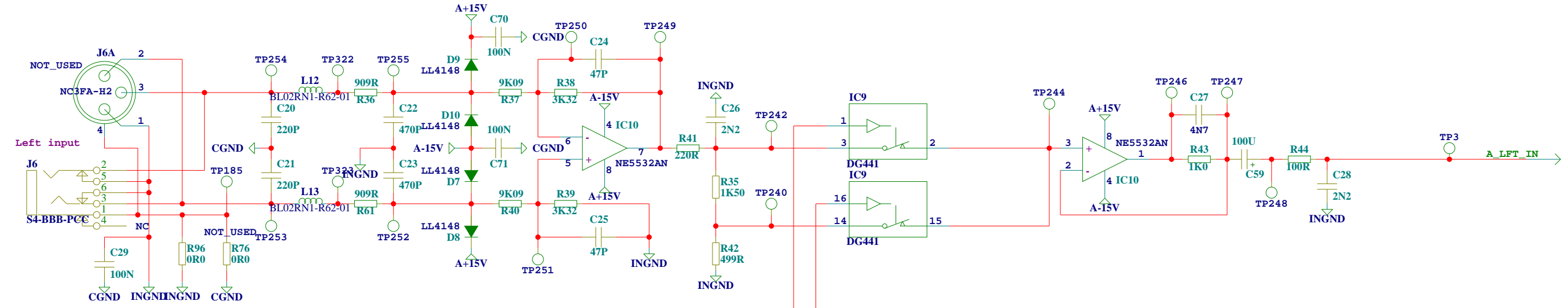


TC Electronic A/S		Designer MAR,NIM
Title G-MAJOR-2 MANHATTAN JACK	Module title CLOCK	
Number P16001	Revision FDE	Previous page 1
Date 8-30-2011 9:40	Filename CLOCK	Page / of 6 / 13



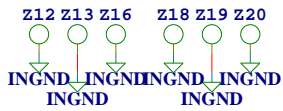
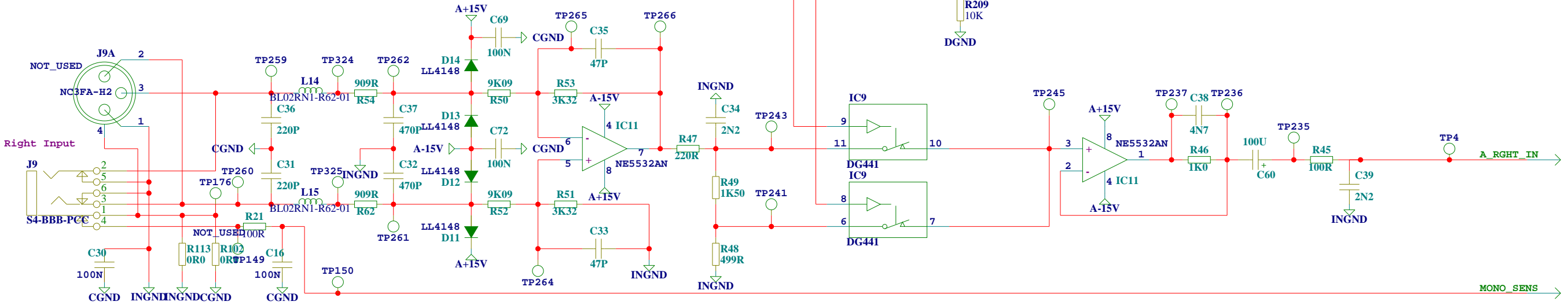


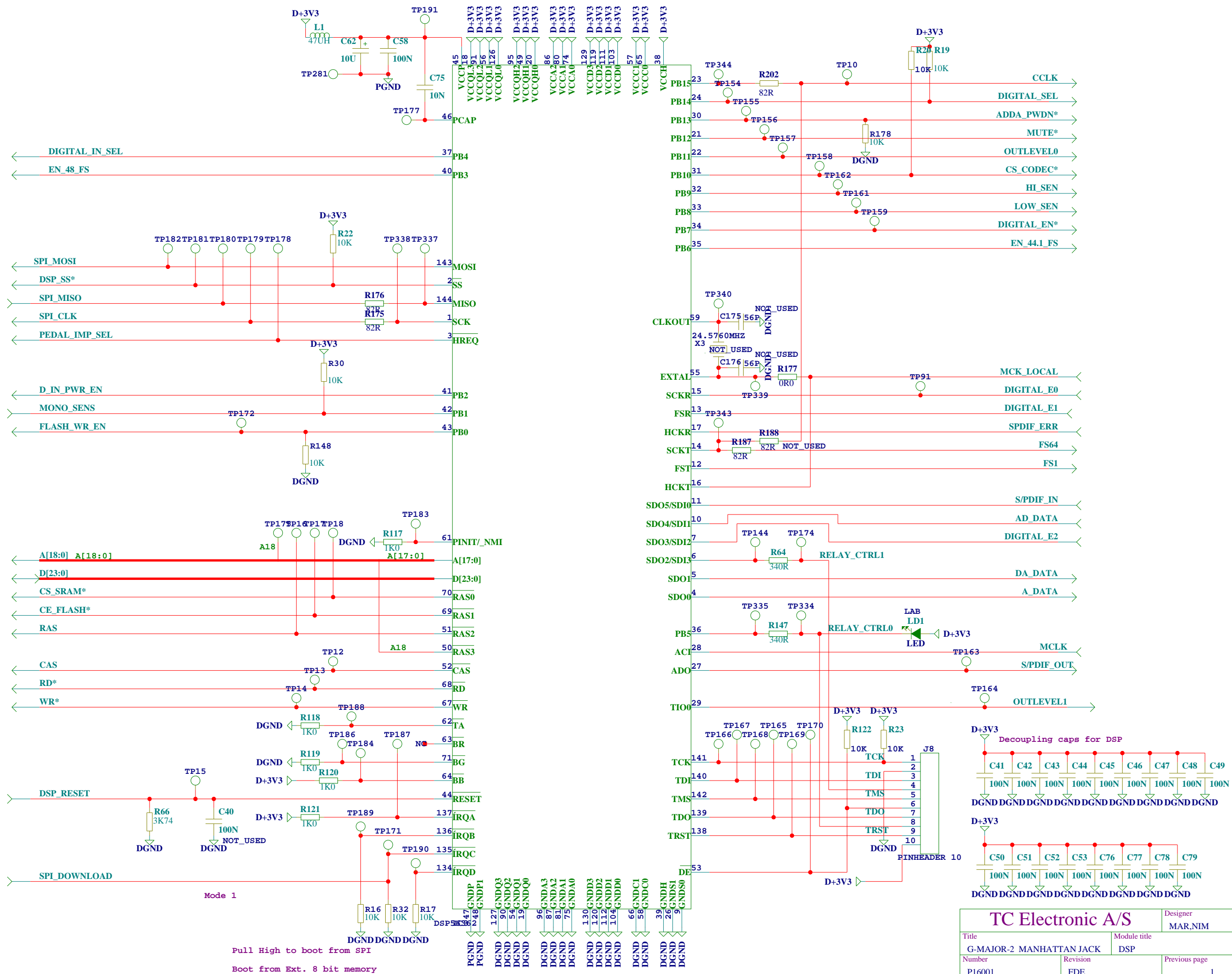
Title		Designer
G-MAJOR-2 MANHATTAN JACK		MAR,NIM
Module title		DIGITAL INPUT
Number	Revision	Previous page
P16001	FDE	1
Date	Filename	Page / of
8-30-2011 9:40	DIGITAL_IN	10 / 13



JACK version: R96 and R113 (0 ohm) mounted.

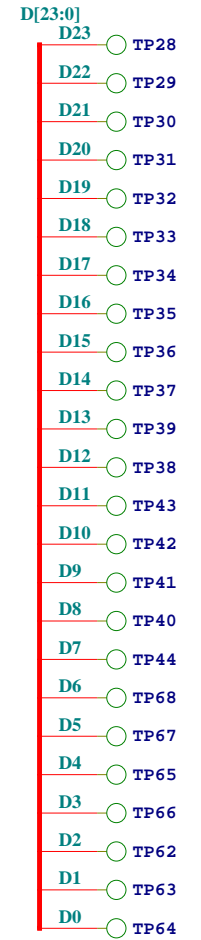
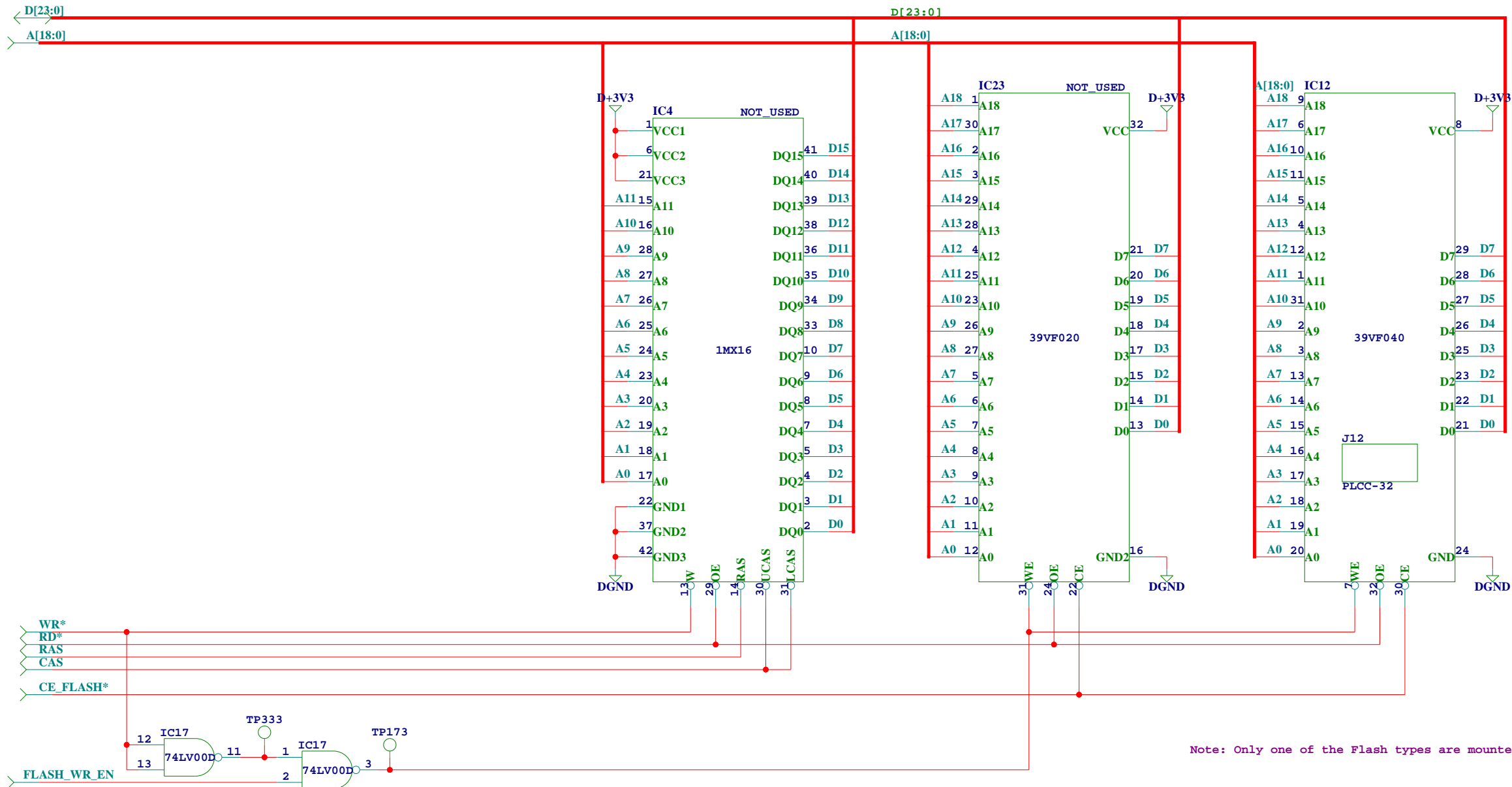
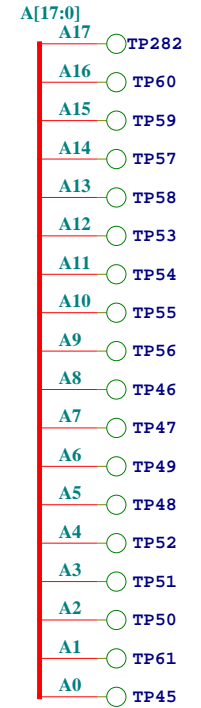
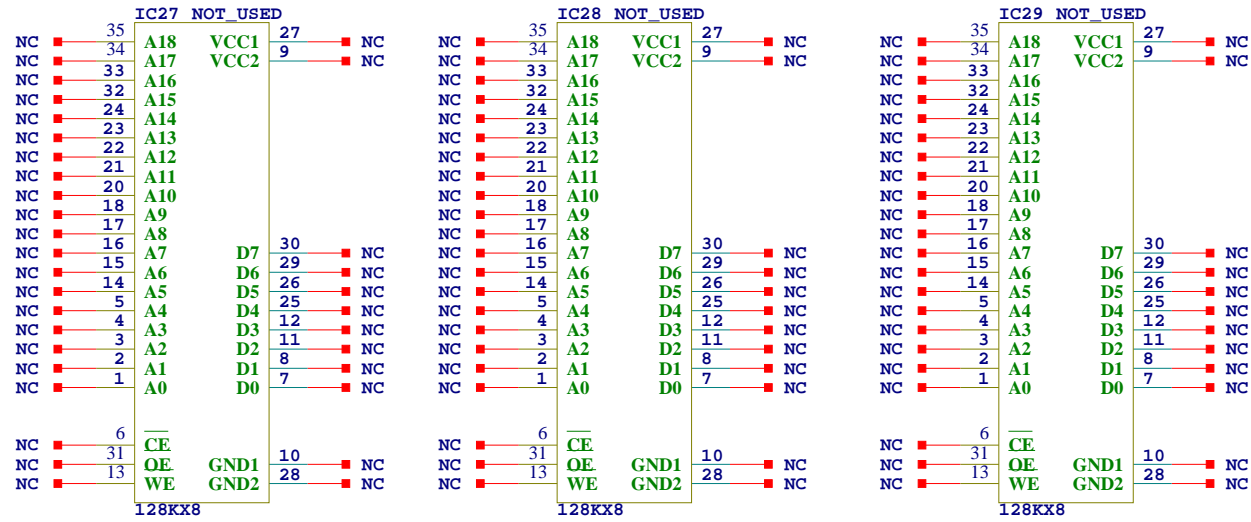
XLR version: R76 and R102 (0 ohm) mounted





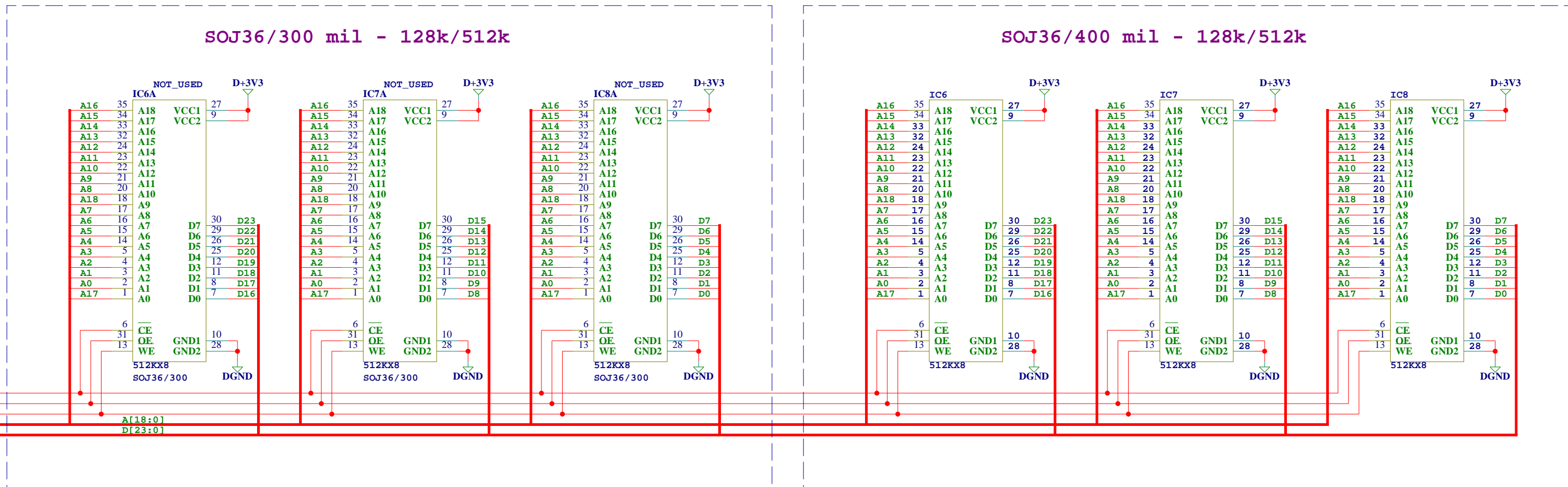
<b>TC Electronic A/S</b>		Designer
		MAR,NIM
Title	Module title	
G-MAJOR-2 MANHATTAN JACK	DSP	
Number	Revision	Previous page
P16001	FDE	1
Date	Filename	Page / of
8-30-2011 9:40	DSP	3 / 13

These devices defines the SRAM on the Partlist



Note: Only one of the Flash types are mounted

TC Electronic A/S		Designer
G-MAJOR-2 MANHATTAN JACK		MAR.HK.NIM
Title	Module title	
Number	Revision	Previous page
P16001	FDE	1
Date	Filename	Page / of
8-30-2011 9:40	MEM	4 / 13



These SRAM devices defines the PCB layout