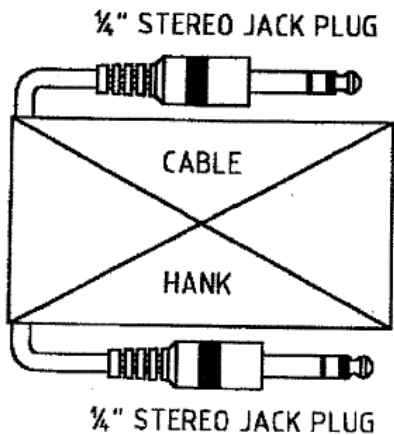
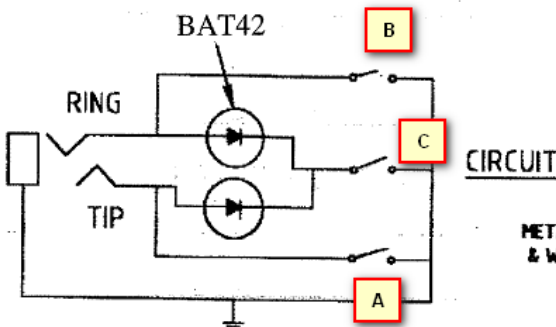


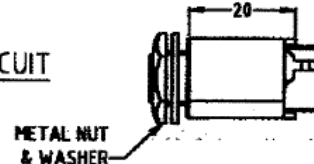
CLIFF



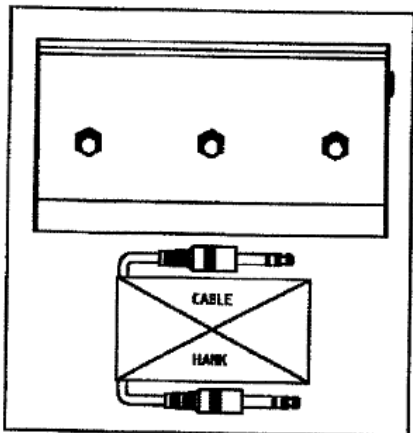
CABLE LENGTH
5000mm ±50



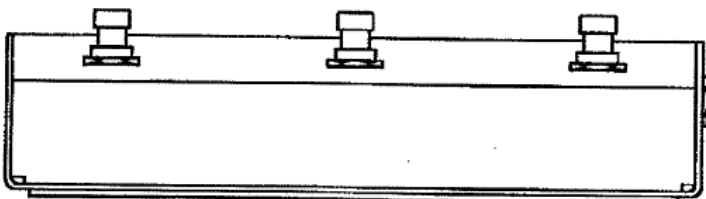
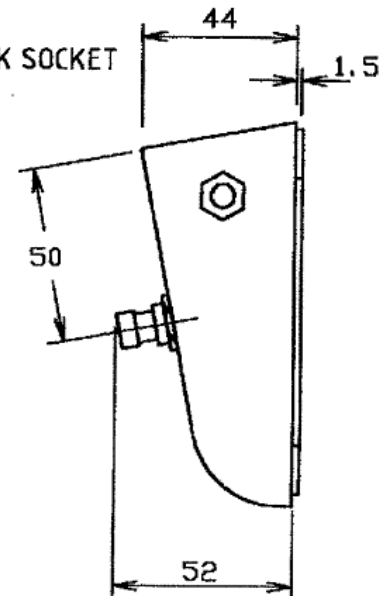
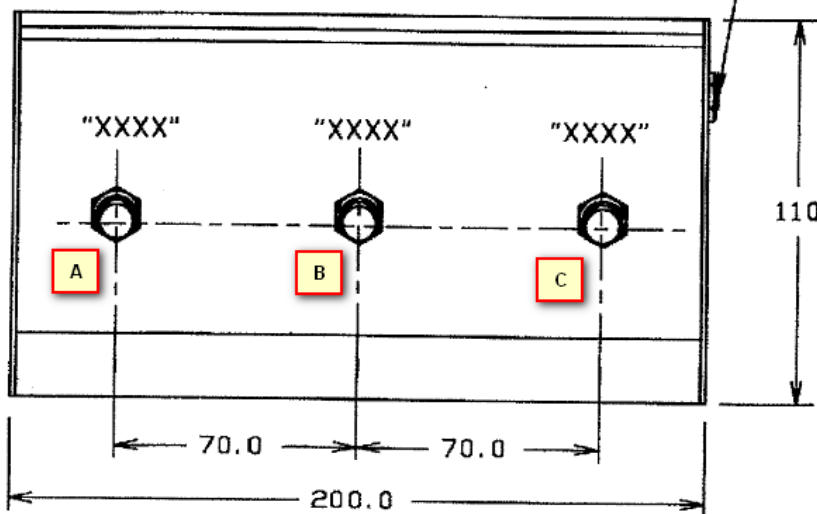
PREFERRED JACK SOCKET
1/4" STEREO VERTICAL TYPE
e.g. JYE TAI JY6353-02-030



ISS.	AMEND	DATE
A	1st DRAWN	5/2/82
B	DETAILS ADDED	8/2/82



PACK 1 PC PER CARTON WITH CABLE
CARTON PRINTED ONE COLOUR ON TOP



Switches are DPDT with poles linked.
"XXXX" PRINTED AS PER ARTWORK

TOLERANCE	
NO DEC. PLACE	±
1 DEC. PLACE	± 0.20
2 DEC. PLACE	±
HOLE DIA.	±
ANGLES	±
UNLESS OTHERWISE STATED	
WHERE USED F.R.	
SCALE N.T.S.	

DIMENSIONS IN MILLIMETERS UNLESS OTHER WISE STATED. WORK TO DIMENSIONS. DO NOT SCALE DRAWING. 3rd ANGLE PROJECTION. REMOVE ALL BURRS. IF IN DOUBT ASK.

Cliff Electronic Components Ltd.
76 Helmeathorpe Ave., Helmeathorpe Ind. Estate,
Redhill, Surrey, RH1 2PF, England
Tel: 01737-771375 Fax: 01737-766812

MATERIAL	COMPOSITE
FINISH	CLEAN
DRAWN	CAMJ
APPD.	RWT

TITLE TRIPLE FOOTPEDAL

DRWG. No. **FCR 6921P**

FORM: A4DRWH