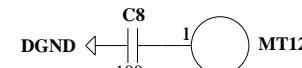
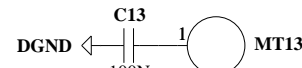
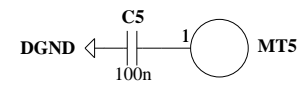
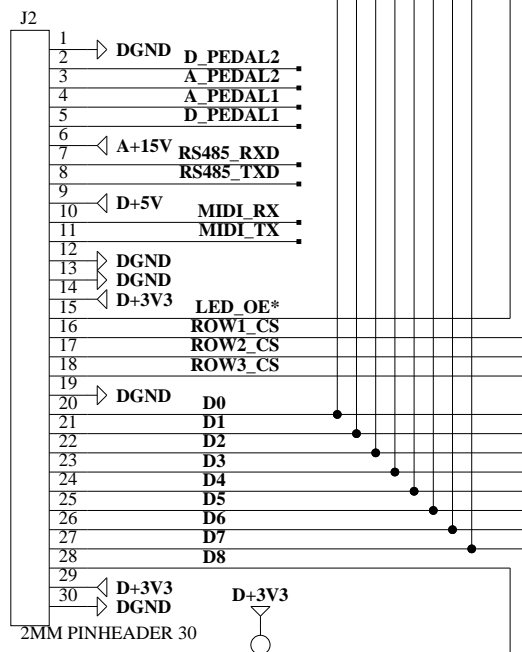
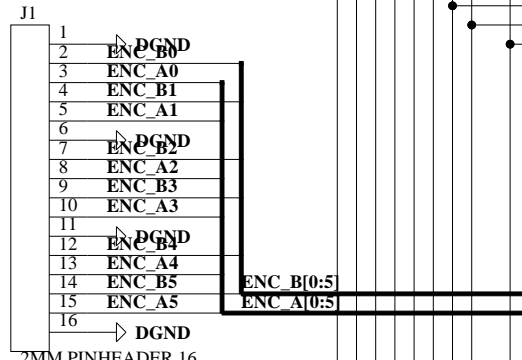
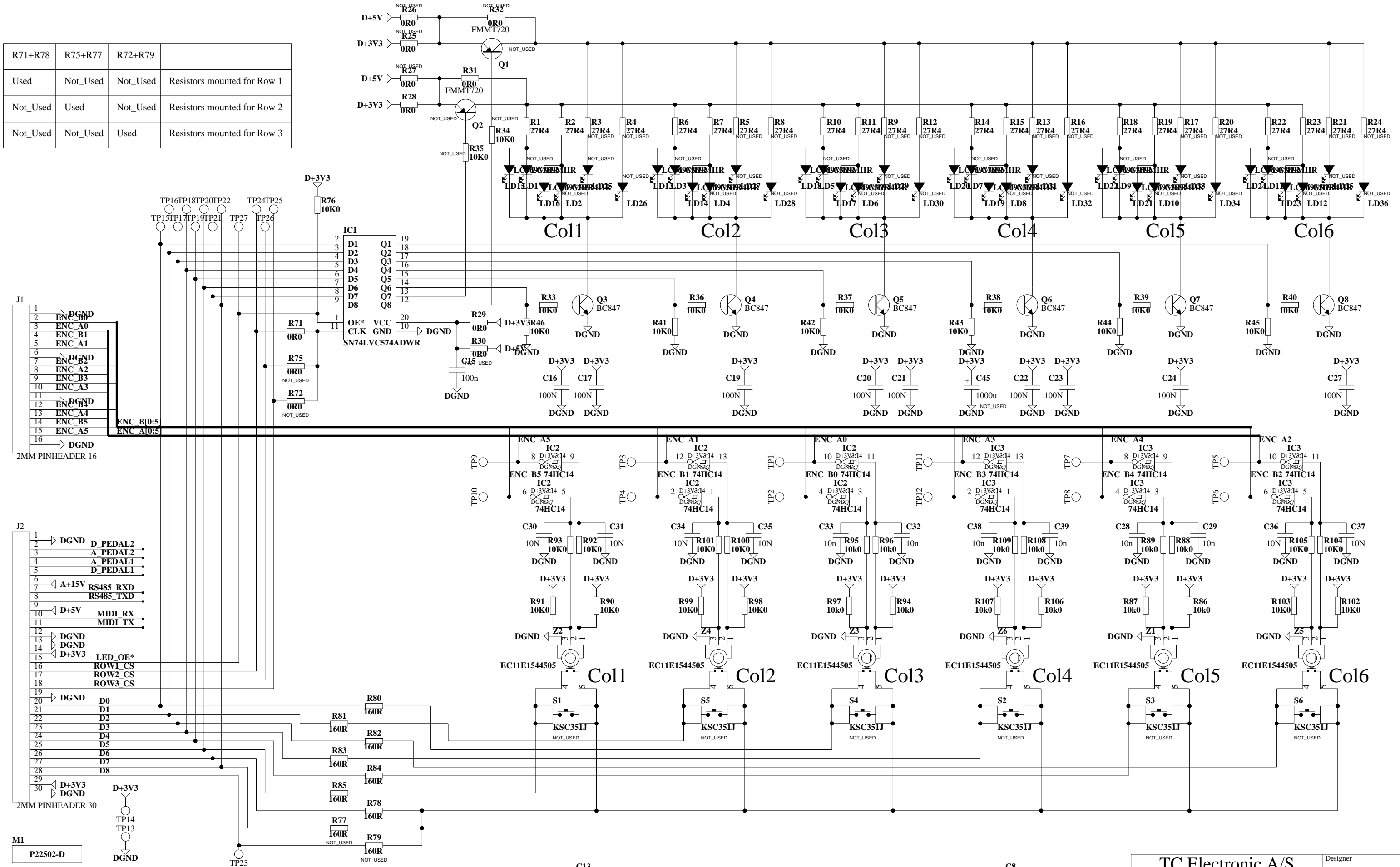


R71+R78	R75+R77	R72+R79	
Used	Not_Used	Not_Used	Resistors mounted for Row 1
Not_Used	Used	Not_Used	Resistors mounted for Row 2
Not_Used	Not_Used	Used	Resistors mounted for Row 3



TC Electronic A/S		Designer
GFLAT		HJE
Module title		
SWITCH ROW 1		
Number	Revision	Previous page
P22502	DAB	XX
Date	Filename	Page / of
3-1-2005_11:02	P22502_DAB	1/1