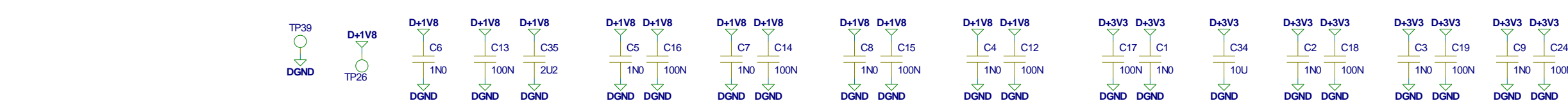
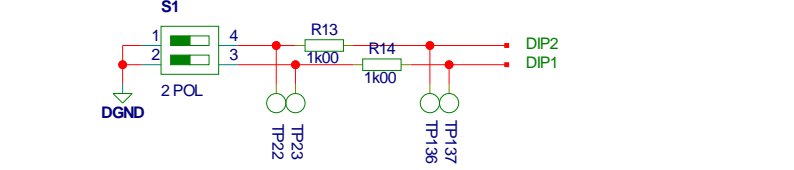
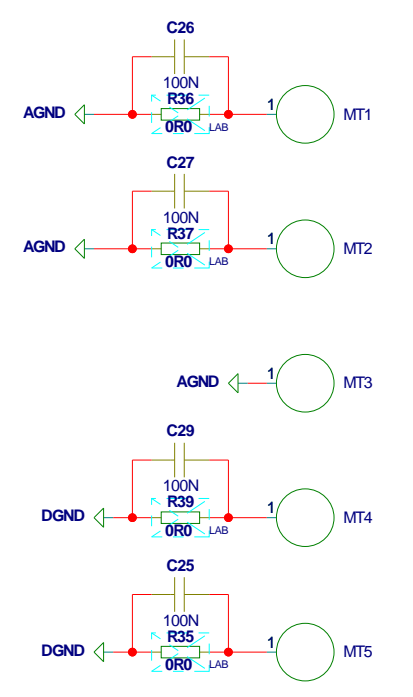
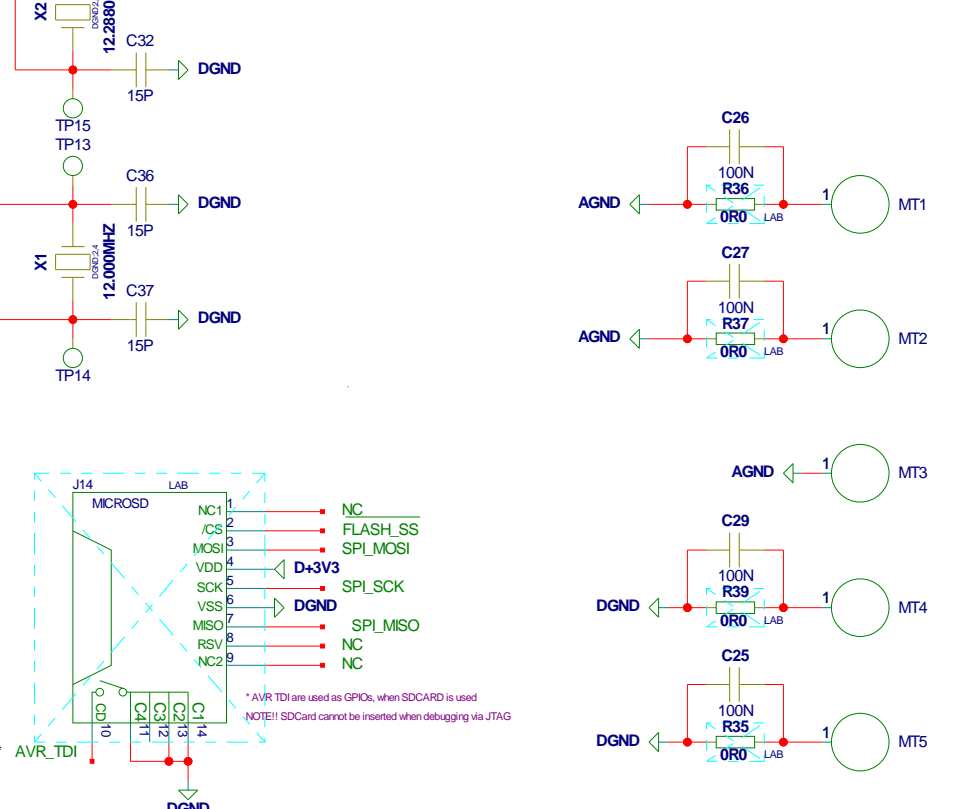
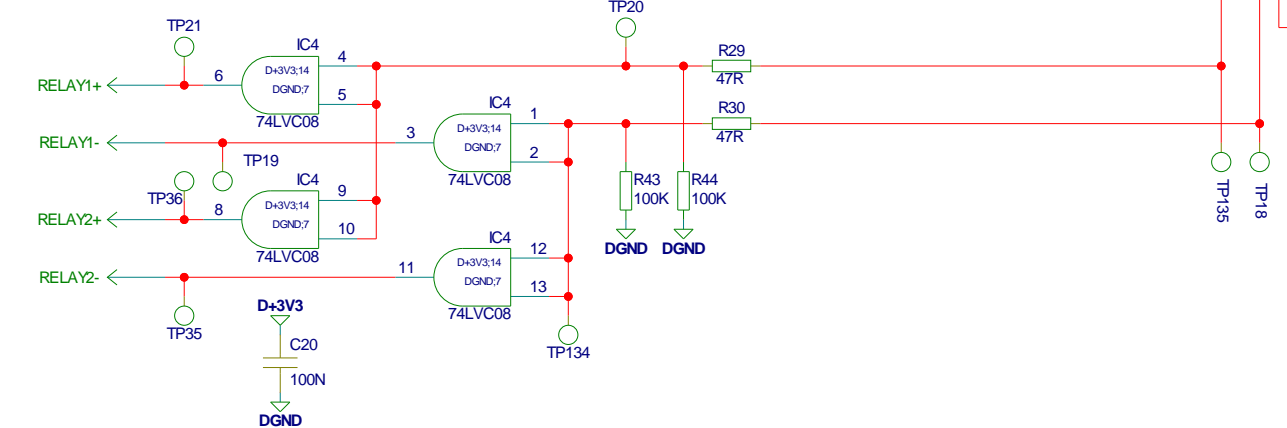
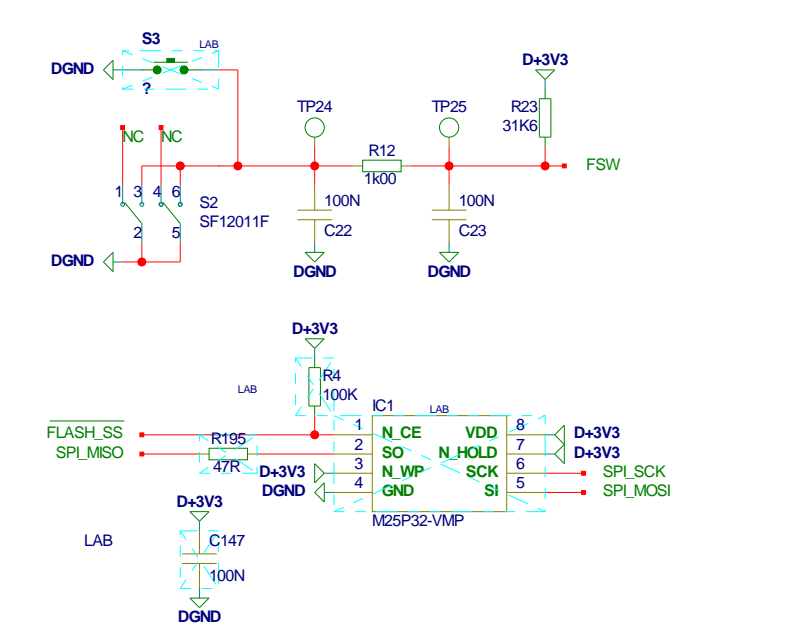
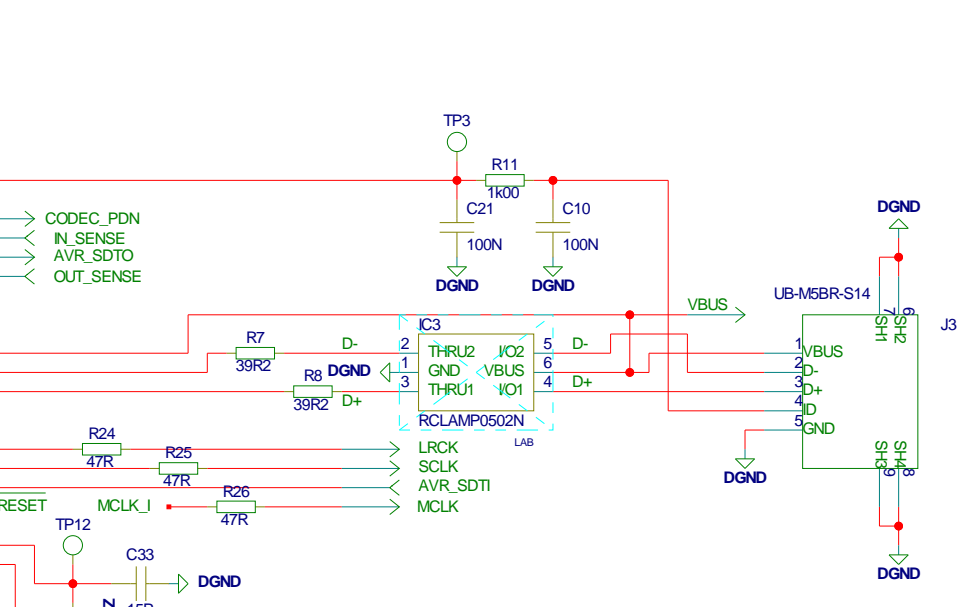
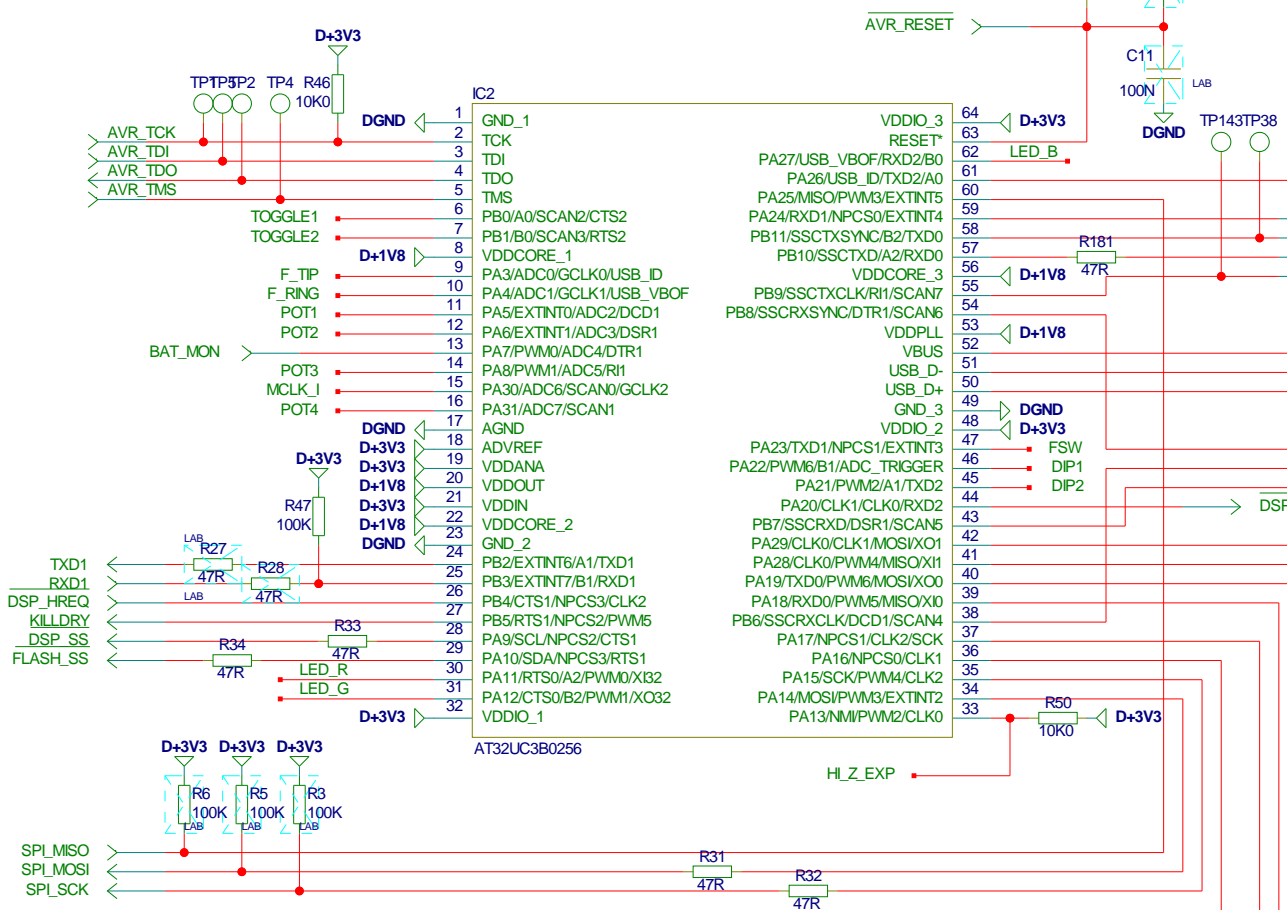
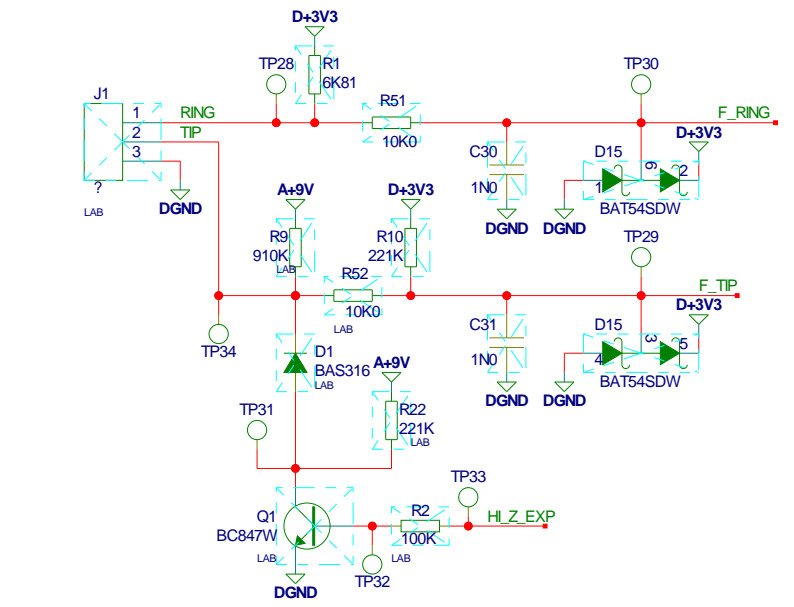
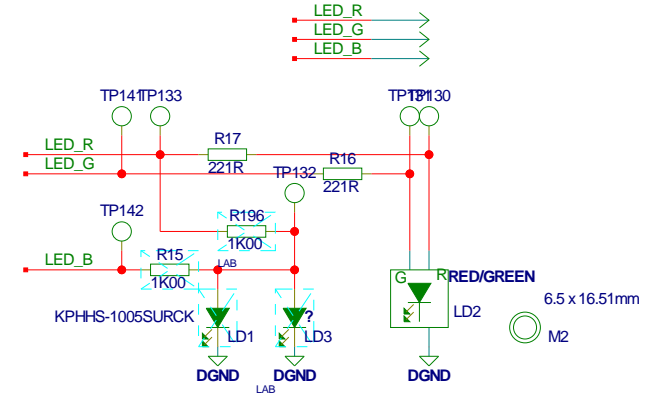
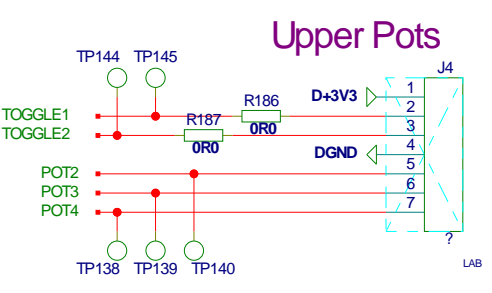
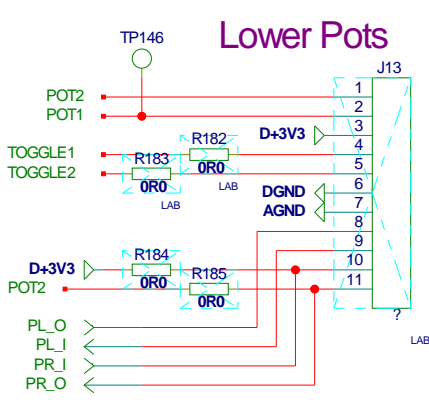


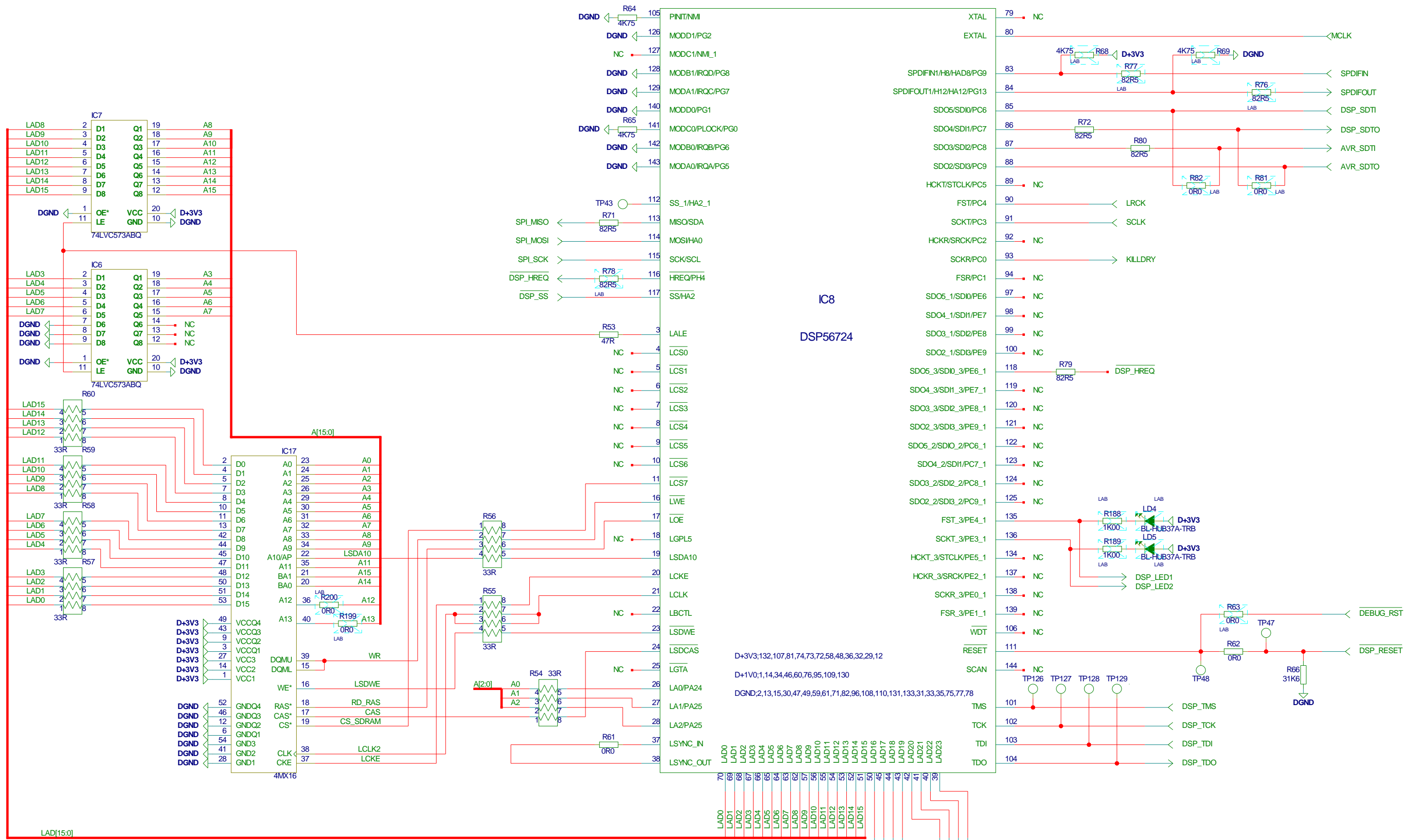
M1  
P22381-B

### HALL OF FAME REVERB

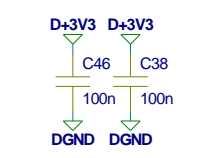
TC Electronic A/S		Designer HJE/PRO
Title ERIK MAINBOARD 724	Module title OVERVIEW	
Number P22381	Revision BBE	Previous page XX
Date 7-6-2011_9:29	Filename P22381-B_B	Page / of 1 / 6



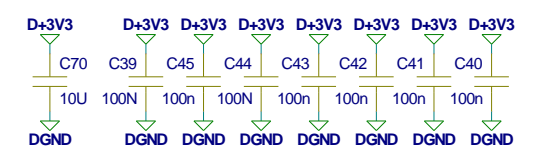
<b>TC Electronic A/S</b>		Designer	HJE/PRO
Title	ERIK MAINBOARD 724	Module title	UC_AND_CONNECTS
Number	P22381	Revision	BAD
Date	7-5-2011 12:16	Filename	UC_AND_CONNECTS_B_1
		Previous page	1
		Page / of	2 / 6



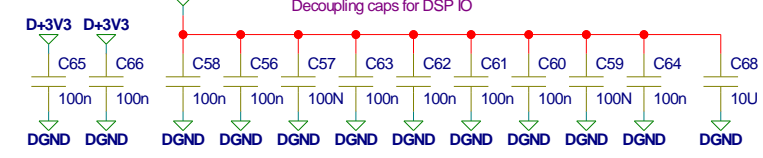
Decoupling caps for Latch



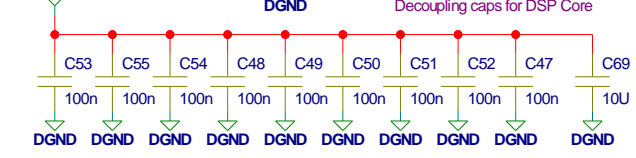
Decoupling caps for SDRAM



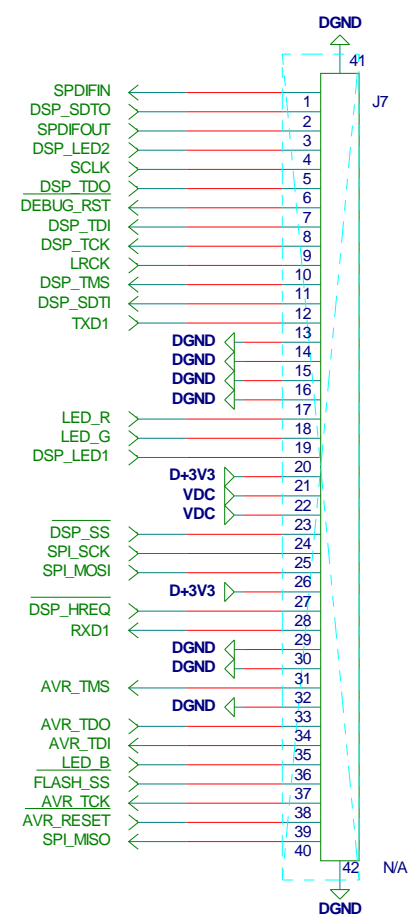
Decoupling caps for DSP IO



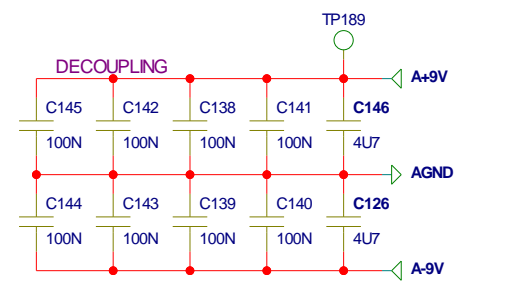
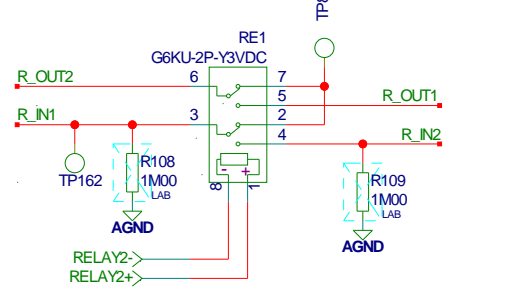
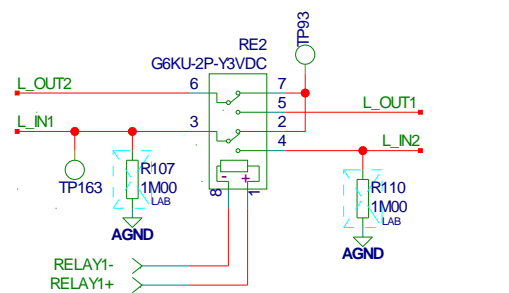
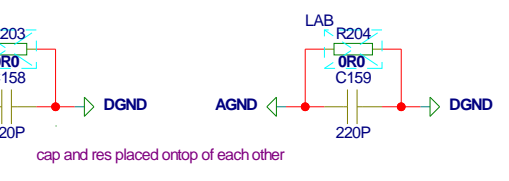
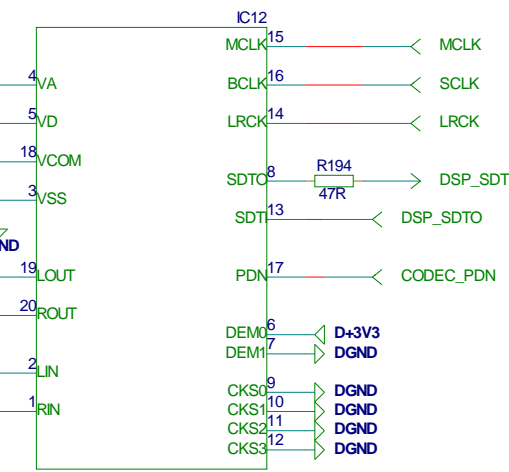
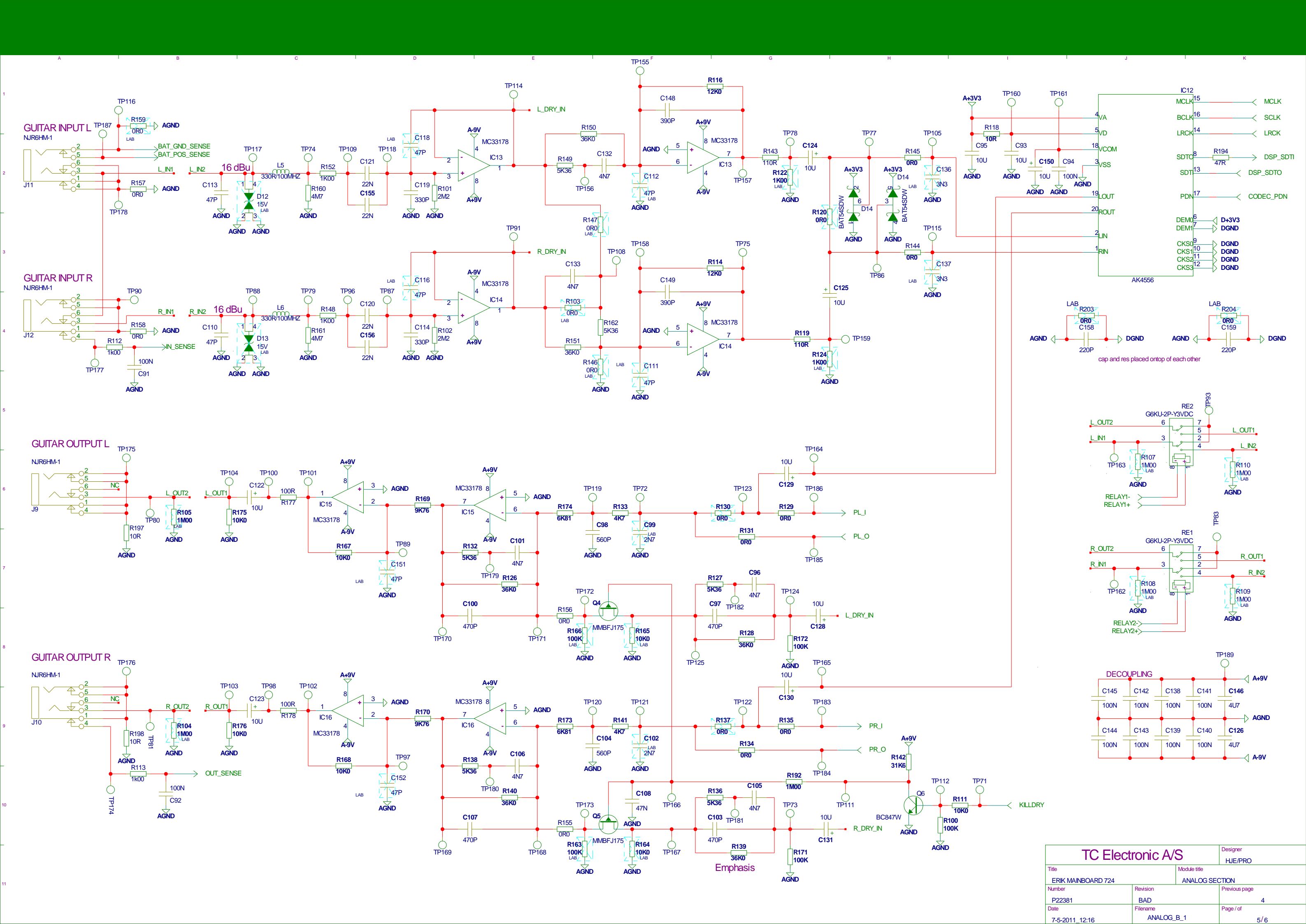
Decoupling caps for DSP Core



<b>TC Electronic A/S</b>		Designer	HJE/PRO
Title	ERIK MAINBOARD 724	Module title	DSP SECTION
Number	P22381	Revision	BAD
Date	7-5-2011 12:16	Filename	DSP724_B_1
		Previous page	2
		Page / of	3 / 6

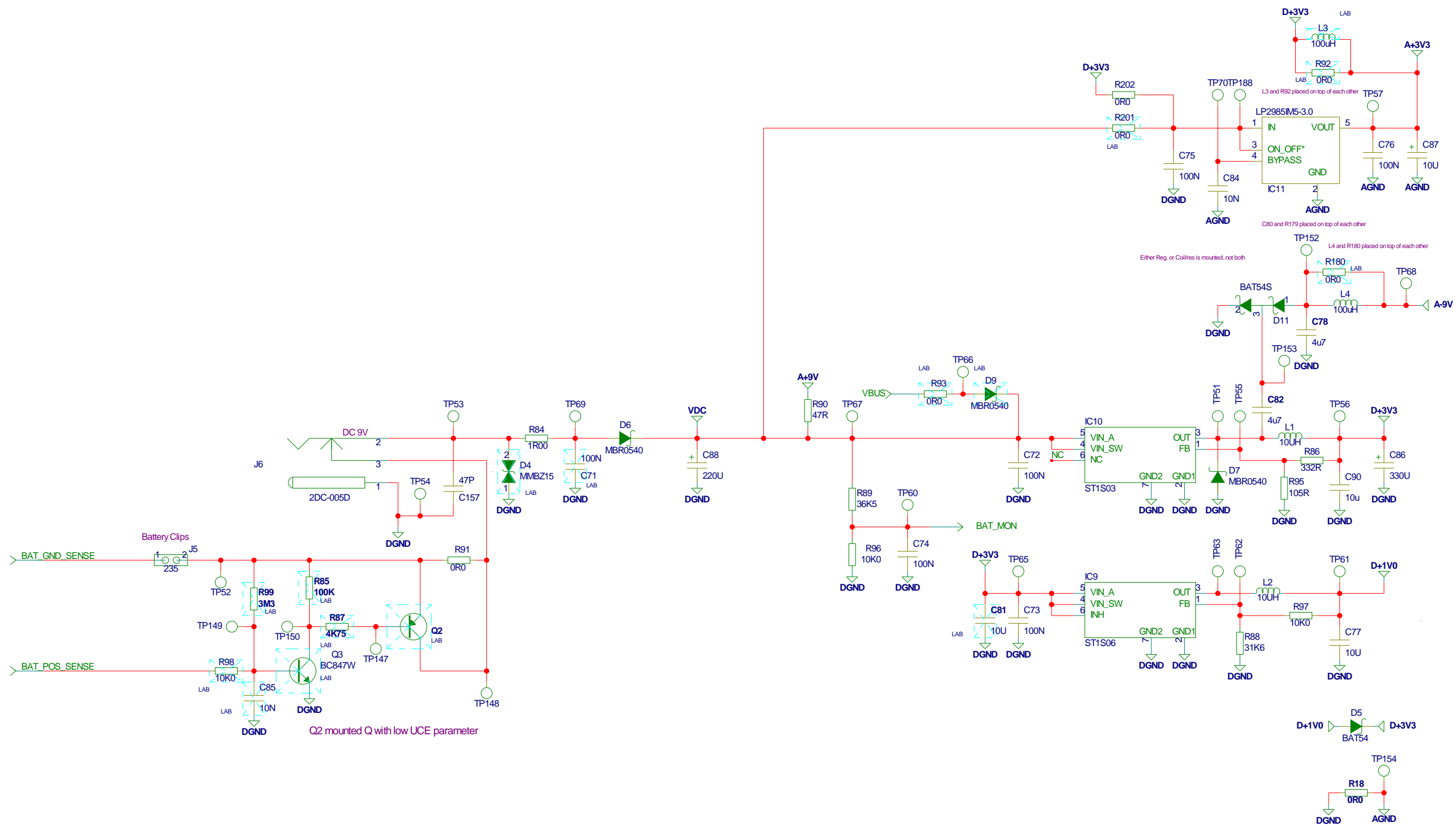


<b>TC Electronic A/S</b>		Designer HJE/PRO
Title ERIK MAINBOARD 724		Module title DEBUG CONNECTOR
Number P22381	Revision BAD	Previous page 3
Date 7-5-2011 12:16	Filename DEBUGINTERFACE_B_1	Page / of 4 / 6



Emphasis

<b>TC Electronic A/S</b>		Designer	HJE/PRO
Title		Module title	
ERK MAINBOARD 724		ANALOG SECTION	
Number	Revision	Previous page	
P22381	BAD	4	
Date	Filenam	Page / of	
7-5-2011_12:16	ANALOG_B_1	5 / 6	



Q2 mounted Q with low UCE parameter

Either Reg. or Coilvies is mounted .not both

L3 and R92 placed on top of each other

C80 and R179 placed on top of each other

L4 and R180 placed on top of each other

<b>TC Electronic A/S</b>		Designer HJE/PRO
Title ERIK MAINBOARD 724		Module title POWER SUPPLY
Number P22381	Revision BAD	Previous page 5
Date 7-5-2011_12:16	Filename POWER_B_1	Page / of 6 / 6