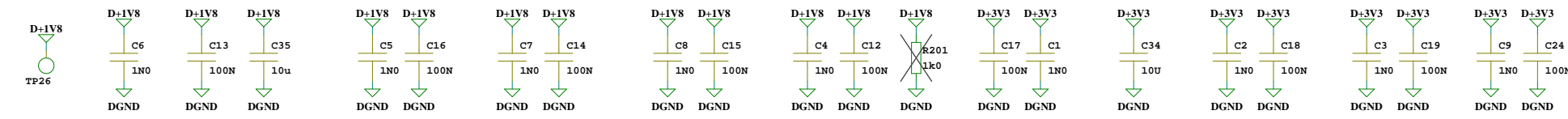
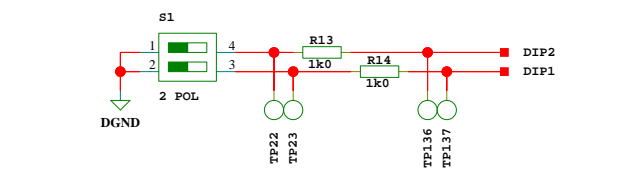
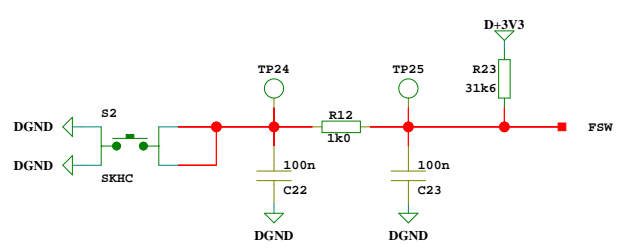
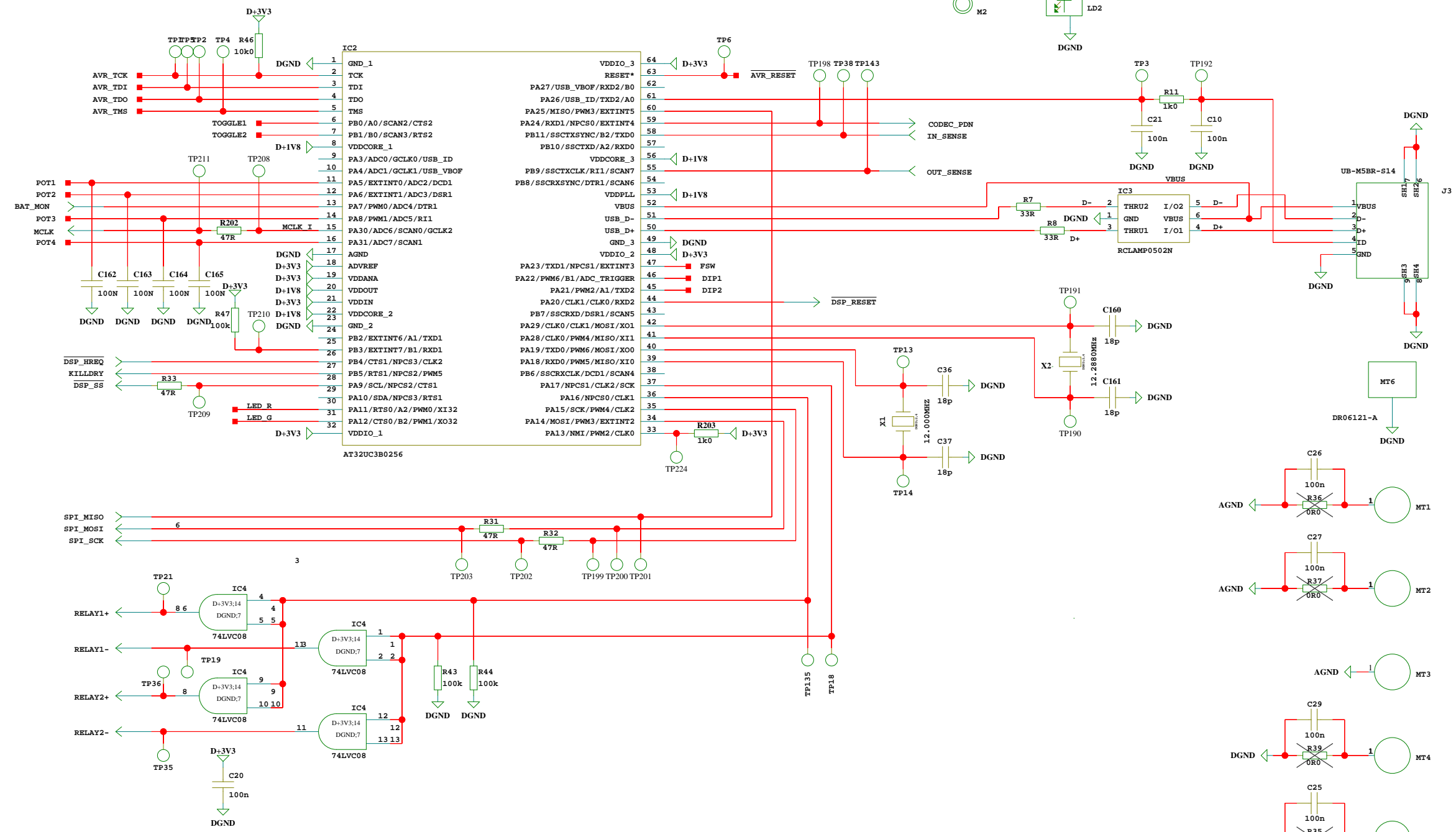
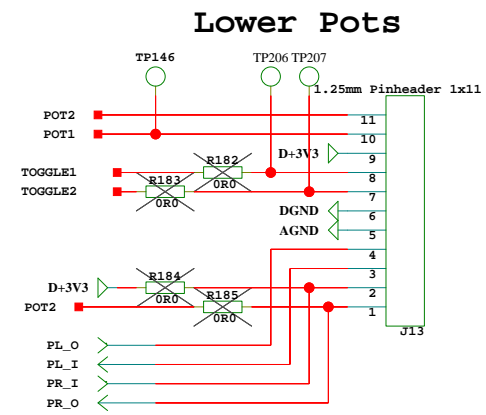
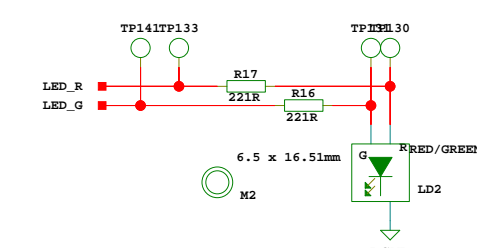
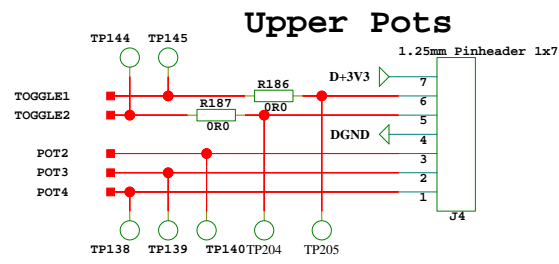
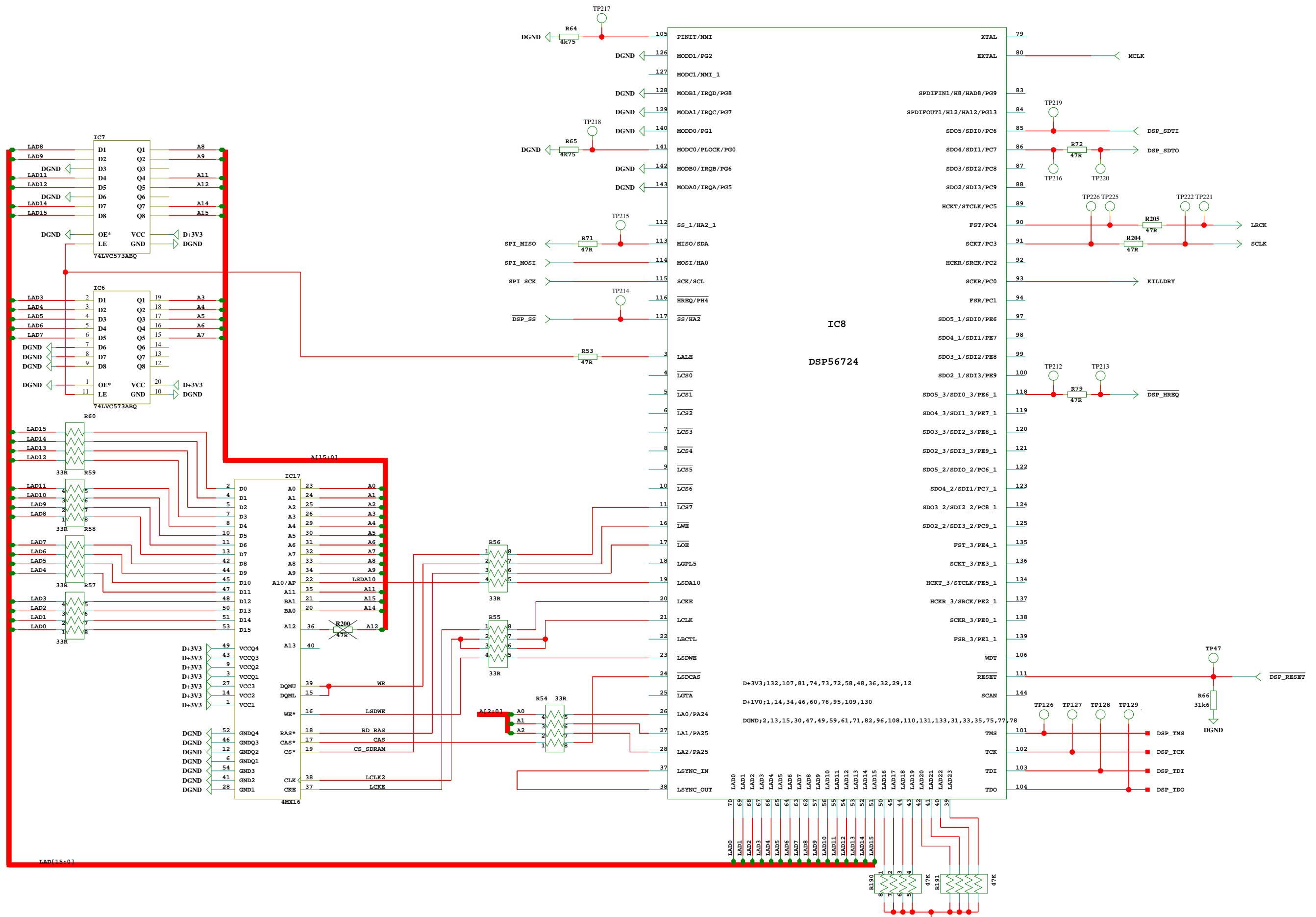


M1
 P22381-D
 PCB

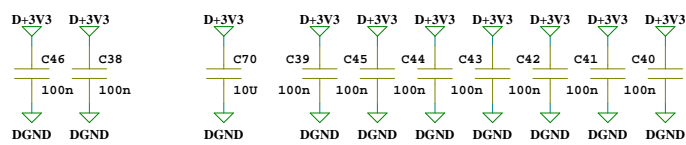
		Designer(s) HJE/PRO		
Title HALLOFFAME (1096-ERIK)		Module title MODULE TITLE		
Number P22381	Revision D	Variant B	Version A	Board type MAINBOARD
Date 13/09/2013:15:13	Filename P22381-D	Page / of 1 / 5		



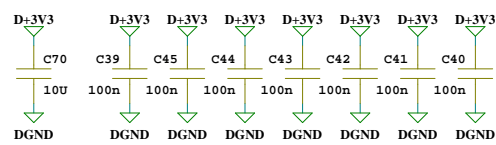
				Designer(s)	
Title HALLOFFAME (1096-ERIK)				HJE/PRO	
Number F22381				Module title MODULE TITLE	
Revision D		Variant B	Version A	Board type MAINBOARD	
Date 13/09/2013:15:13		Filename uc_and_connects		Page / of 2 / 5	



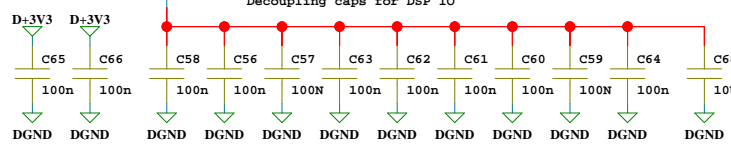
Decoupling caps for Latch



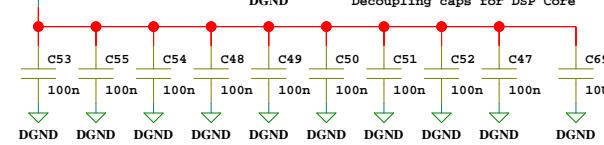
Decoupling caps for SDRAM



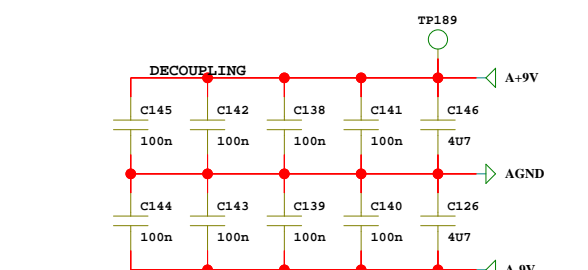
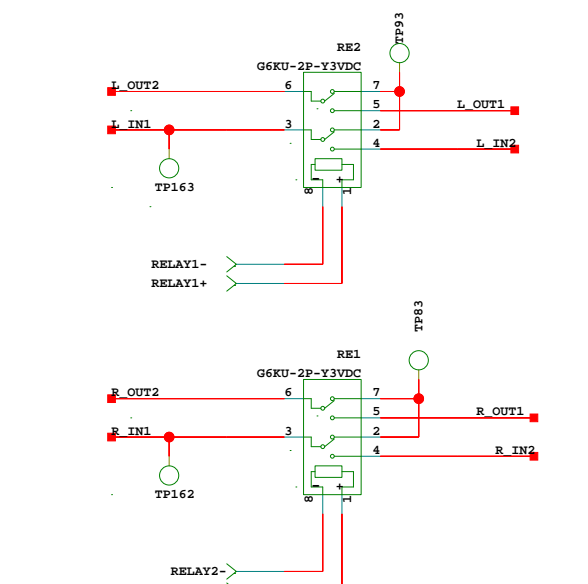
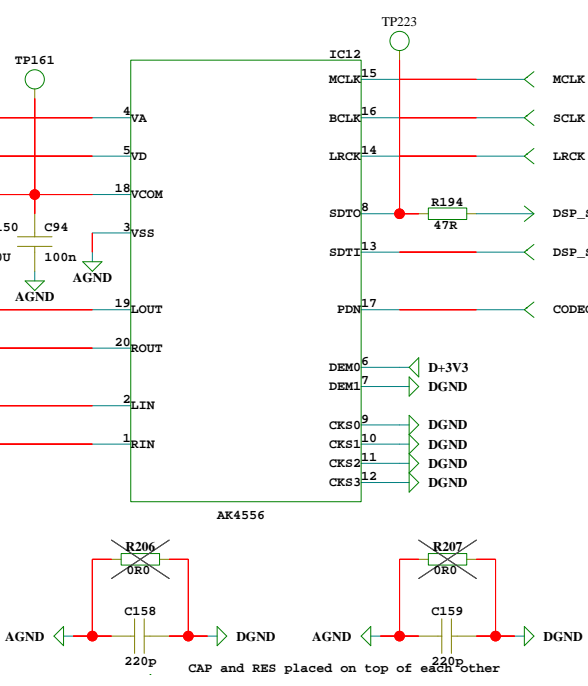
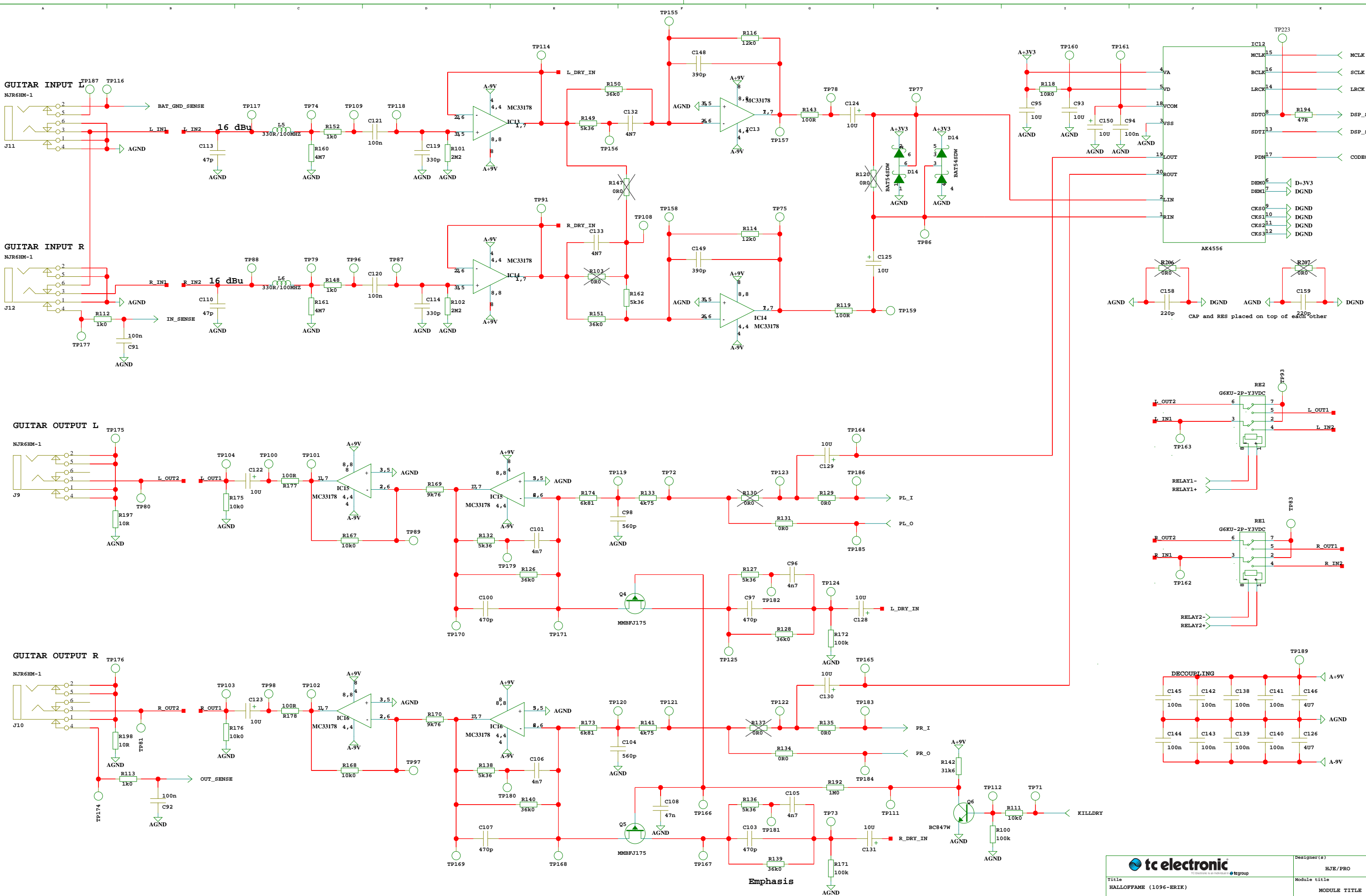
Decoupling caps for DSP IO



Decoupling caps for DSP Core



tc electronic				Designer(s)
Title: HALLOFFAME (1096-ERIK)				HJE/PRO
Revision: D				Module title
Variant: B				MODULE TITLE
Version: A				Board type
MAINBOARD				
Date: 13/09/2013:15:13	Filename: dsp724			Page / of: 3 / 5



Emphasis

tc electronic		Designer(s)		HJE/PRO
Title		Revision		Module title
HALLOFFAME (1096-ERIK)		Variant		MODULE TITLE
Number	P22381	D	B	A
Date	13/09/2013:15:13	Filename		analog
Board type		Page / of		4 / 5
MAINBOARD				

