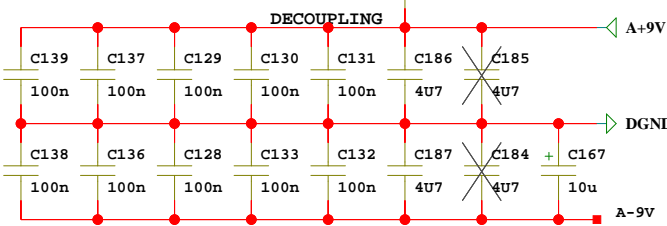
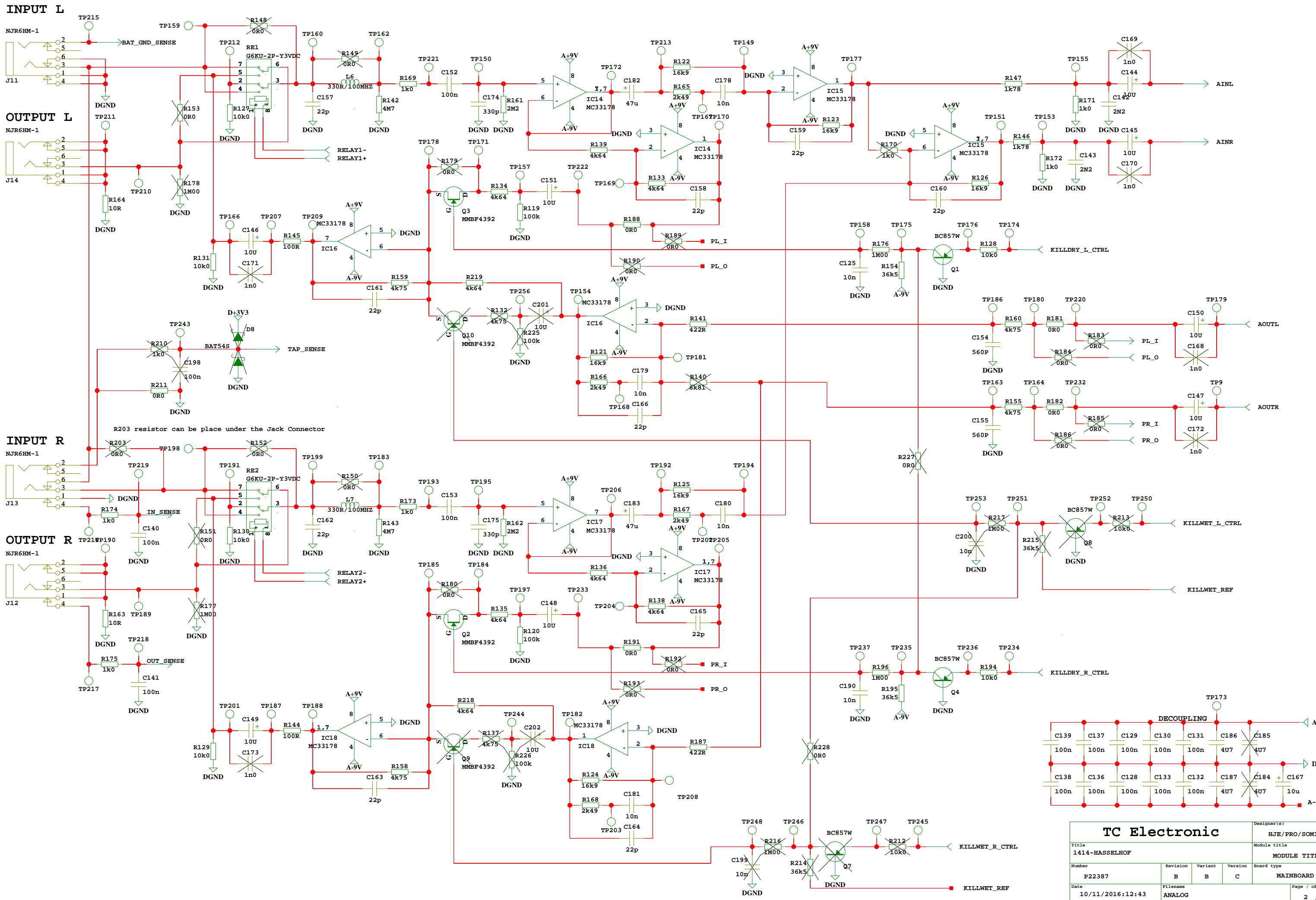
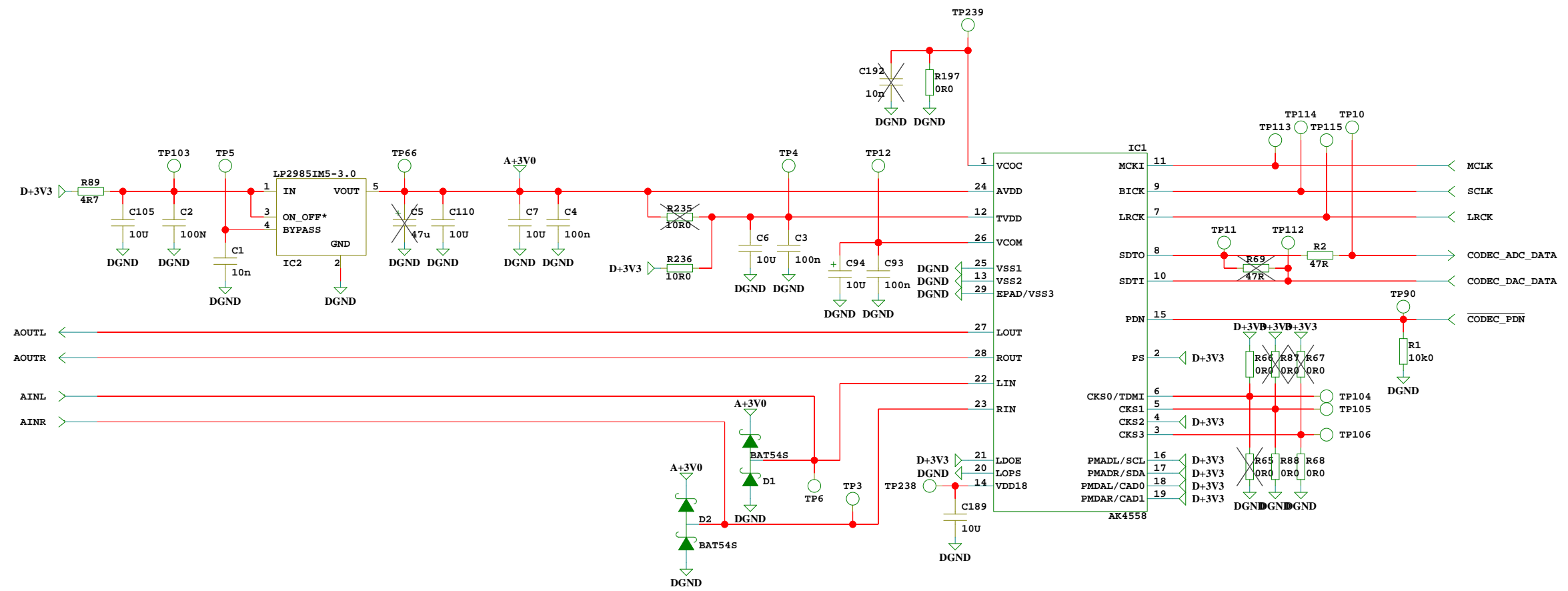


M1
 P22387-B
 pcb

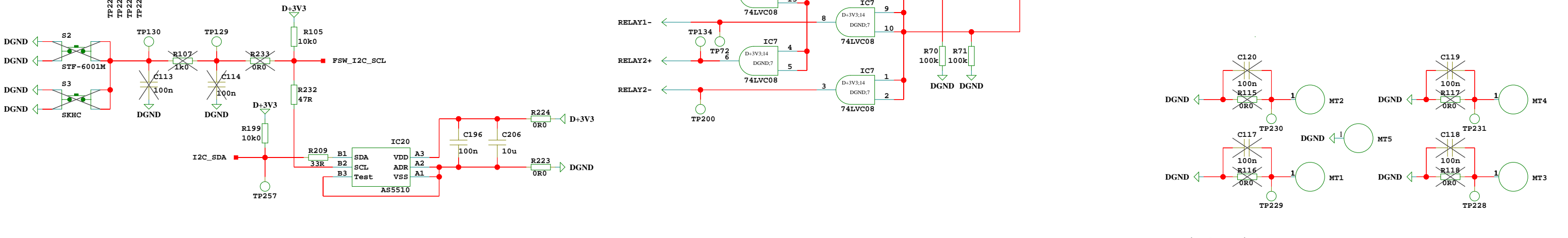
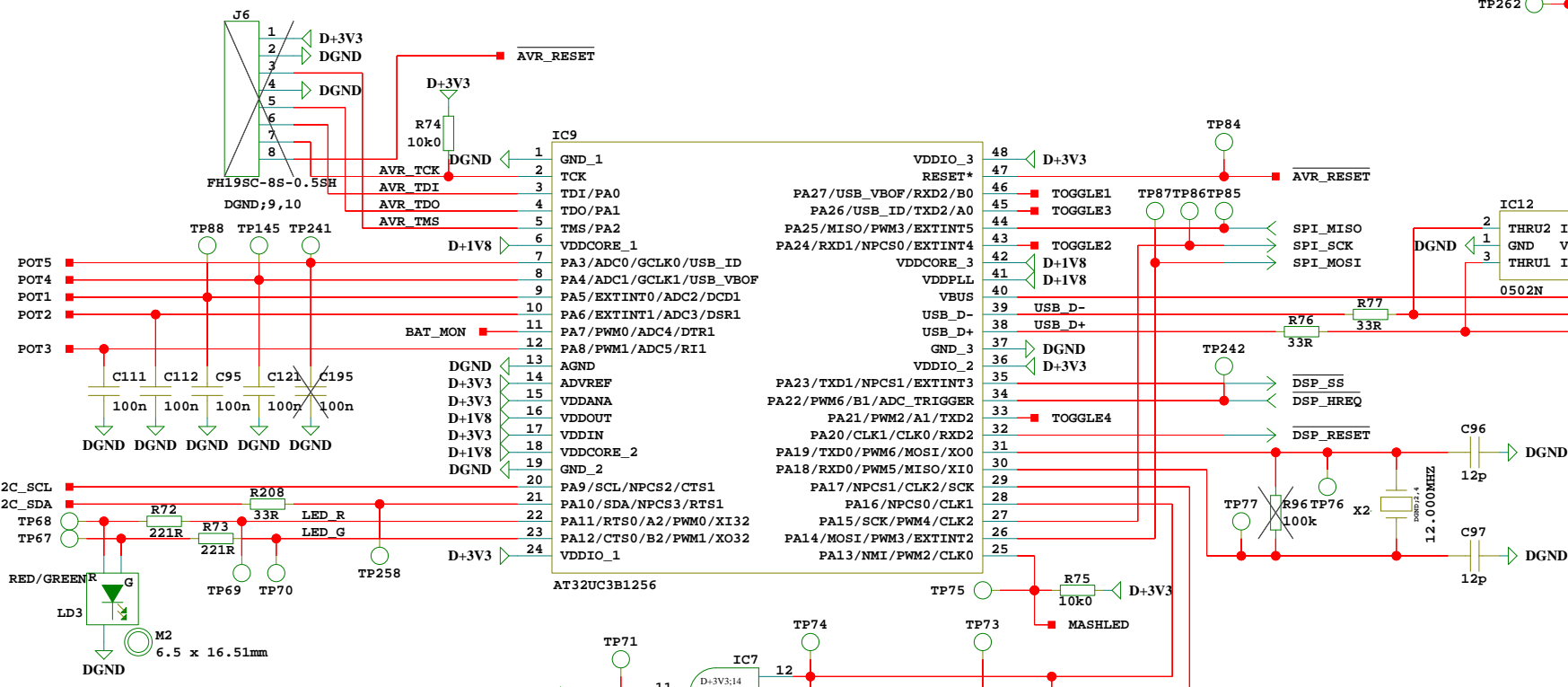
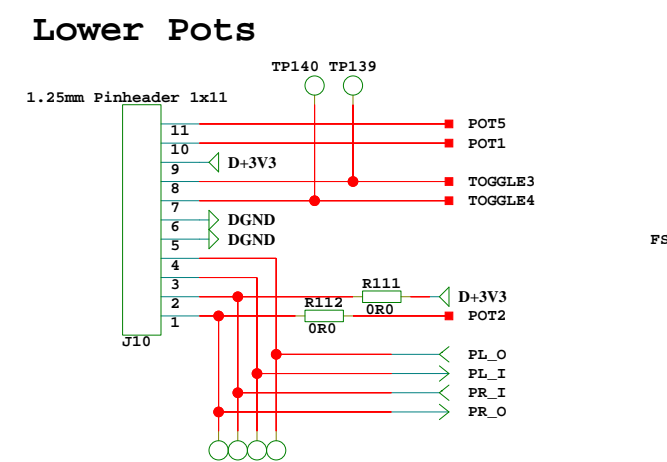
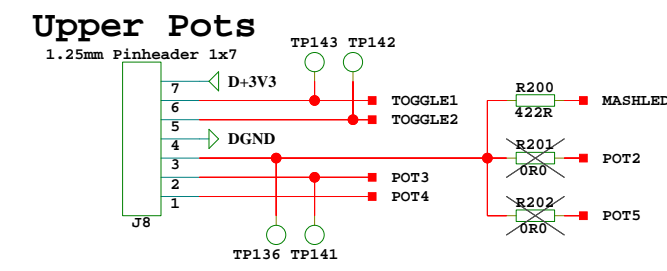
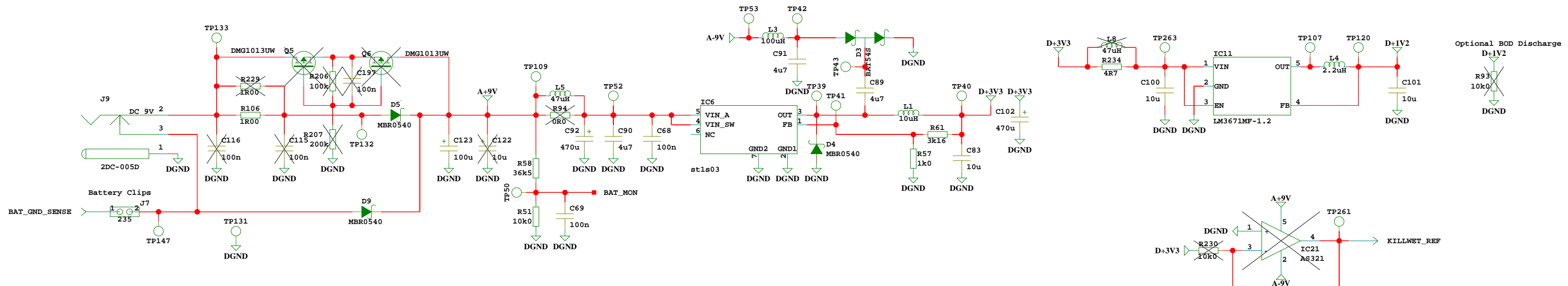
TC Electronic				Designer(s) HJE/PRO/SOMIK
Title 1414-HASSELHOF				Module title MODULE TITLE
Number P22387	Revision B	Variant B	Version C	Board type MAINBOARD
Date 10/11/2016:12:43	Filename			Page / of 1 / 5



TC Electronic				Designer(s)	HJE/PRO/SOMIK
Title 1414-HASSELHOF				Module title	MODULE TITLE
Number P22387	Revision B	Variant B	Version C	Board type	MAINBOARD
Date 10/11/2016:12:43	Filename ANALOG			Page / of	2 / 5



TC Electronic				Designer(s) HJE/PRO/SOMIK	
Title 1414-HASSELHOF				Module title MODULE TITLE	
Number P22387	Revision B	Variant B	Version C	Board type MAINBOARD	
Date 10/11/2016:12:43	Filename codec			Page / of 3 / 5	



Optional BOD Discharge																									
TC Electronic																									
Title: 1414-HASSELHOF Number: P22387 Date: 10/11/2016:12:44												Revision: B Variant: B Version: C Filename: uc_and_connects						Designer(s): HJE/PRO/SOMIK Module title: MODULE TITLE Board type: MAINBOARD Page / of: 5 / 5							