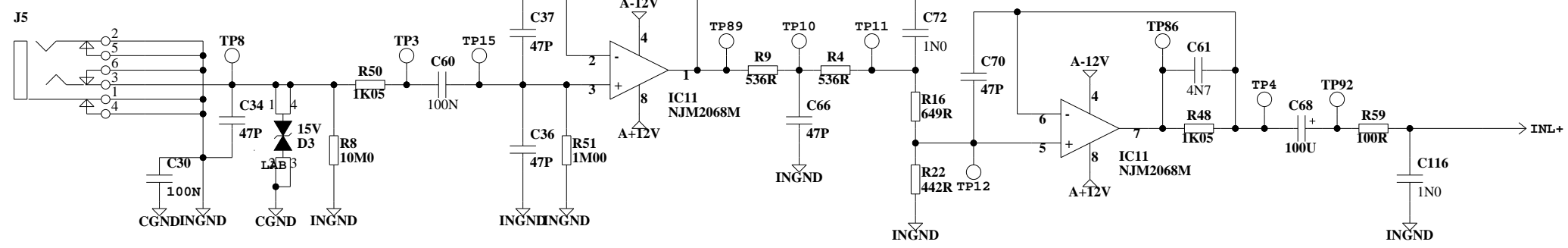


P22613-C
M1

TC Electronic A/S		Designer DKH
Title HANS HARMONYCONTROL		Module title MAINBOARD
Number P22613_C	Revision CAC	Previous page XX
Date 7-3-2008_10:38	Filename P22613-C	Page / of XX / 6

GUI 1
RIGHT INPUT

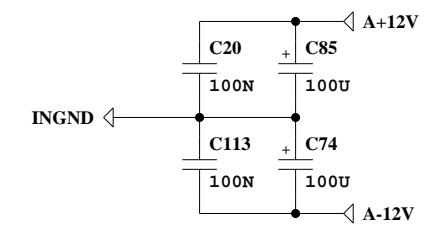


-1 dBFS input level 16 dBu @ gain 0 dB

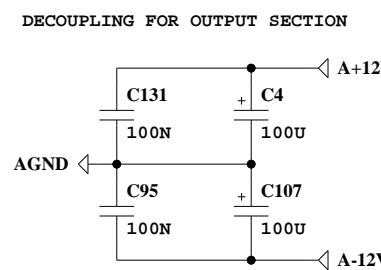
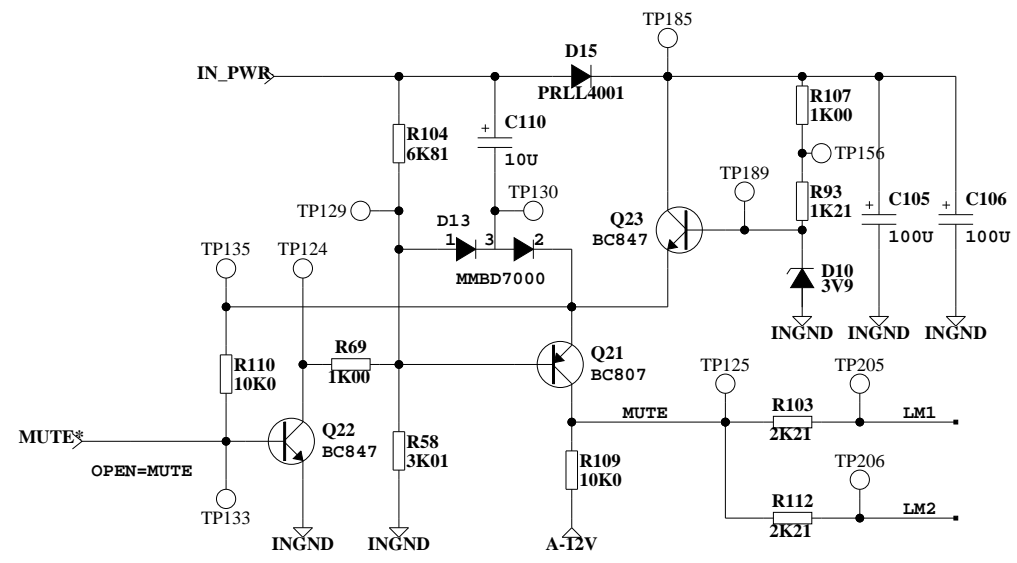
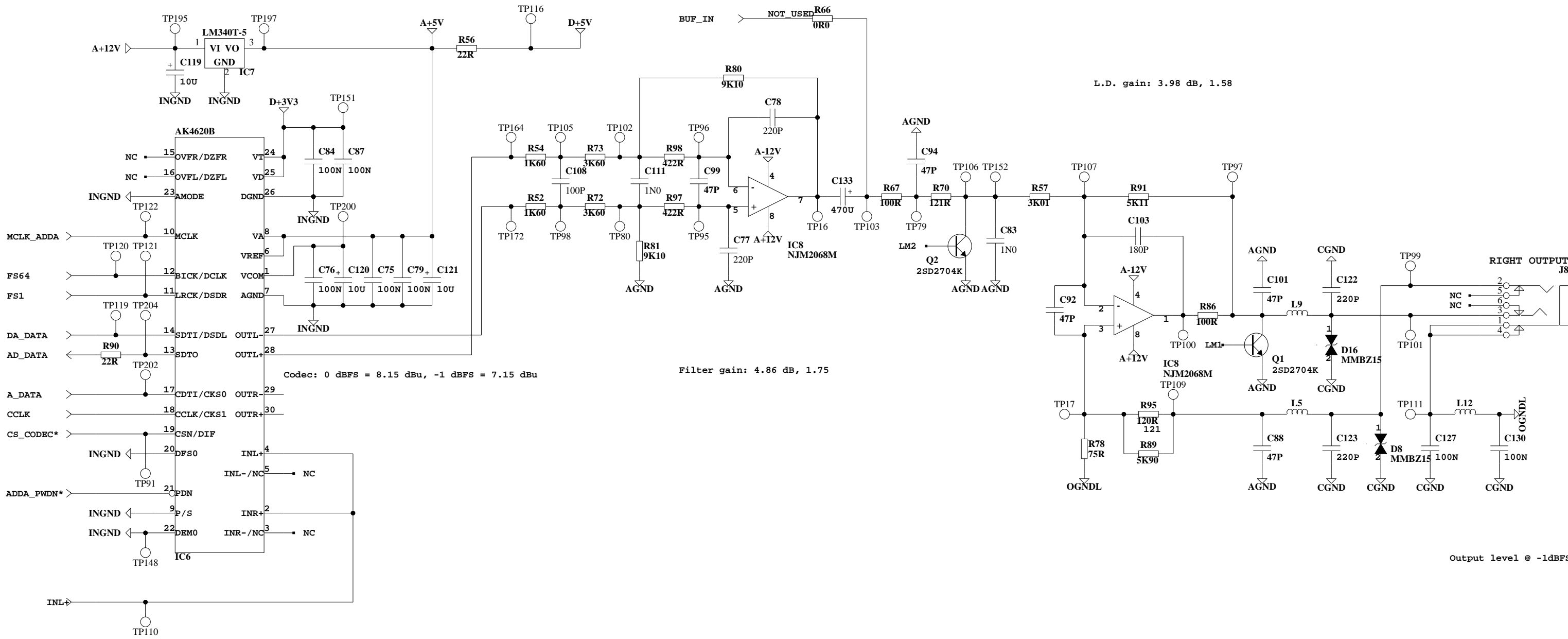
Attn. 0.19692, -14.11 dB

nom. 1.89 dBu

Codec: 0 dBFS = 2.93 dBu, -1 dBFS = 1.93 dBu

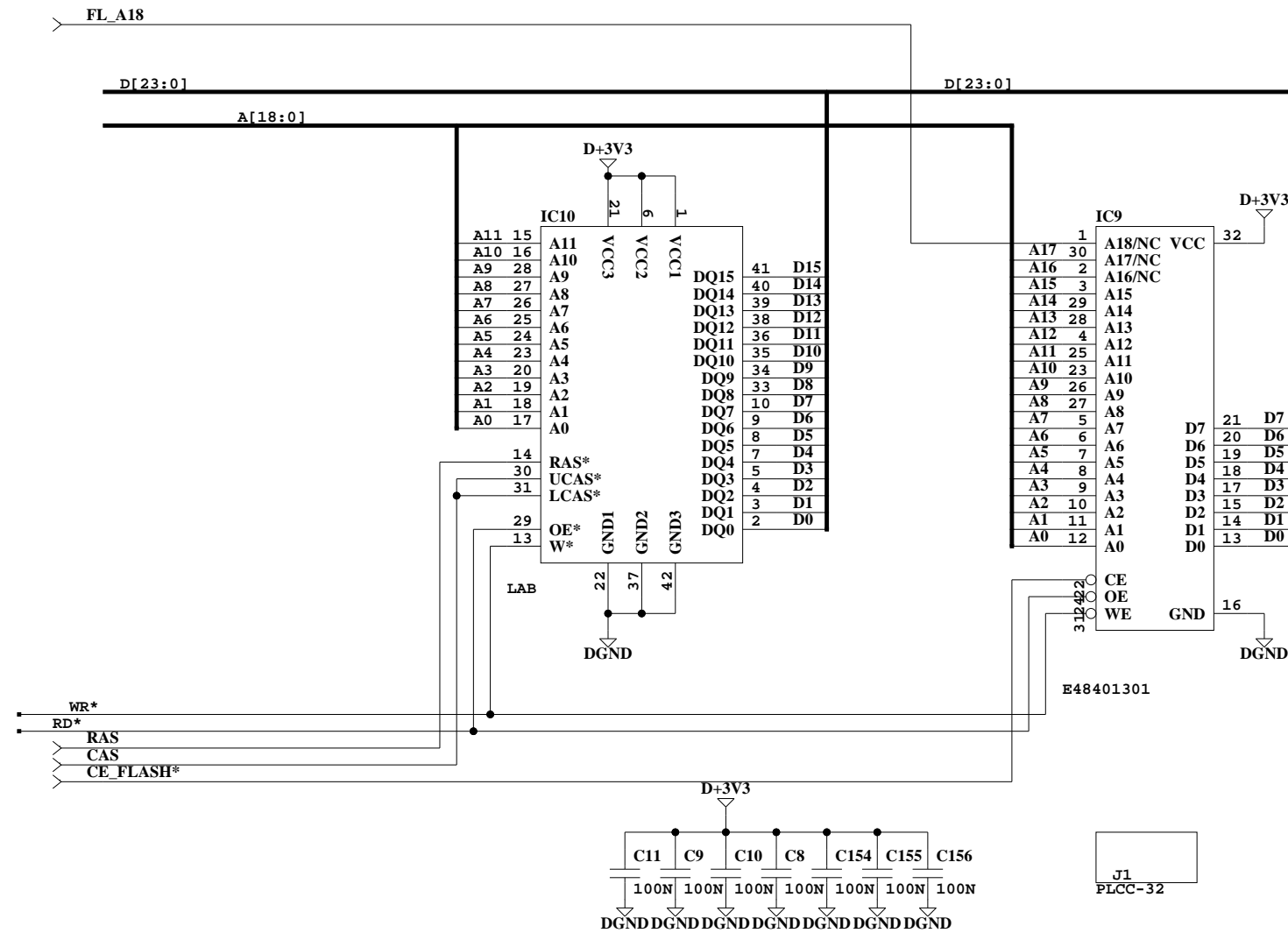
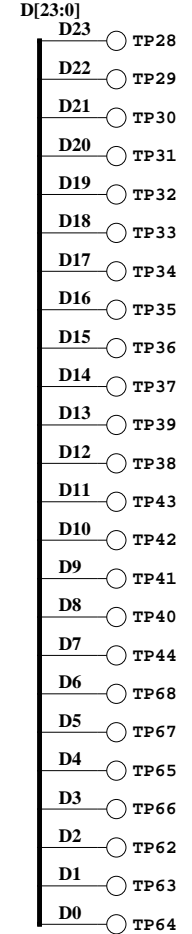
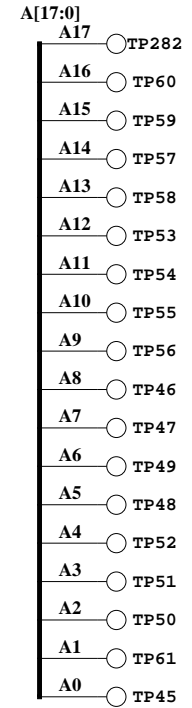
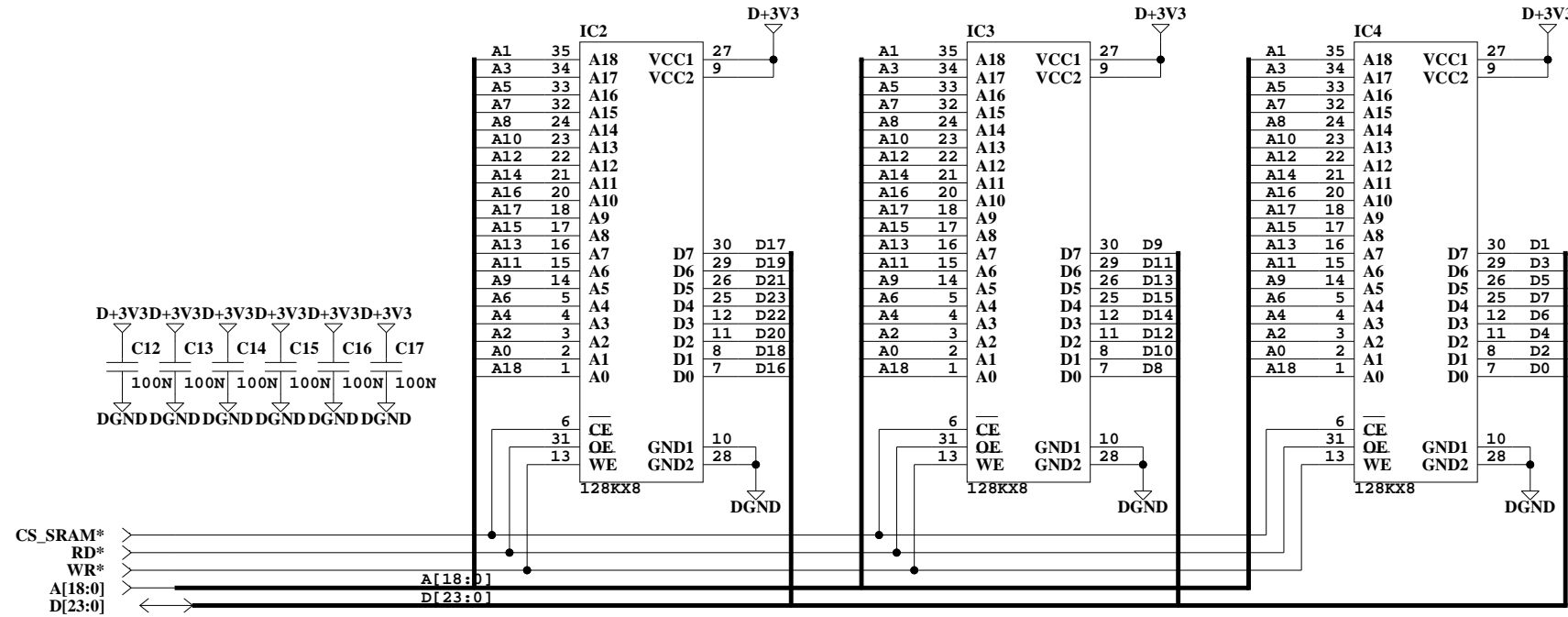


TC Electronic A/S		Designer DKH
Title HANS HARMONYCONTROL		Module title MAINBOARD
Number P22613_C	Revision CAC	Previous page XX
Date 7-3-2008 10:38	Filename GUITAR_INPUT	Page / of 1 / 6

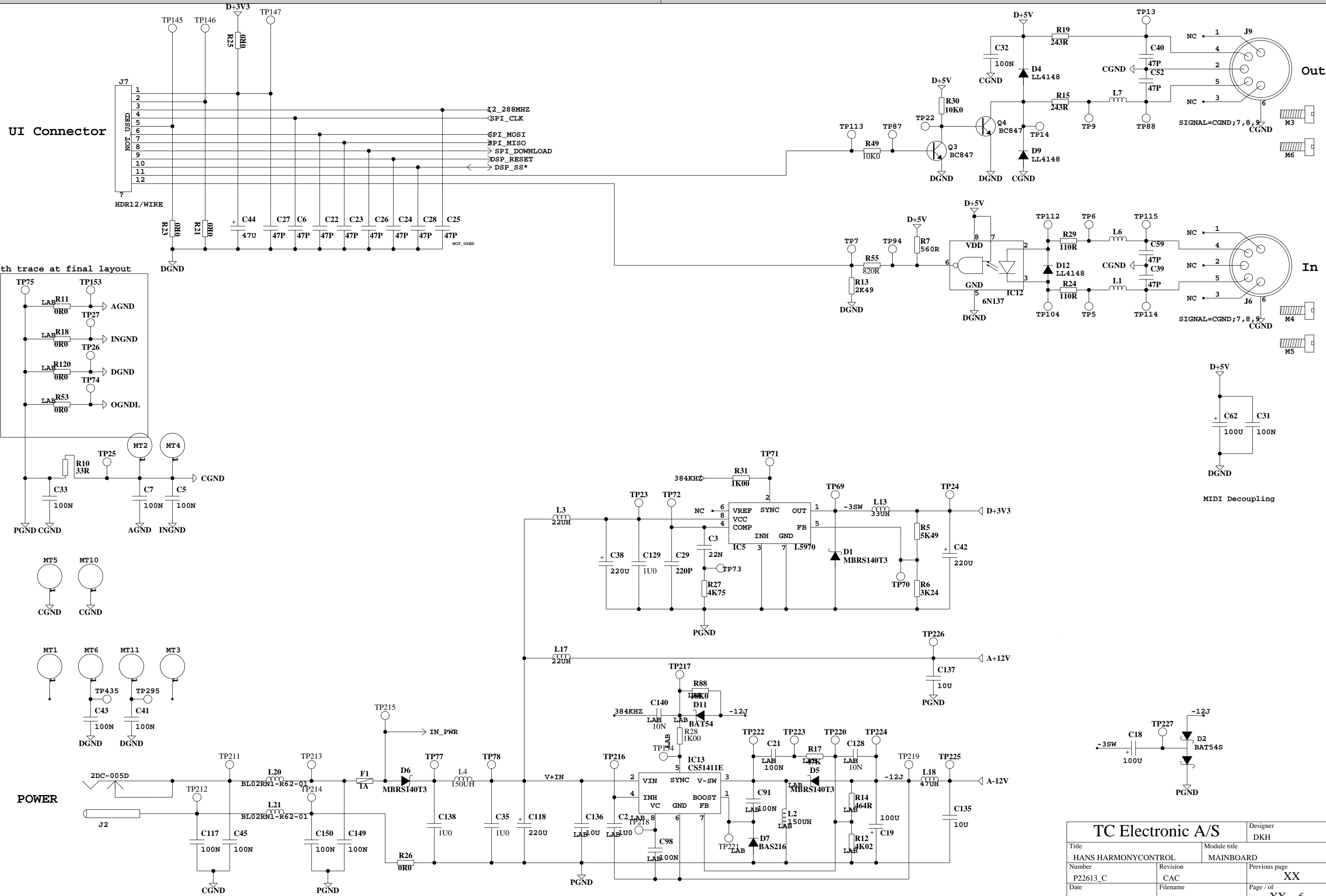


TC Electronic A/S		Designer DKH
Title HANS HARMONYCONTROL	Module title MAINBOARD	
Number P22613_C	Revision CAC	Previous page XX
Date 7-3-2008 10:50	Filename CODEC_A_OUT	Page / of XX / 6

SOJ36/400 mil - 128k/512k



TC Electronic A/S		Designer DKH
Title HANS HARMONYCONTROL	Module title MAINBOARD	
Number P22613_C	Revision CAC	Previous page XX
Date 7-3-2008 10:38	Filename MEMORY	Page / of XX / 6



TC Electronic A/S		Designer DKH
Title HANS HARMONYCONTROL		Module title MAINBOARD
Number P22613_C	Revision CAC	Previous page XX
Date 7-3-2008 10:38	Filename INTERFACE	Page / of XX / 6