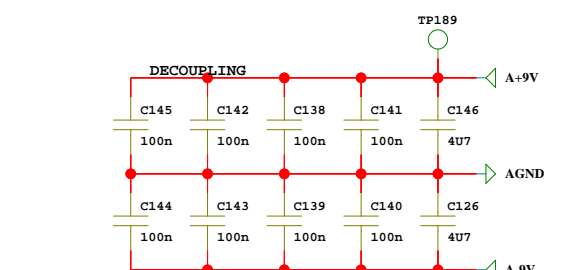
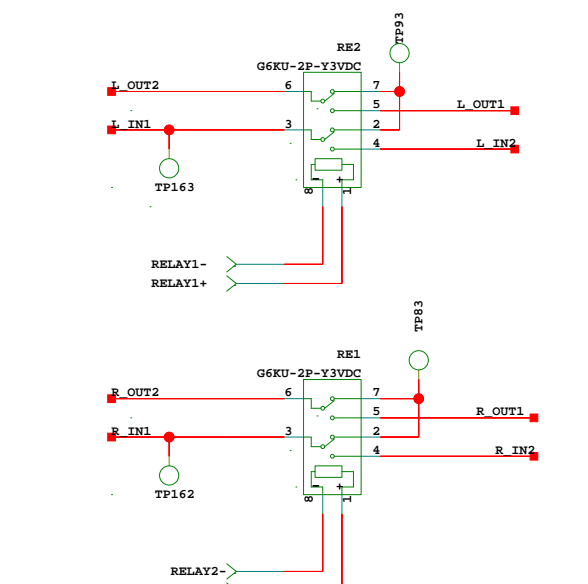
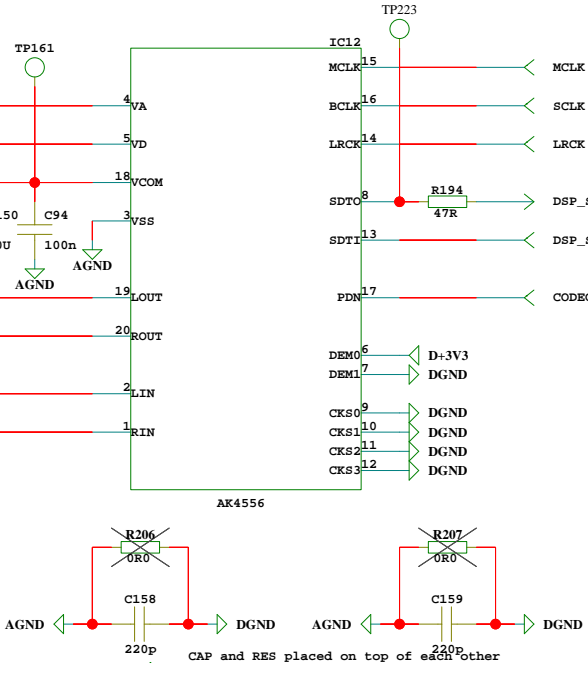
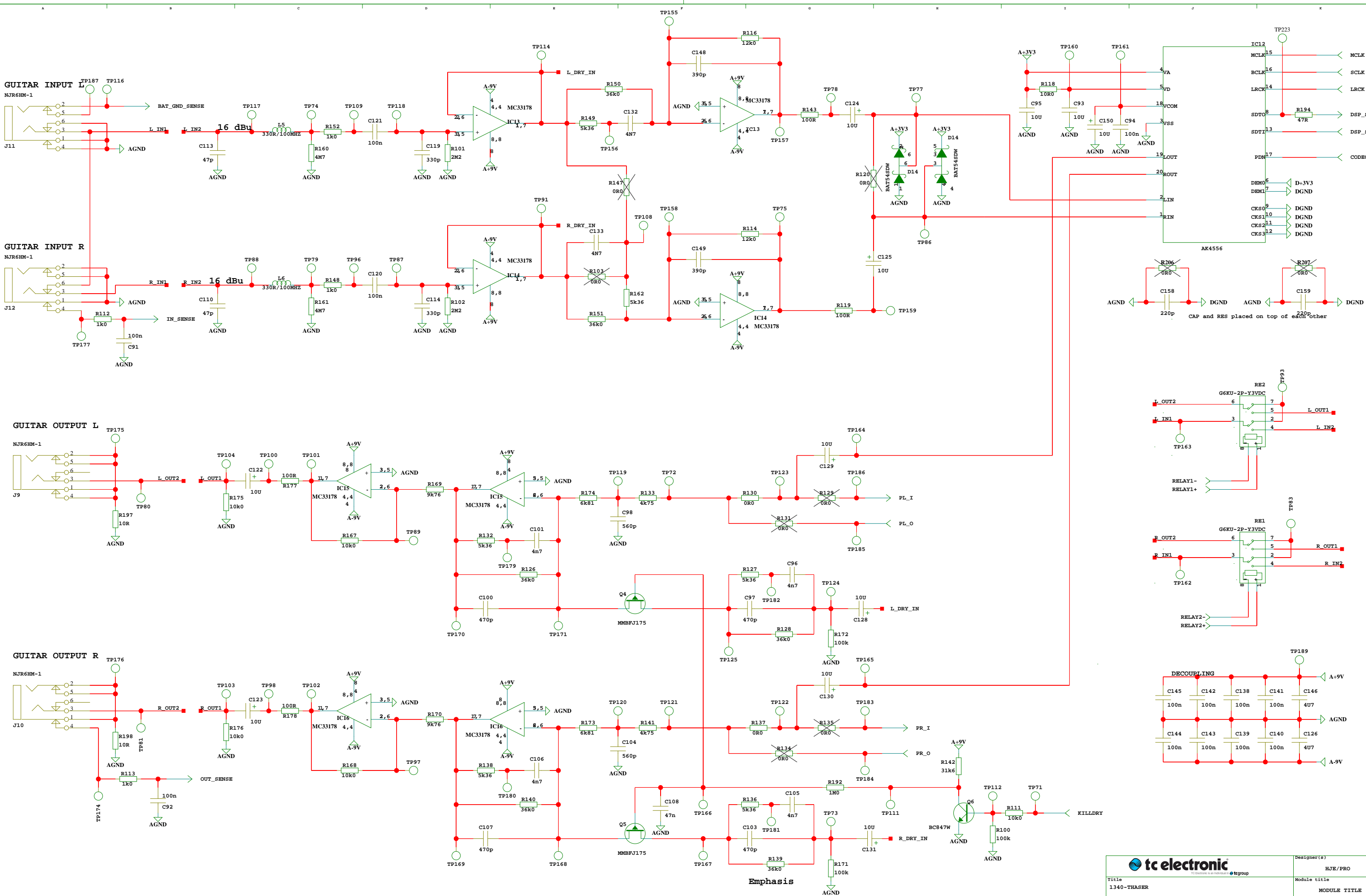


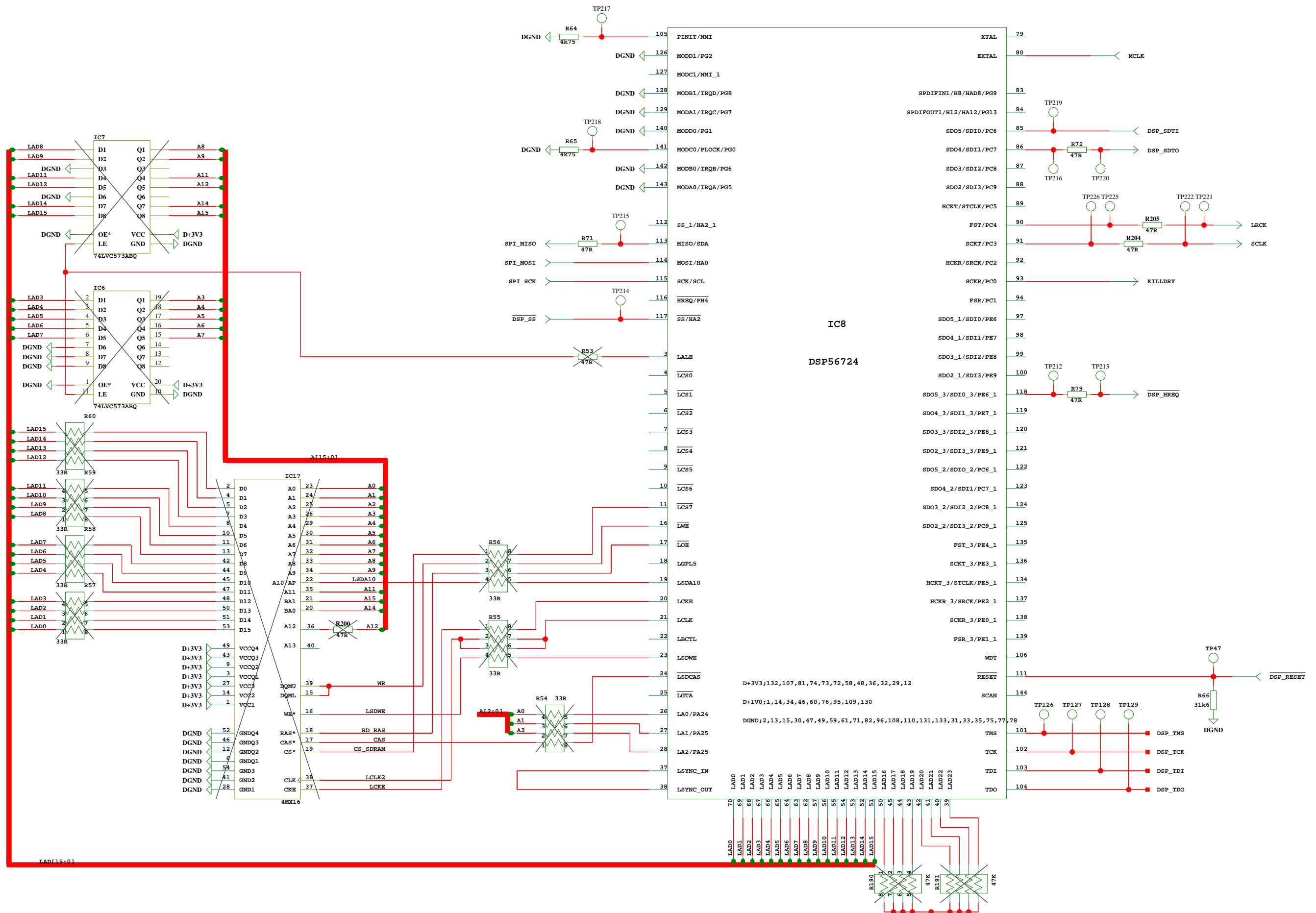
M1
P22381-D
PCB

		Designer(s) HJE/PRO		
Title 1340-THASER		Module title MODULE TITLE		
Number P22381	Revision D	Variant L	Version A	Board type MAINBOARD
Date 29/10/2014:23:33	Filename P22381-D	Page / of 1 / 5		

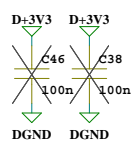


Emphasis

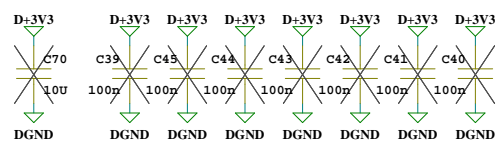
				Designer(s)
Title				HJE/PRO
1340-THASER				Module title
				MODULE TITLE
Number	Revision	Variant	Version	Board type
F22381	D	L	A	MAINBOARD
Date	Filename			Page / of
29/10/2014:23:33	analog			4 / 5



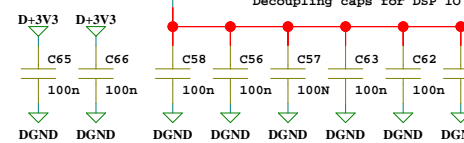
Decoupling caps for Latch



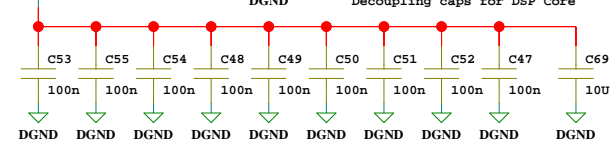
Decoupling caps for SDRAM



Decoupling caps for DSP IO



Decoupling caps for DSP Core



tc electronic				Designer(s)
Title: 1340-THASER				HJE/PRO
Number: P22381				Module title: MODULE TITLE
Date: 29/10/2014:23:33	Revision: D	Variant: L	Version: A	Board type: MAINBOARD
Filename: dsp724	Page / of: 3 / 5			

