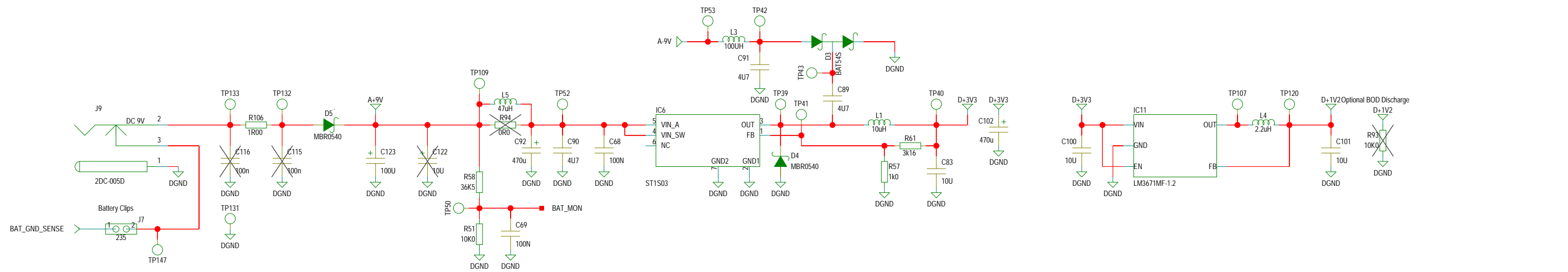
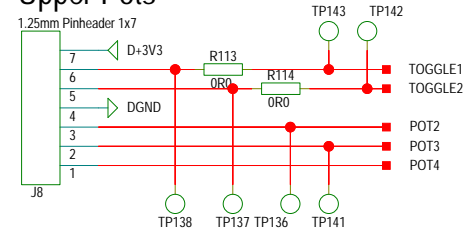


M1
P22386-A
pcb

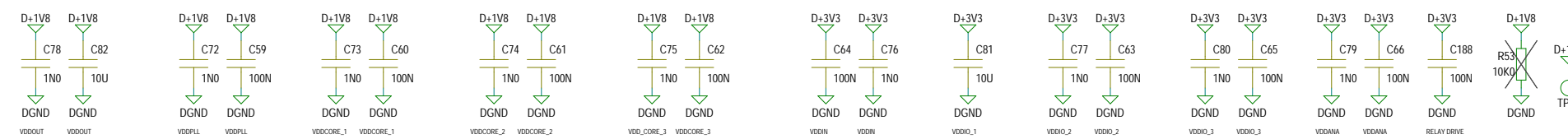
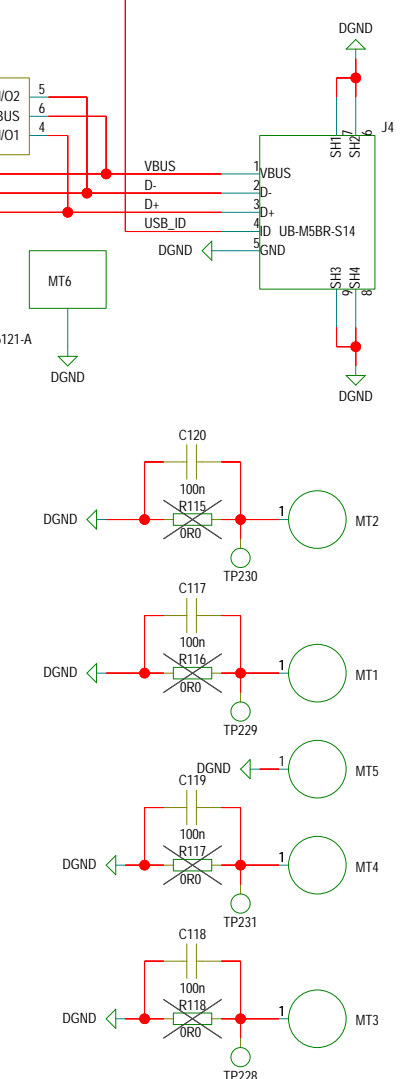
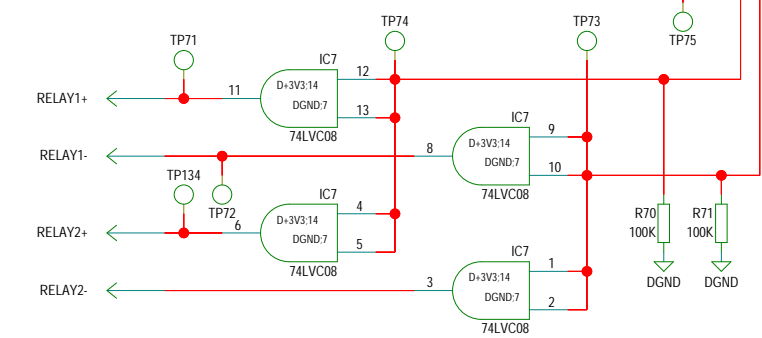
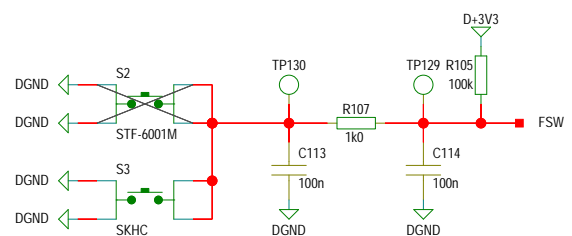
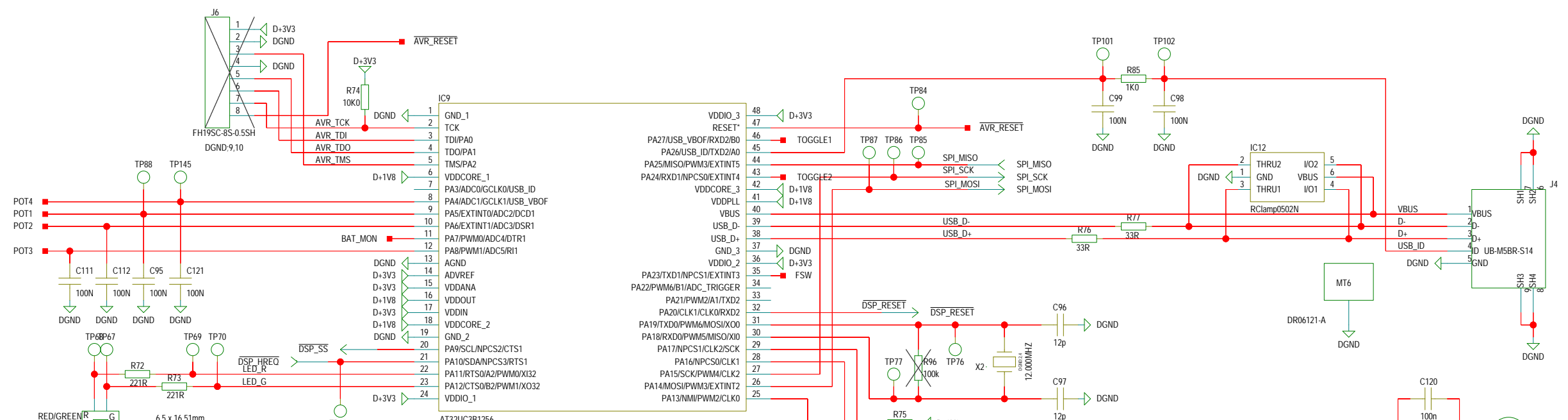
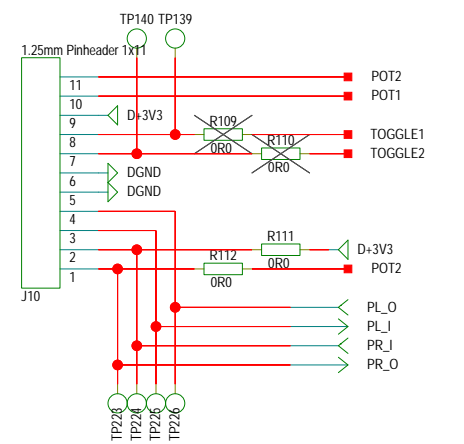
				Designer(s)	HJE/PRO
Title 1374-COMPACTOR				Module title	MODULE TITLE
Number P22386	Revision A	Variant A	Version A	Board type	MAINBOARD
Date 09/06/2015:11:36	Filename			Page / of	1 / 5



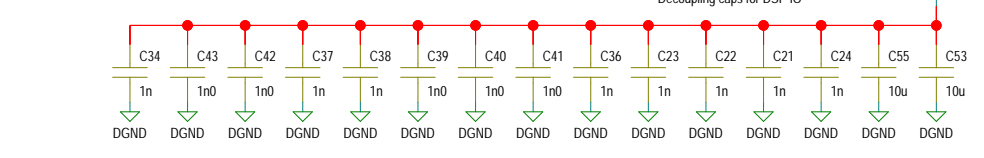
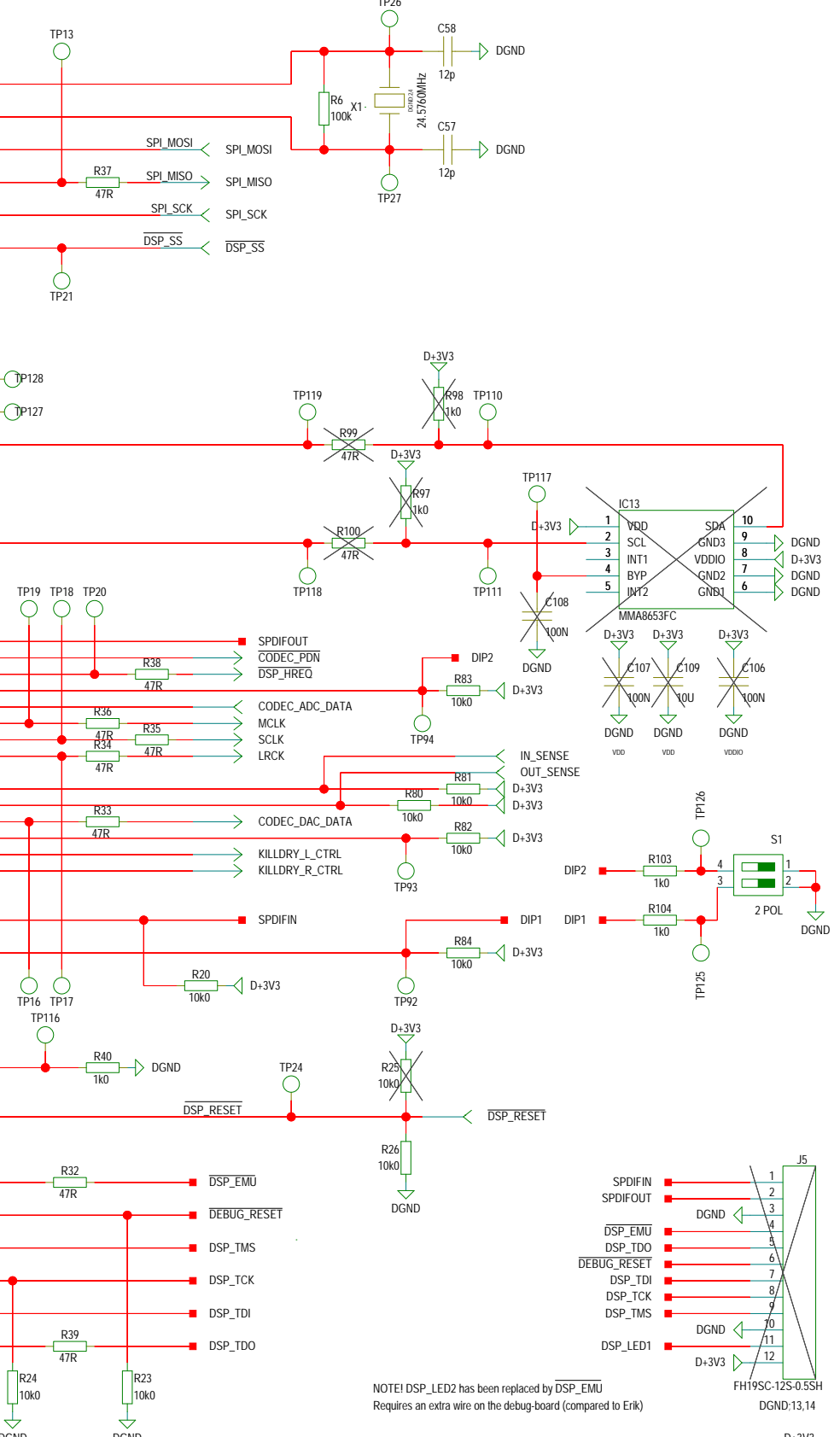
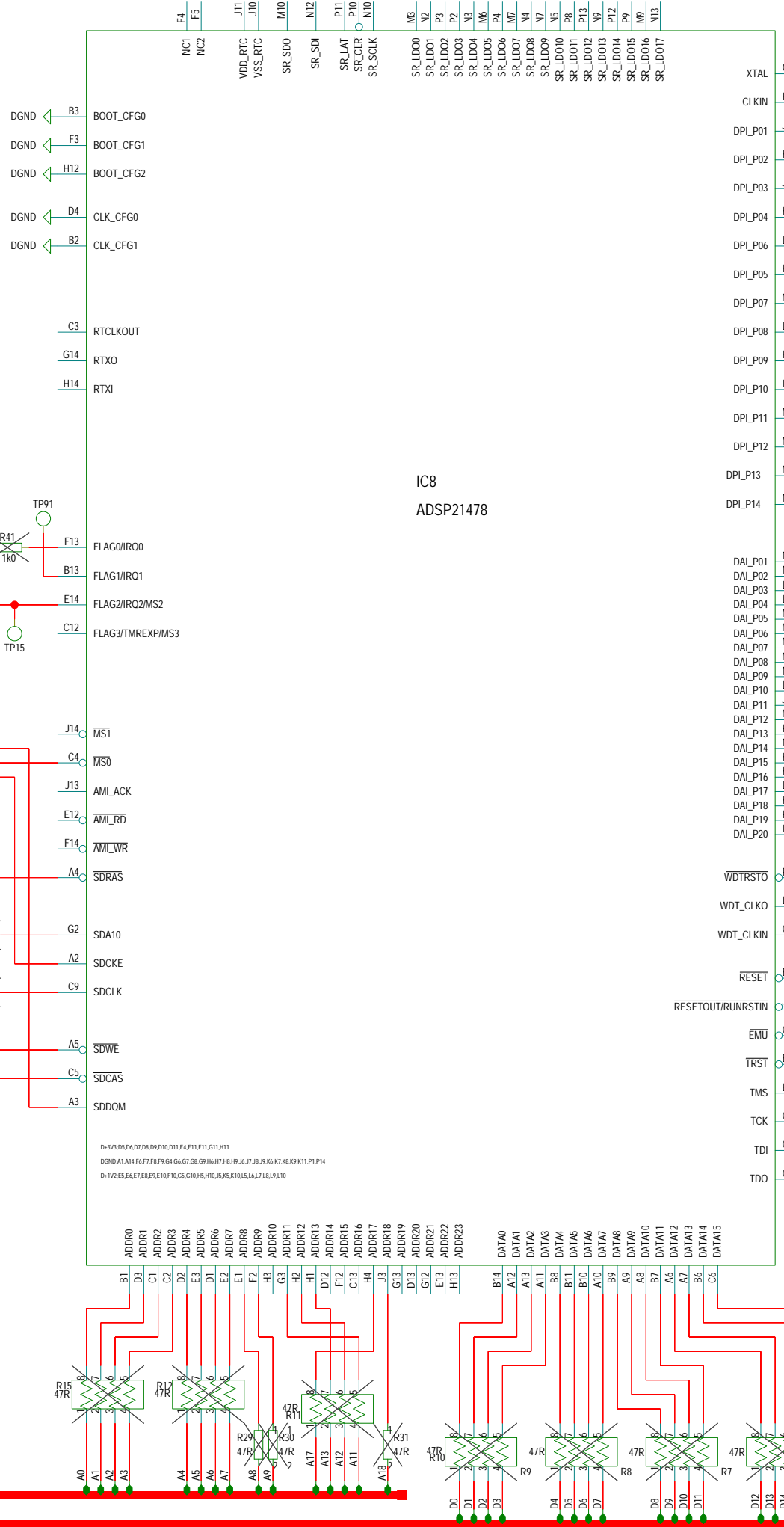
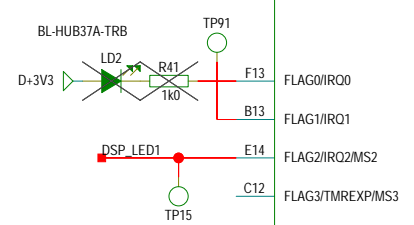
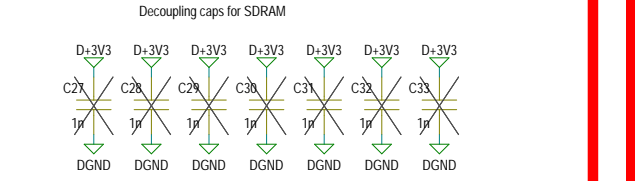
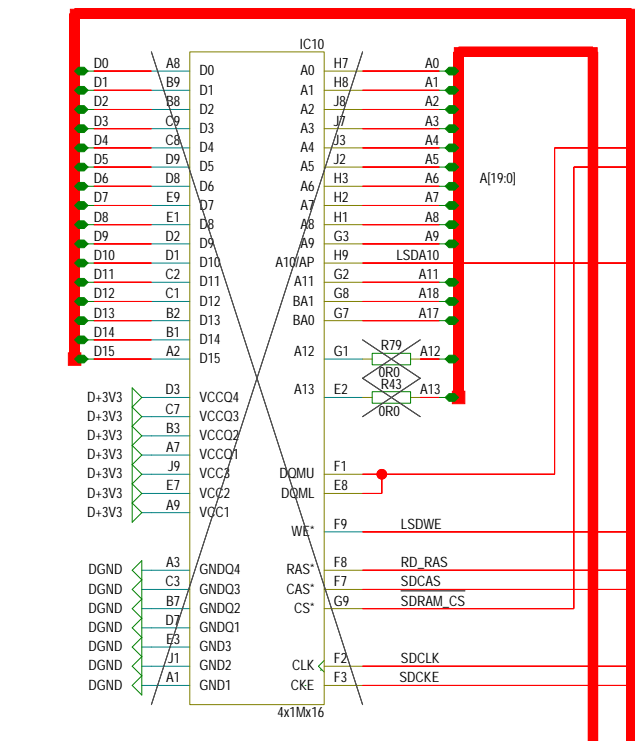
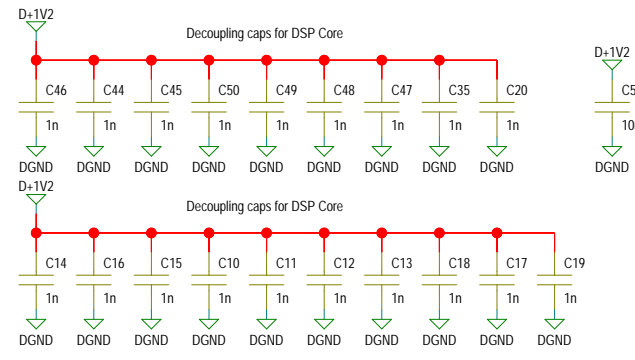
Upper Pots



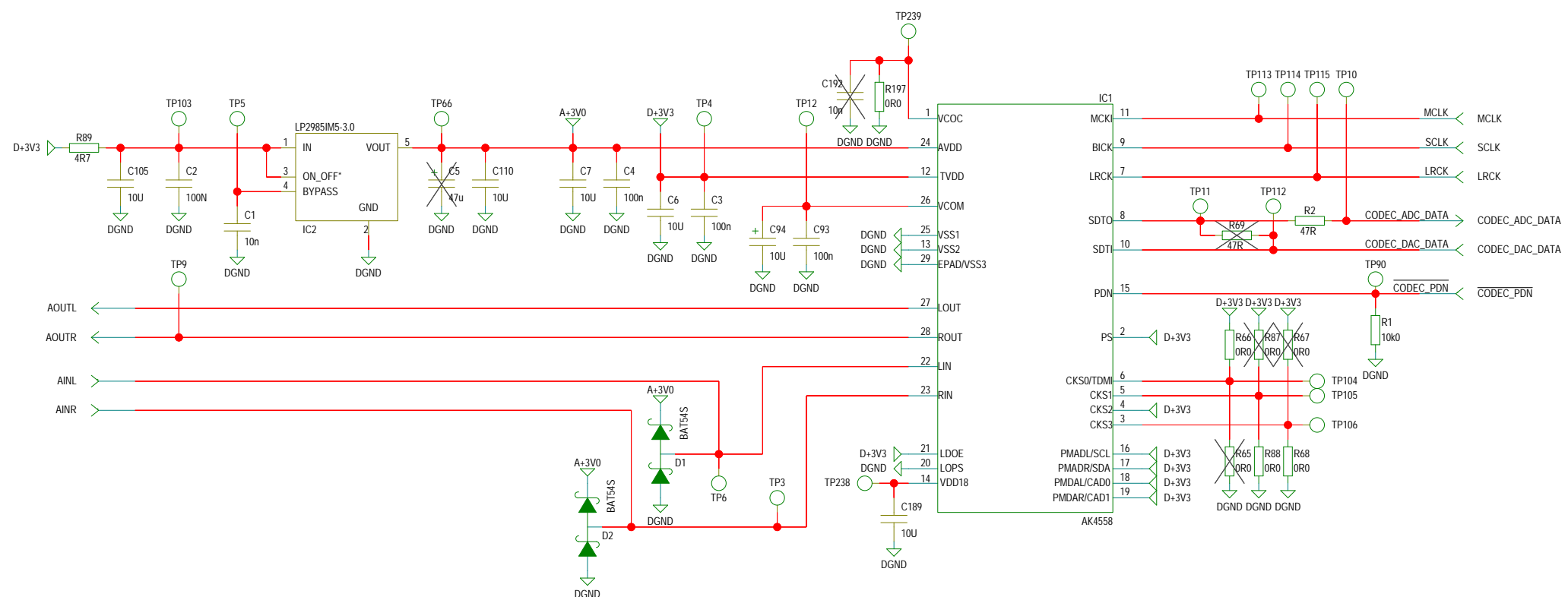
Lower Pots



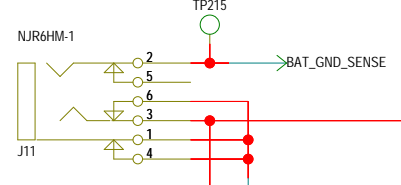
		Designer(s)			HUE/PRO
		Title			1374-COMPACTOR
Number		Revision	Variant	Version	Board type
P22386		A	A	A	MAINBOARD
Date		Filename		Page / of	
09/06/2015:11:37		uc_and_connects		2 / 5	



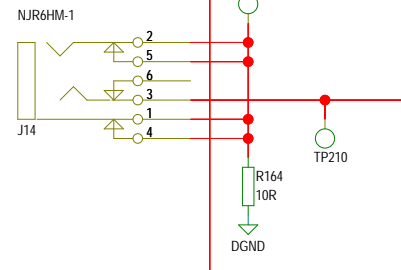
tc electronic		Designer(s)		HJE/PRO					
Title	1374-COMPACTOR	Module title		MODULE TITLE					
Number	P22386	Revision	A	Variant	A	Version	A	Board type	MAINBOARD
Date	09/06/2015:11:36	Filename	dsp		Page / of	3 / 5			



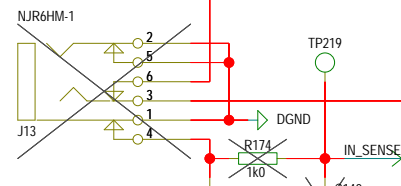
INPUT L



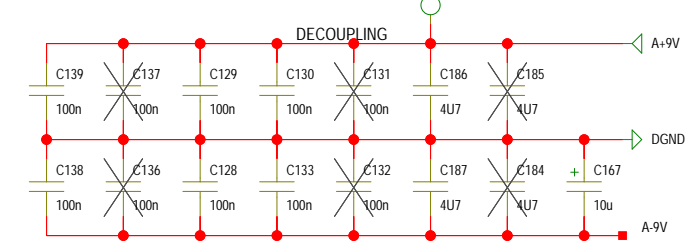
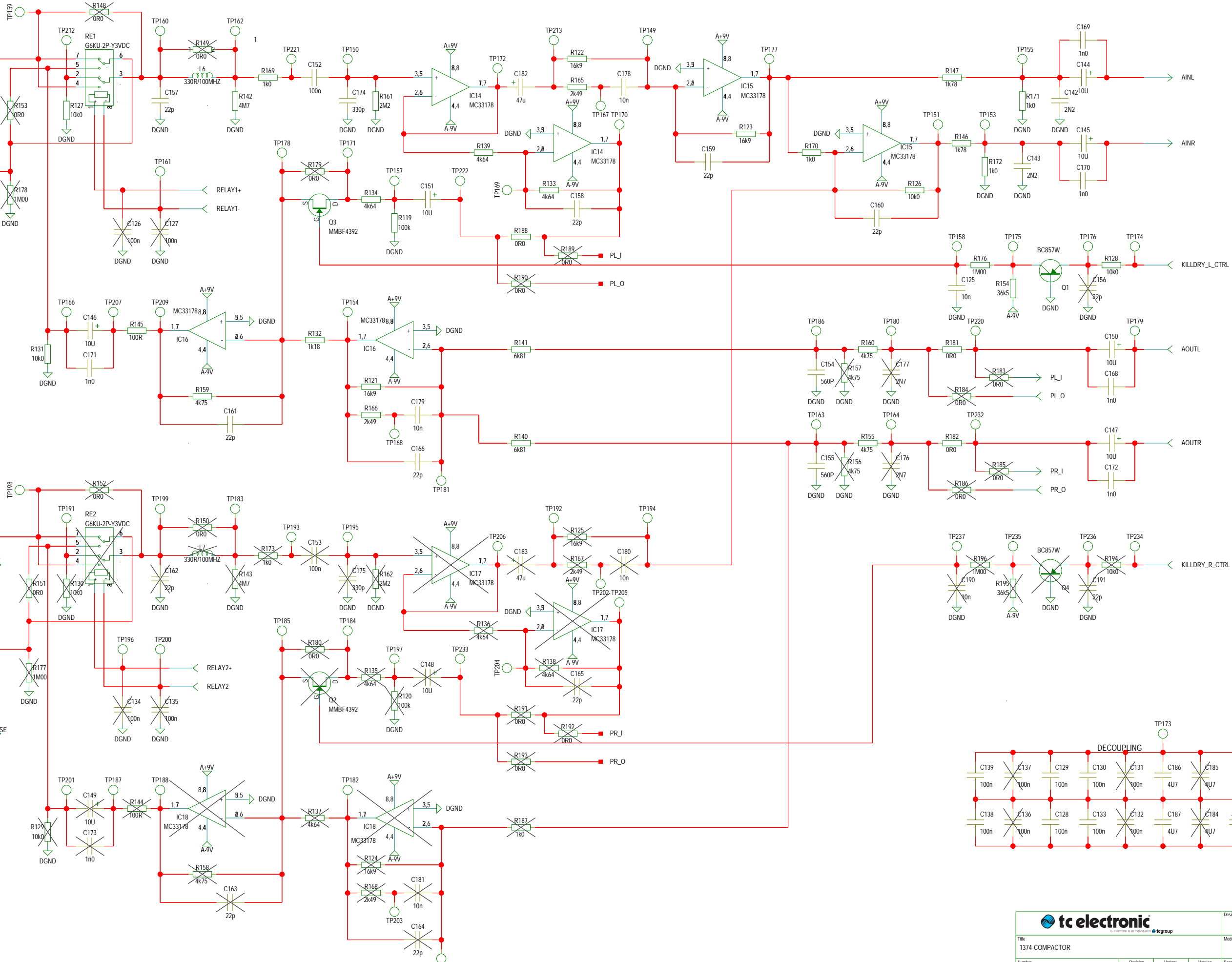
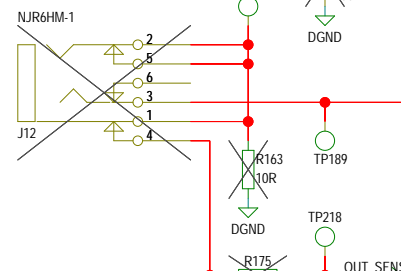
OUTPUT L



INPUT R



OUTPUT R



tc electronic <small>TC Electronic is an American company</small>				tcgroup	
Title: 1374-COMPACTOR					
Number: P22386					
Date: 09/06/2015:11:36		Revision: A		Variant: A	
Filename: ANALOG		Version: A		Page: 1 of 5	
Designer(s): HJE/PRO				Module title: MODULE TITLE	
Board type: MAINBOARD				Page: 1 of 5	