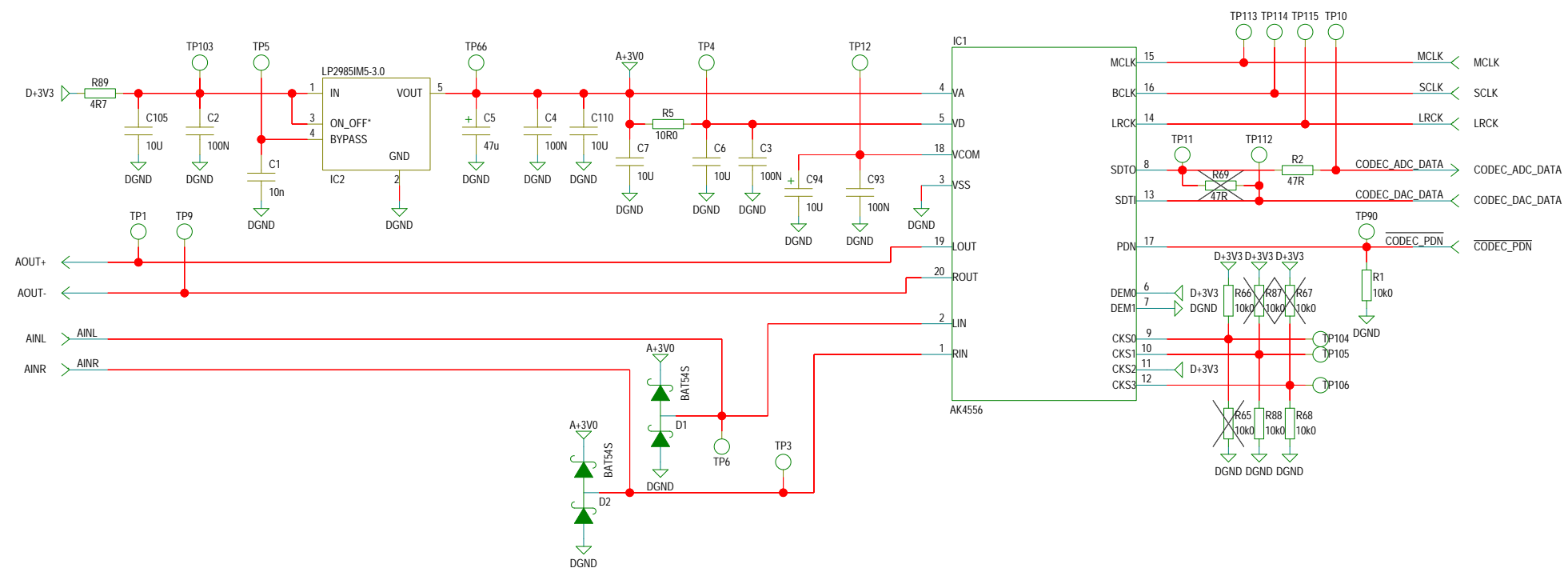
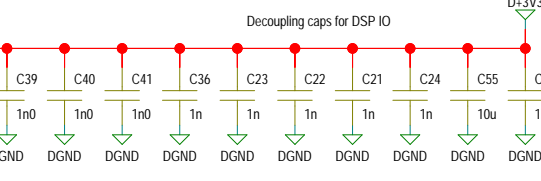
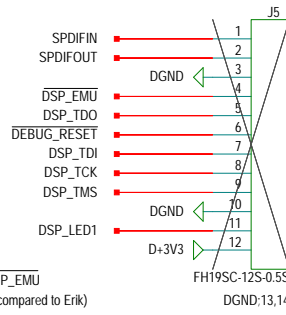
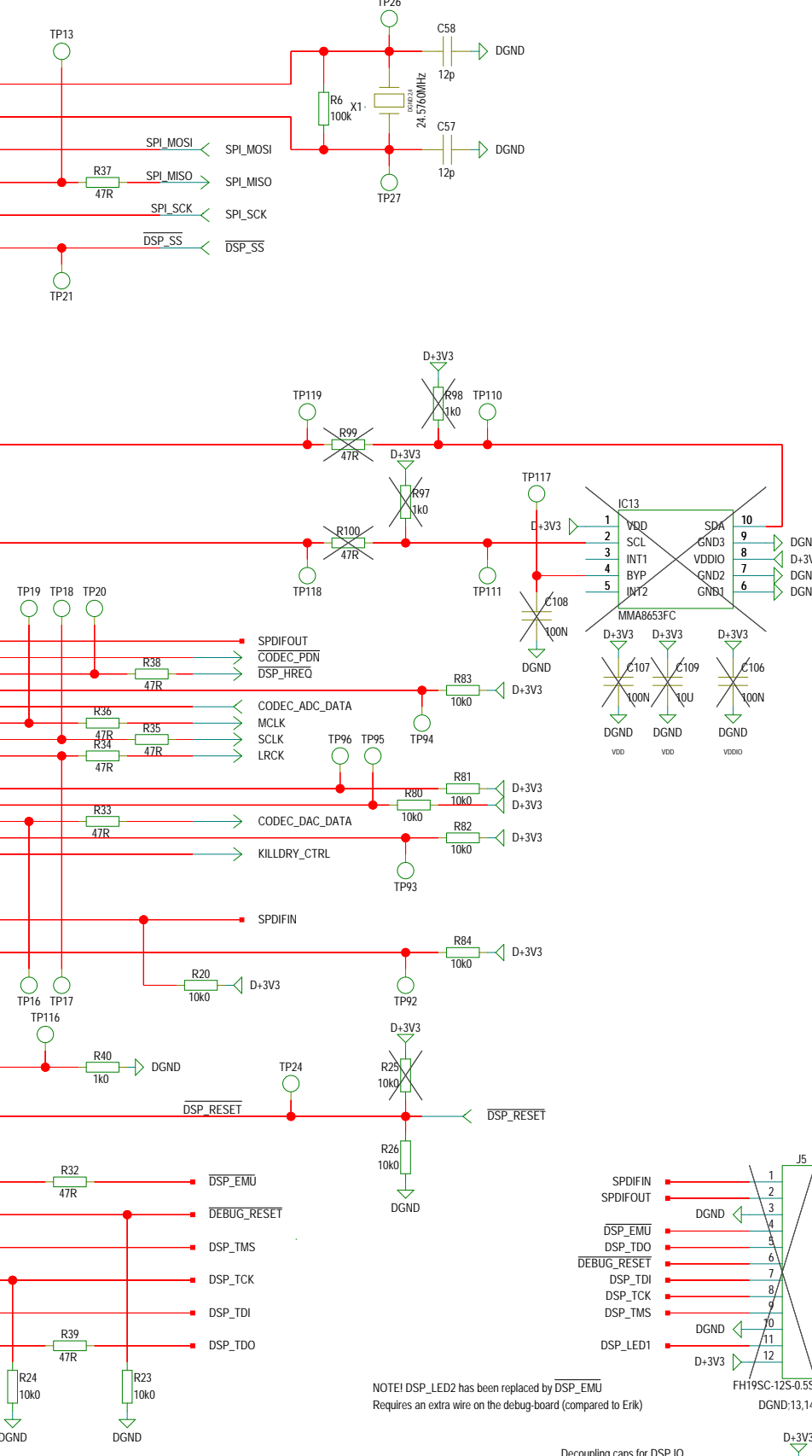
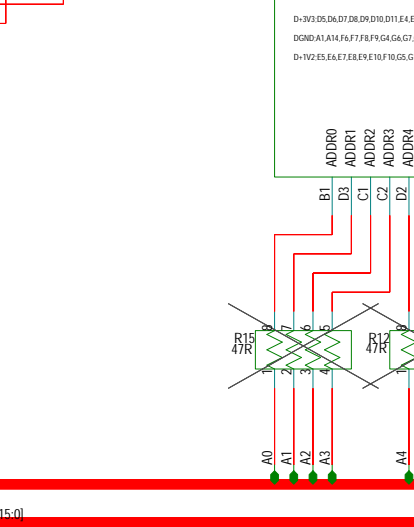
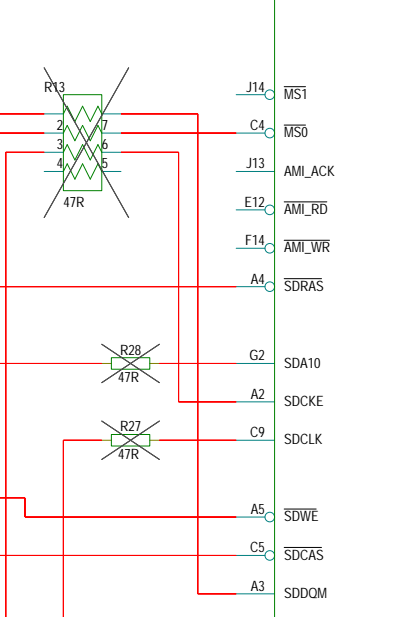
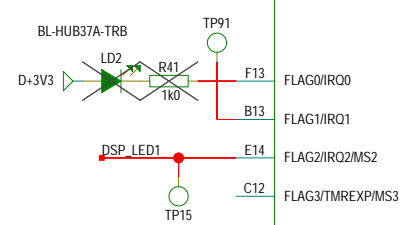
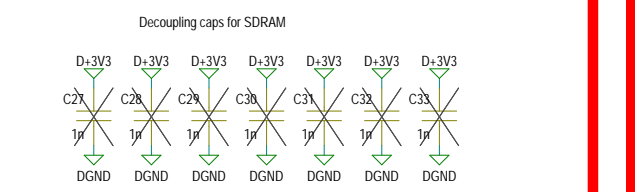
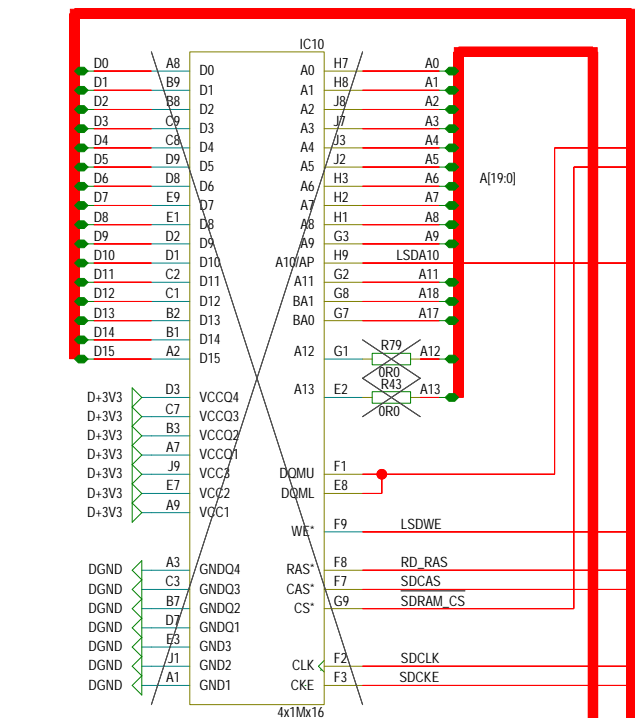
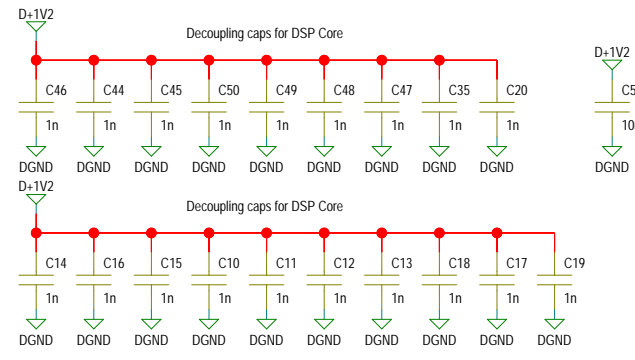


M1
 P22594-B
 pcb

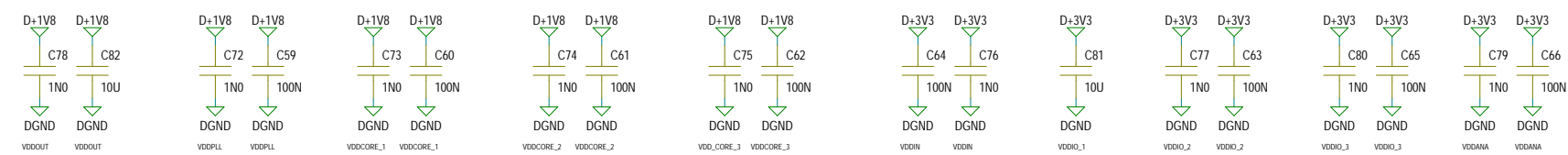
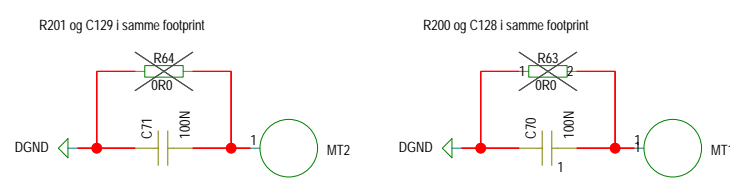
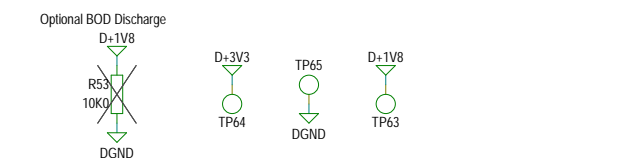
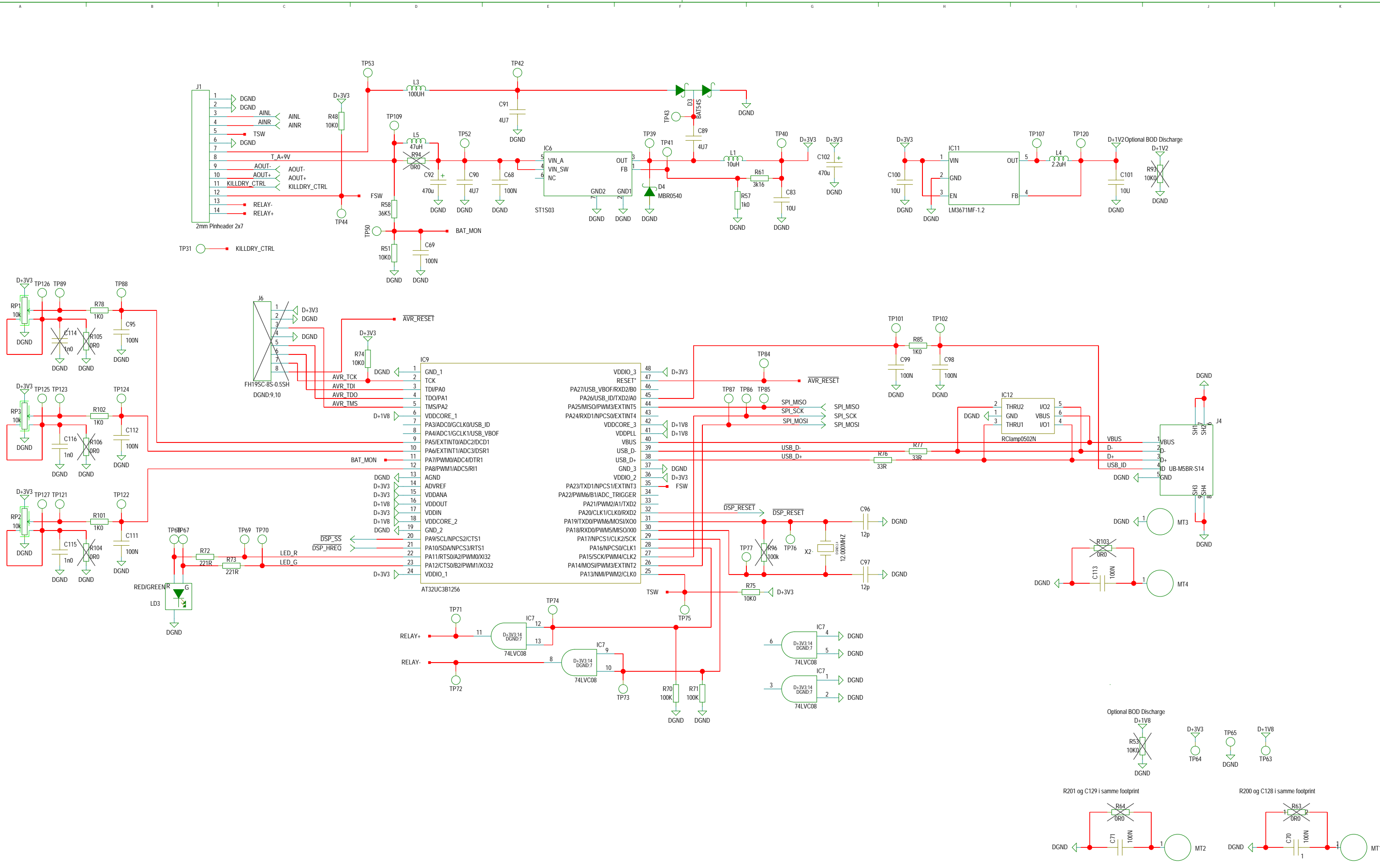
TC Electronic				Designer(s) HJE/PRO
Title 1462-CLAMP				Module title MODULE TITLE
Number P22594	Revision B	Variant G	Version A	Board type UI BOARD
Date 17/11/2016:14:56	Filename			Page / of 1 / 4



TC Electronic				Designer(s)	HJE/PRO
Title				Module title	
1462-CLAMP				MODULE TITLE	
Number	Revision	Variant	Version	Board type	
P22594	B	G	A	UI BOARD	
Date	Filename				Page / of
17/11/2016:14:56	codec				4 / 4



TC Electronic				Designer(s)	HJE/PRO
Title 1462-CLAMP				Module title	MODULE TITLE
Number P22594	Revision B	Variant G	Version A	Board type	UI BOARD
Date 17/11/2016:14:56	Filename dsp			Page / of 3 / 4	



TC Electronic				Designer(s) HJE/PRO	
Title 1462-CLAMP		Module title MODULE TITLE			
Number P22594	Revision B	Variant G	Version A	Board type UI BOARD	
Date 17/11/2016:14:56	Filename uc_and_connects		Page / of 2 / 4		