



Trouble shooting on Konnekt 24D/Live/8 & Impact Twin

Revision: 1.00

Printed: 2010-03-15

Updated: 2010-03-15

Revision history

When	Who	What
2010-03-15	IVPED	Document Started

References and related documents

[1]	XXX
-----	-----

Trouble Shooting Guide To Konnekt & Impact Twin**Table of Contents**

1	No appearance on PC/MAC	3
2	Power measurements if no boot and no appearance on DAW	3
3	Misc info	4
3.1	Front test:	4

List of Figures

Figure 1:	Main block diagram	4
-----------	--------------------	---

Trouble Shooting Guide To Konnekt & Impact Twin

1 No appearance on PC/MAC

If the product fails to appear on the DAW, but otherwise boots up normally, replacing TSB41AB2 might help. If the Crystal and the Crystal loads have not been updated (Sno-T089 and Sno-T091), loss of firewire connection can occur.

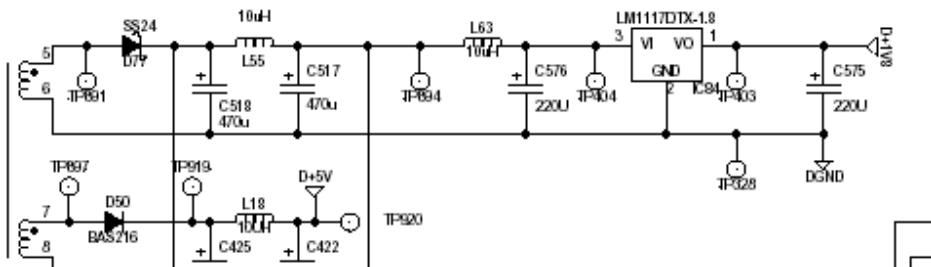
2 Power measurements if no boot and no appearance on DAW

When attaching the firewire cable to the product, a red LED lights up between the two firewire plugs. This indicates that buspower is present in the firewire cable. The LED is off shortly when the power button is pushed. If this doesn't happen

Try to power from both the firewire cable and the external PSU.

If product boots up with ext. PSU, but not with firewire: Plug in the firewire cable (no ext. power) and make sure that there is 12 VDC on U1, pin 6 and F1. If that is not the case, replacing the power plug may do the job.

Check the voltages for the Dice: Measure the voltage at IC84 pin1 **1.8V** and pin3 **3.3V**. If no 3.3V – replace mainboard.



On the lower half of the PSU sheet is the power used for the amplifiers, phantom power etc. Look here if there are problems with amplifying the signal. But start by making sure that the DICE II is ok, and that the product boots up!

Trouble Shooting Guide To Konnekt & Impact Twin

3 Misc info

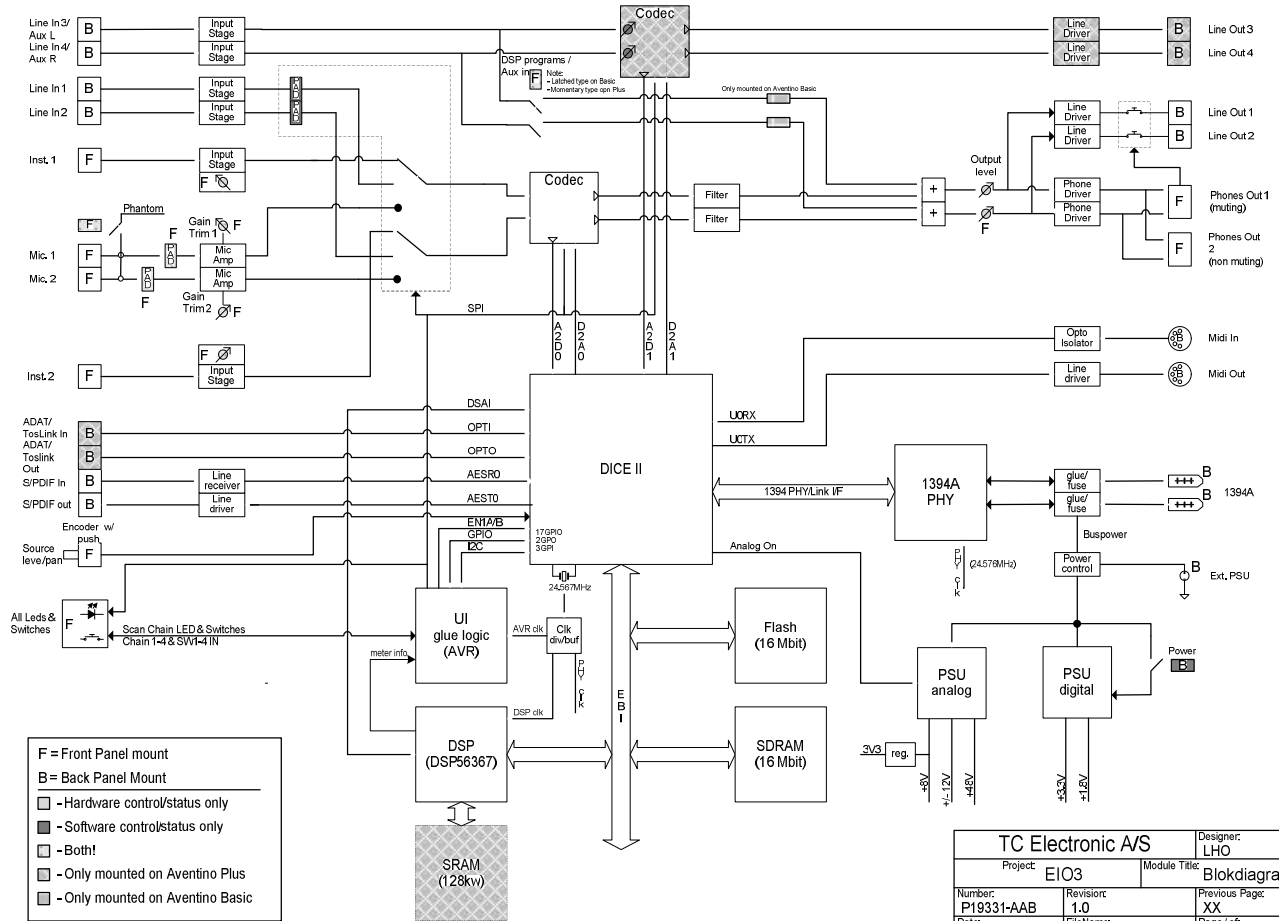


Figure 1: Main block diagram

3.1 Front test:

The Front-test is activated by pressing the "ch.select" while powering the unit up.

The Unit blinks once with all LEDs when it is ready for the first part of the Front-test.

Then You can check each LED by turning the "source"-encoder and push it once when all is checked. The Unit blinks once again with all LEDs and is ready for the second part of the test. Insert a XLR-connector in MIC ch1, then another in MIC ch2. Check the light-ring and continue with pressing the small push-buttons in and out, from right to left. The Unit blinks once with all LEDs when the test is completed and then programs the result of the Front-test into the Unit-memory.