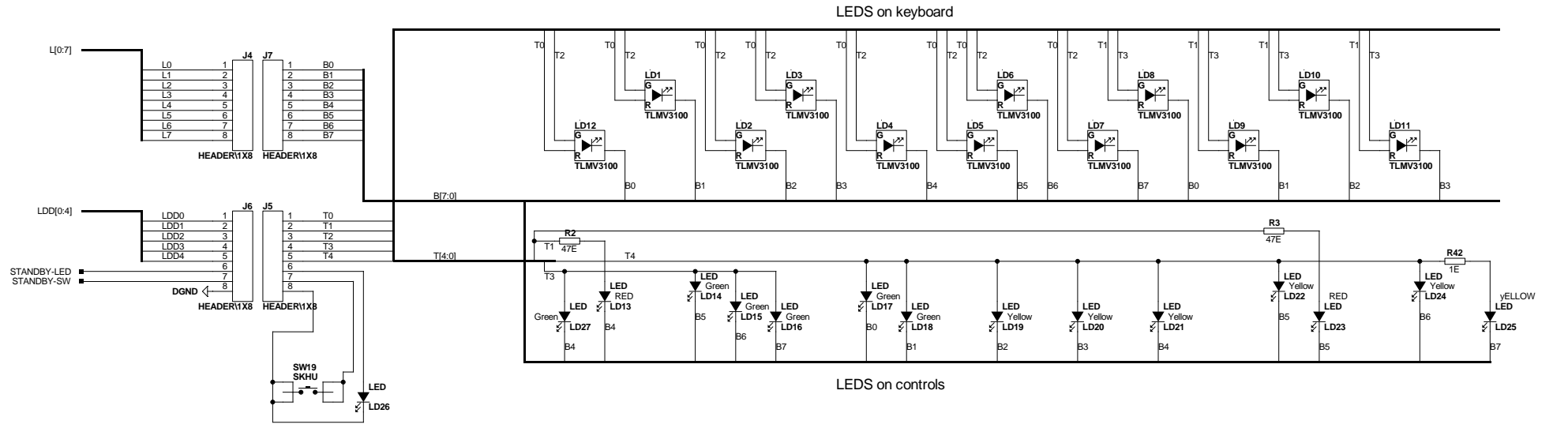
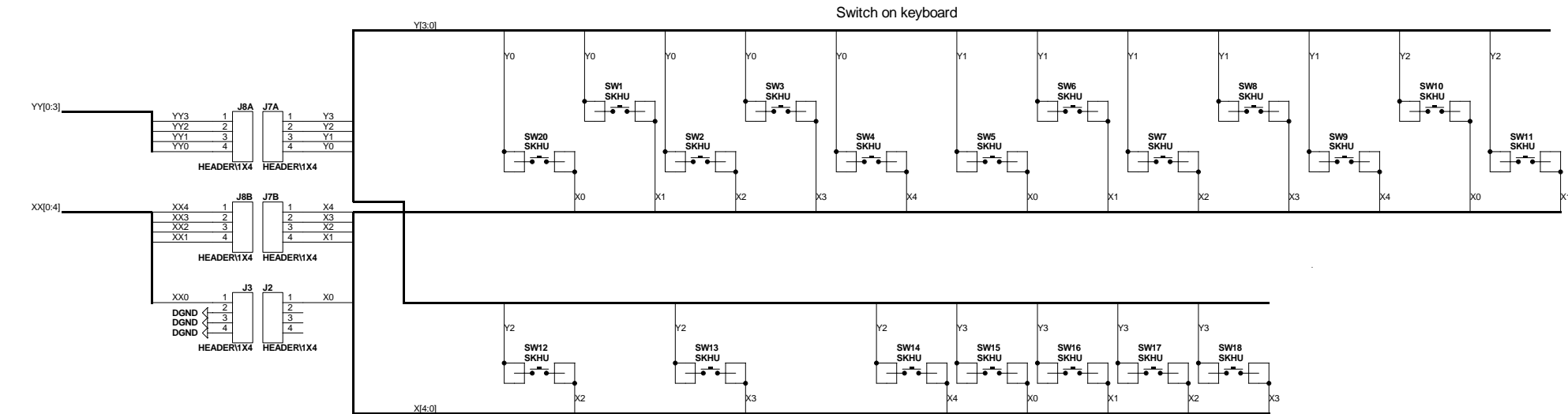


<b>TC Electronic A/S</b>		Designer DESIGNER
Title VIKING 9		Module title DISPLAY CONTROL
Number 12509	Revision 1AA	Previous page 1
Date 2-15-2000 15:12	Filename DISPLAY	Page / of 3 / 3



Standby switch and LED



Switch on controls

<b>TC Electronic A/S</b>		Designer CGF
Title VIKING 9		Module title FRONT LED/SWITCH
Number 12509	Revision 1AA	Previous page 1
Date 2-15-2000 15:12	Filename FRONT	Page / of 2 / 3