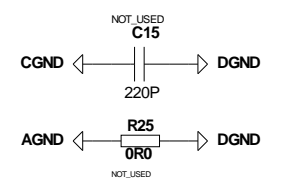
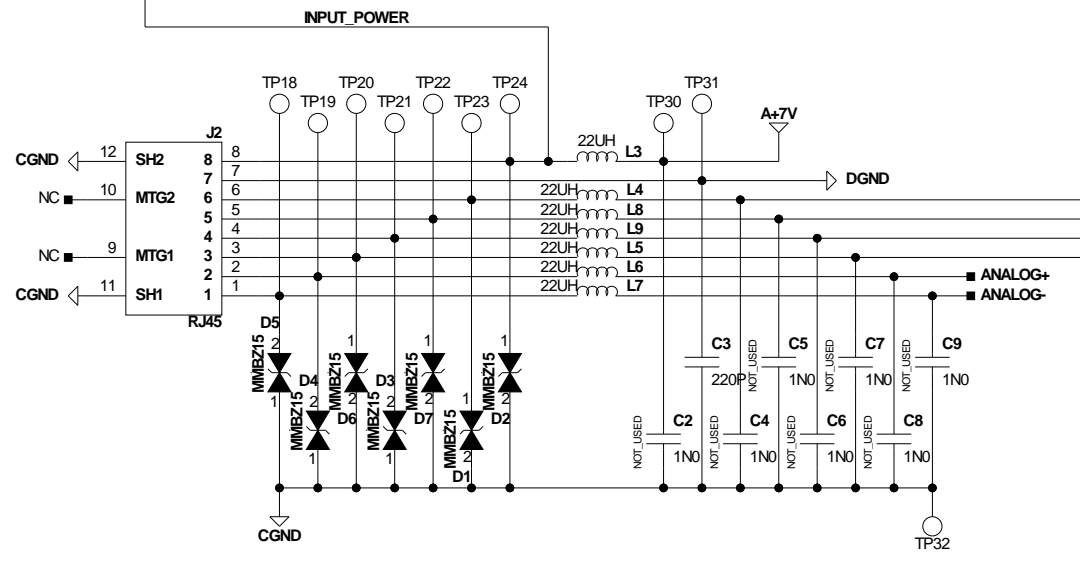
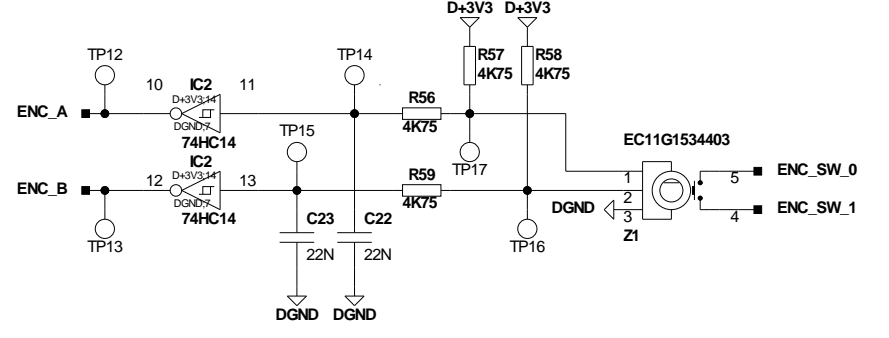
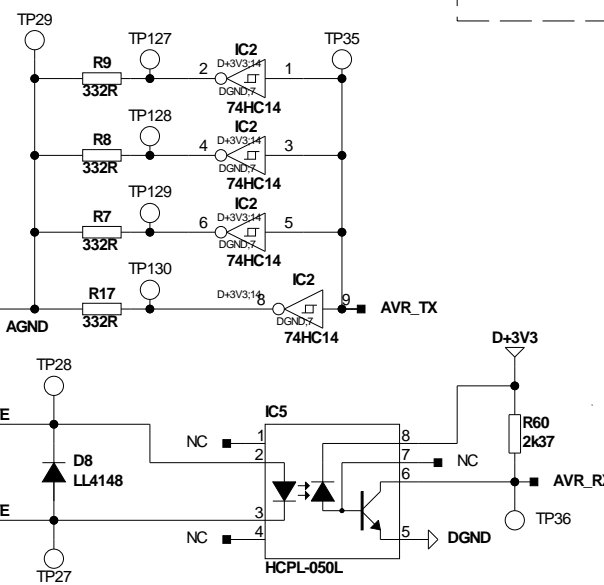
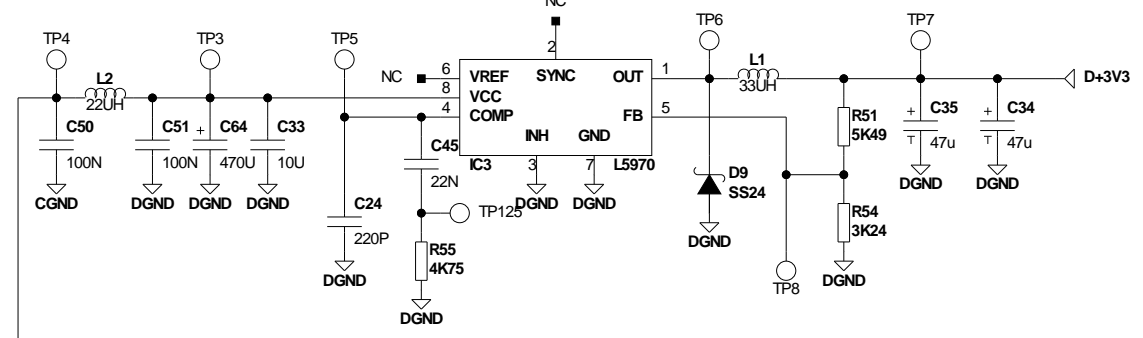
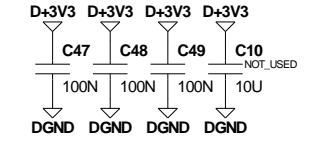


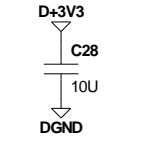
Isolate these components on PCB



Opto Decoupling

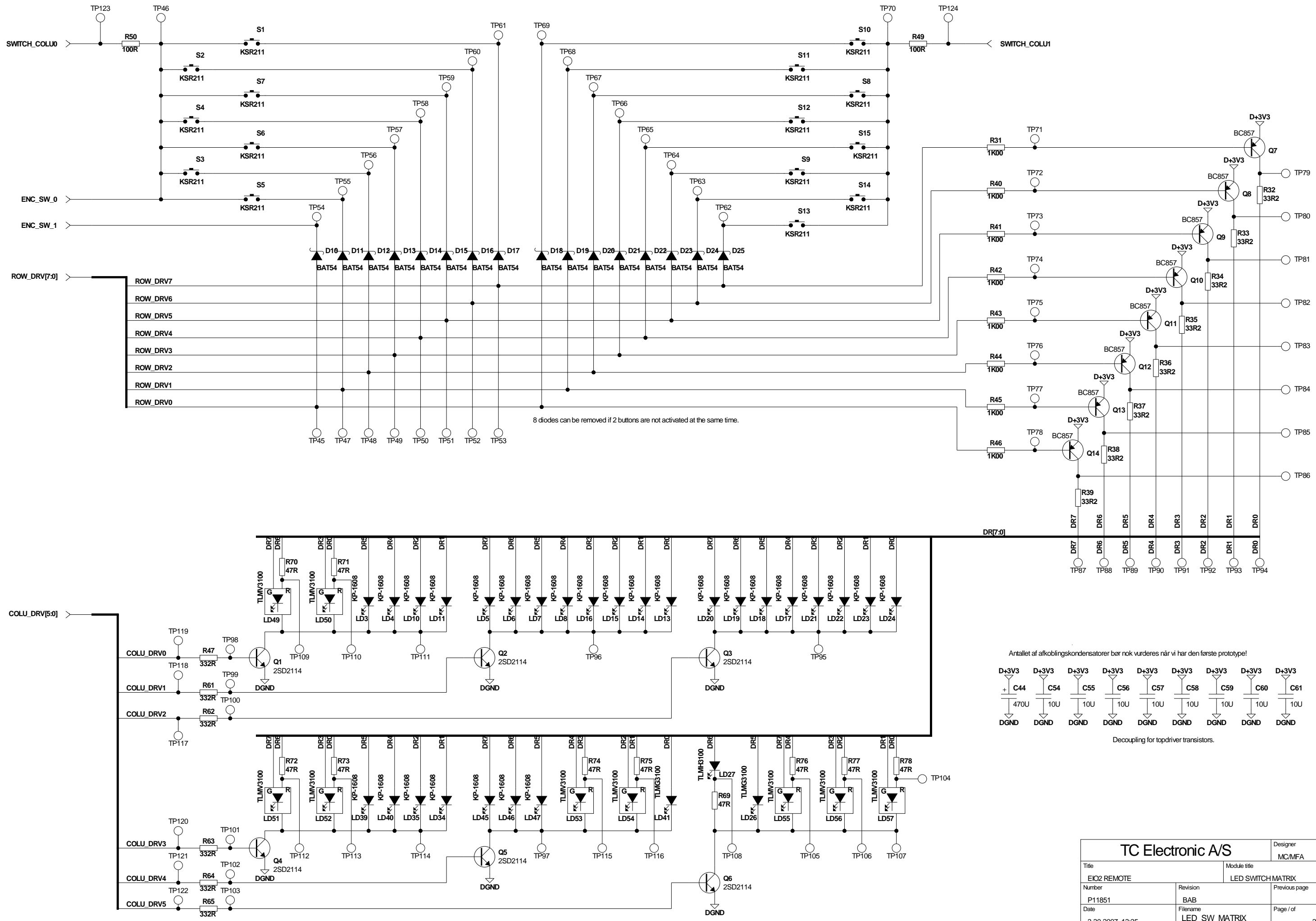


AVR Decoupling



74HC14 Decoupling

TC Electronic A/S		Designer MCM/FA/SAK
Title EIO2 REMOTE		Module title TOP SHEET
Number P11851	Revision BAB	Previous page XX
Date 9-21-2007 14:44	Filename P11851-B	Page / of 1 / 2



Antallet af afkoblingskondensatorer bør nok vurderes når vi har den første prototype!

D+3V3	D+3V3	D+3V3	D+3V3	D+3V3	D+3V3	D+3V3	D+3V3	D+3V3	D+3V3
C44	C54	C55	C56	C57	C58	C59	C60	C61	
470U	10U	10U	10U	10U	10U	10U	10U	10U	
DGND	DGND	DGND	DGND	DGND	DGND	DGND	DGND	DGND	

Decoupling for todriver transistors.

TC Electronic A/S		Designer	MCM/FA
Title		Module title	
EIO2 REMOTE		LED SWITCH MATRIX	
Number	Revision	Previous page	
P11851	BAB	1	
Date	Filename	Page / of	
3-30-2007_13:35	LED_SW_MATRIX	2 / 2	