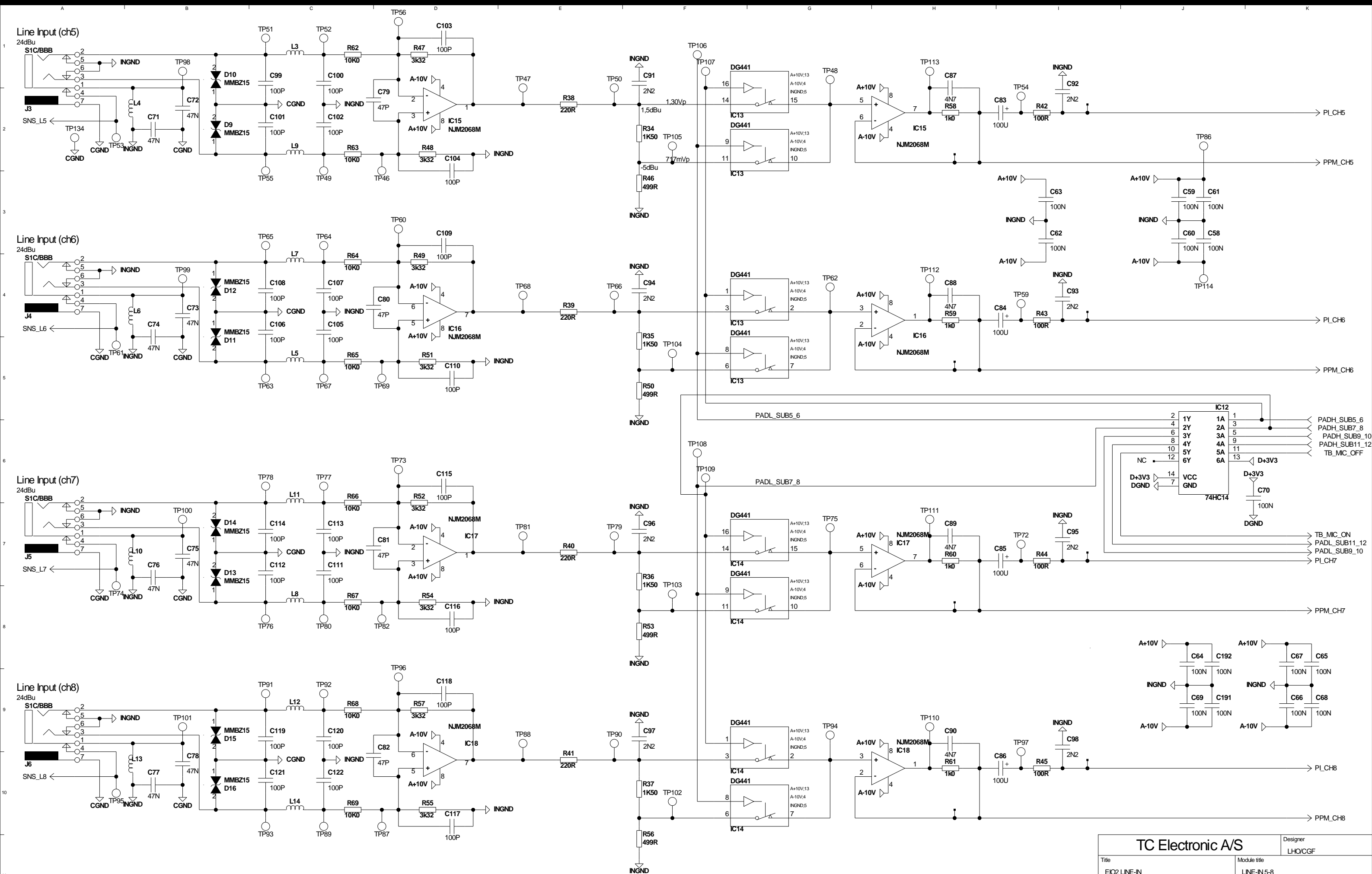
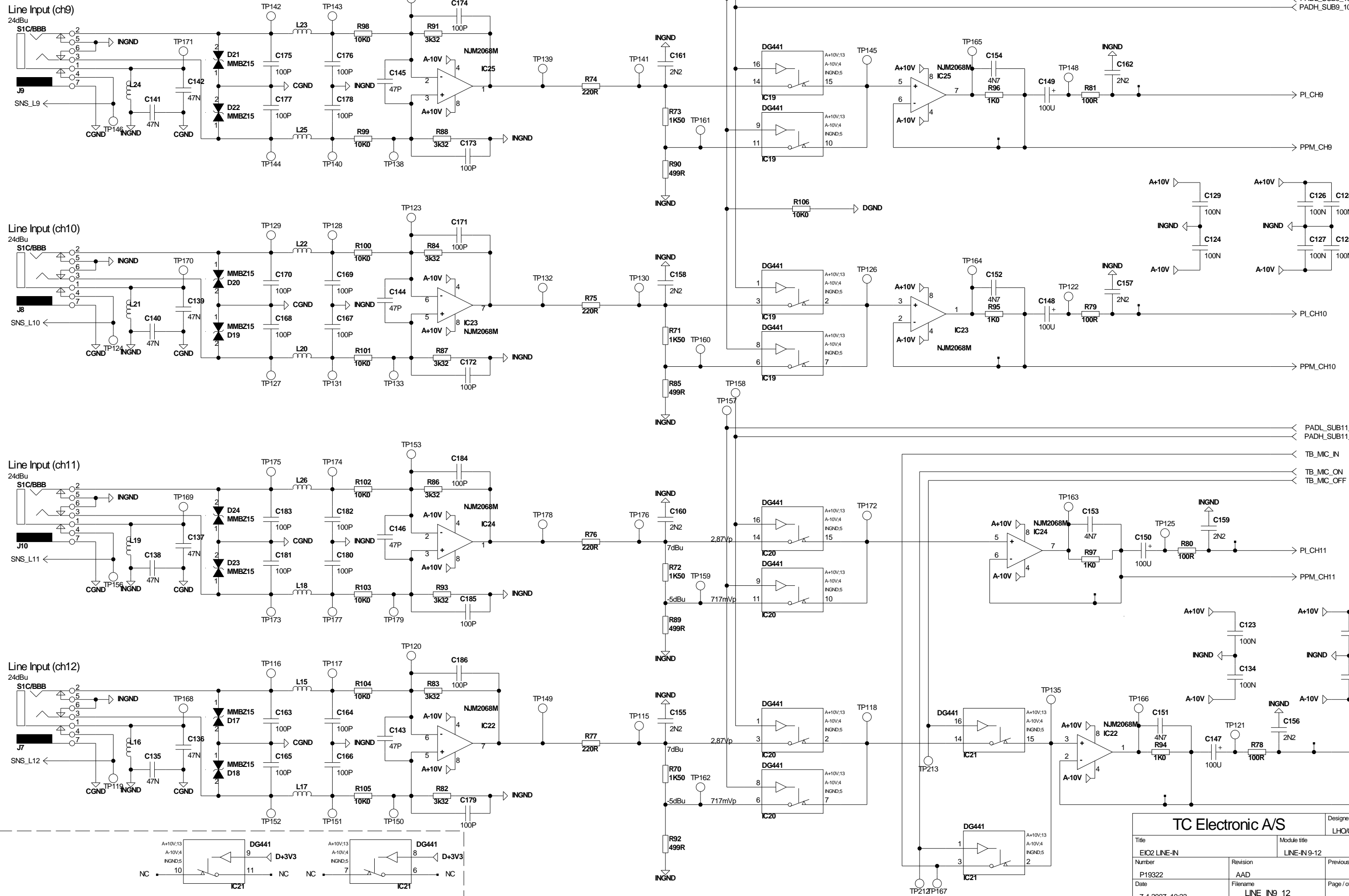


M1
P19322-A

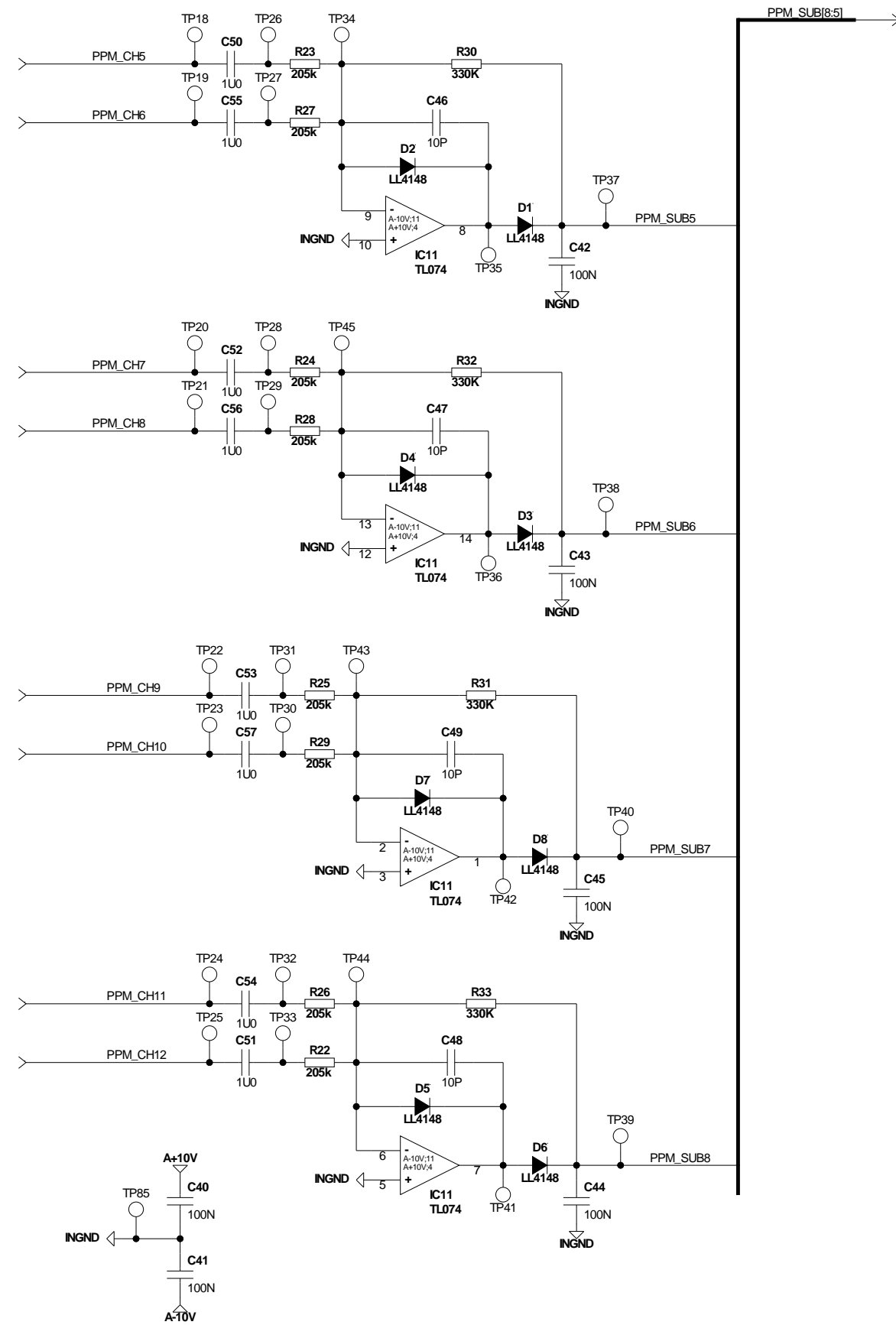
TC Electronic A/S		Designer LHO/CGF/MFA
Title EIO2 LINE-IN		Module title TOP
Number P19322	Revision AAD	Previous page NONE
Date 7-4-2007_10:23	Filename P19322-A	Page / of 1 / 5



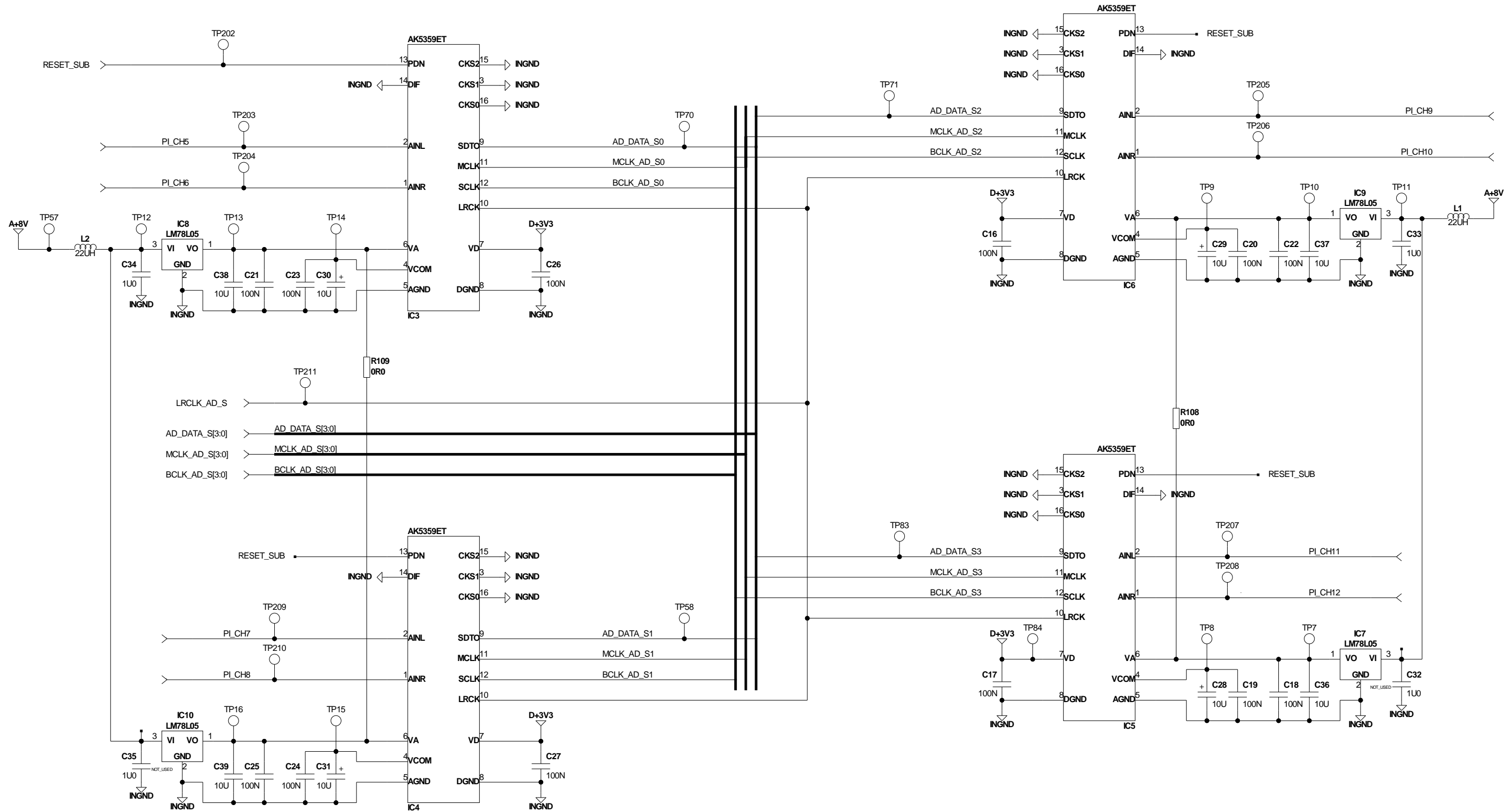
TC Electronic A/S		Designer LHO/CGF
Title EIO2 LINE-IN		Module title LINE-IN 5-8
Number P19322	Revision AAD	Previous page 1
Date 7-4-2007_10:23	Filename LINE_IN	Page / of 2 / 5



TC Electronic A/S		Designer LHO/CGF
Title EIO2 LINE-IN	Module title LINE-IN 9-12	
Number P19322	Revision AAD	Previous page 1
Date 7-4-2007_10:23	Filenam LINE_IN9_12	Page / of 3 / 5



TC Electronic A/S		Designer MFALHOICGF
Title EIO2 LINE-IN		Module title PPM LINE 5-12
Number P19322	Revision AAD	Previous page 1
Date 7-4-2007 10:23	Filename PPM5_12	Page / of 4 / 5



TC Electronic A/S		Designer MFALHOICGF
Title EIO2 LINE-IN		Module title AD CONVERTER LINE 5-12
Number P19322	Revision AAD	Previous page 1
Date 7-4-2007_10:23	Filename AD_5_12	Page / of 5 / 5