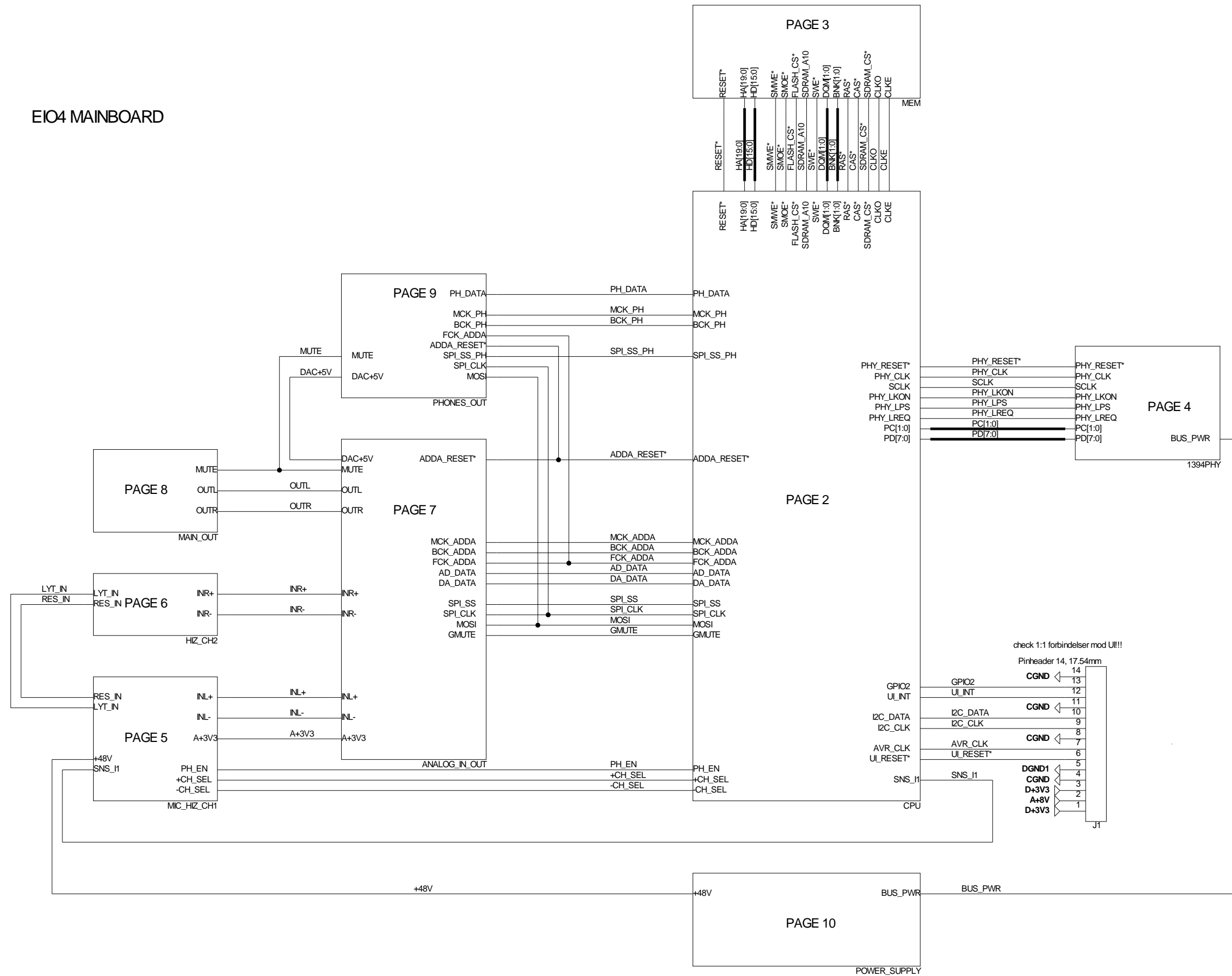
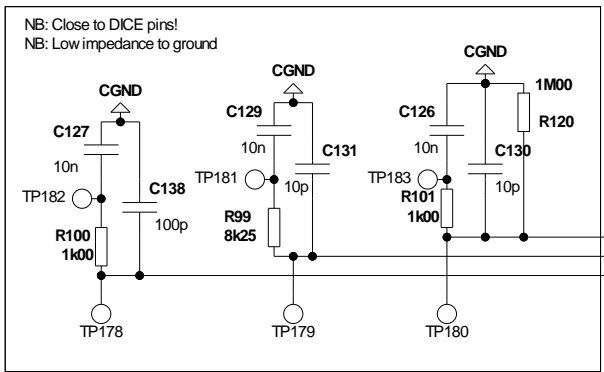
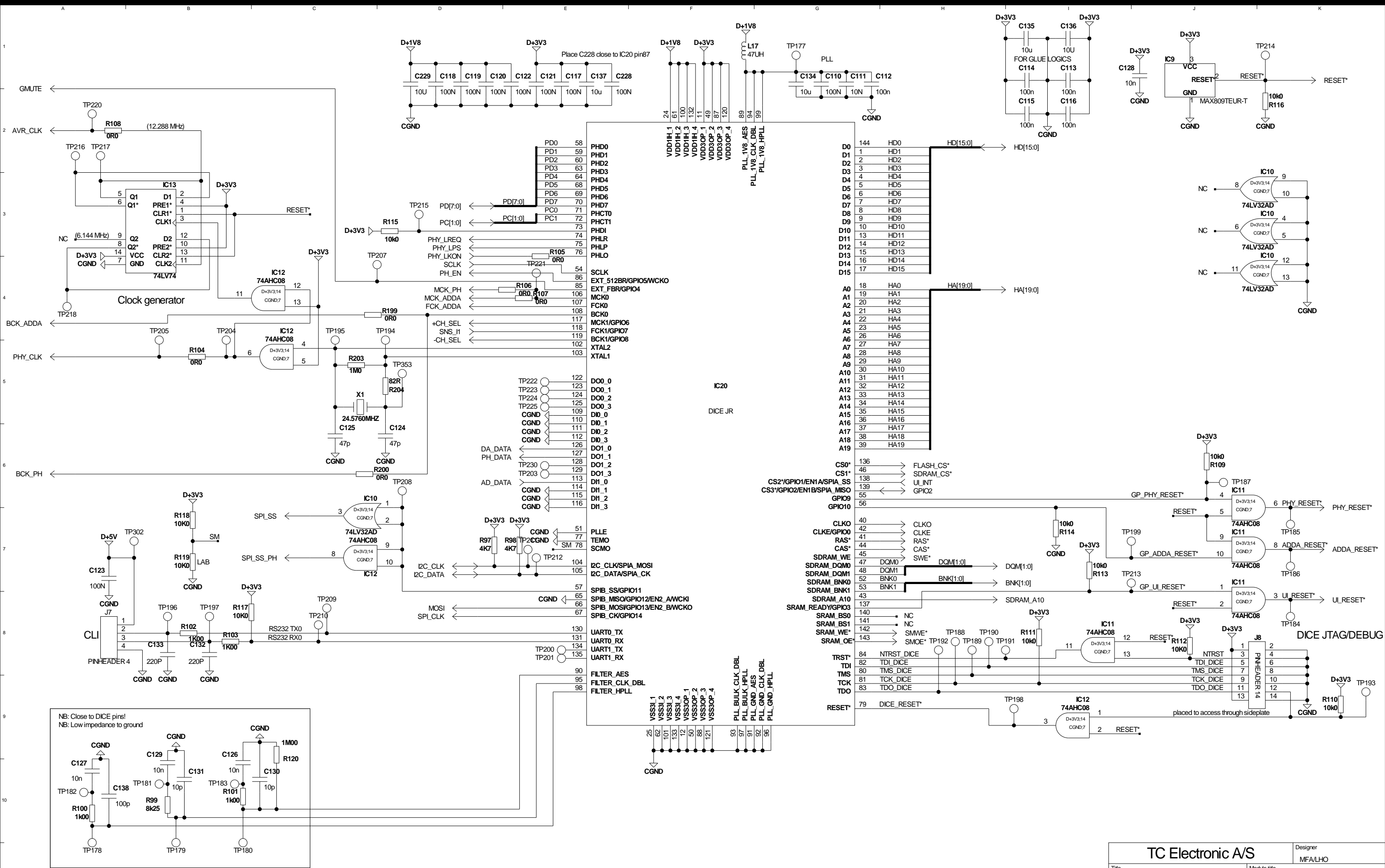


EIO4 MAINBOARD

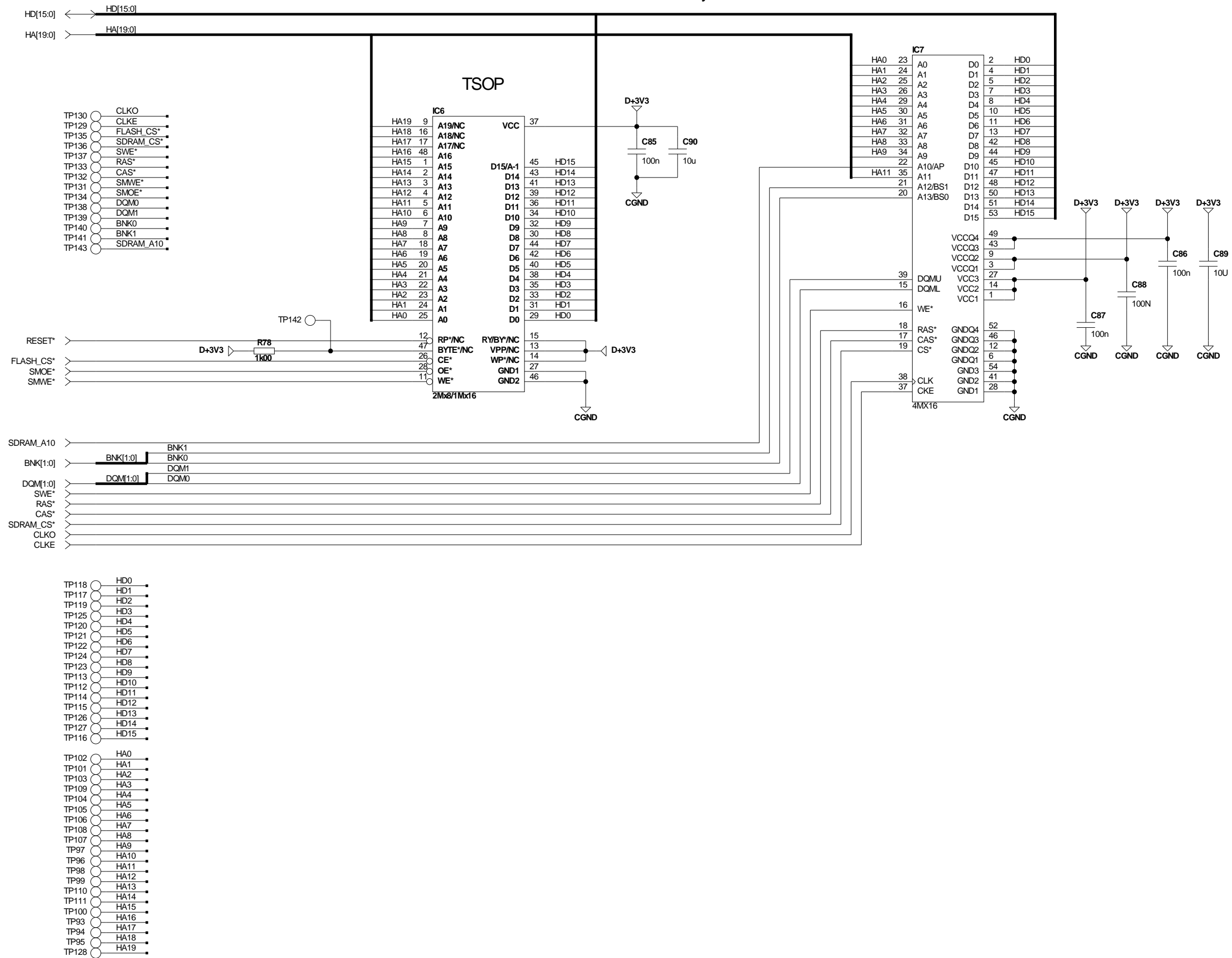


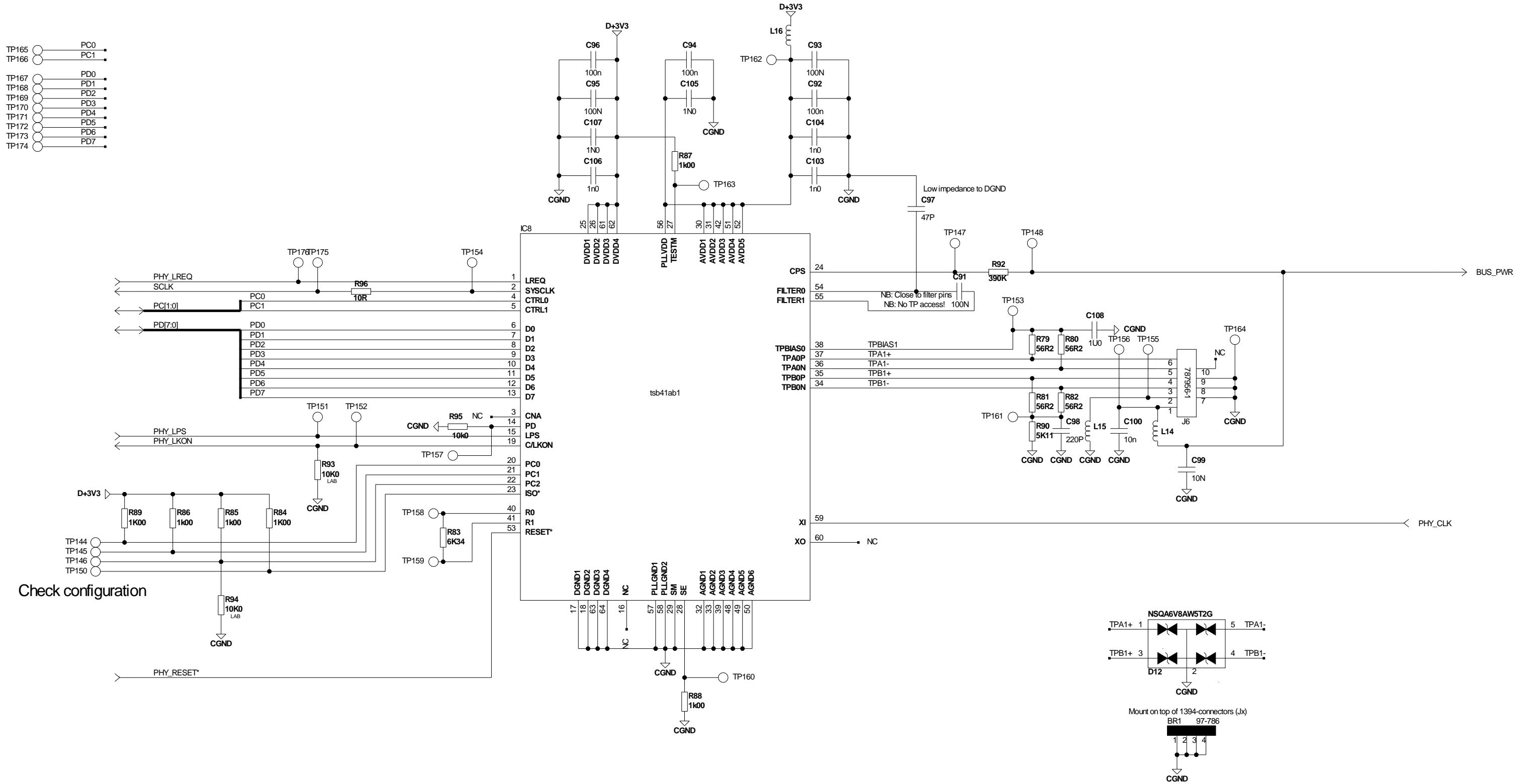
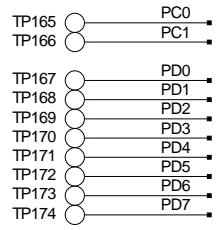
M1
P19341-B

TC Electronic A/S		Designer
		MFA/LHO/CGF
Title	Module title	
EIO4	TOP	
Number	Revision	Previous page
P19341	BAA	NONE
Date	Filename	Page / of
12-12-2007_10:55	P19341-B	1 / 10



Host Memory



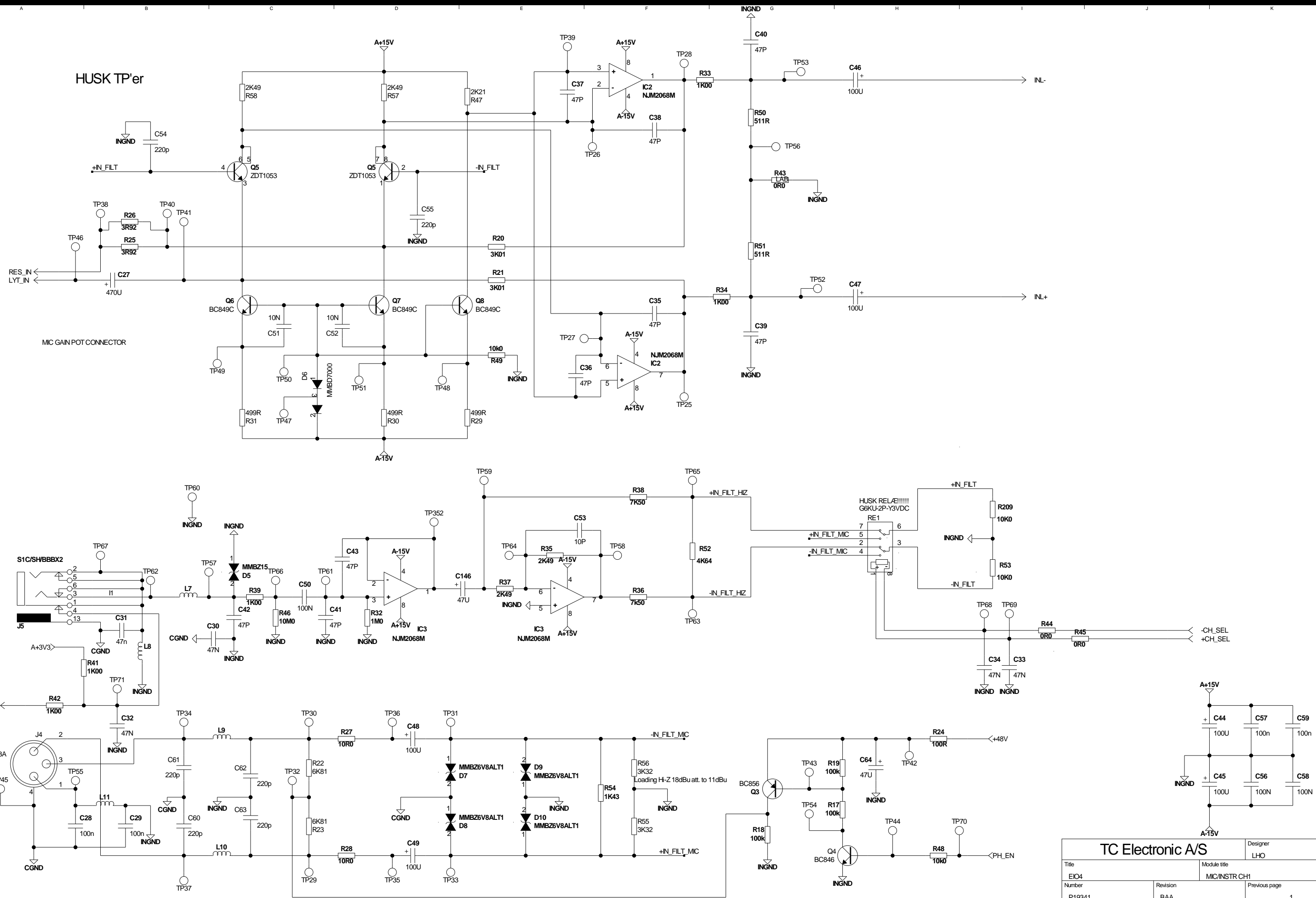


Check configuration

PC0-PC2	DEFAULT POWER CLASS
000	Node does not need power and does not repeat power.
001	Node is self-powered and provides a minimum of 15 W to the bus.
010	Node is self-powered and provides a minimum of 30 W to the bus.
011	Node is self-powered and provides a minimum of 45 W to the bus.
100	Node may be powered from the bus and is using up to 3 W. No additional power is needed to enable the link.
101	Reserved for future standardization.
110	Node is powered from the bus and is using up to 3 W. An additional 3 W is needed to enable the link.
111	Node is powered from the bus and is using up to 3 W. An additional 7 W is needed to enable the link.

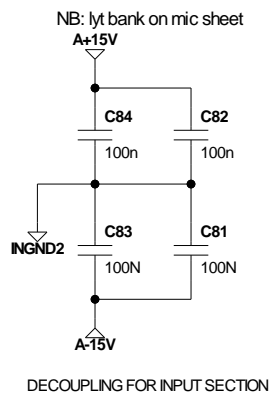
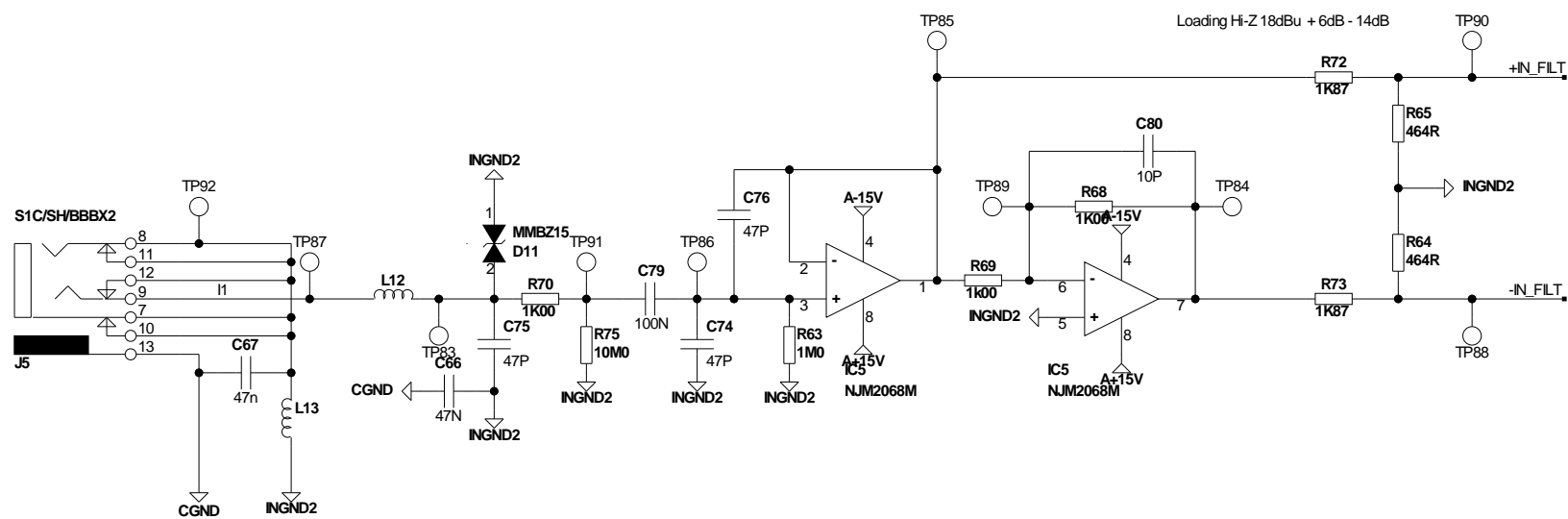
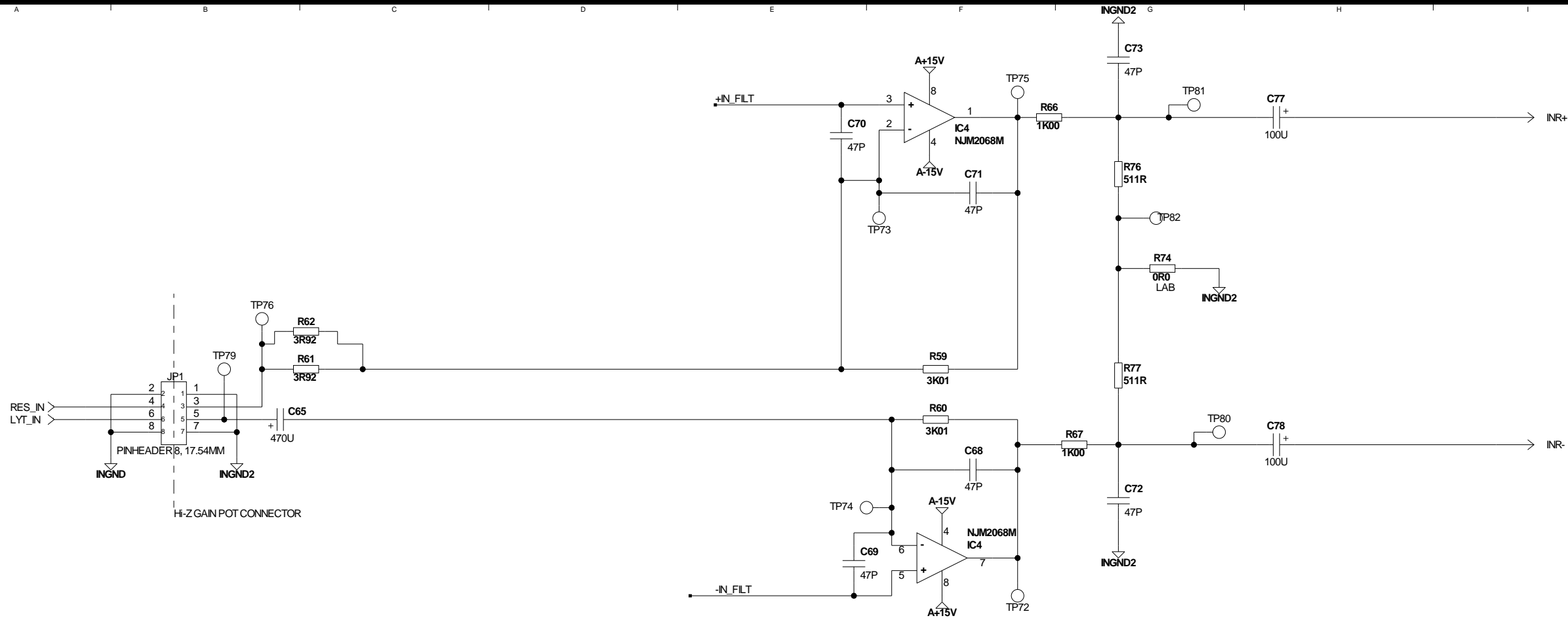
TC Electronic A/S		Designer LHOMFA/CGF
Title EIO4	Module title FIREWIRE PHY	
Number P19341	Revision BAA	Previous page 1
Date 12-12-2007_10:32	Filename 1394PHY	Page / of 4 / 10

HUSK TP'er

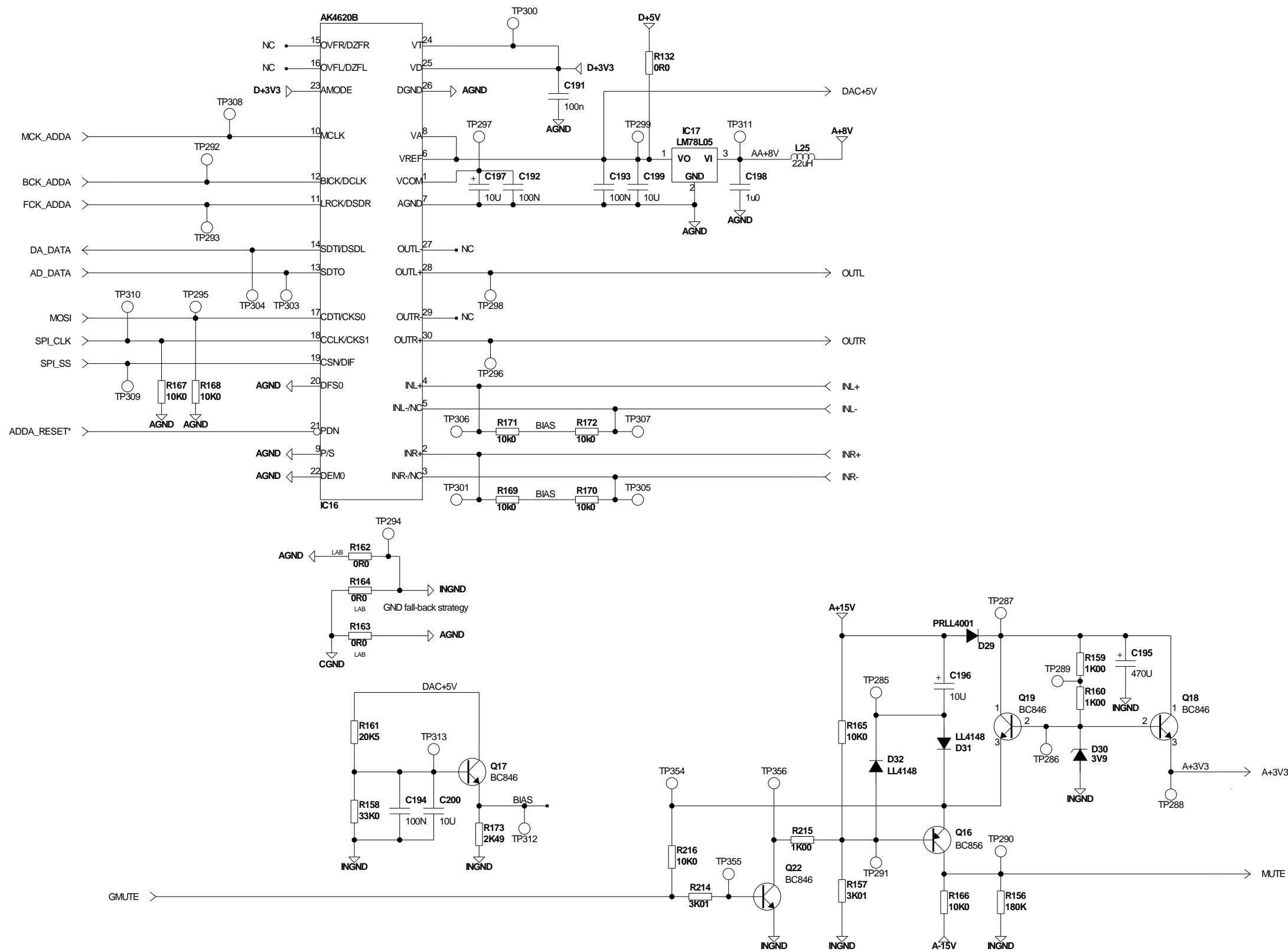


DECOUPLING FOR INPUT SECTION

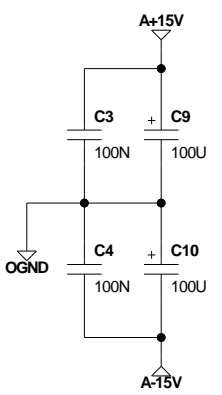
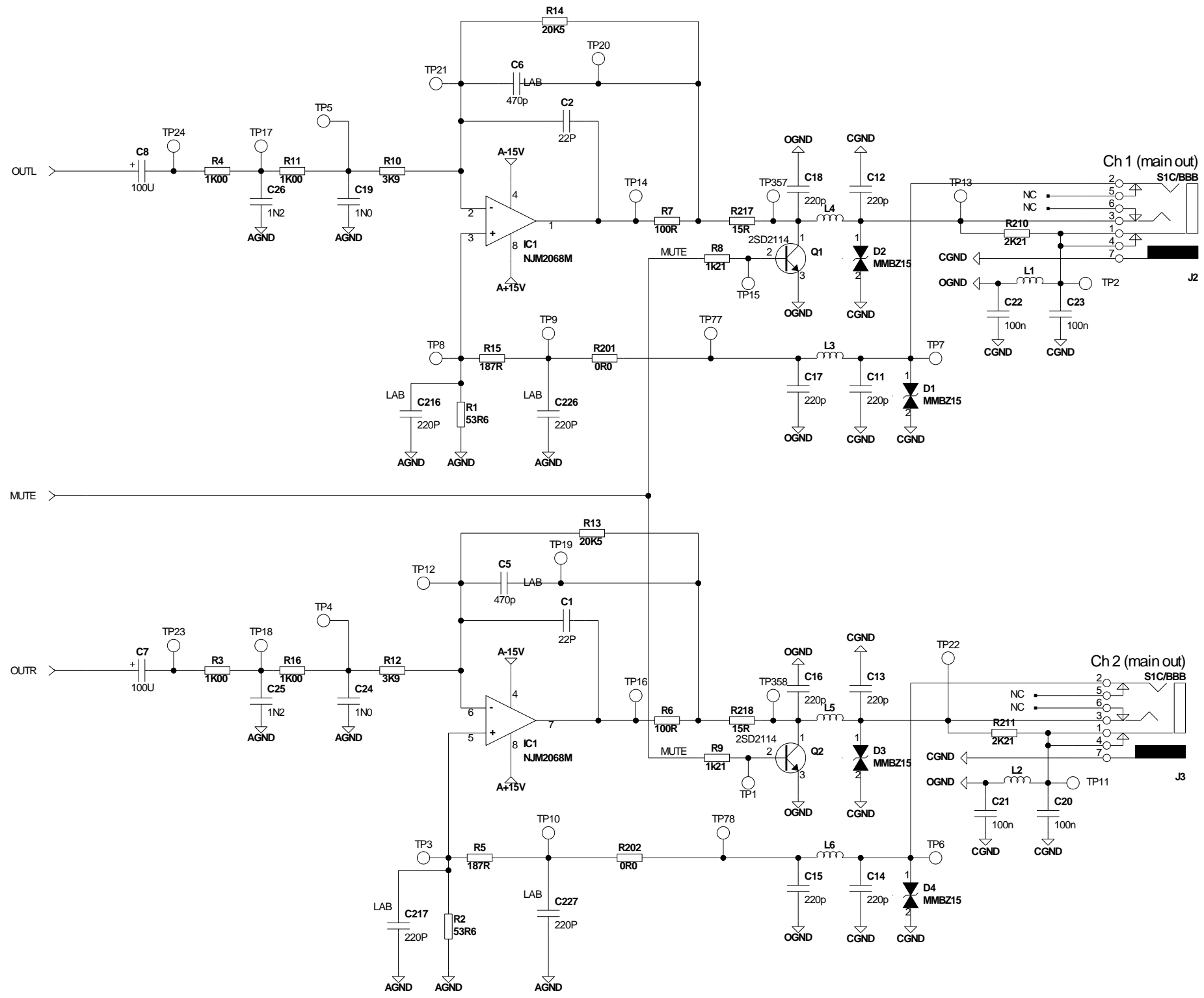
TC Electronic A/S		Designer LHO
Title EIO4	Module title MIC/INSTR CH1	
Number P19341	Revision BAA	Previous page 1
Date 12-12-2007_10:32	Filename MIC_HIZ.CH1	Page / of 5 / 10



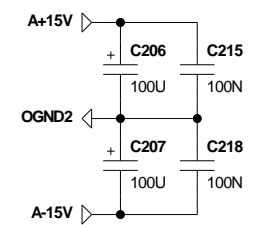
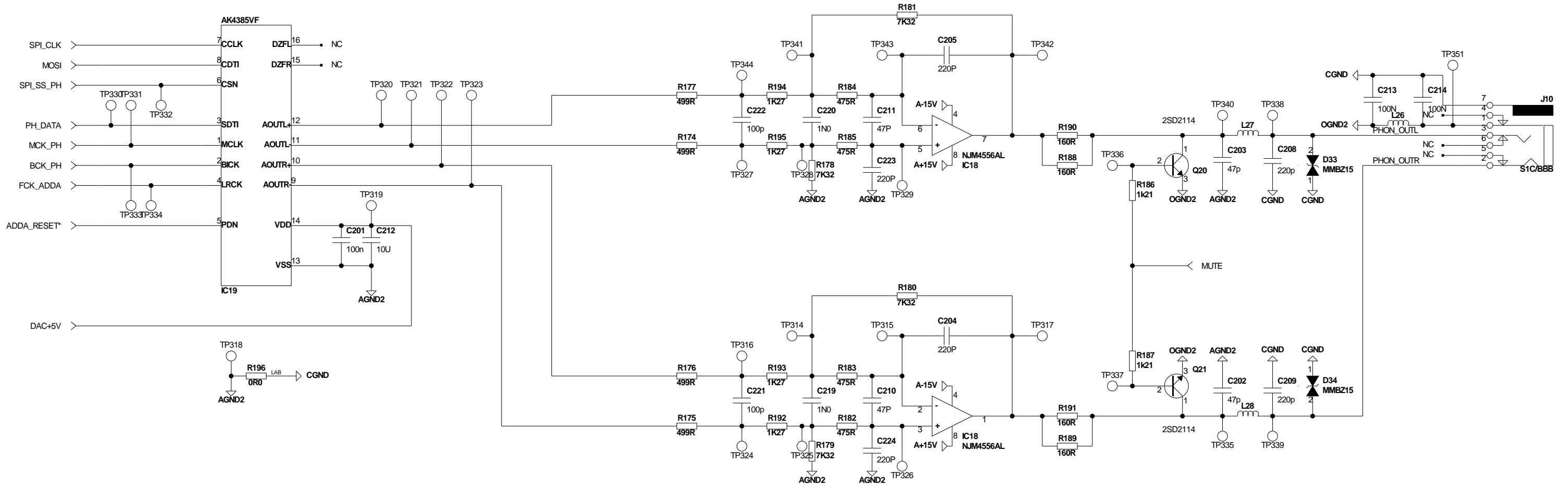
Title		Module title	
EIO4		INSTR CH2	
Number	Revision	Previous page	
P19341	BAA	1	
Date	Filename	Page / of	
12-12-2007_10:32	HIZ_CH2	6 / 10	
TC Electronic A/S			Designer
			LHO



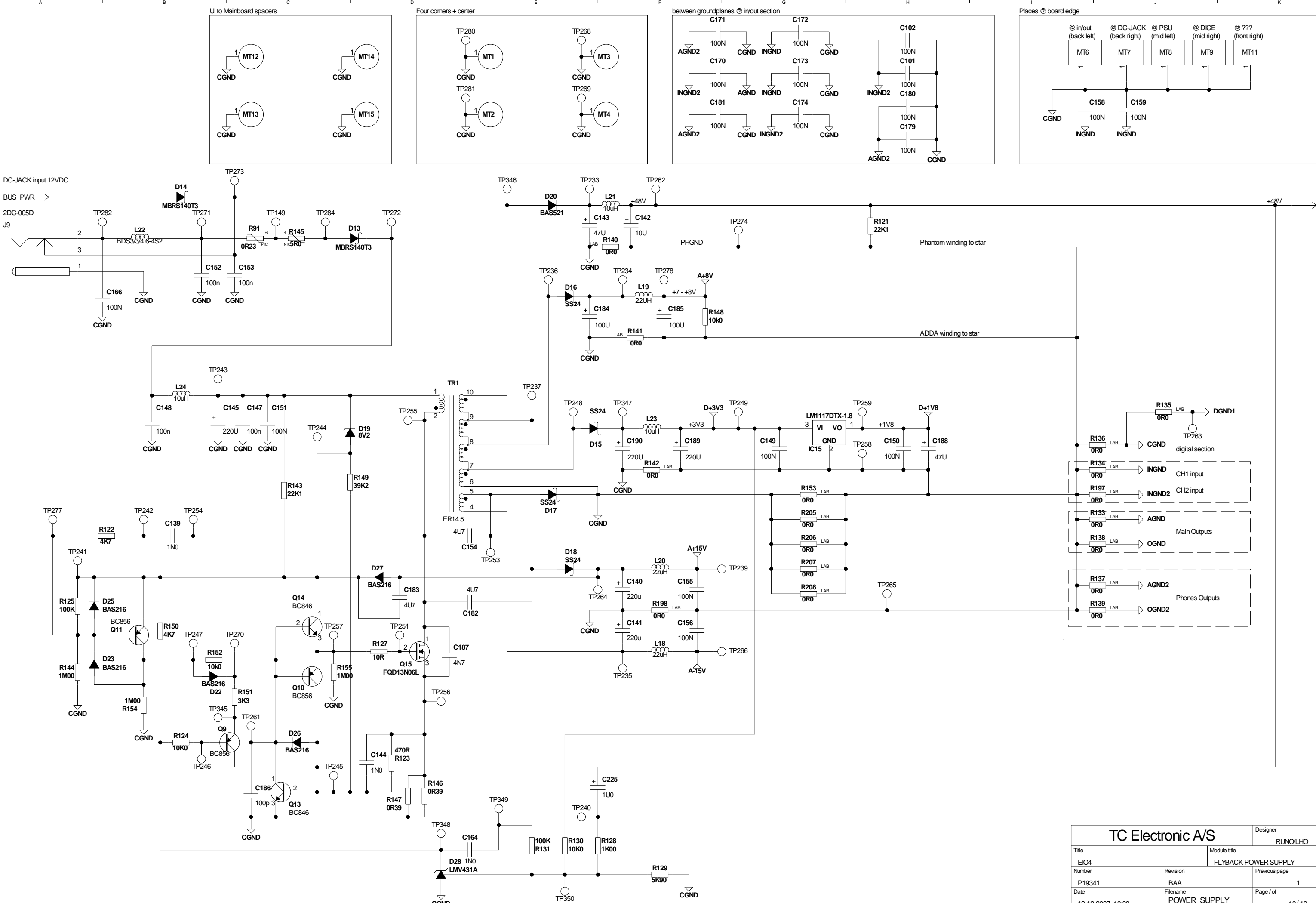
Title		Module title		Designer	
EIO4		ANALOG IN/OUT		LHO	
Number	Revision	Previous page			
P19341	BAA	1			
Date	Filename	Page / of			
12-12-2007_10:32	ANALOG_IN_OUT	7 / 10			



Title		Module title	
EIO4		MAIN OUTPUT	
Number	Revision	Previous page	
P19341	BAA	1	
Date	Filename	Page / of	
12-12-2007_10:32	MAIN_OUT	8 / 10	
TC Electronic A/S		Designer	
		LHO	



TC Electronic A/S		Designer LHO
Title EIO4	Module title PHONES OUTPUT	
Number P19341	Revision BAA	Previous page 1
Date 12-12-2007_10:32	Filename PHONES_OUT	Page / of 9 / 10



TC Electronic A/S		Designer
		RUNOLHO
Title	Module title	
EIO4	FLYBACK POWER SUPPLY	
Number	Revision	Previous page
P19341	BAA	1
Date	Filename	Page / of
12-12-2007_10:32	POWER_SUPPLY	10 / 10