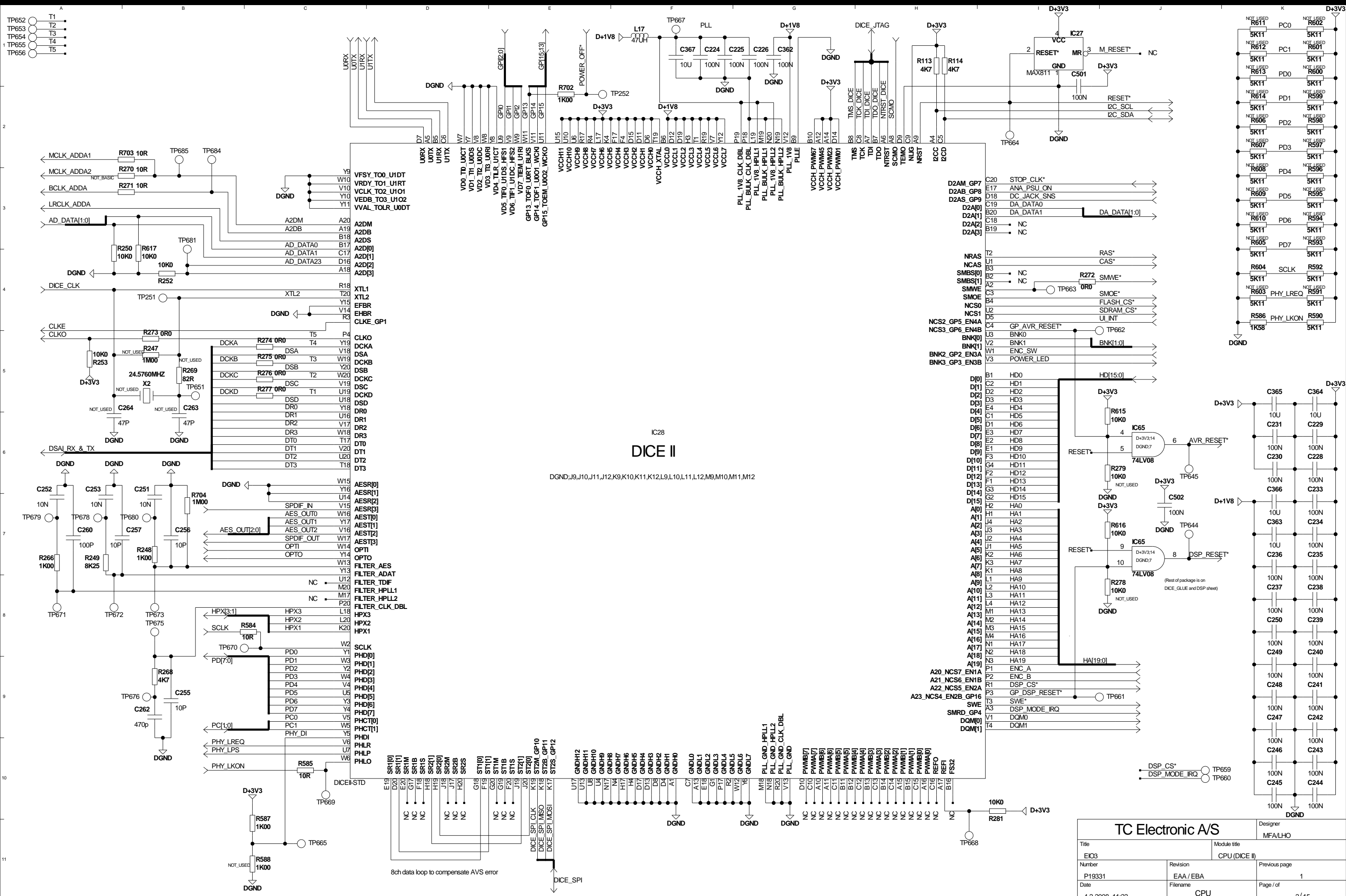
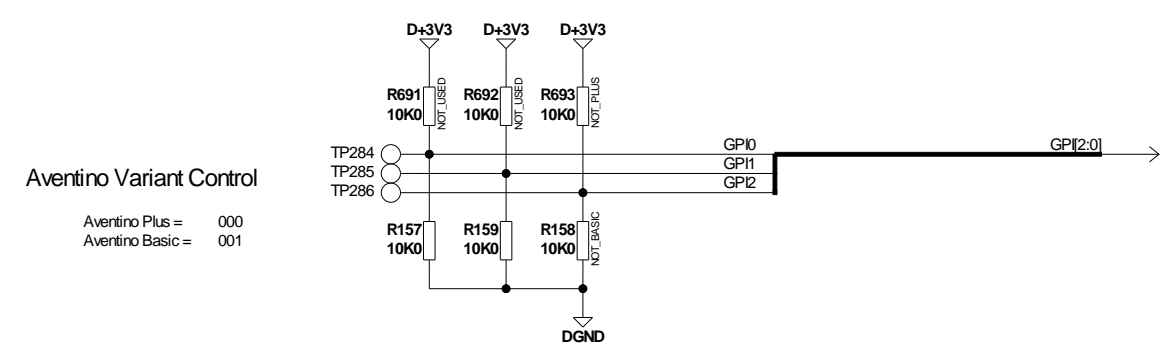
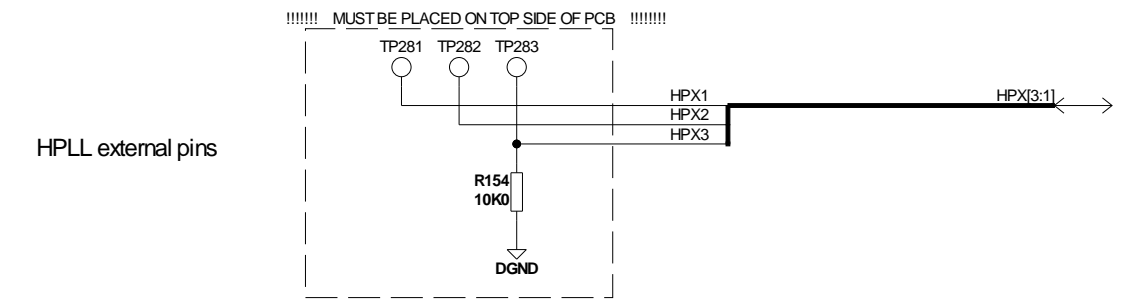
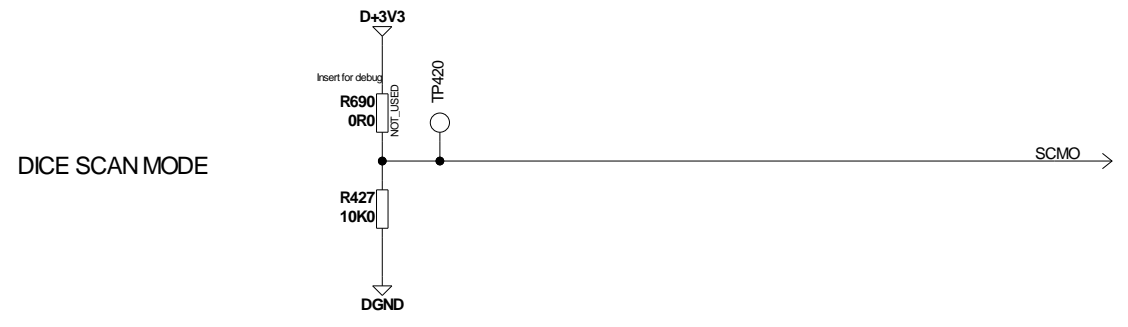
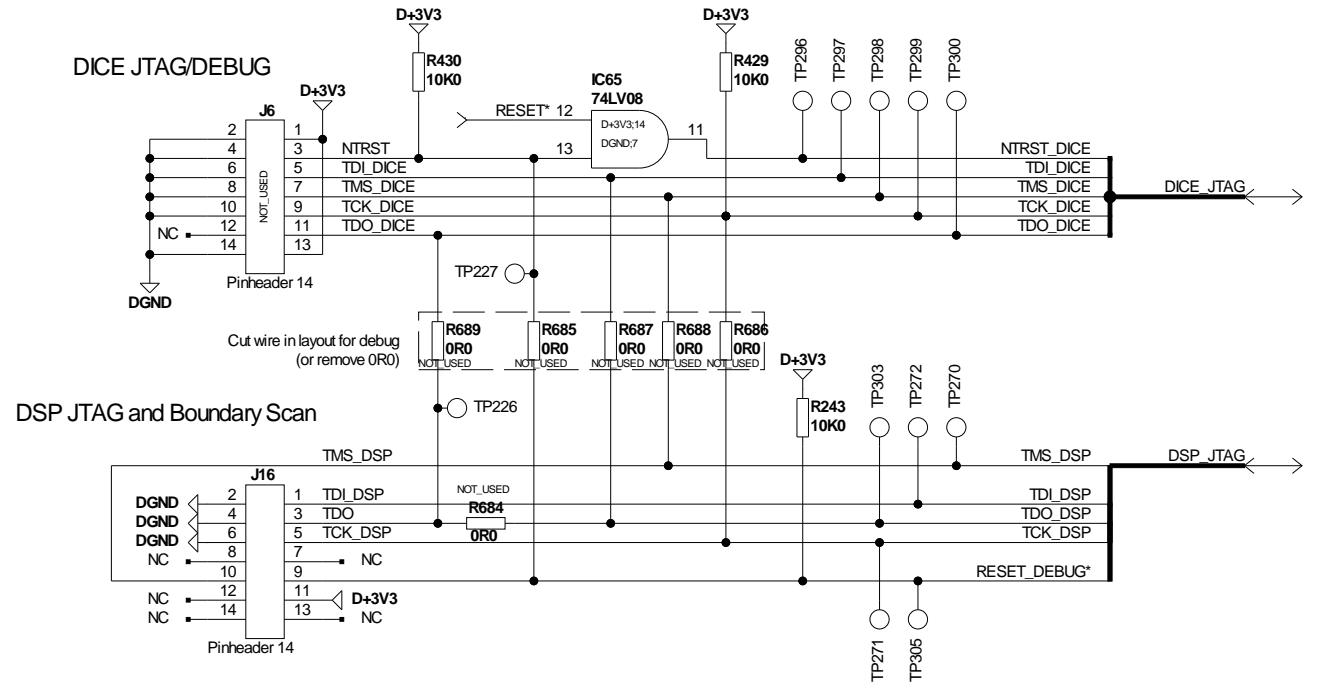
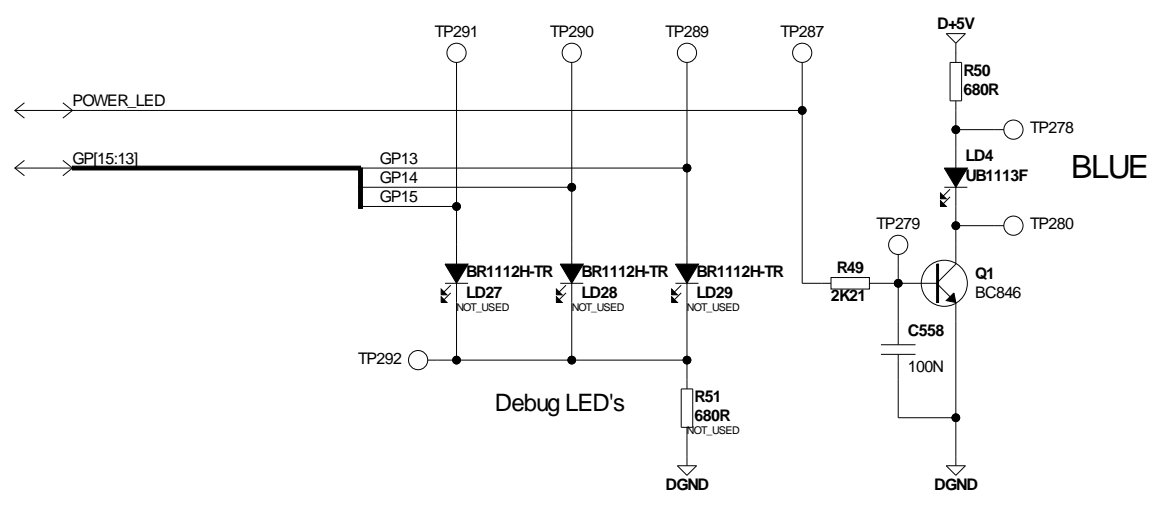
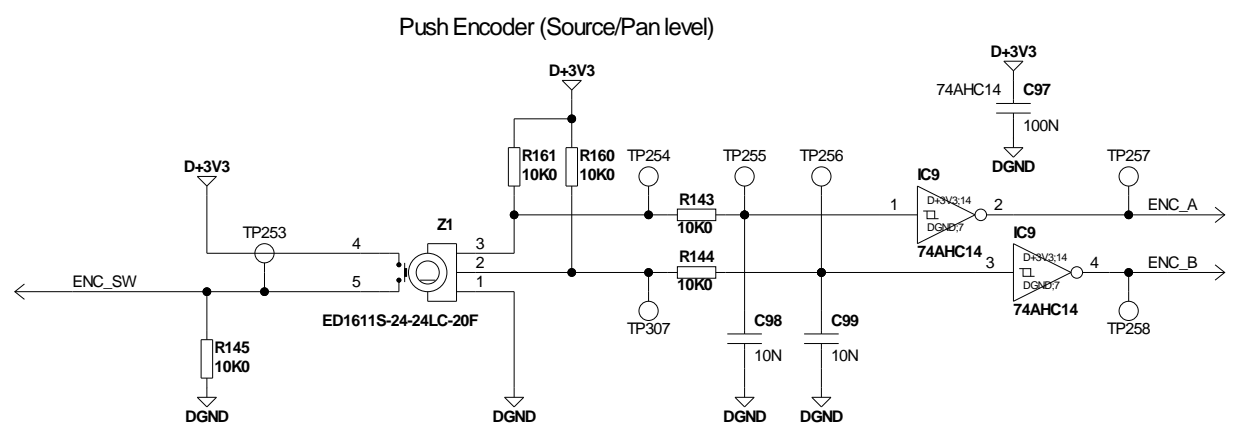
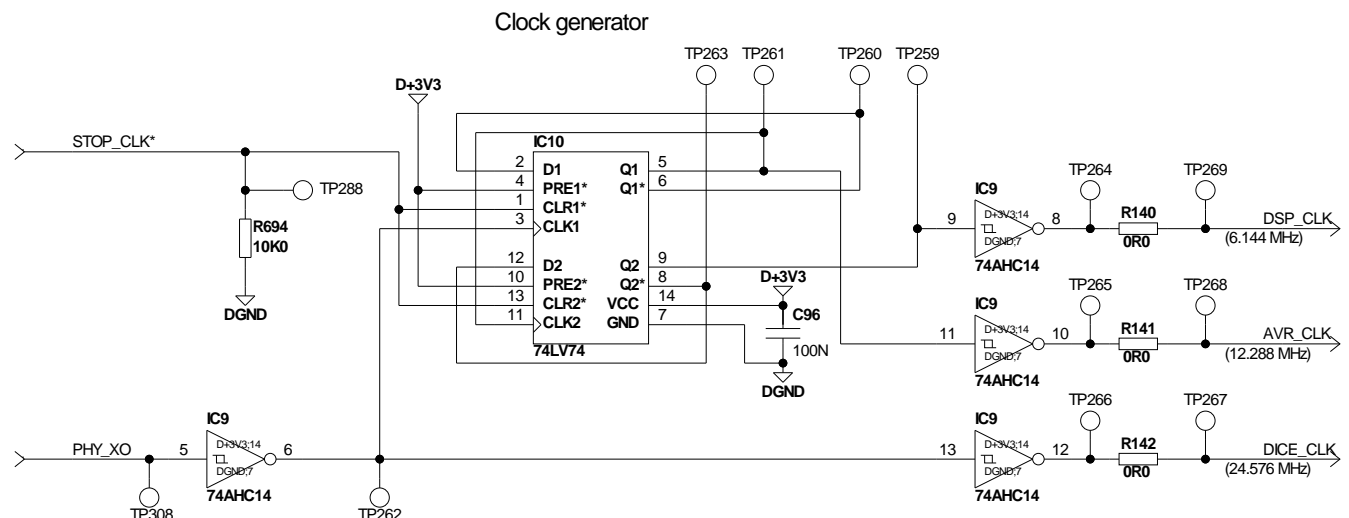


TC Electronic A/S		Designer
EIO3		MFA/LHO
Number	Revision	Previous page
P19331	EAA / EBA	NONE
Date	Filename	Page / of
4-14-2008_14:51	P19331-E	1 / 15

M10
P19331-E

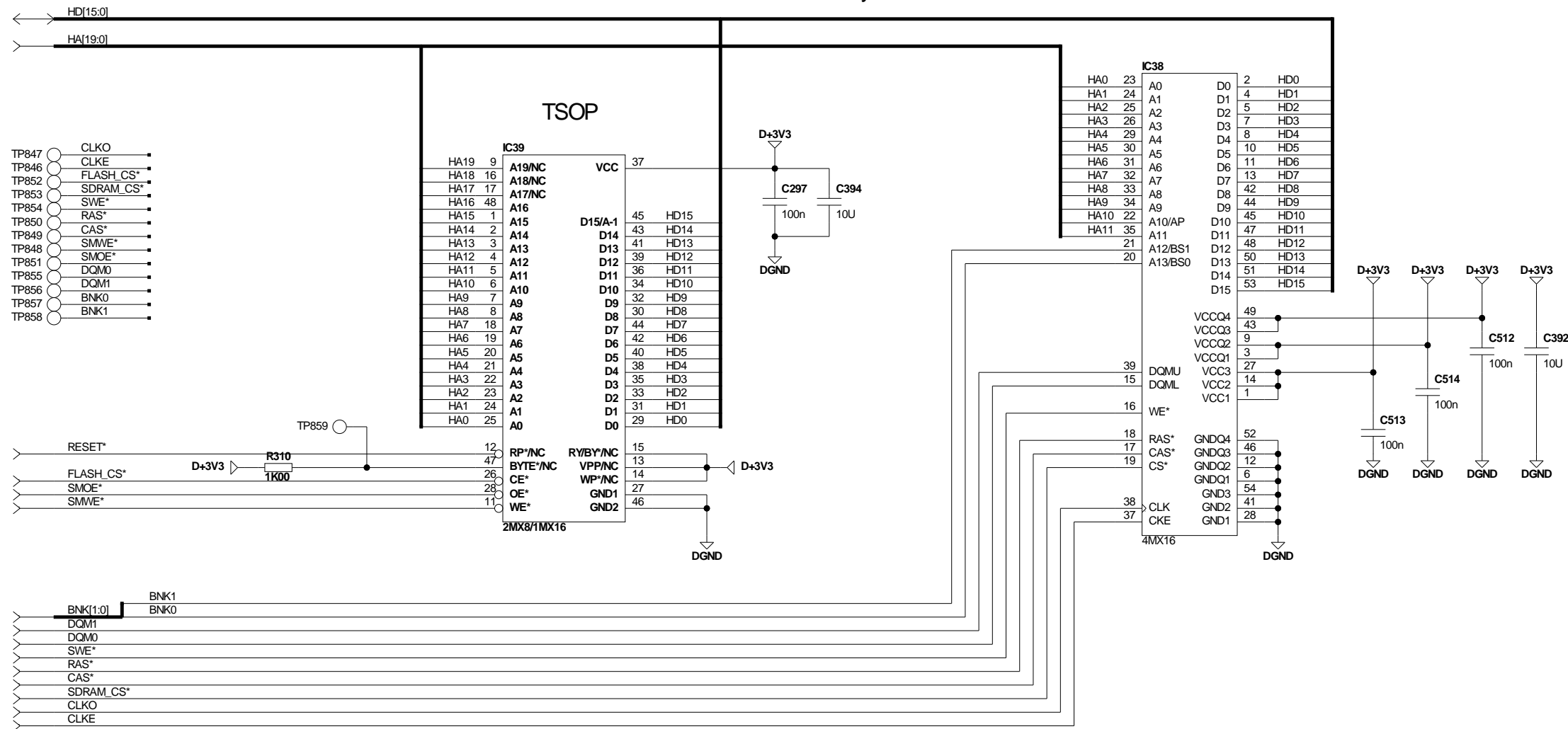


TC Electronic A/S		Designer	
Title		MFA/LHO	
Module title		CPU (DICE II)	
Number	Revision	Previous page	
P19331	EAA / EBA	1	
Date	Filename	Page / of	
4-2-2008_11:23	CPU	2 / 15	



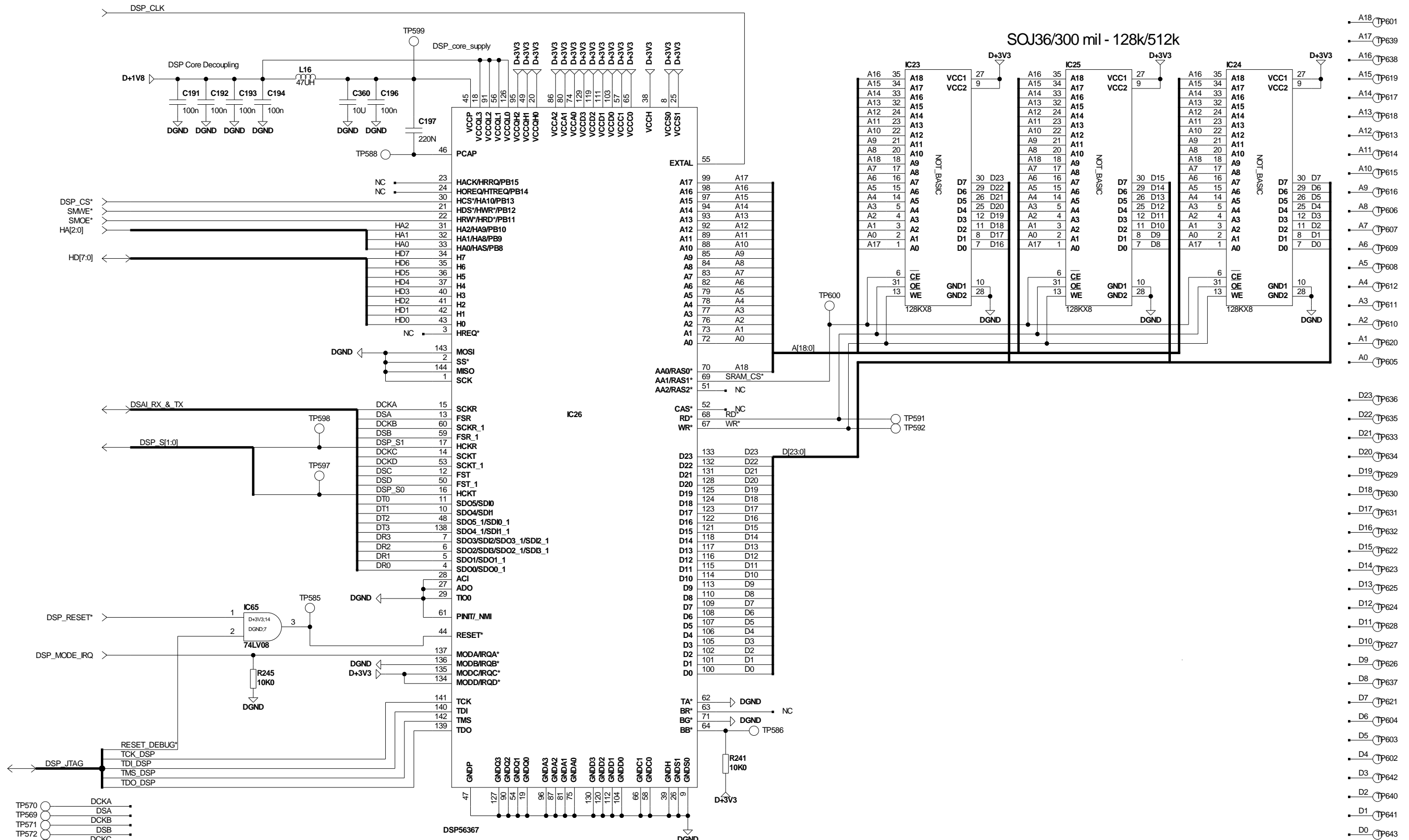
TC Electronic A/S		Designer MFA
Title EIO3	Module title DICE_GLUE	
Number P19331	Revision EAA / EBA	Previous page 1
Date 4-2-2008_11:15	Filename DICE_GLUE	Page / of 3 / 15

Host Memory

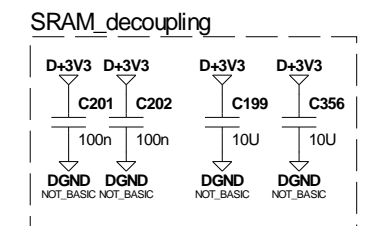
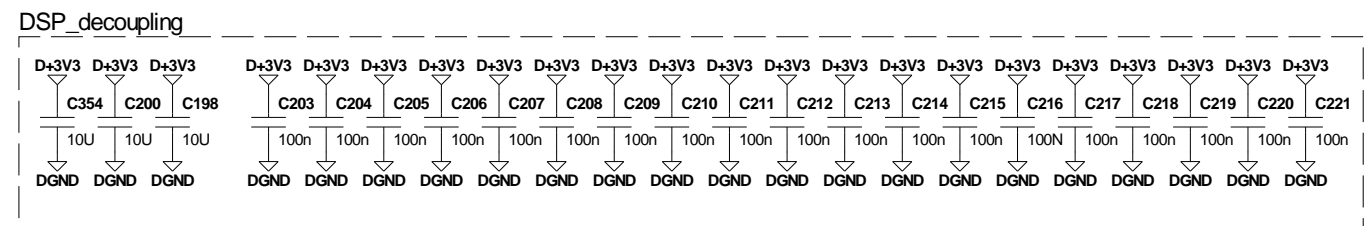


- TP835 HD0
- TP834 HD1
- TP836 HD2
- TP842 HD3
- TP837 HD4
- TP838 HD5
- TP839 HD6
- TP841 HD7
- TP840 HD8
- TP830 HD9
- TP829 HD10
- TP831 HD11
- TP832 HD12
- TP843 HD13
- TP844 HD14
- TP833 HD15

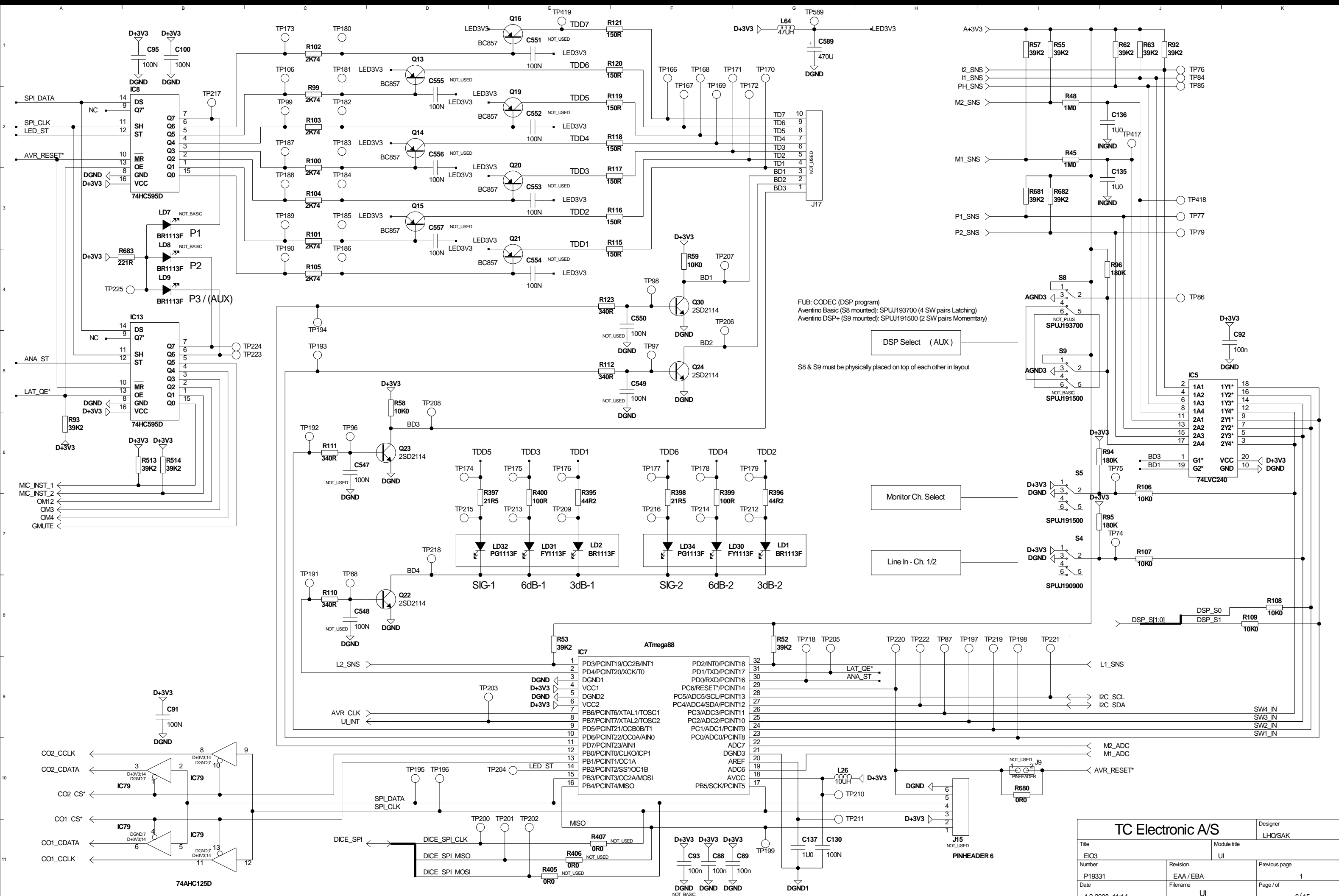
- TP819 HA0
- TP818 HA1
- TP820 HA2
- TP826 HA3
- TP821 HA4
- TP822 HA5
- TP823 HA6
- TP825 HA7
- TP824 HA8
- TP814 HA9
- TP813 HA10
- TP815 HA11
- TP816 HA12
- TP827 HA13
- TP828 HA14
- TP817 HA15
- TP810 HA16
- TP811 HA17
- TP812 HA18
- TP845 HA19



- TP570 DCKA
- TP569 DSA
- TP571 DCKB
- TP572 DSB
- TP573 DCKC
- TP574 DCKD
- TP575 DSC
- TP576 DSD
- TP577 DT0
- TP578 DT1
- TP579 DT2
- TP580 DT3
- TP581 DR3
- TP582 DR2
- TP583 DR1
- TP584 DR0



TC Electronic A/S		Designer	LHOMFA
Title	EIO3	Module title	DSP
Number	P19331	Revision	EAA / EBA
Date	4-2-2008 11:23	Filename	DSP
		Previous page	1
		Page / of	5 / 15



FUB: CODEC (DSP program)
 Averitino Basic (S8 mounted); SPUJ193700 (4 SW pairs Latching)
 Averitino DSP+ (S9 mounted); SPUJ191500 (2 SW pairs Momentary)

DSP Select (AUX)

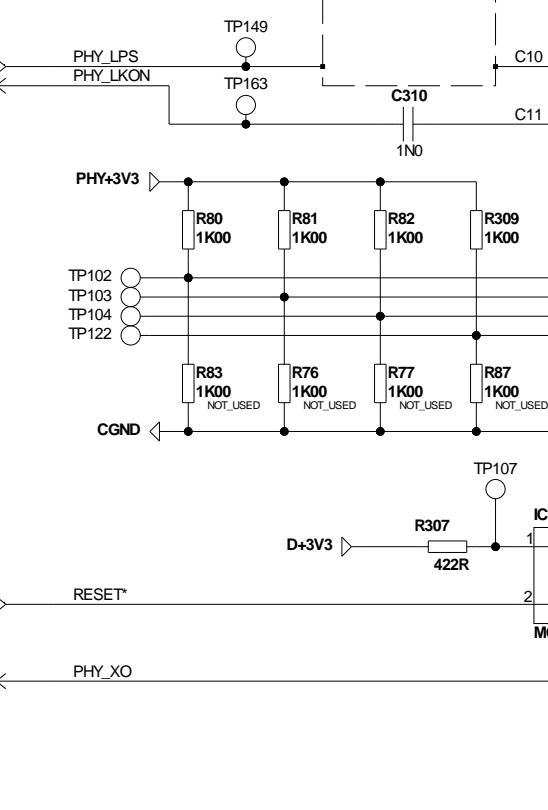
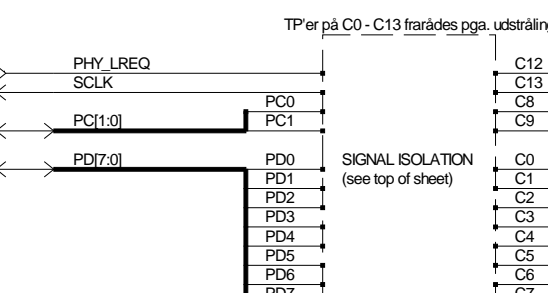
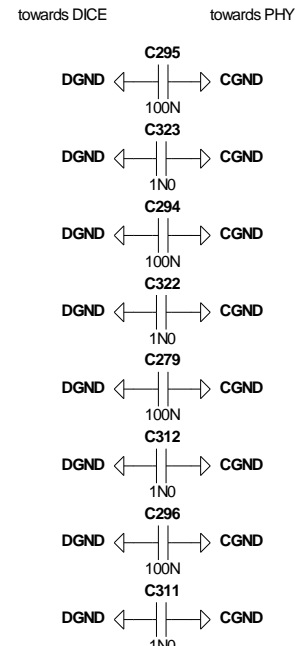
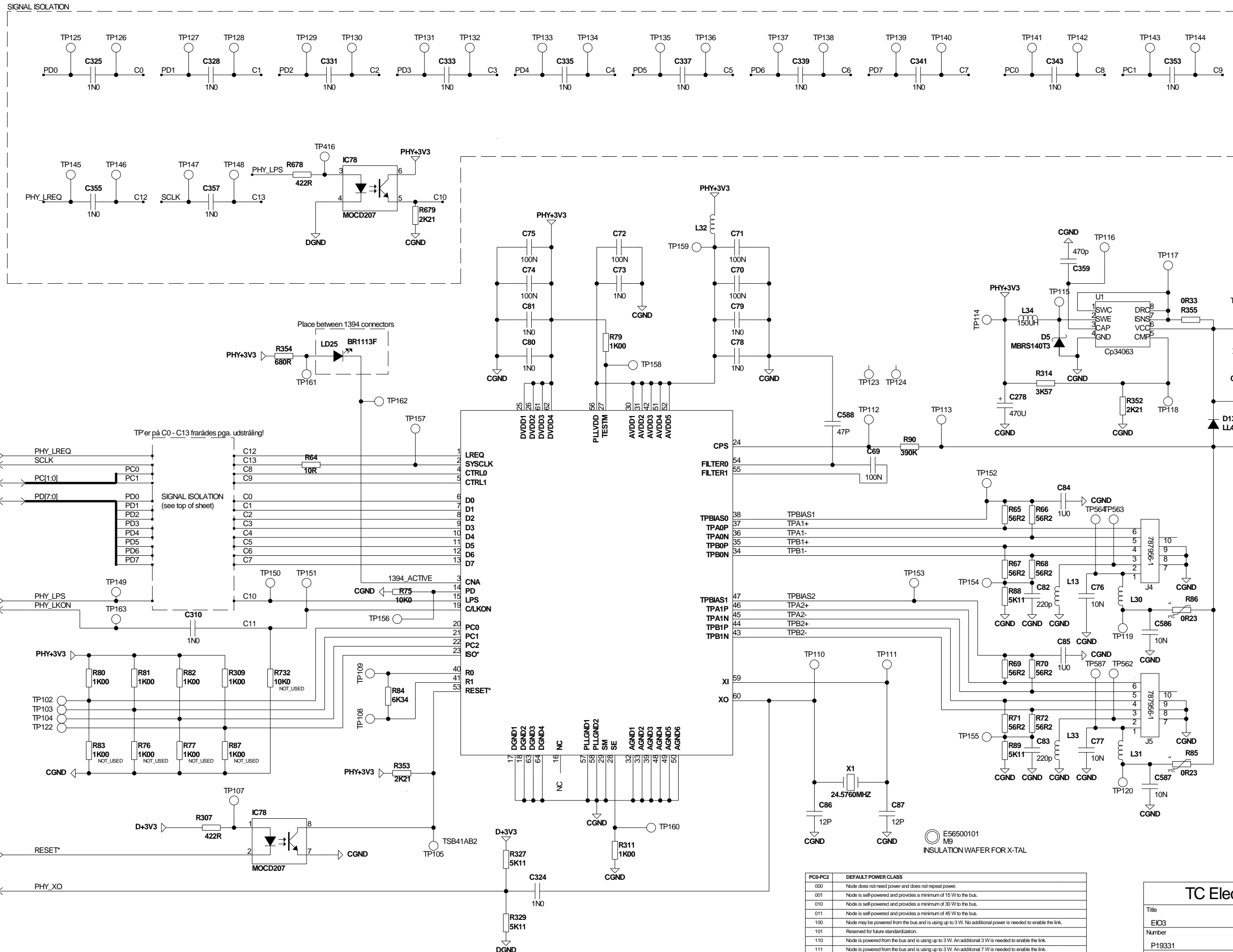
S8 & S9 must be physically placed on top of each other in layout

Monitor Ch. Select

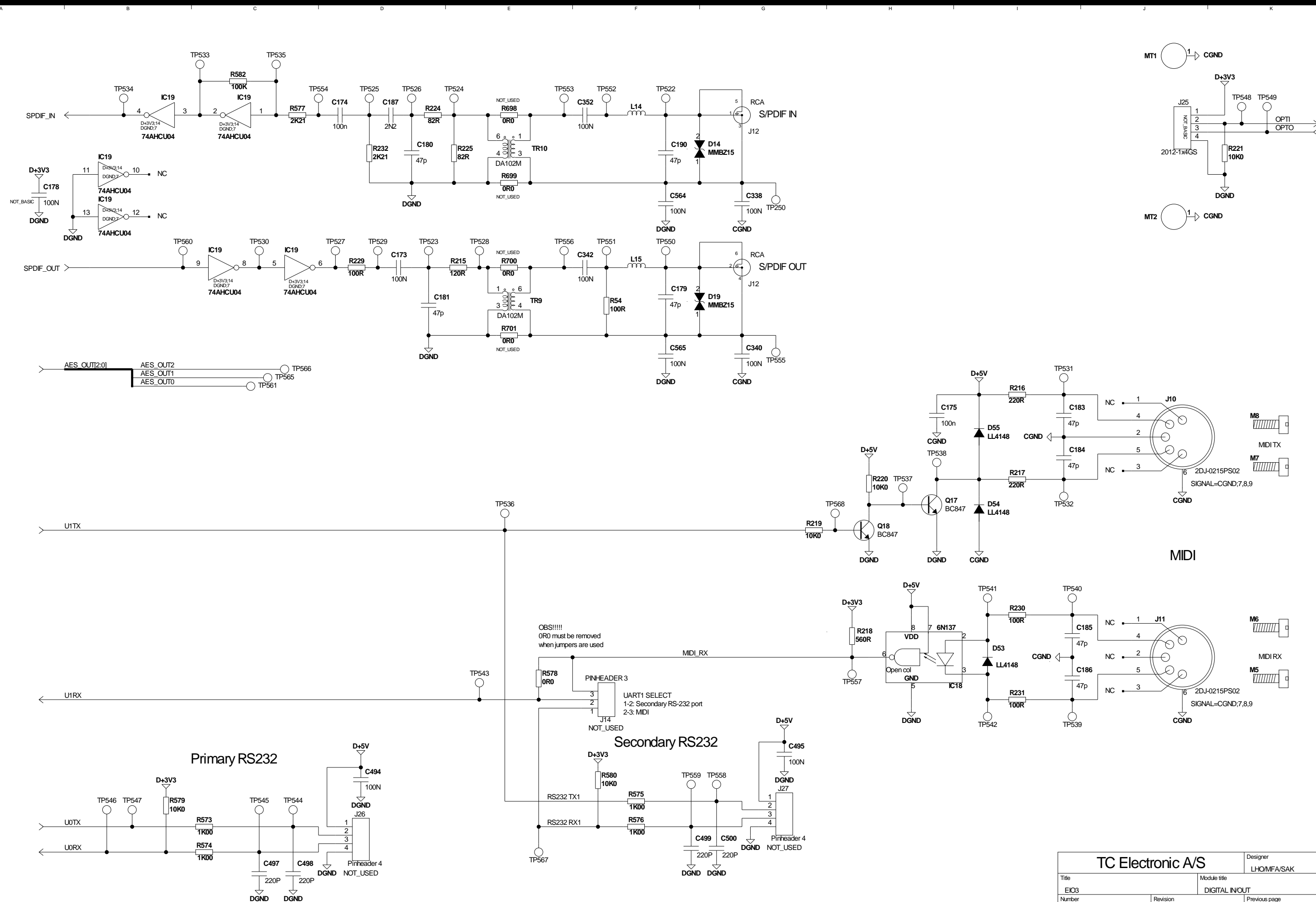
Line In - Ch. 1/2

TC Electronic A/S

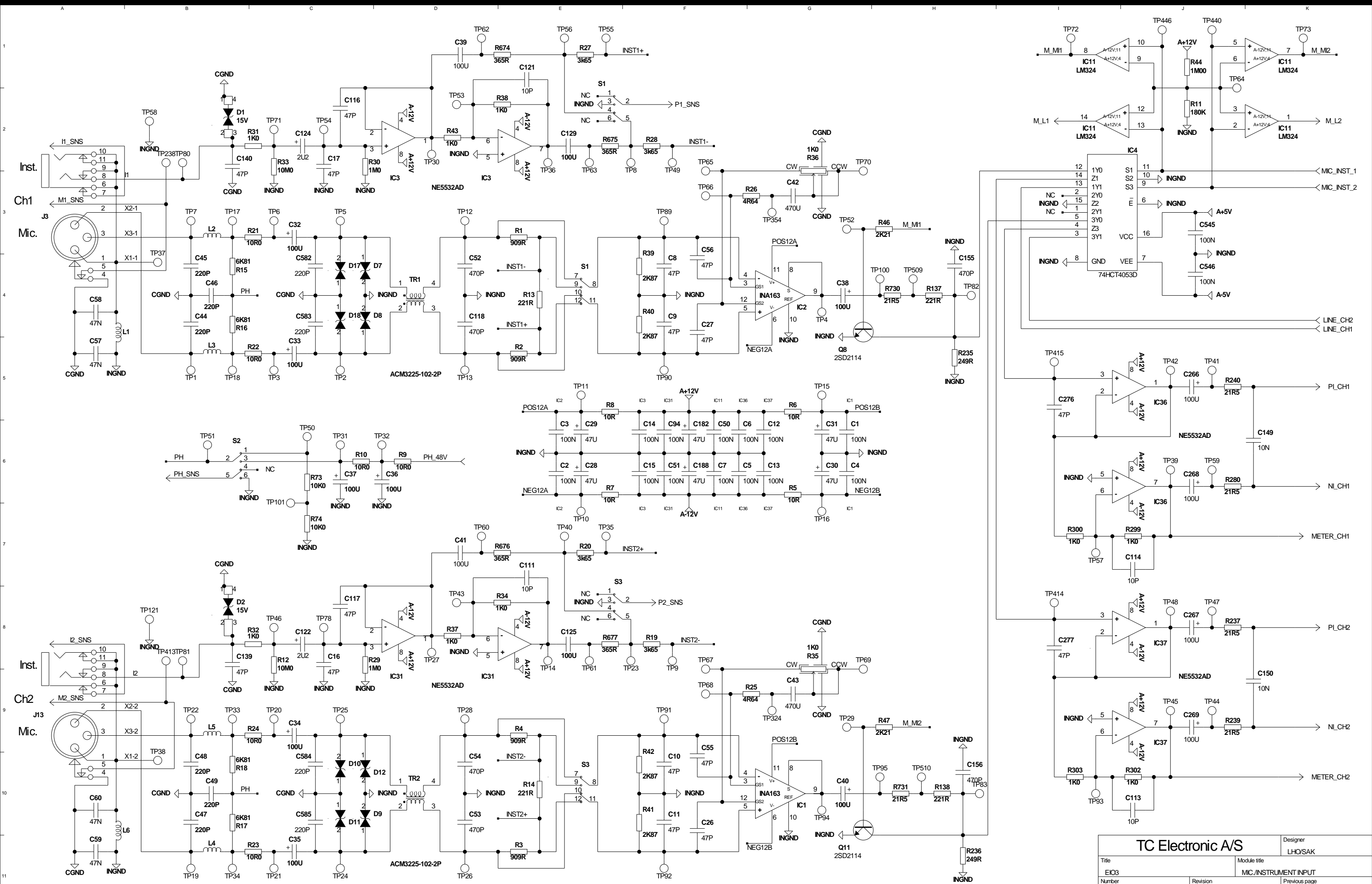
Title		Module title		Designer	
EIO3		UI		LHO/SAK	
Number	Revision	Filename	Page / of	Previous page	
P19331	EAA / EBA	UI	1	1	
Date	4-2-2008 11:14	Page / of	6 / 15		



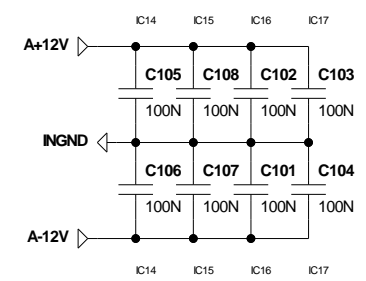
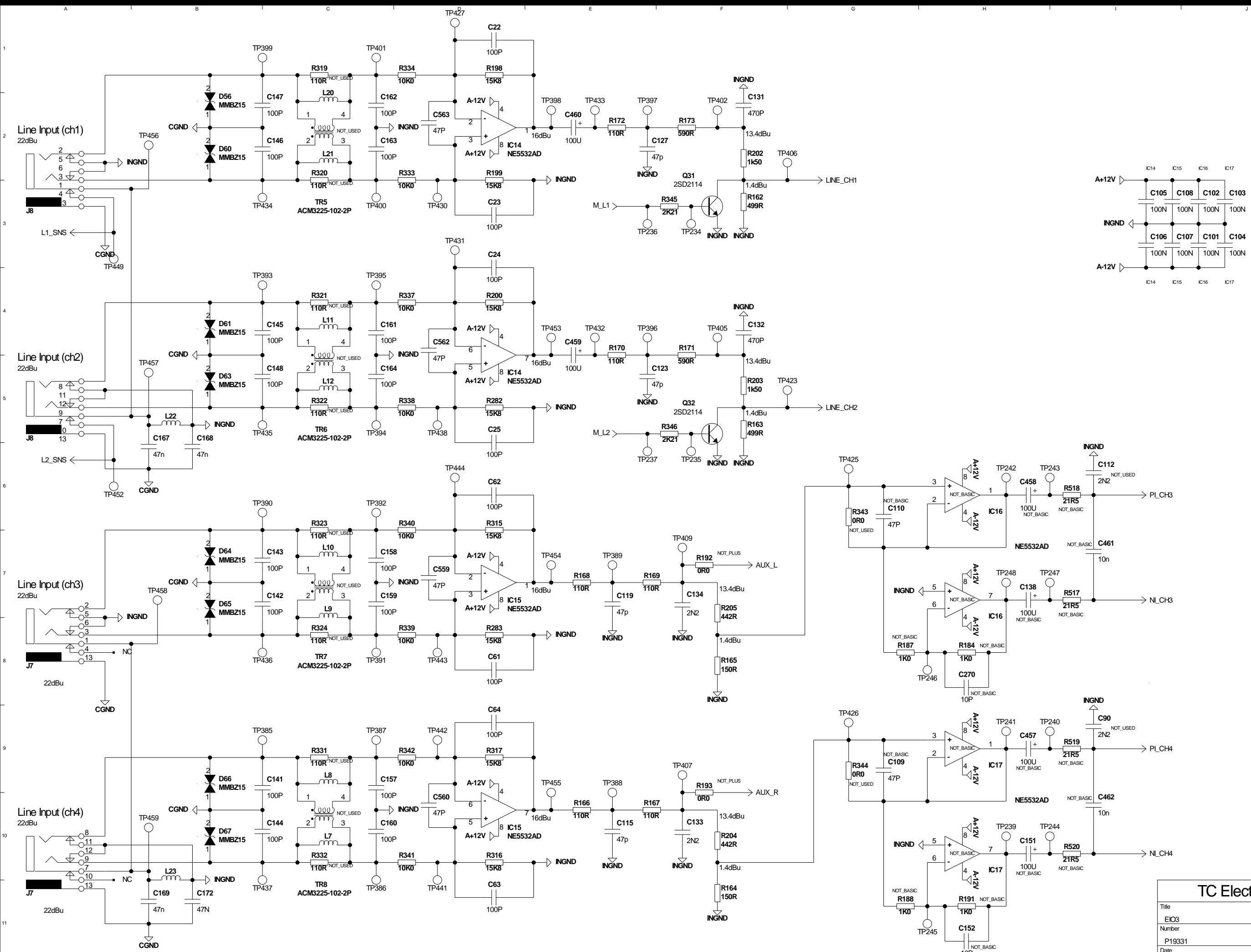
PC0-PC2	DEFAULT POWER CLASS
000	Node does not need power and does not repeat power.
001	Node is self-powered and provides a minimum of 15 W to the bus.
010	Node is self-powered and provides a minimum of 30 W to the bus.
011	Node is self-powered and provides a minimum of 45 W to the bus.
100	Node may be powered from the bus and is using up to 3 W. No additional power is needed to enable the link.
101	Reserved for future standardization.
110	Node is powered from the bus and is using up to 3 W. An additional 3 W is needed to enable the link.
111	Node is powered from the bus and is using up to 3 W. An additional 7 W is needed to enable the link.



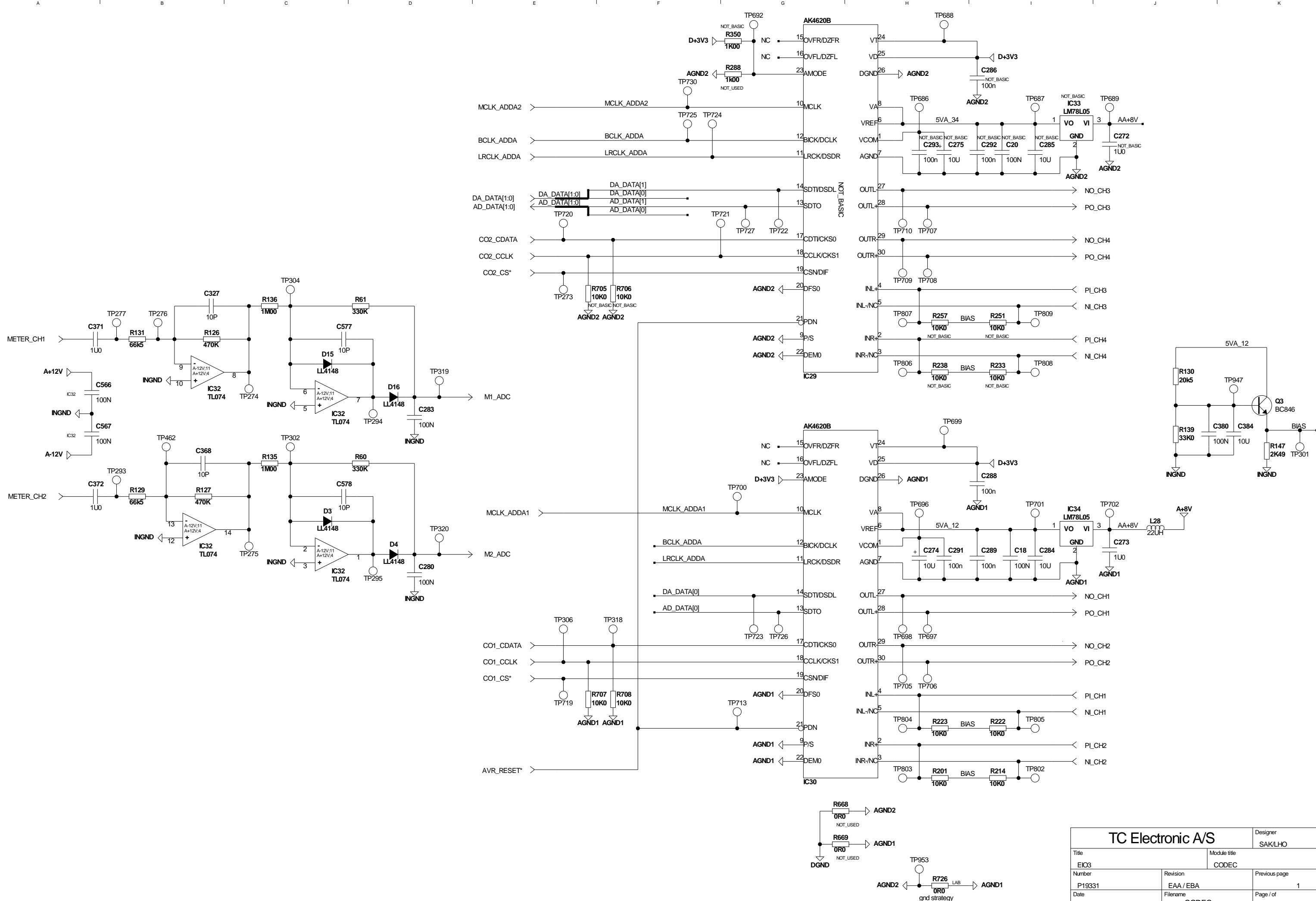
TC Electronic A/S		Designer LHOMFA/SAK
Title EIO3	Module title DIGITAL IN/OUT	
Number P19331	Revision EAA / EBA	Previous page 1
Date 4-2-2008 11:22	Filename DIGITAL_IN_OUT	Page / of 8 / 15



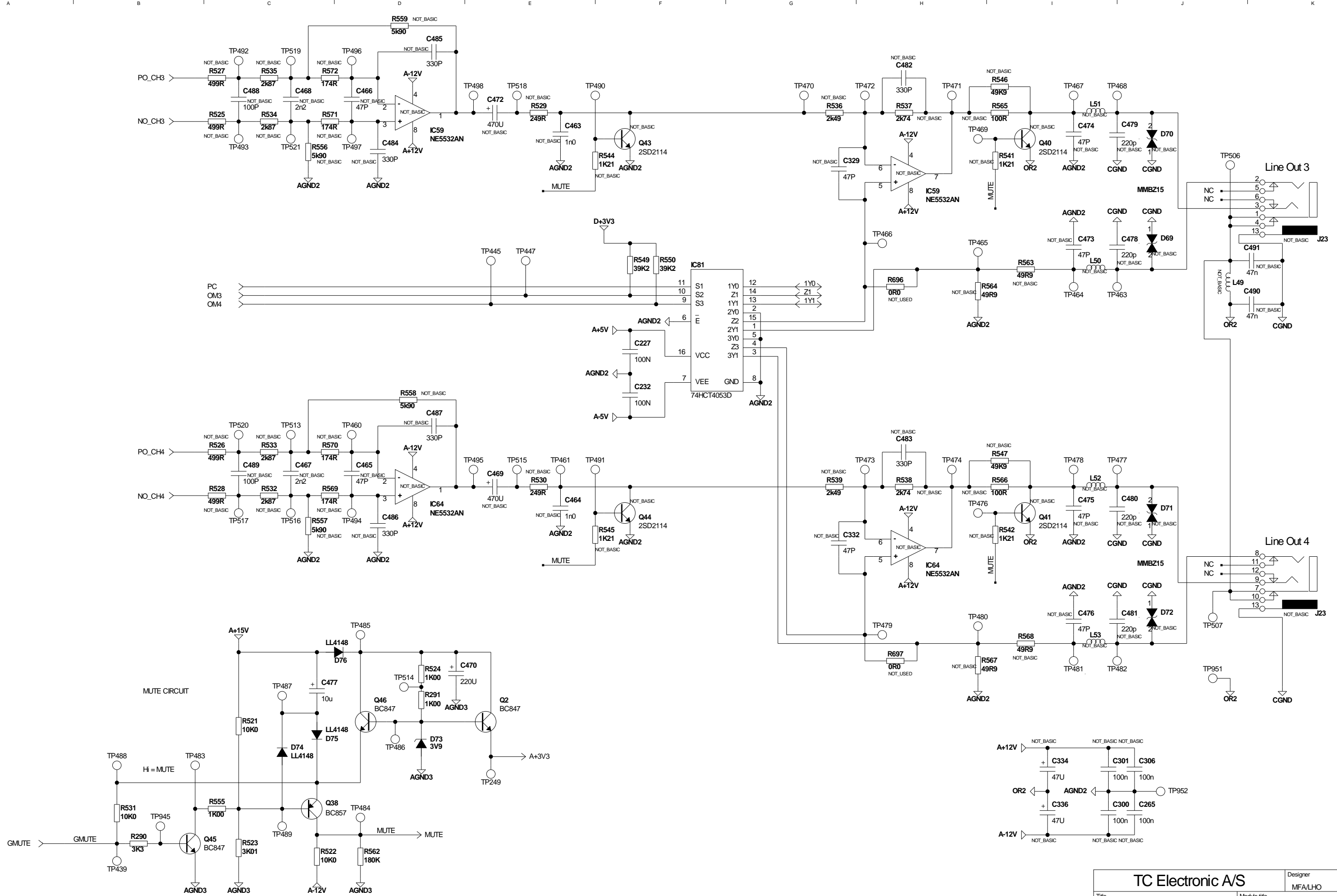
TC Electronic A/S		Designer	LHO/SAK
Title	EIO3	Module title	MIC/INSTRUMENT INPUT
Number	P19331	Revision	EAA / EBA
Date	4-2-2008_11:14	Filename	MIC_IN
		Page / of	1
		Page / of	9 / 15



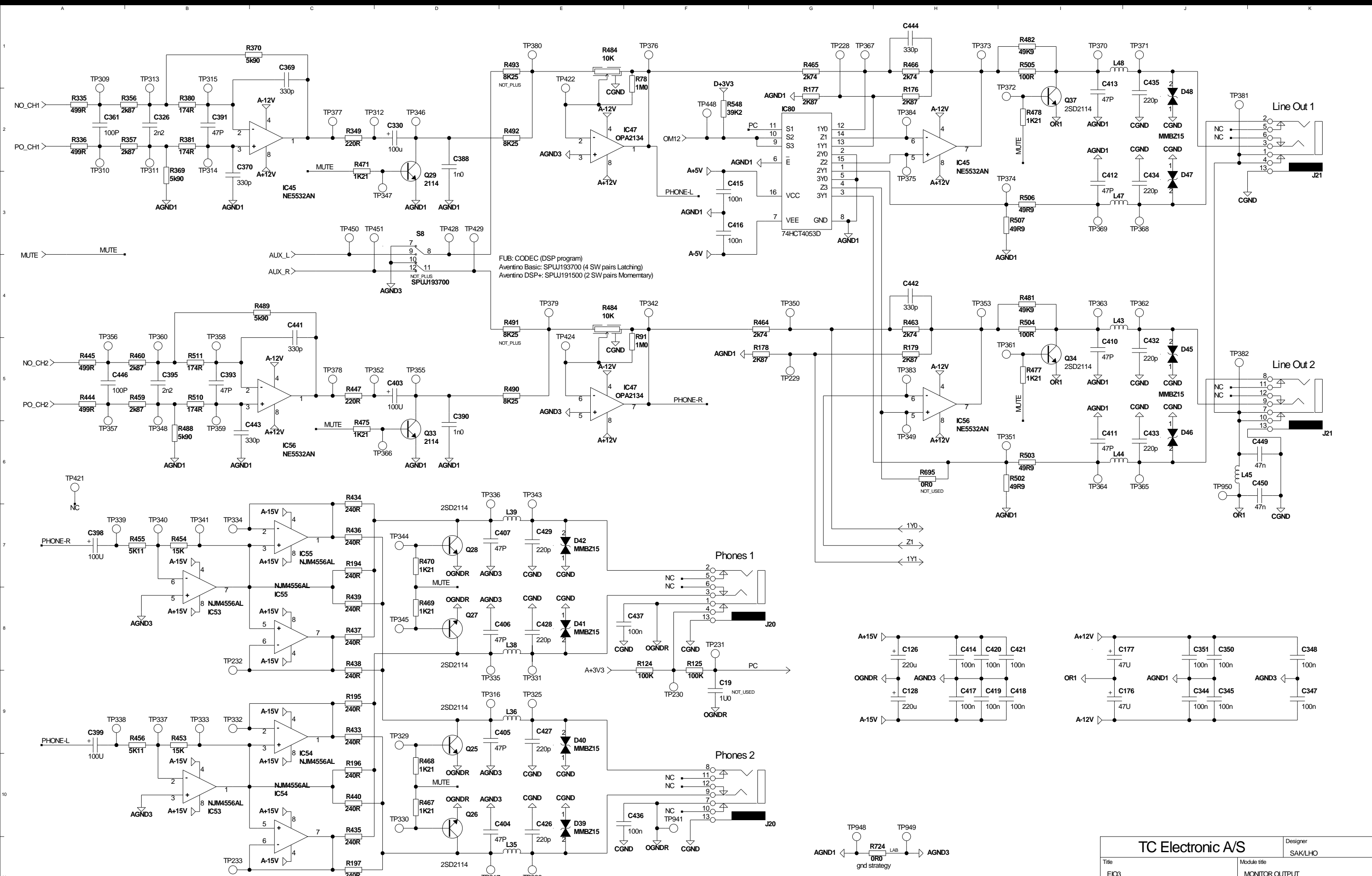
TC Electronic A/S		Designer	LHO/SAK
Title	EIO3	Module title	ANALOG INPUT (LINE IN)
Number	P19331	Revision	EAA / EBA
Date	4-2-2008_11:15	Filename	ANALOG_IN
		Page / of	1 / 15



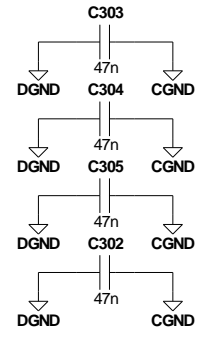
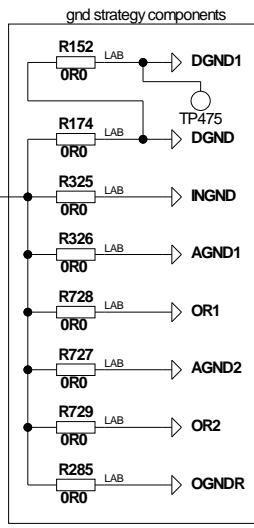
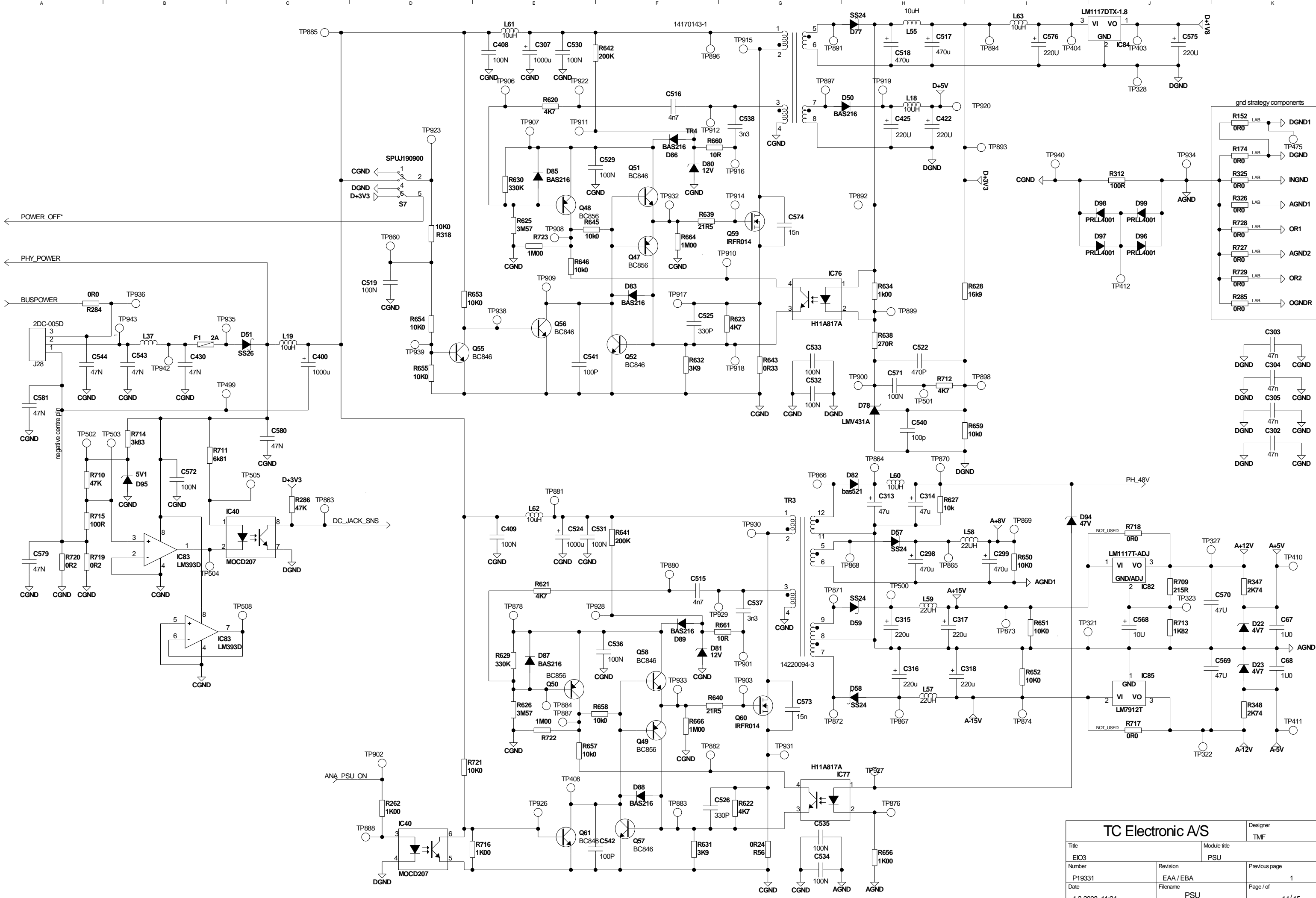
TC Electronic A/S		Designer SAK/LHO
Title EIO3	Module title CODEC	
Number P19331	Revision EAA / EBA	Previous page 1
Date 4-2-2008_11:23	Filename CODEC	Page / of 11 / 15



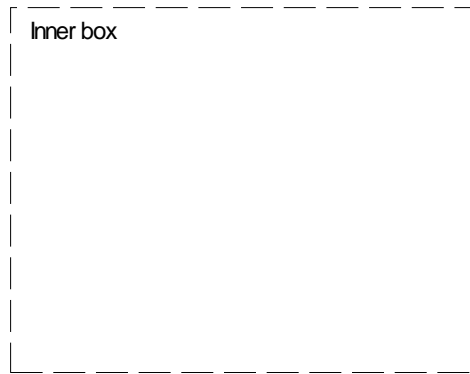
TC Electronic A/S		Designer	MFA/LHO
Title	EIO3	Module title	LINE_OUT
Number	P19331	Revision	EAA / EBA
Date	4-2-2008 11:22	Filename	LINE_OUT
		Previous page	1
		Page / of	12 / 15



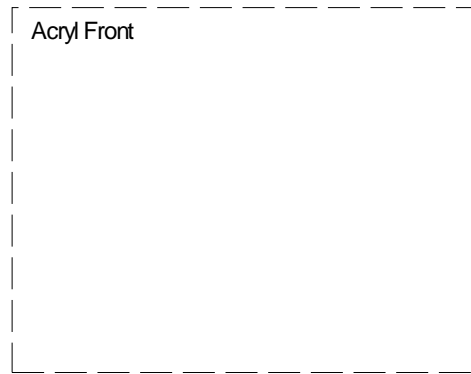
TC Electronic A/S		Designer SAKLHO
Title EIO3	Module title MONITOR OUTPUT	
Number P19331	Revision EAA / EBA	Previous page 1
Date 4-2-2008_11:15	Filename MONITOR_OUT	Page / of 13 / 15



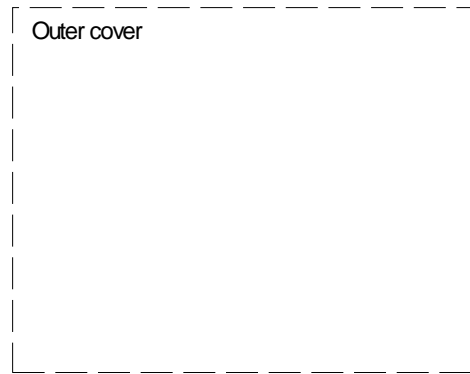
TC Electronic A/S		Designer	TMF
Title	EIO3	Module title	PSU
Number	P19331	Revision	EAA / EBA
Date	4-2-2008 11:24	Filename	PSU
		Previous page	1
		Page / of	14 / 15



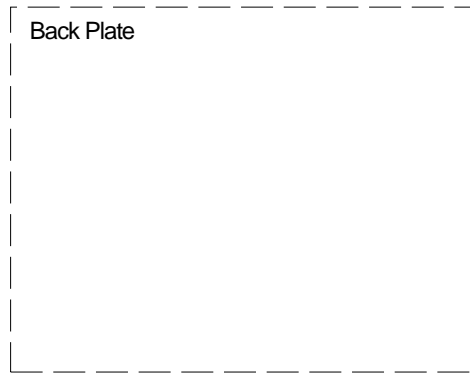
Inner box



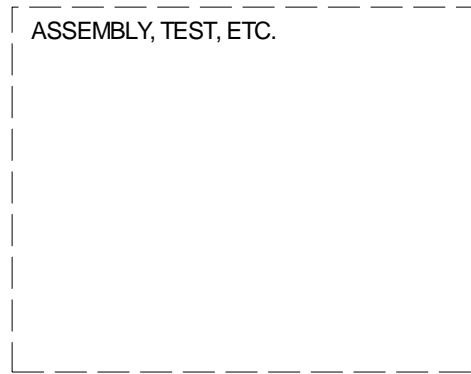
Acryl Front



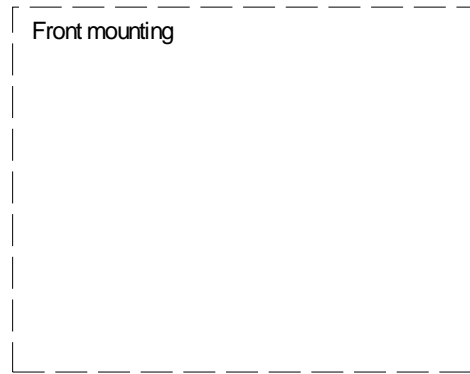
Outer cover



Back Plate



ASSEMBLY, TEST, ETC.



Front mounting

TC Electronic A/S		Designer LHO
Title EIO3	Module title MECHANICAL	
Number P19331	Revision EAA / EBA	Previous page 1
Date 4-2-2008 11:14	Filename MECHANICAL	Page / of 15 / 15