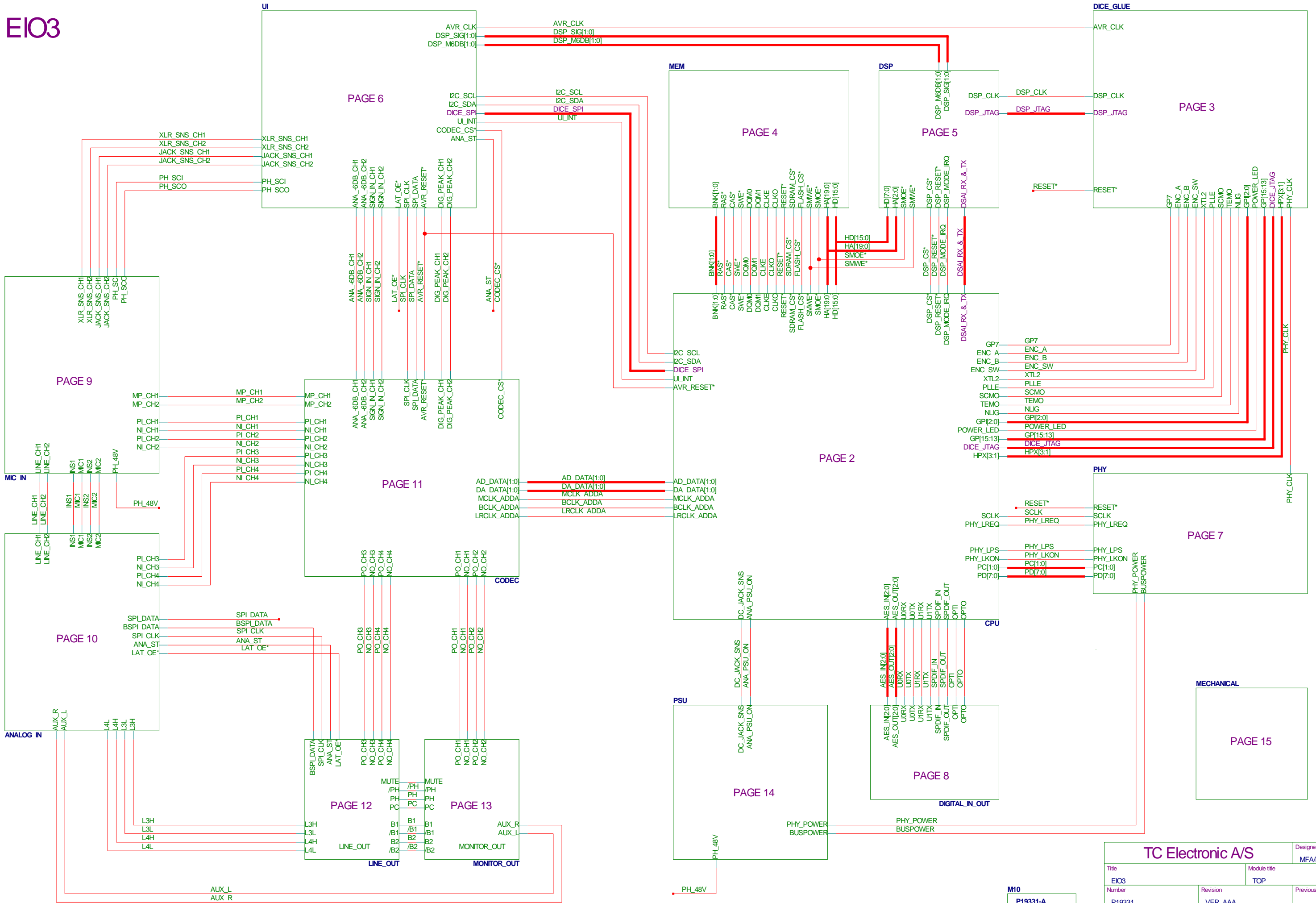
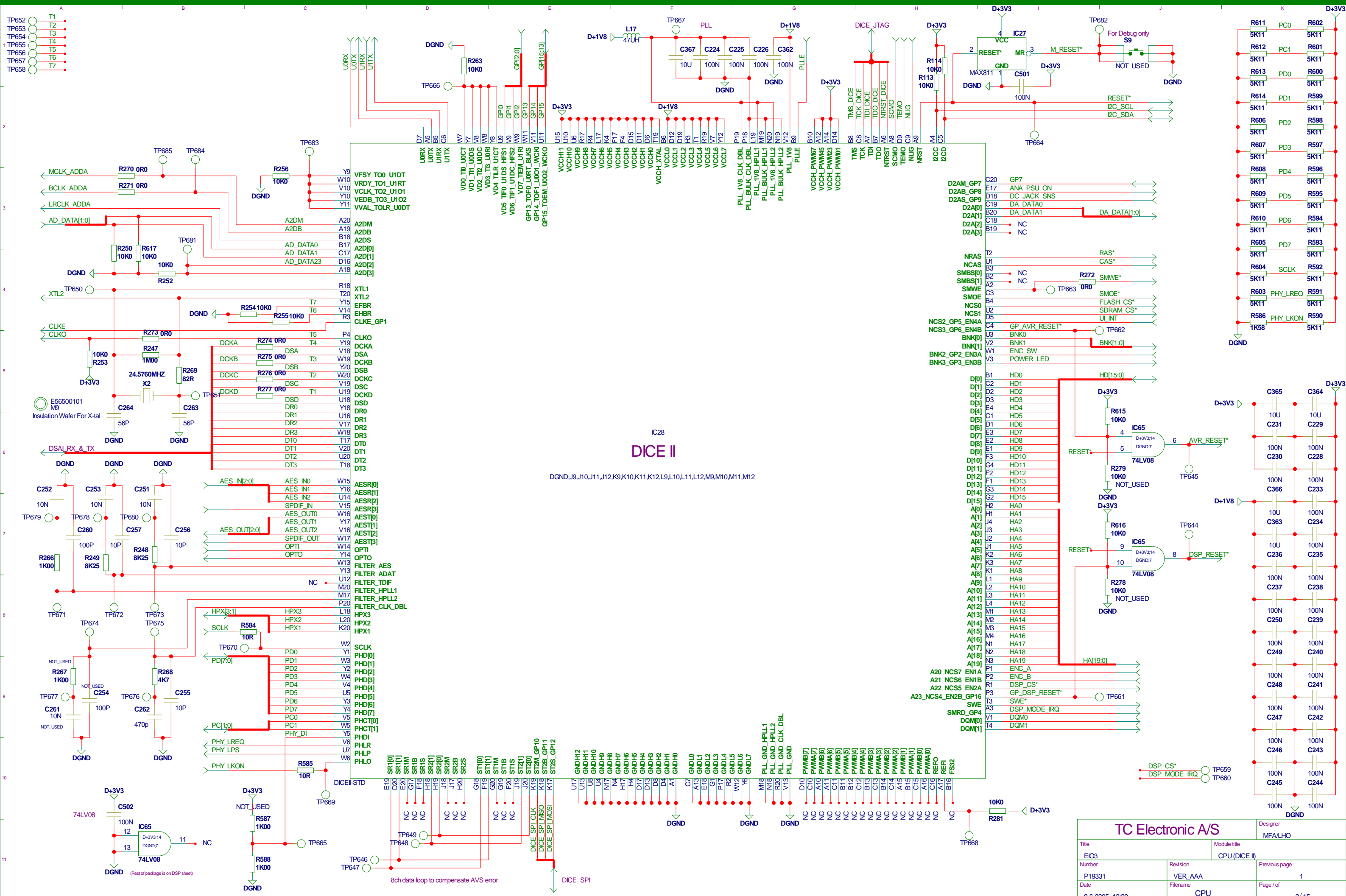


EIO3



TC Electronic A/S		Designer
EIO3		MFA/LHO
Module title		
TOP		
Number	Revision	Previous page
P19331	VER_AAA	NONE
Date	Filename	Page / of
9-13-2005 16:02	P19331-AAA	1 / 15

M10
P19331-A

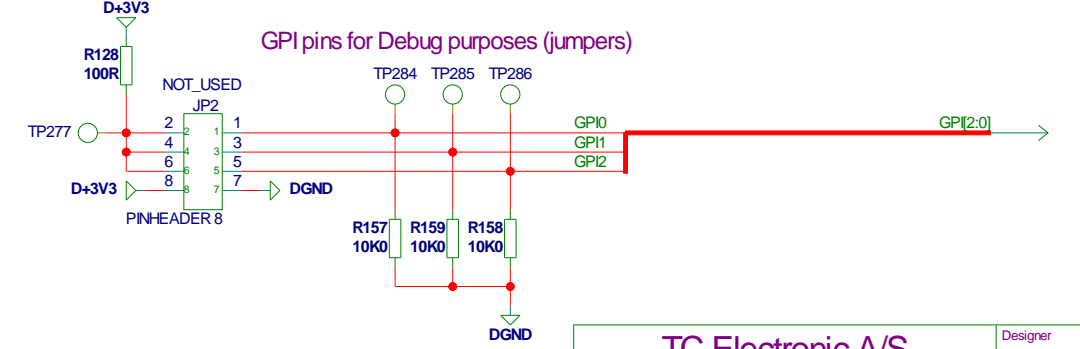
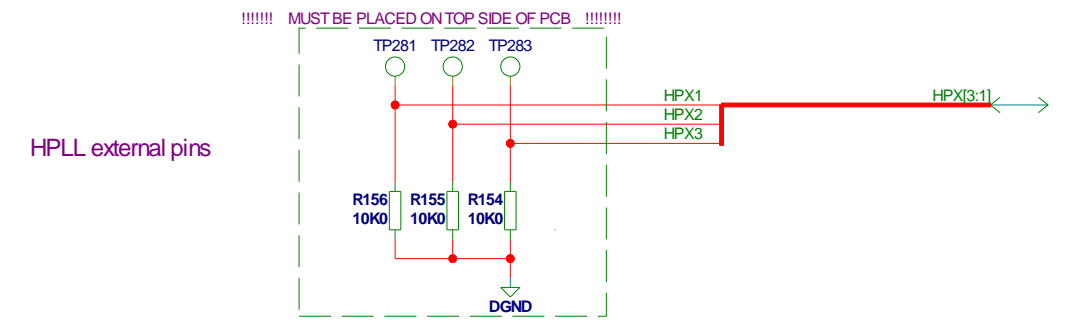
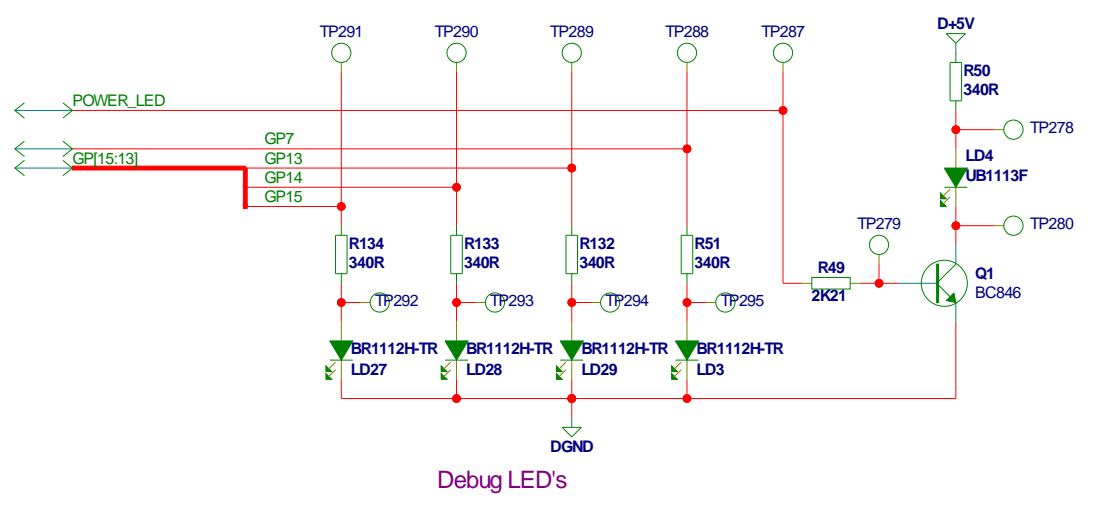
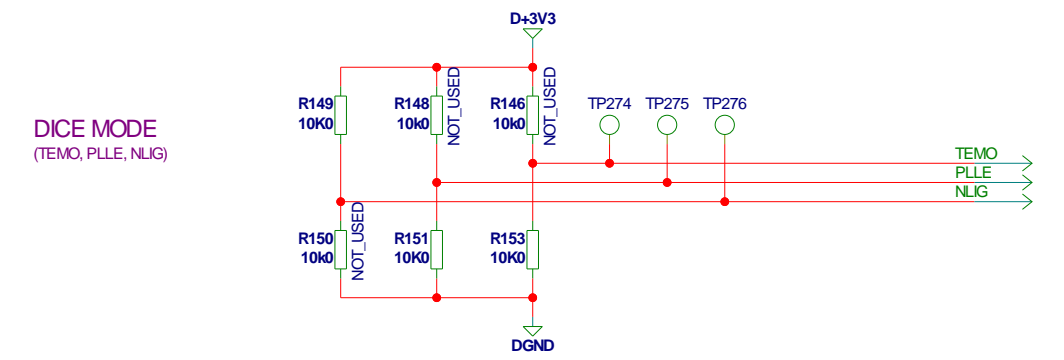
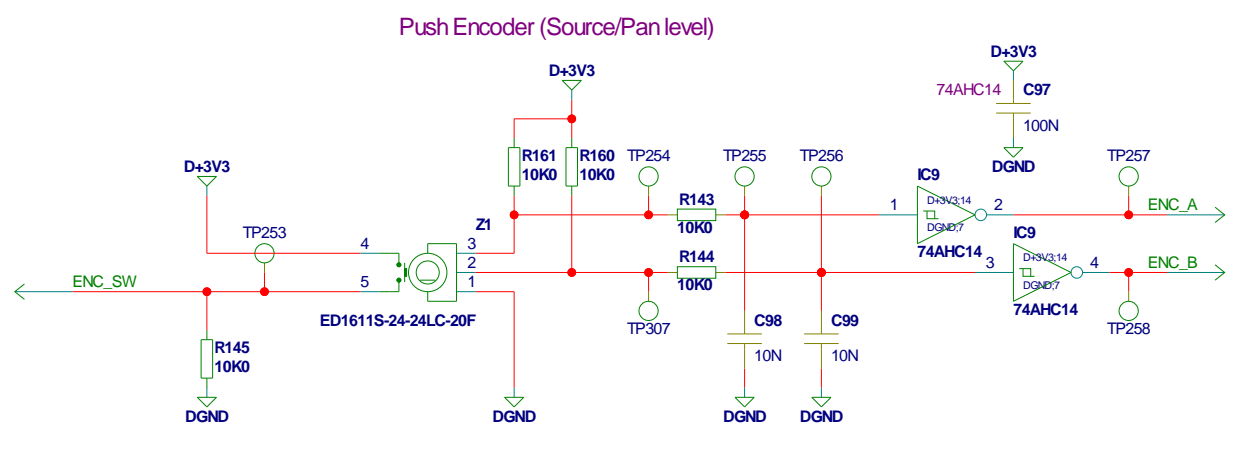
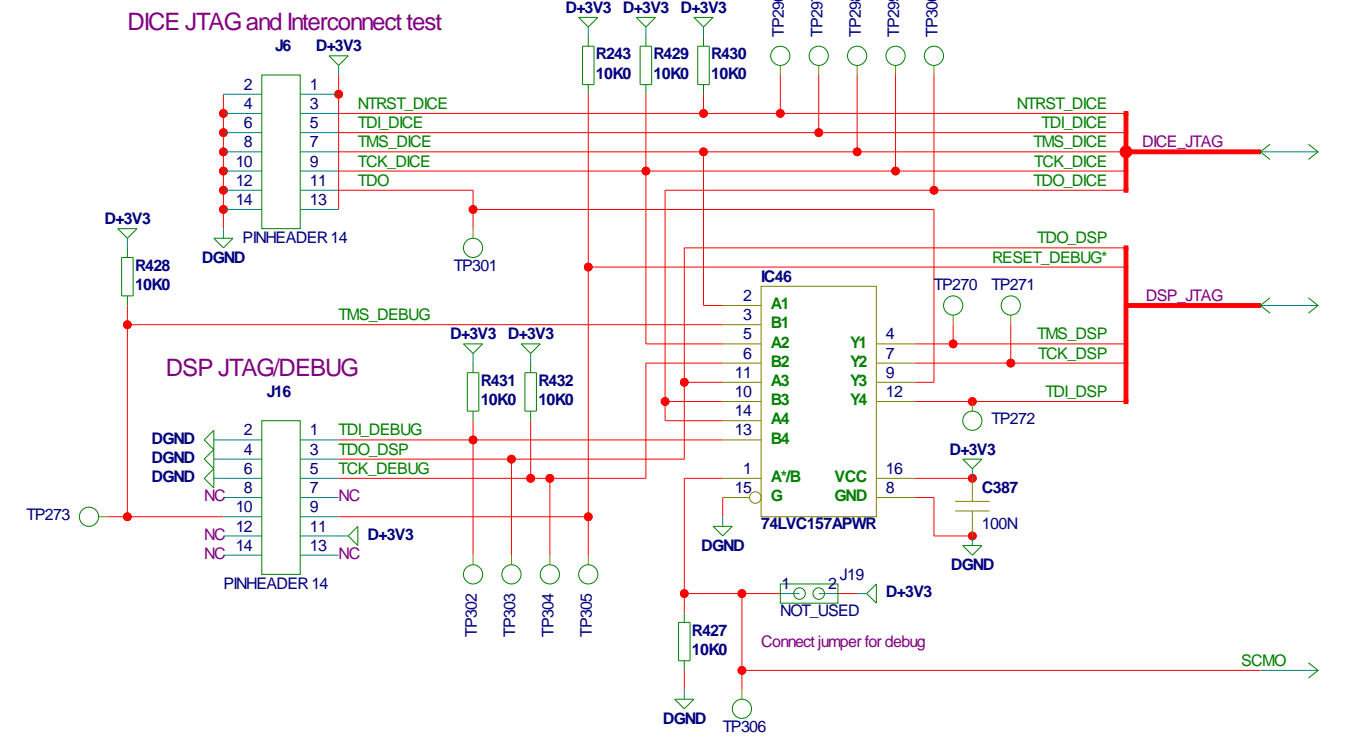
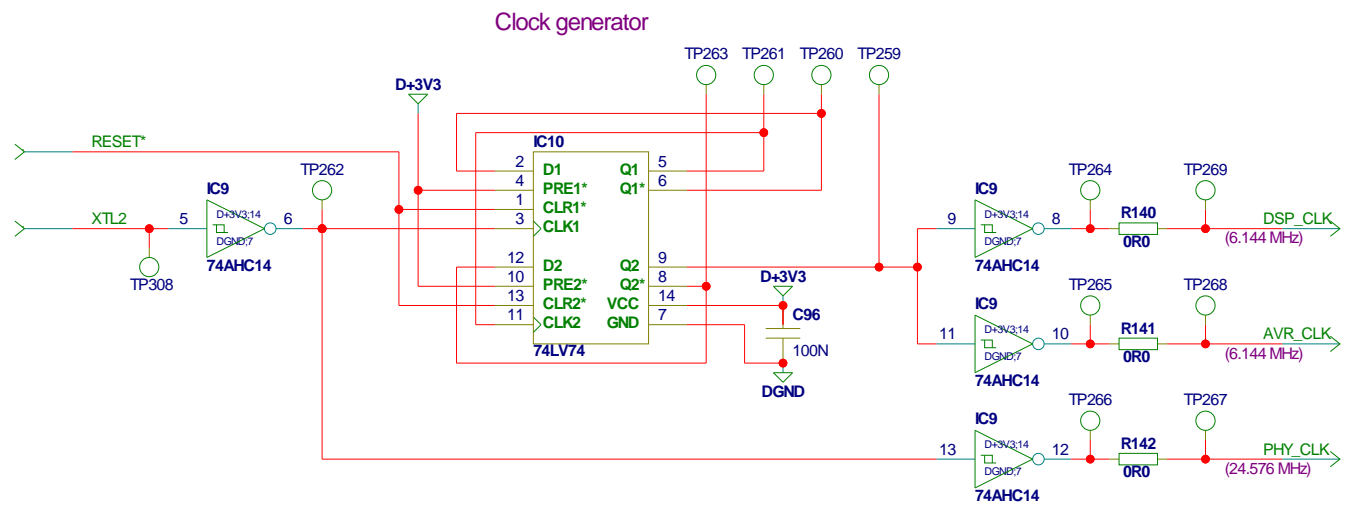


IC28
DICE II
 DGND;J9,J10,J11,J12,K9,K10,K11,K12,L9,L10,L11,L12,M9,M10,M11,M12

8ch data loop to compensate AVS error

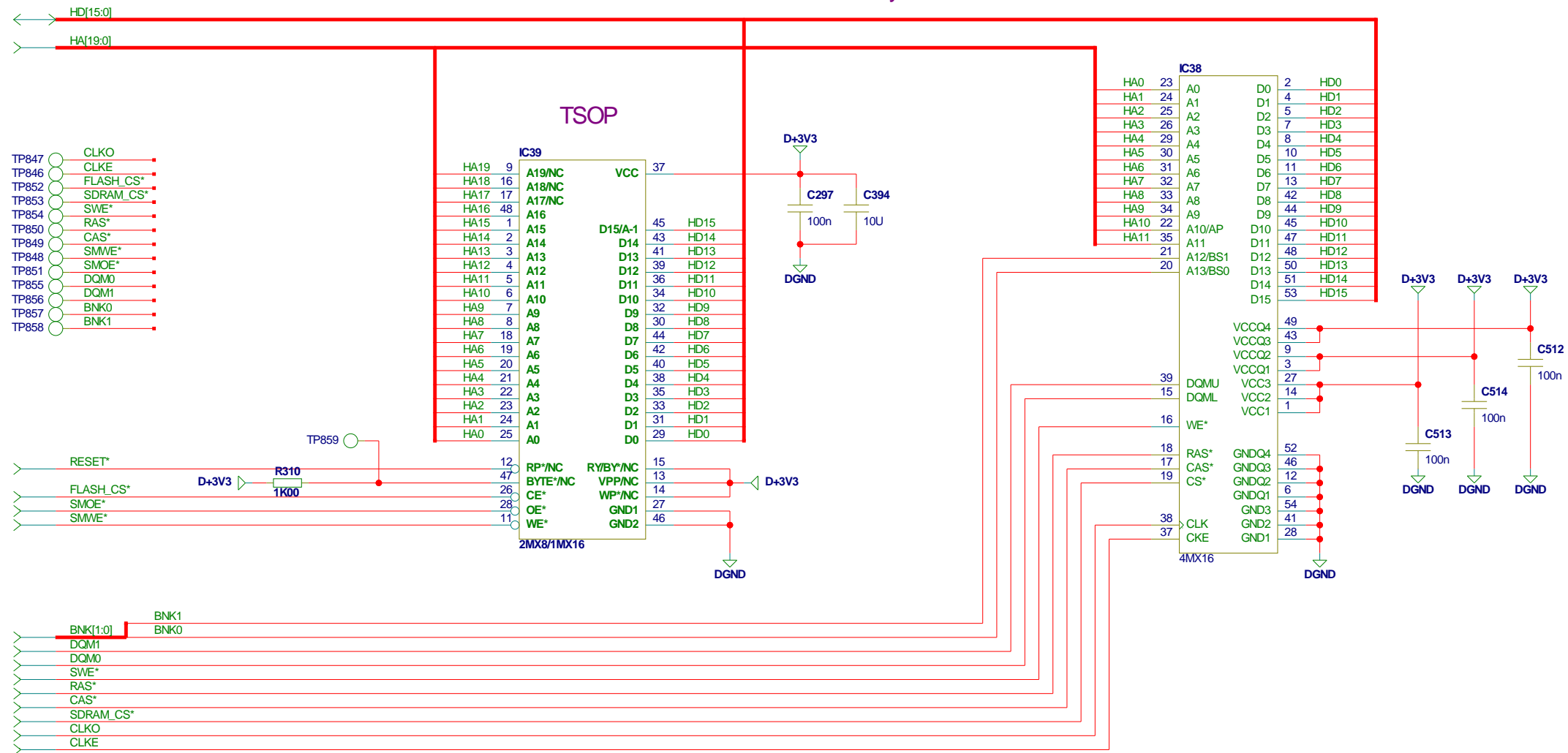
DICE_SPI

TC Electronic A/S		Designer	MFA/LHO
Title	EIO3	Module title	CPU (DICE II)
Number	P19331	Revision	VER_AAA
Date	9-6-2005 12:29	Filename	CPU
		Previous page	1
		Page / of	2 / 15



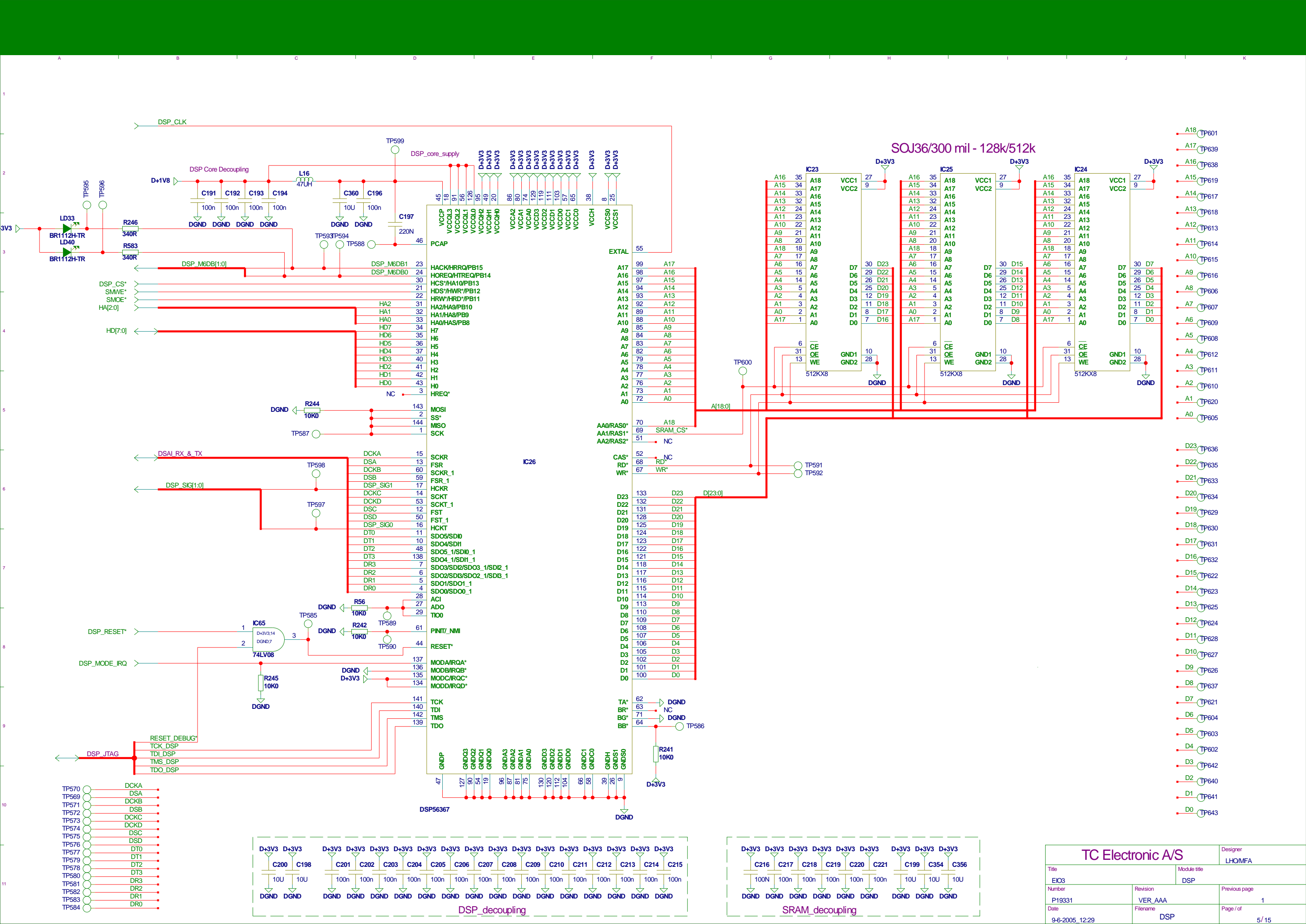
TC Electronic A/S		Designer	MFA
Title	EIO3	Module title	DICE_GLUE
Number	P19331	Revision	VER_AAA
Date	9-13-2005 12:32	Filename	DICE_GLUE
		Previous page	1
		Page / of	3 / 15

Host Memory



- TP835 HD0
- TP834 HD1
- TP836 HD2
- TP842 HD3
- TP837 HD4
- TP838 HD5
- TP839 HD6
- TP841 HD7
- TP840 HD8
- TP830 HD9
- TP829 HD10
- TP831 HD11
- TP832 HD12
- TP843 HD13
- TP844 HD14
- TP833 HD15

- TP819 HA0
- TP818 HA1
- TP820 HA2
- TP826 HA3
- TP821 HA4
- TP822 HA5
- TP823 HA6
- TP825 HA7
- TP824 HA8
- TP814 HA9
- TP813 HA10
- TP815 HA11
- TP816 HA12
- TP827 HA13
- TP828 HA14
- TP817 HA15
- TP810 HA16
- TP811 HA17
- TP812 HA18
- TP845 HA19



SOJ36/300 mil - 128k/512k

DSP56367

DSP_decoupling

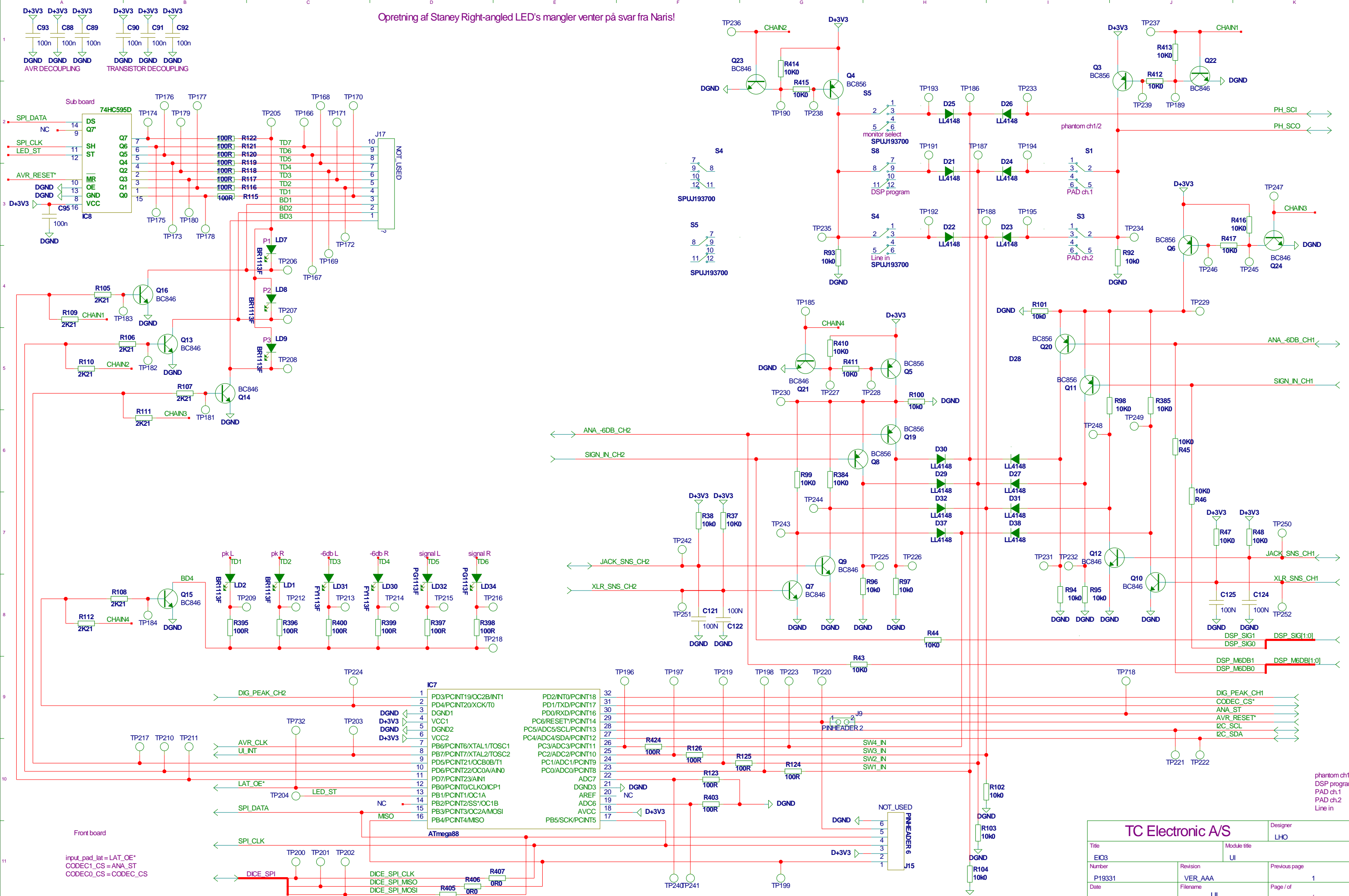
SRAM_decoupling

TC Electronic A/S

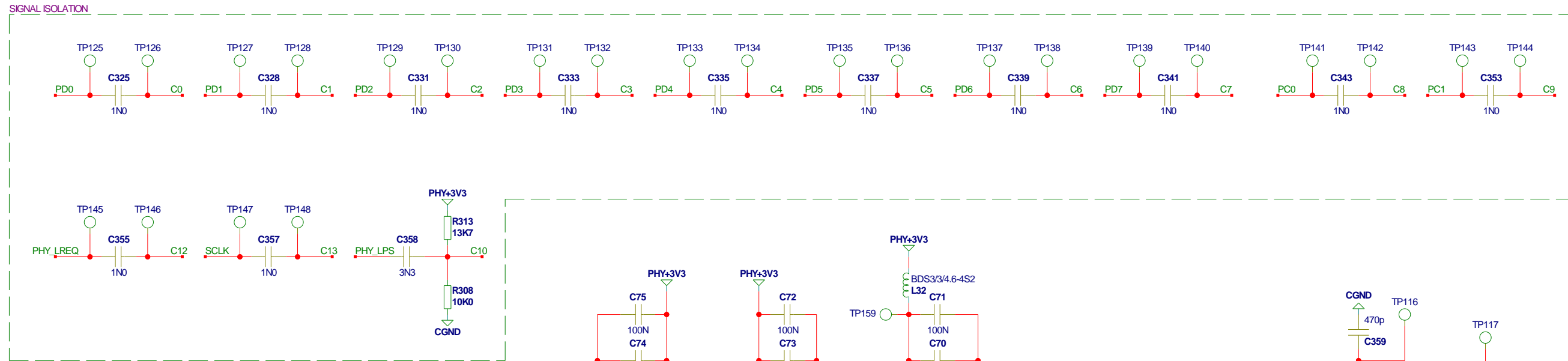
Title		Module title	
EIO3		DSP	
Number	Revision	Previous page	
P19331	VER_AAA	1	
Date	Filename	Page / of	
9-6-2005 12:29	DSP	5 / 15	

Designer
LHOMFA

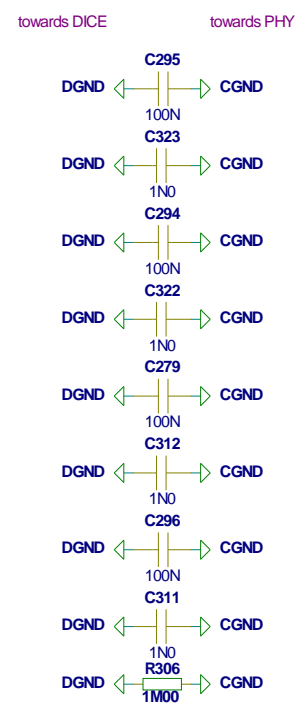
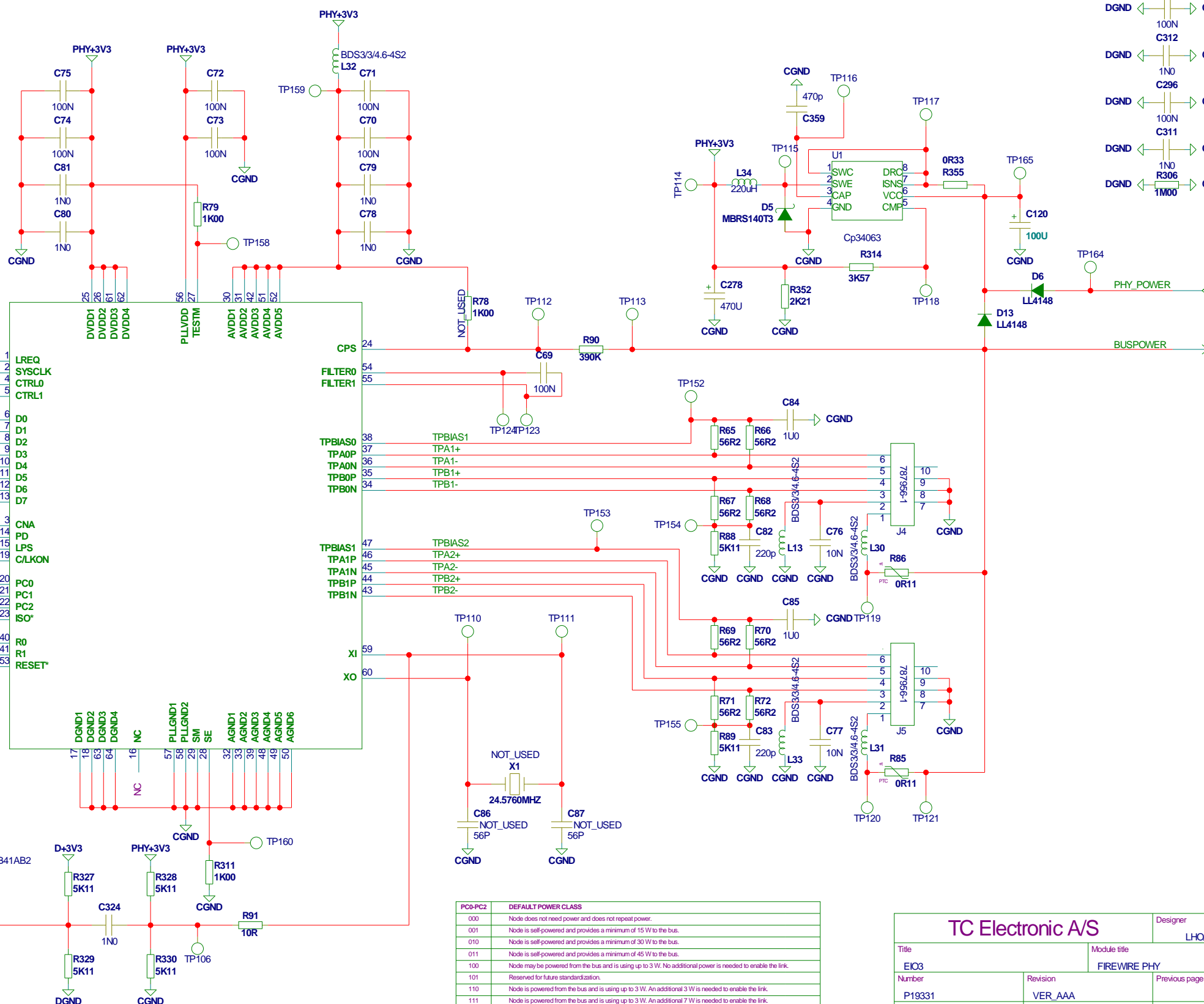
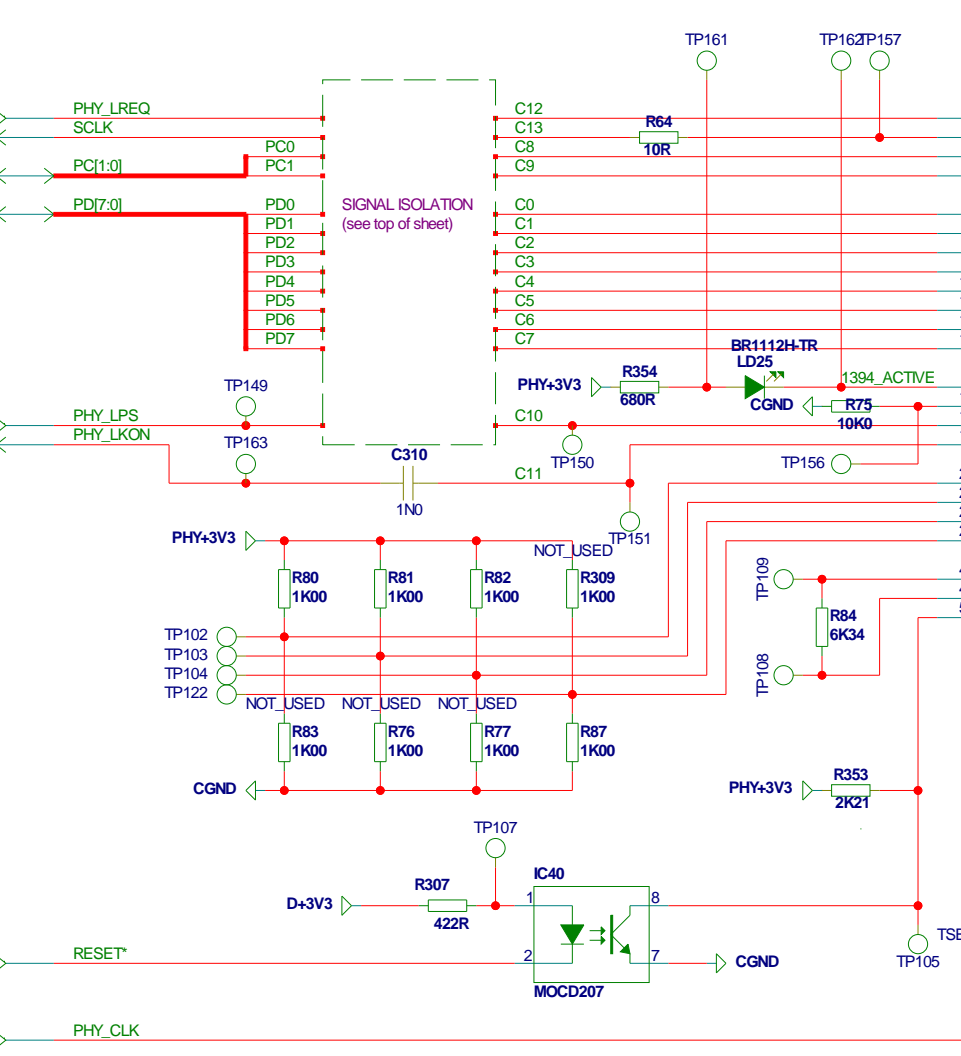
Opreting af Staney Right-angled LED's mangler venter på svar fra Naris!



TC Electronic A/S		Designer	LHO
Title	EIO3	Module title	UI
Number	P19331	Revision	VER_AAA
Date	9-13-2005 12:14	Filename	UI
		Previous page	1
		Page / of	6 / 15

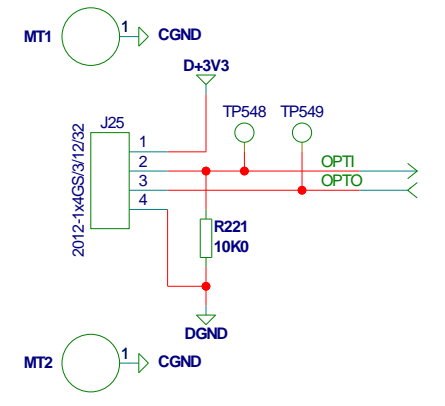
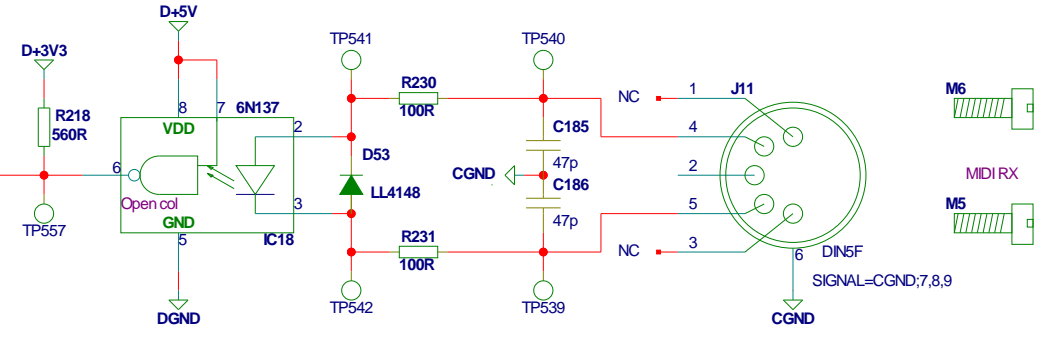
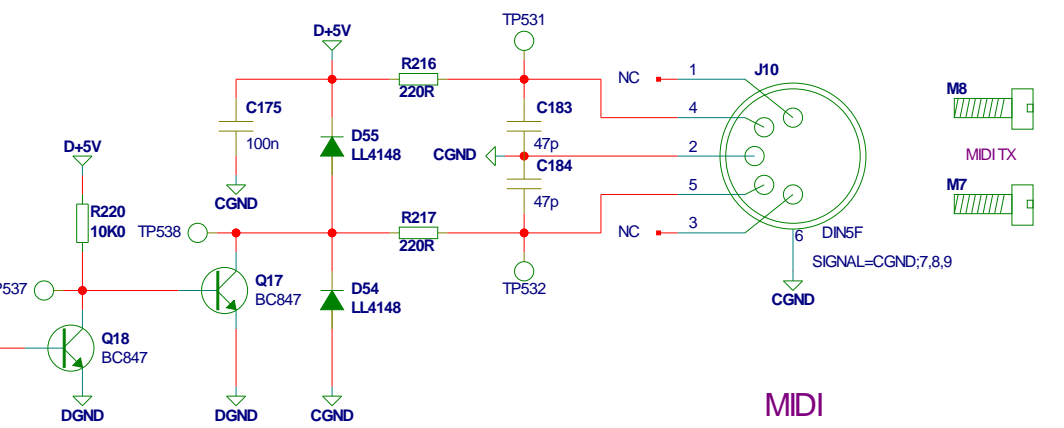
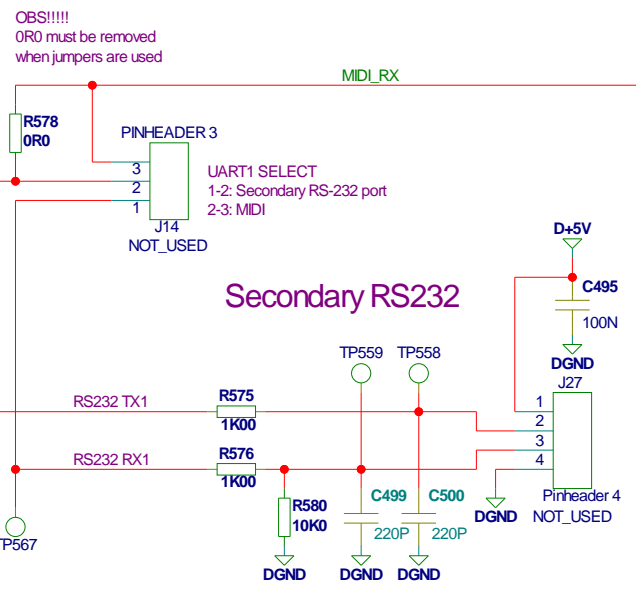
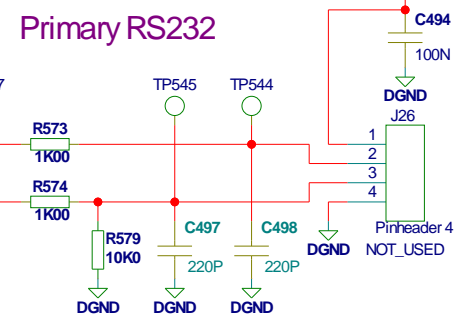
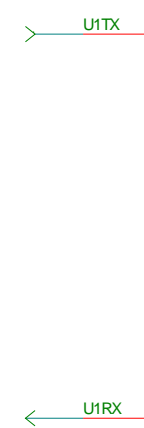
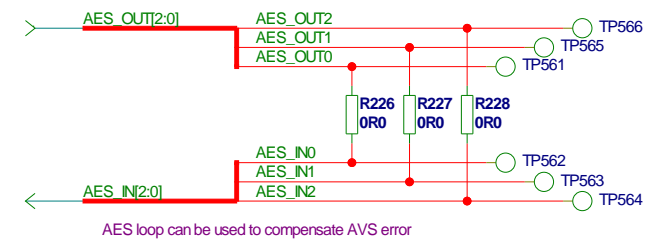
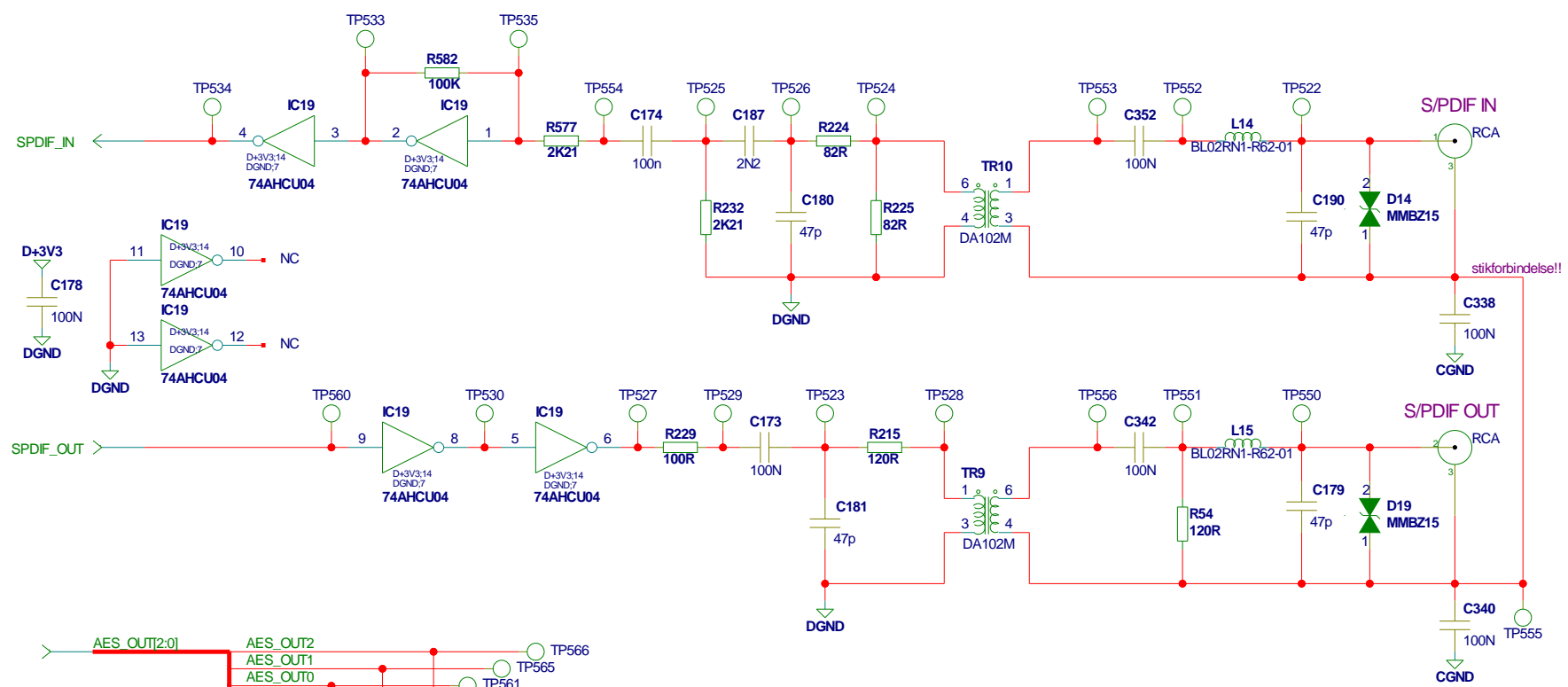


NB! - KR + WaveFront leverer data om diode og res. på PHY & DICE-siden er nødvendig
 TP'er på C0 - C13 frarådes pga. udstråling!

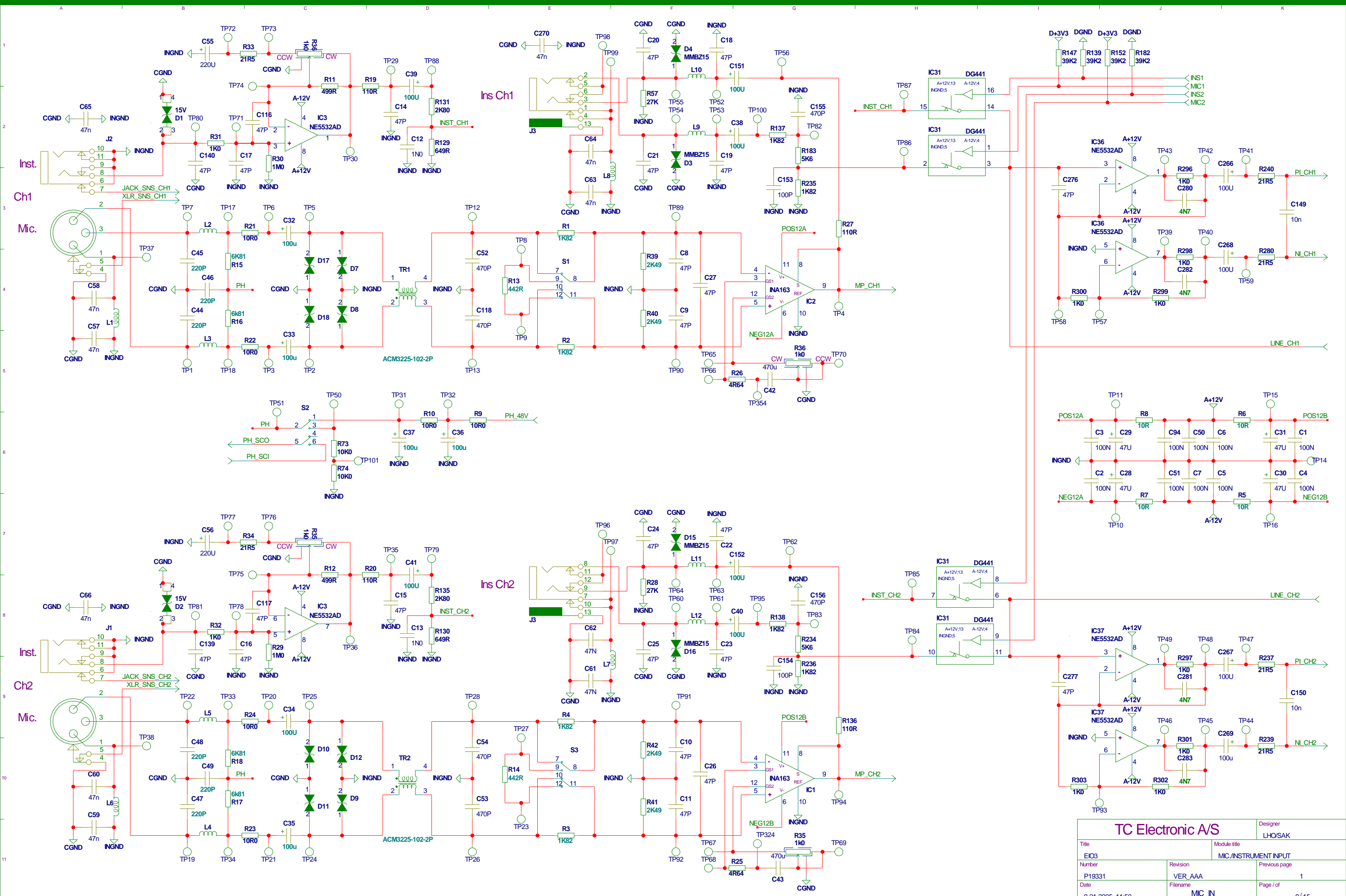


PC0-PC2	DEFAULT POWER CLASS
000	Node does not need power and does not repeat power.
001	Node is self-powered and provides a minimum of 15 W to the bus.
010	Node is self-powered and provides a minimum of 30 W to the bus.
011	Node is self-powered and provides a minimum of 45 W to the bus.
100	Node may be powered from the bus and is using up to 3 W. No additional power is needed to enable the link.
101	Reserved for future standardization.
110	Node is powered from the bus and is using up to 3 W. An additional 3 W is needed to enable the link.
111	Node is powered from the bus and is using up to 3 W. An additional 7 W is needed to enable the link.

TC Electronic A/S		Designer
		LHOMFA
Title	Module title	
EIO3	FIREWIRE PHY	
Number	Revision	Previous page
P19331	VER_AAA	1
Date	Filename	Page / of
9-12-2005_11:22	PHY	7 / 15

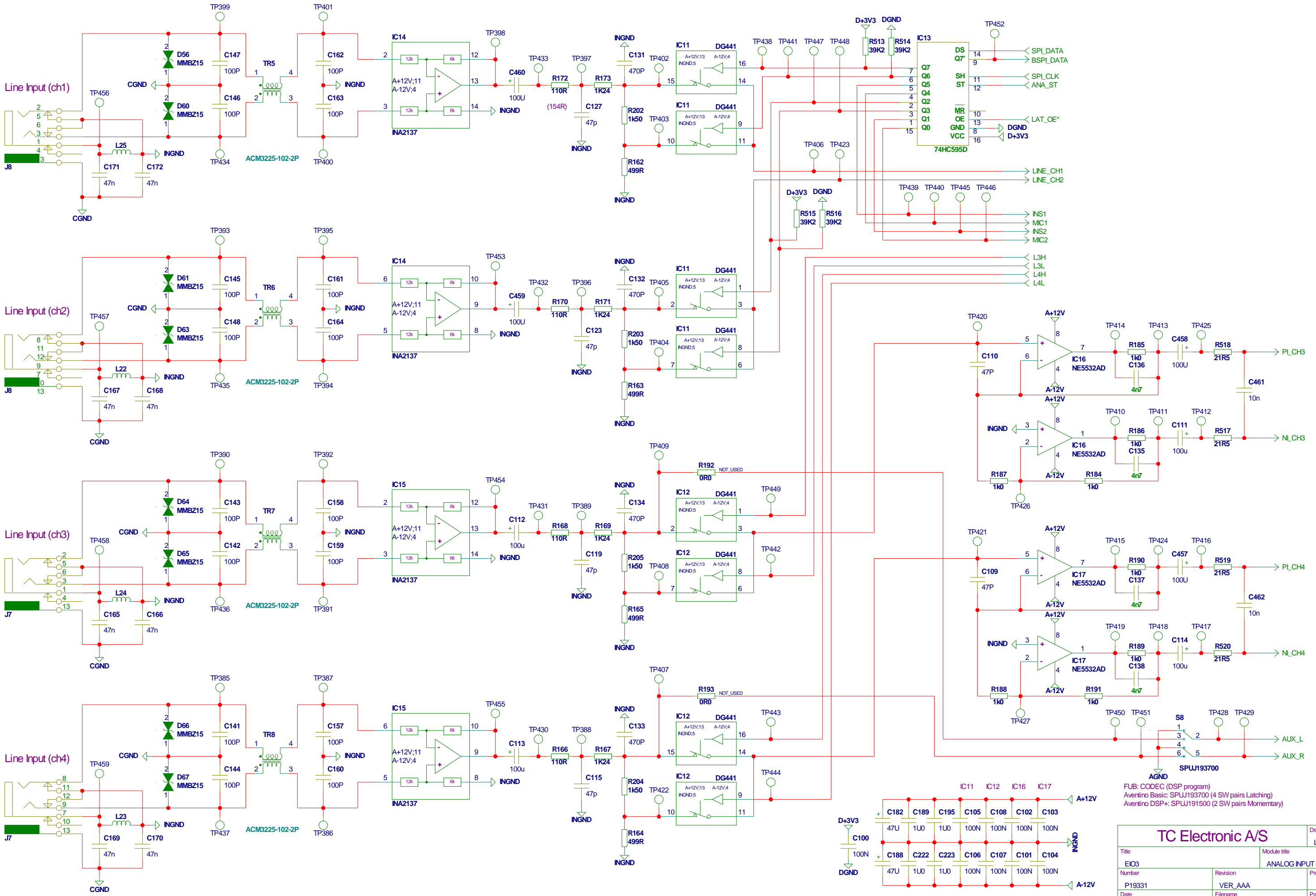


TC Electronic A/S		Designer	LHOMFA
Title	EIO3	Module title	DIGITAL IN/OUT
Number	P19331	Revision	VER_AAA
Date	9-12-2005 11:04	Filename	DIGITAL_IN_OUT
		Previous page	1
		Page / of	8 / 15



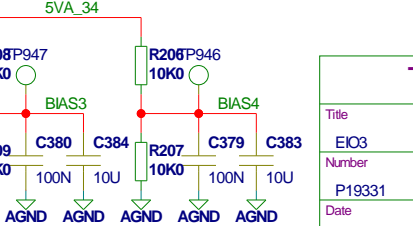
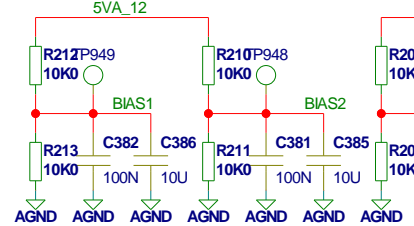
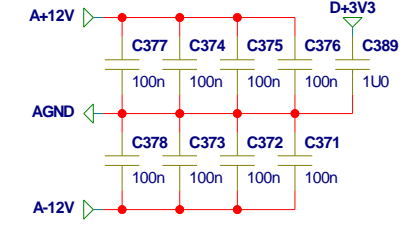
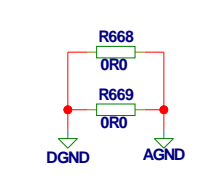
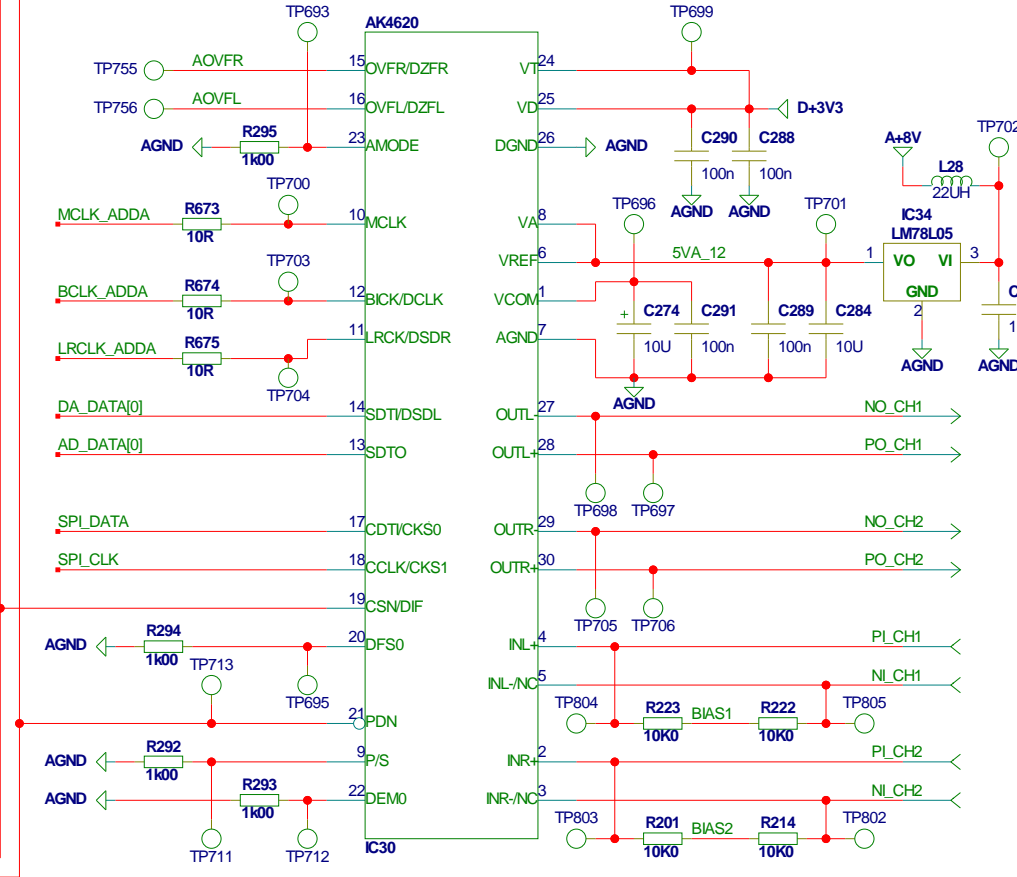
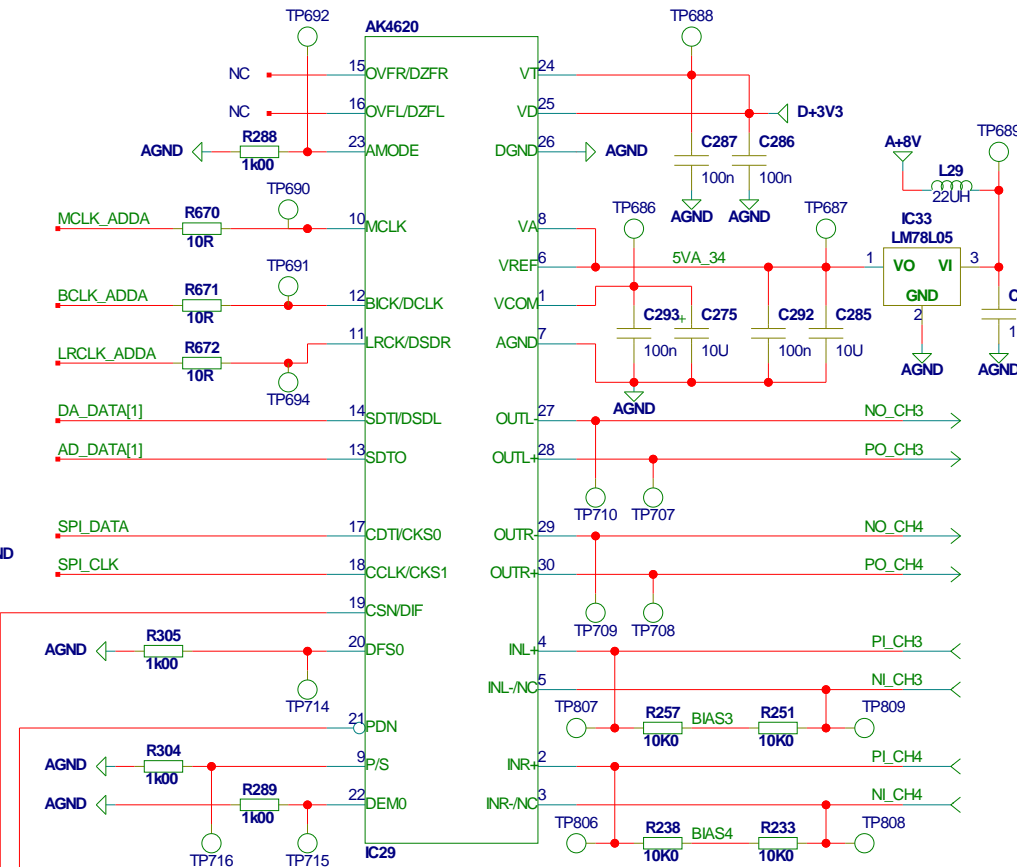
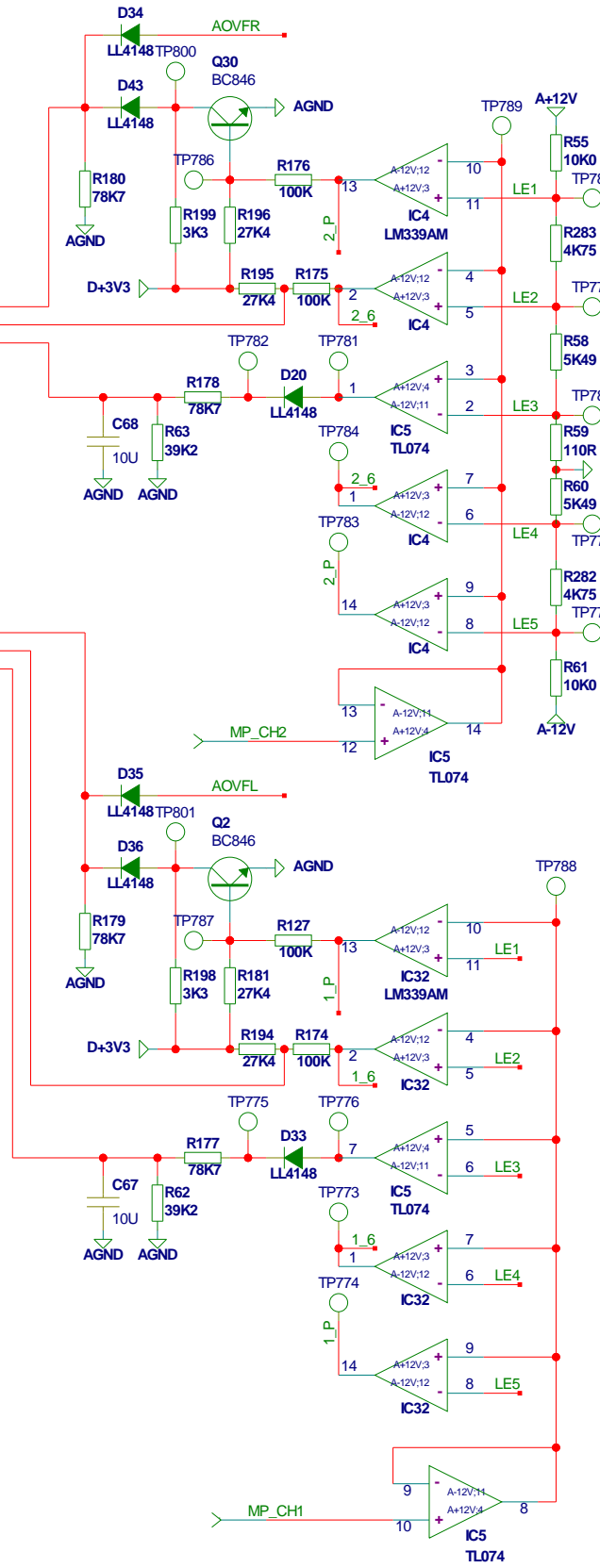
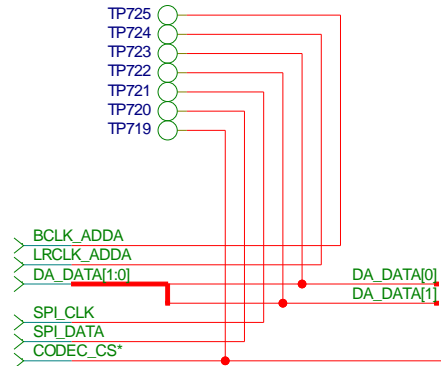
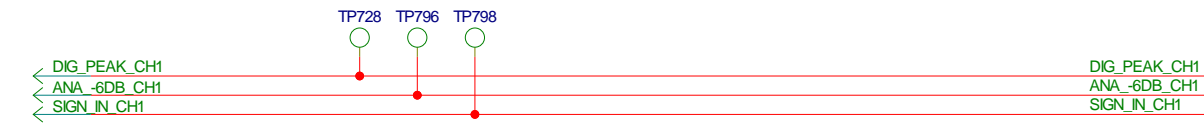
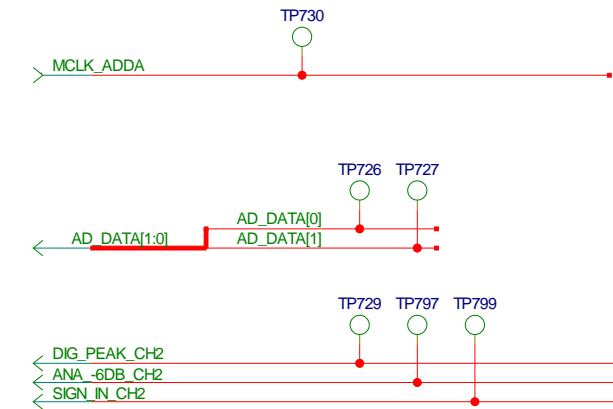
TC Electronic A/S		Designer	LHO/SAK
Title	EIO3	Module title	MIC/INSTRUMENT INPUT
Number	P19331	Revision	VER_AAA
Date	9-21-2005 11:50	Filename	MIC_IN
		Page / of	1
		Page / of	9 / 15

+4dBu/-10dBV (12dB range) Line Sensitivity

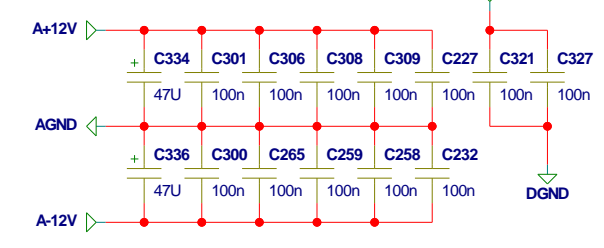
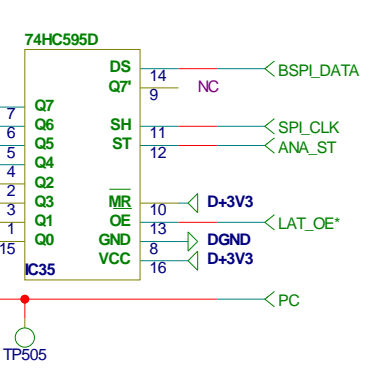
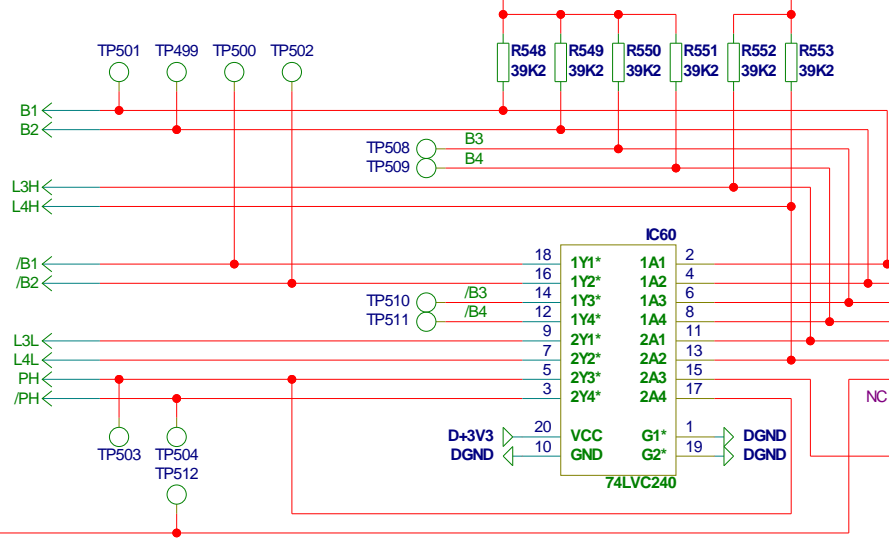
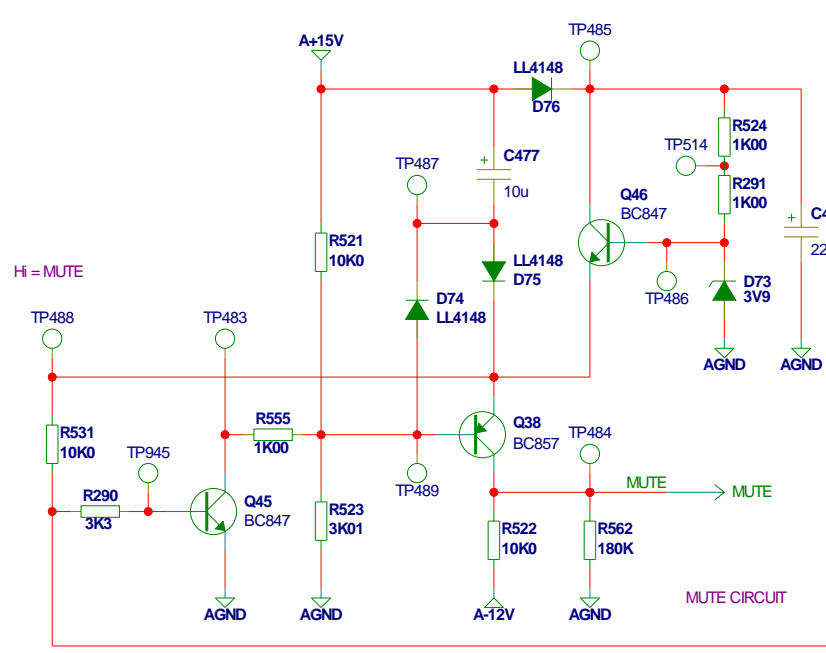
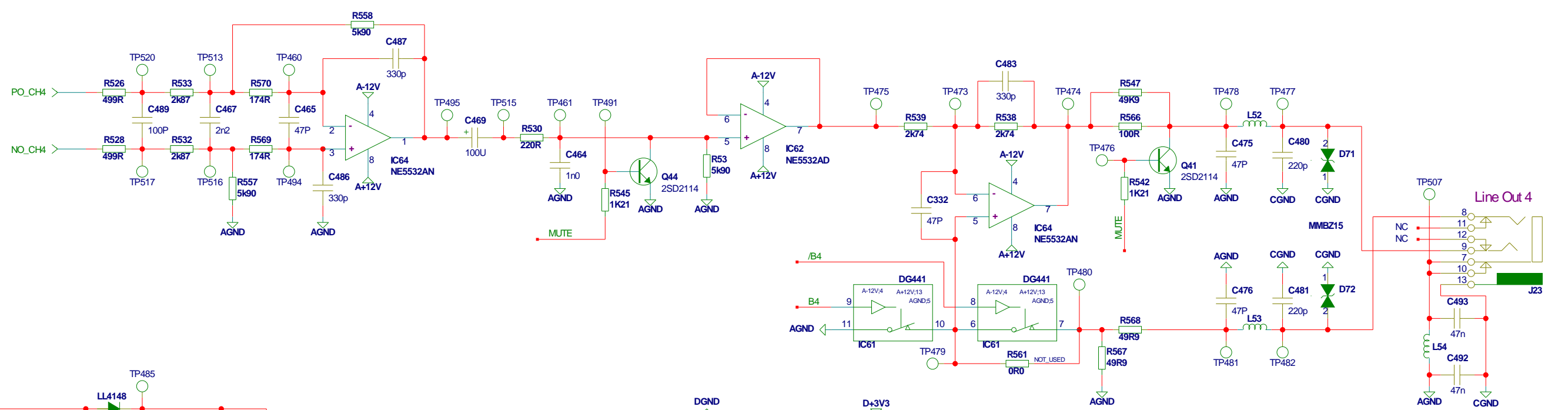
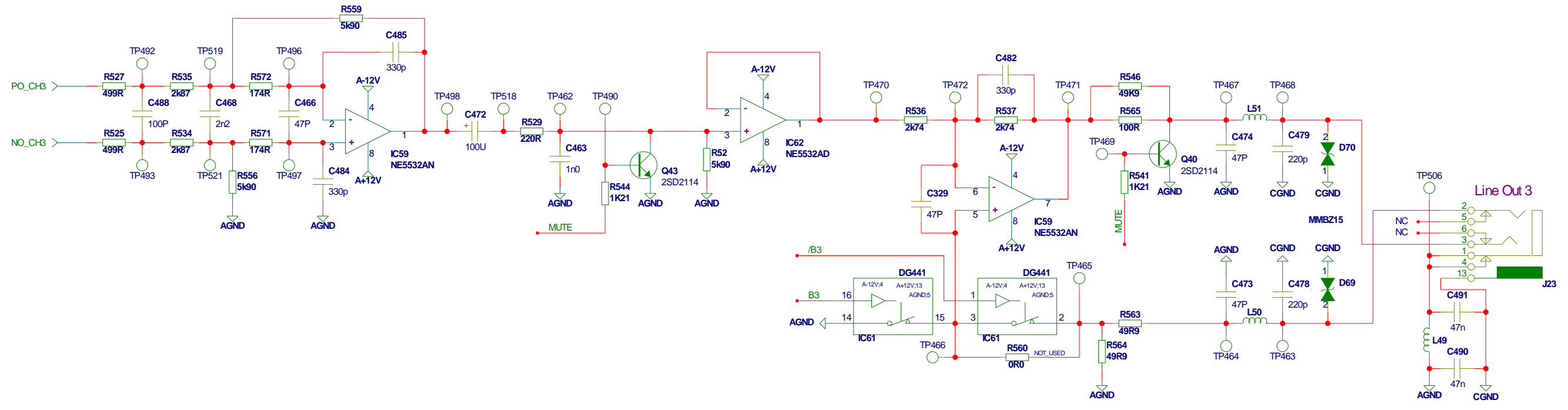


FUB: CODEC (DSP program)
 Aventino Basic: SPUJ193700 (4 SW pairs Latching)
 Aventino DSP+: SPUJ191500 (2 SW pairs Momentary)

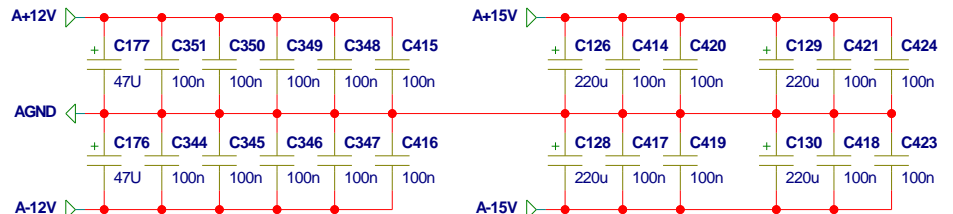
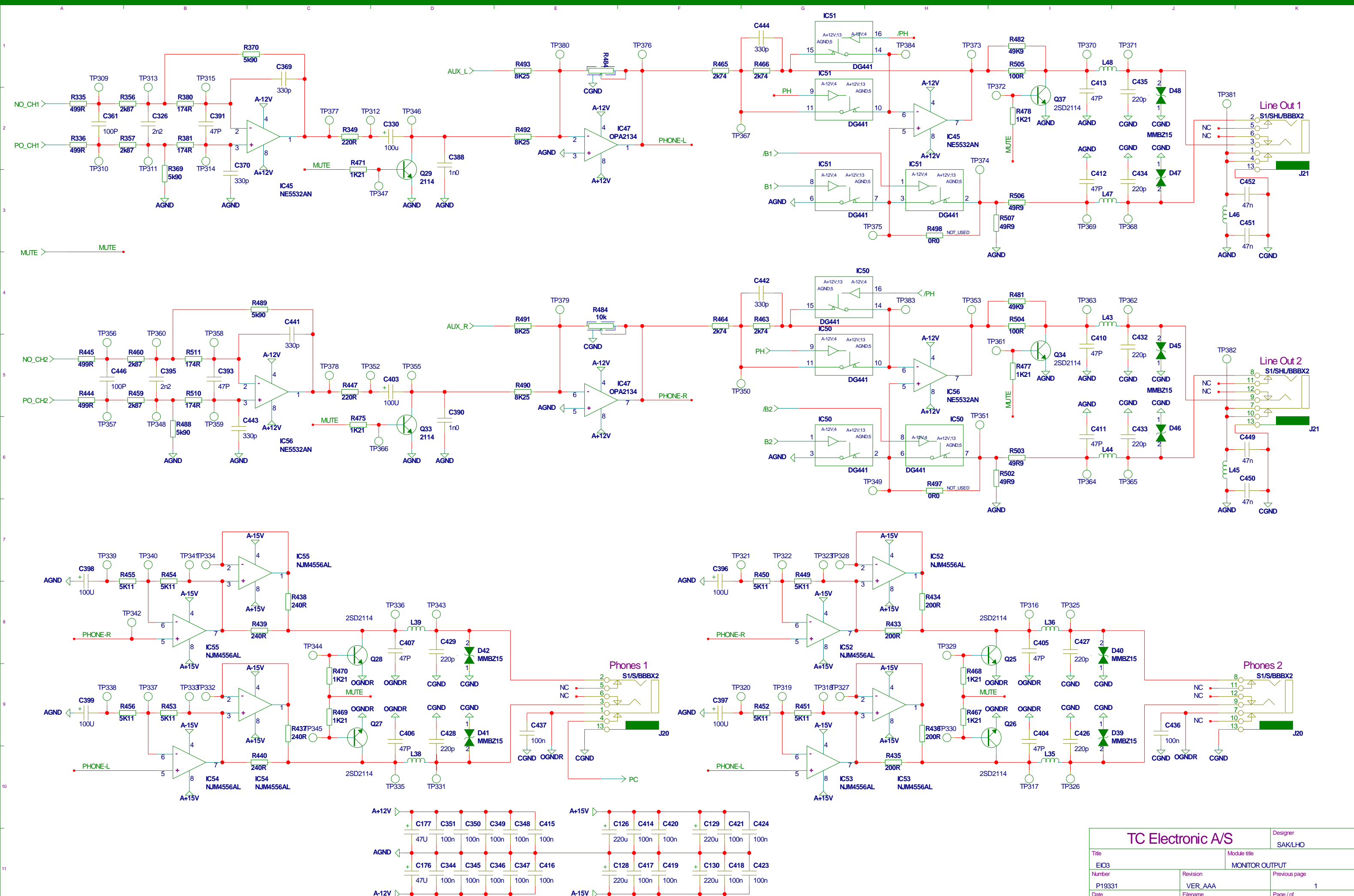
TC Electronic A/S		Designer	LHO
Title	Module title		ANALOG INPUT (LINE IN)
Number	Revision	Previous page	
P19331	VER_AAA	1	
Date	Filenam	Page / of	
9-21-2005_11:45	ANALOG_IN	10 / 15	



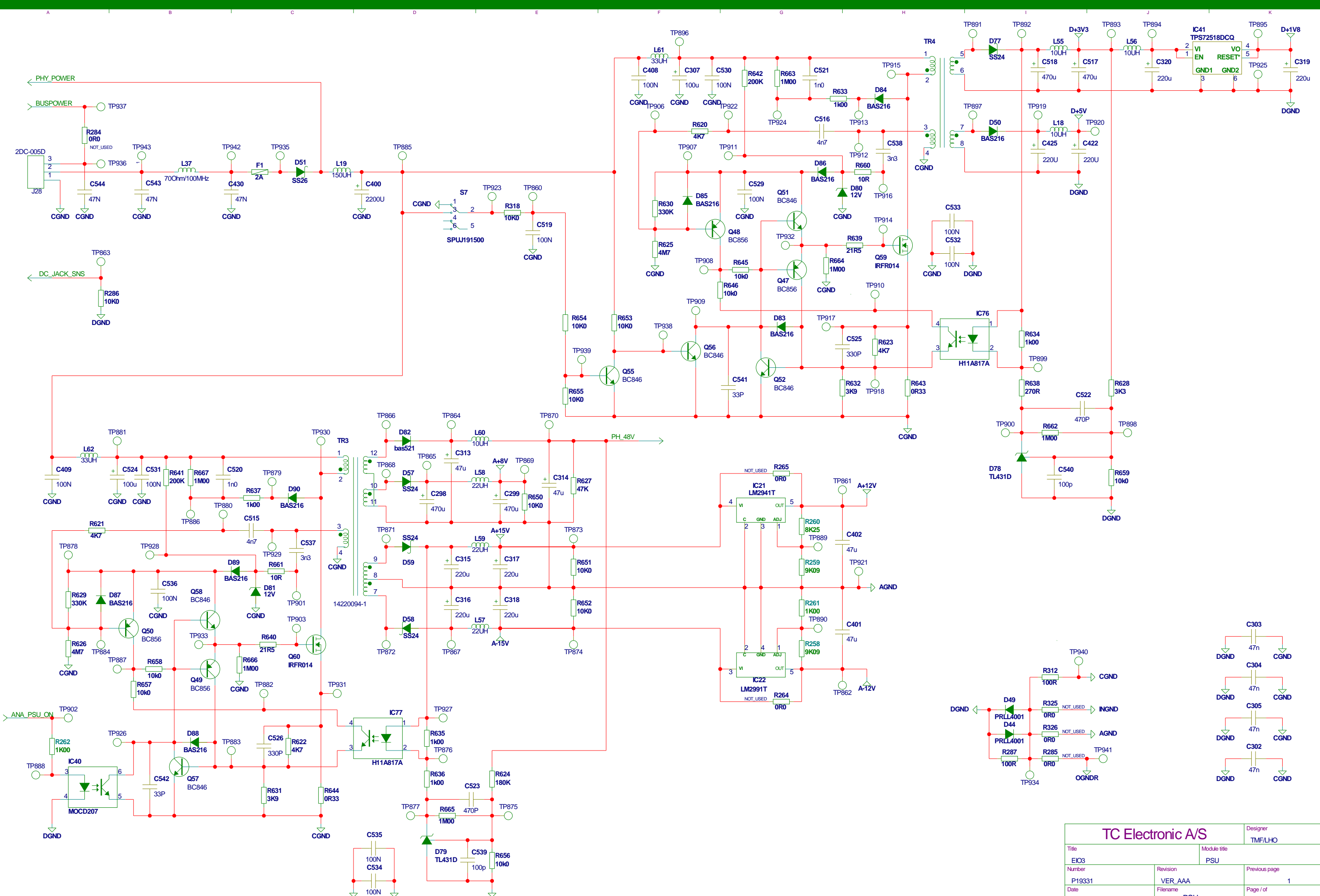
TC Electronic A/S		Designer SAKLHO
Title EIO3	Module title CODEC	
Number P19331	Revision VER_AAA	Previous page 1
Date 9-12-2005 16:12	Filename CODEC	Page / of 11 / 15



TC Electronic A/S		Designer	MFA/LHO
Title	EIO3	Module title	LINE_OUT
Number	P19331	Revision	VER_AAA
Date	9-21-2005 12:03	Filename	LINE_OUT
		Previous page	1
		Page / of	12 / 15



TC Electronic A/S		Designer SAKLHO
Title EIO3	Module title MONITOR OUTPUT	Previous page 1
Number P19331	Revision VER_AAA	Page / of 1
Date 9-21-2005 12:03	Filename MONITOR_OUT	13 / 15



TC Electronic A/S		Designer	TMF/LHO
Title	EIO3	Module title	PSU
Number	P19331	Revision	VER_AAA
Date	9-13-2005 16:24	Filename	PSU
		Previous page	1
		Page / of	14 / 15

EIO3 inner box

EIO3 Acryl Front

ASSEMBLY, TEST, ETC.

Back Plate

PACKING

Front Fastgørelse



M8, M9

TC Electronic A/S		Designer LHO
Title EIO3	Module title MECHANICAL	
Number P19331	Revision VER_AAA	Previous page 1
Date 8-13-2005_20:35	Filename MECHANICAL	Page / of 15 / 15