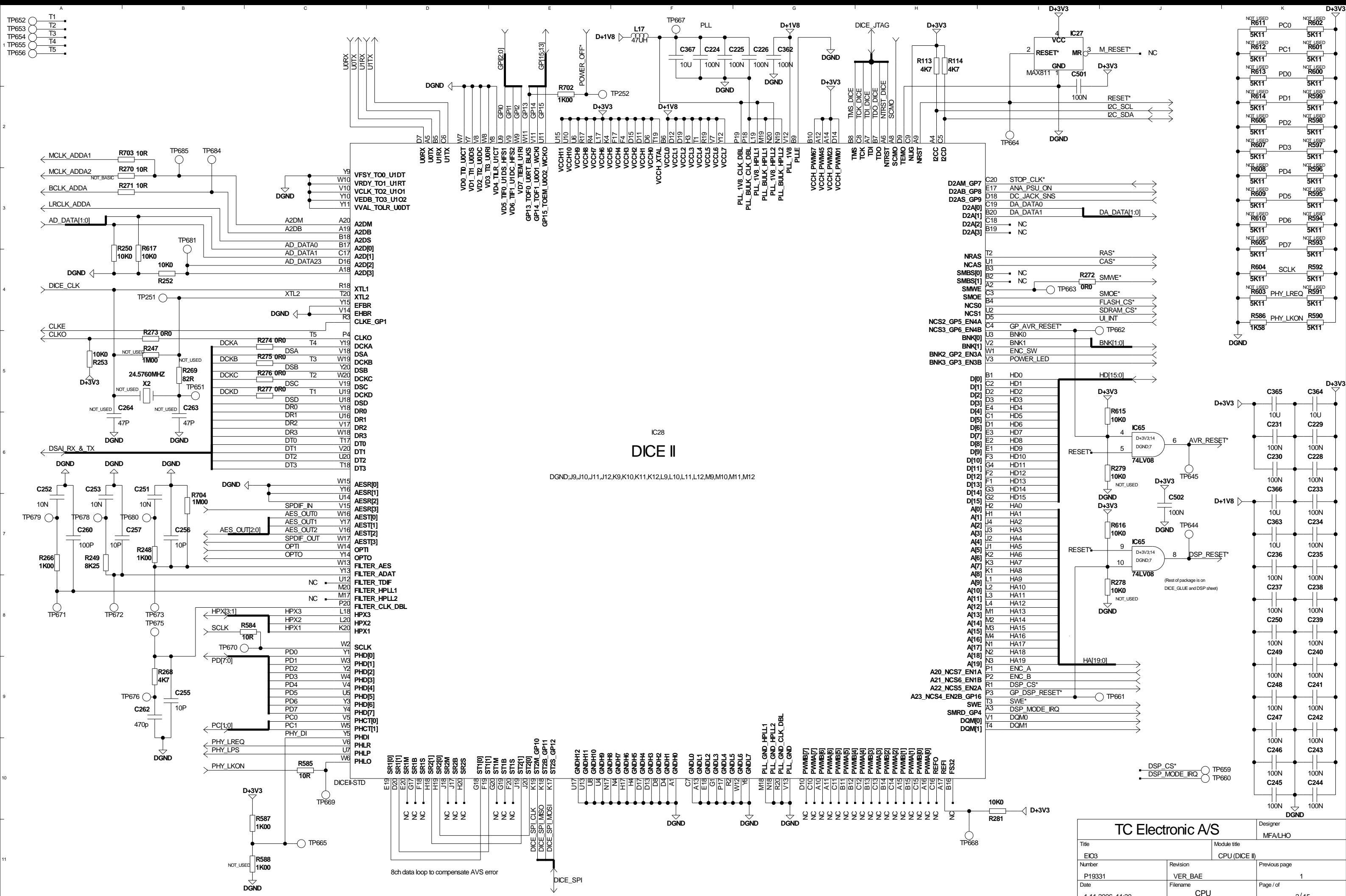
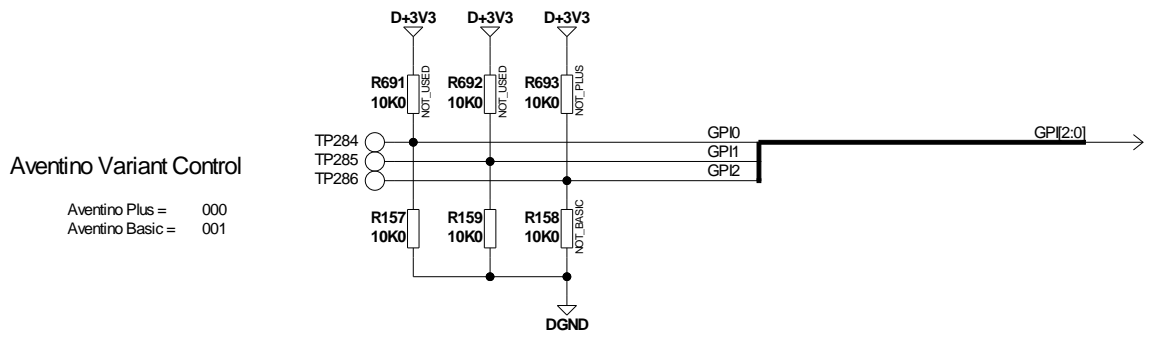
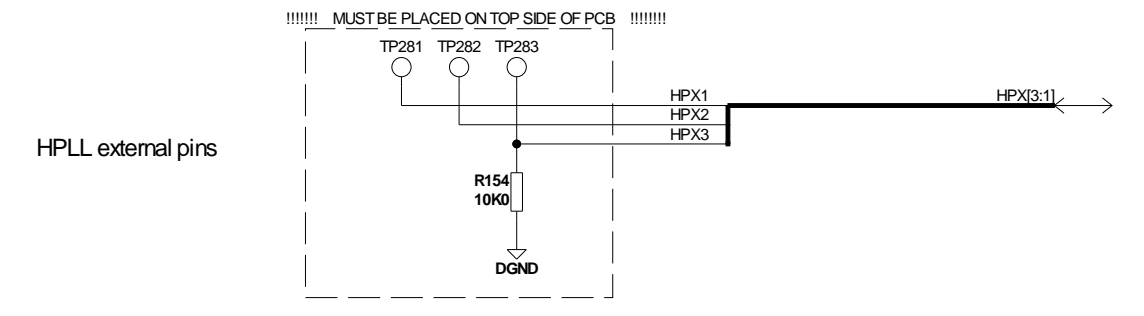
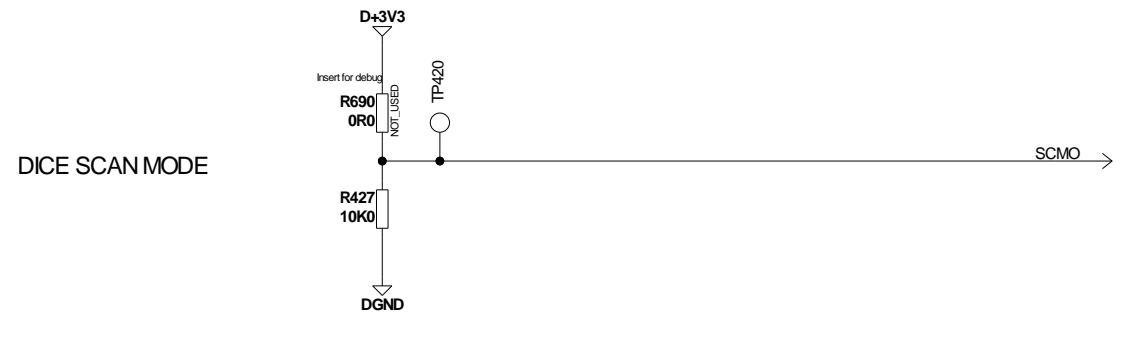
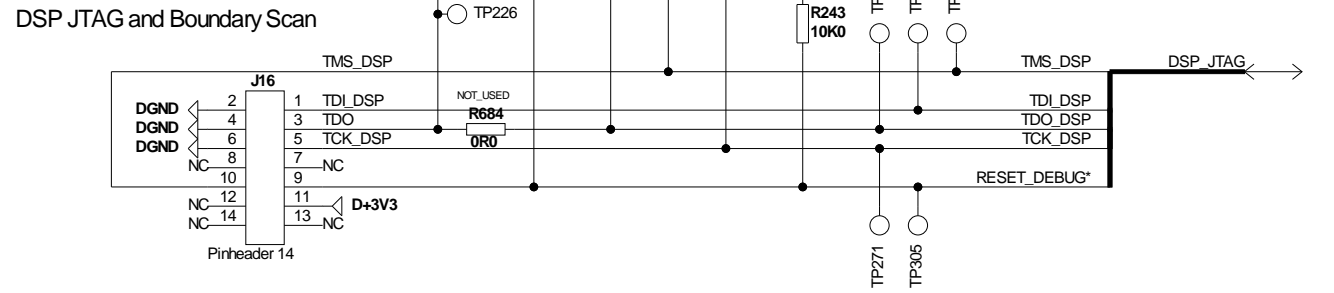
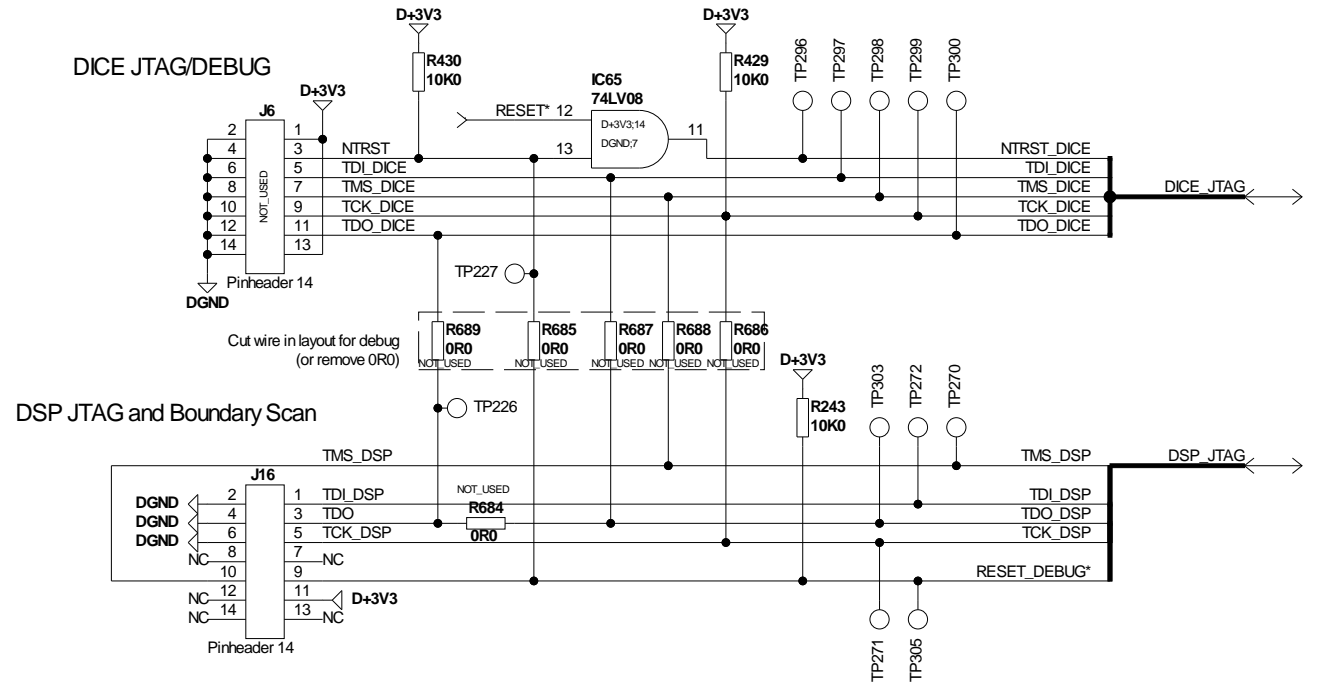
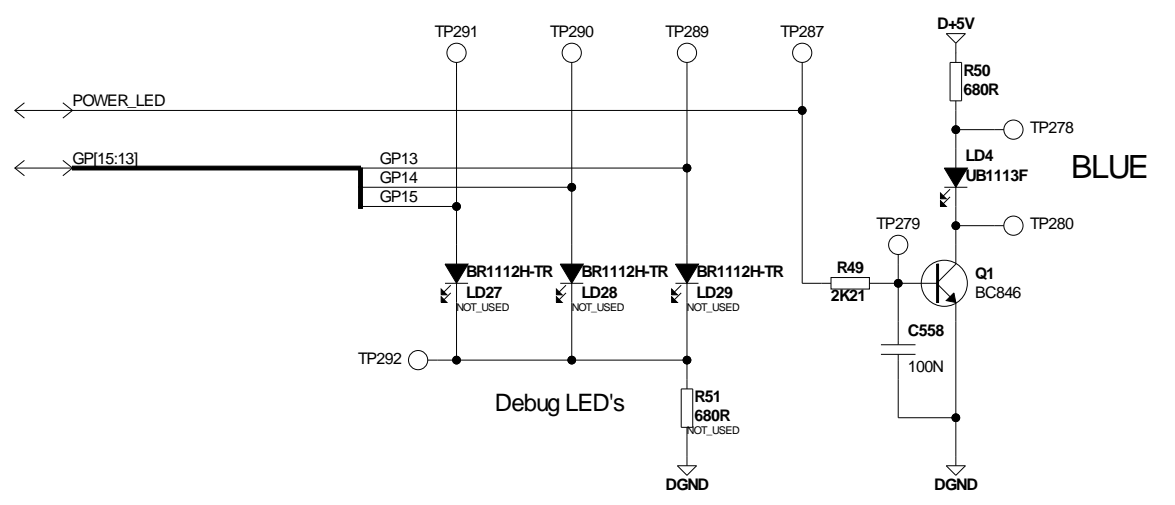
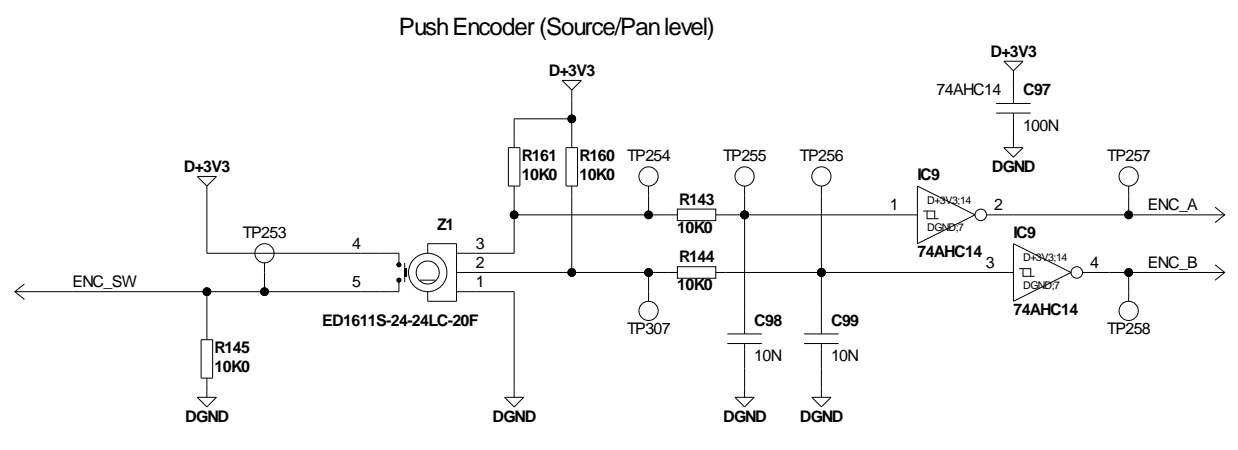
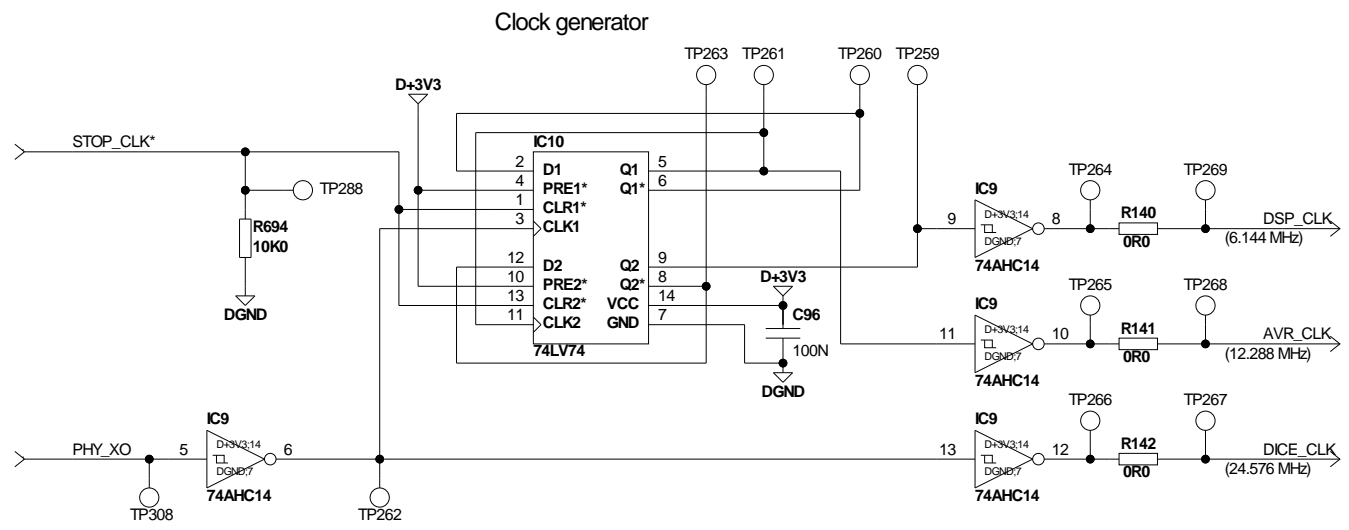


<b>TC Electronic A/S</b>		Designer
Title		MFA/LHO
EIO3		Module title
Number		TOP
P19331	Revision	Previous page
	VER_BAE	NONE
Date	Filename	Page / of
1-11-2006_11:53	P19331-B	1 / 15

M10  
P19331-B

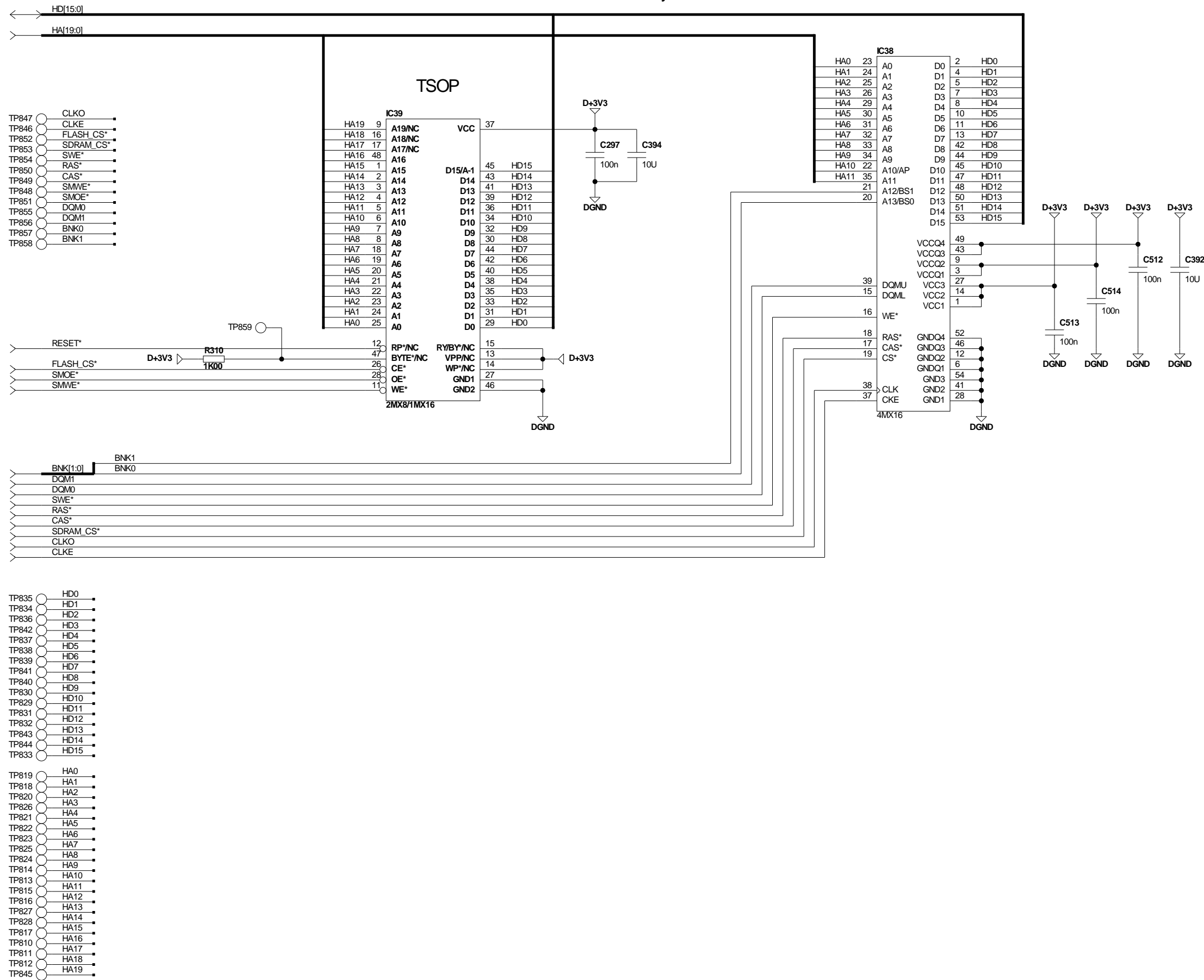


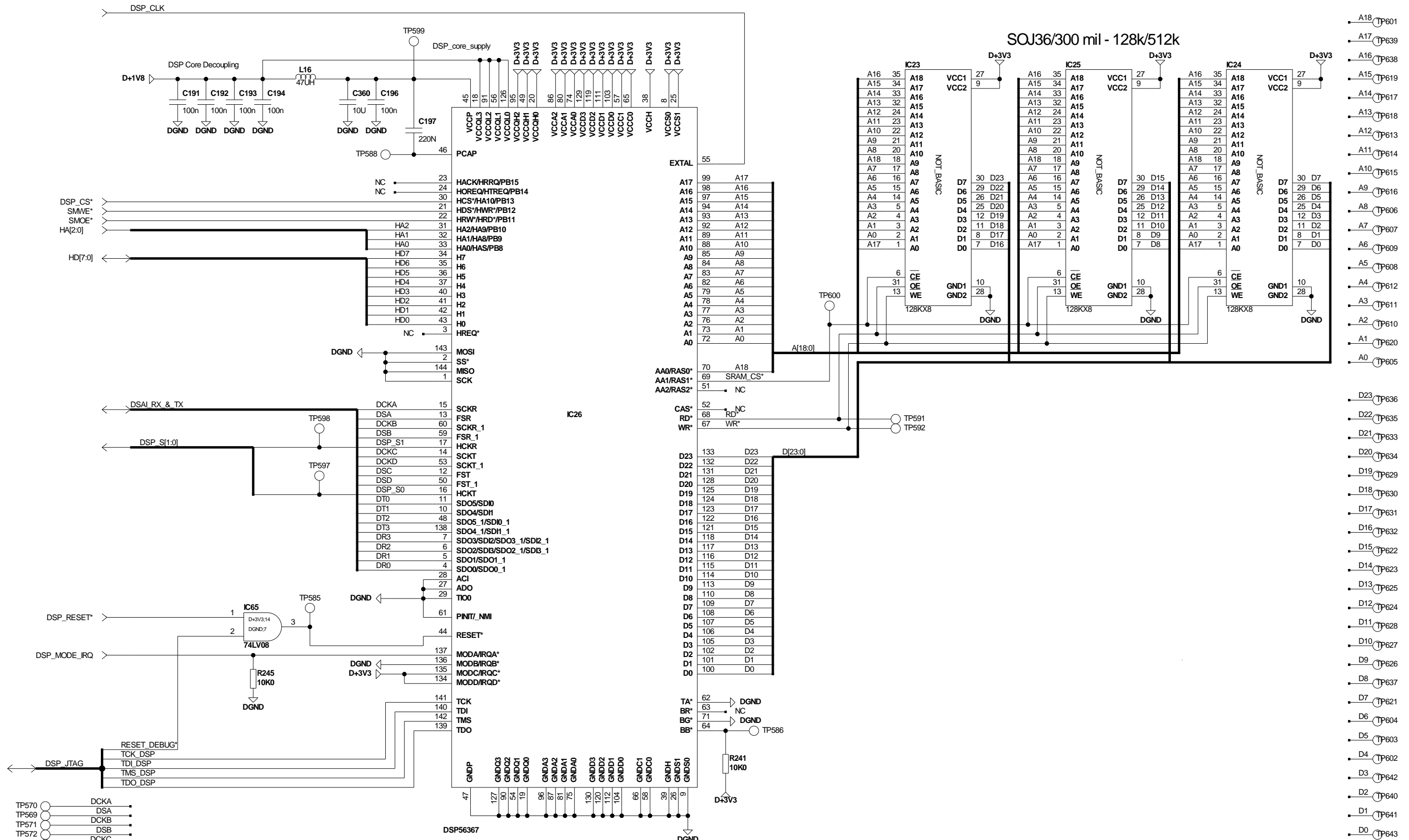
<b>TC Electronic A/S</b>		Designer	MFA/LHO
Title	EIO3	Module title	CPU (DICE II)
Number	P19331	Revision	VER_BAE
Date	1-11-2006_11:30	Filename	CPU
		Previous page	1
		Page / of	2 / 15



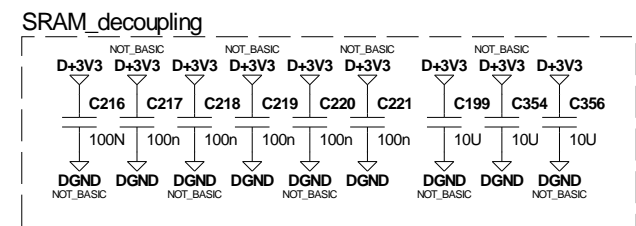
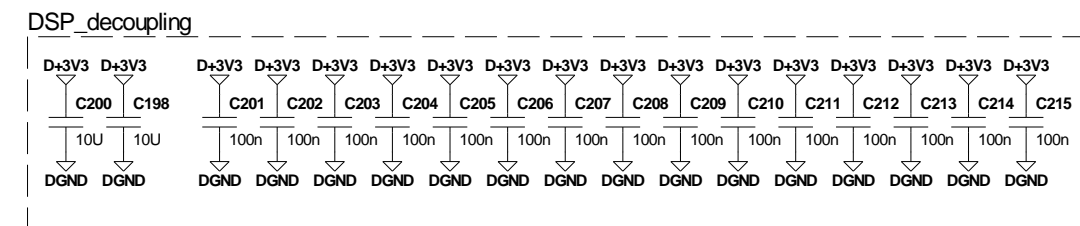
TC Electronic A/S		Designer
		MFA
Title: EIO3		Module title: DICE_GLUE
Number: P19331	Revision: VER_BAE	Previous page: 1
Date: 1-11-2006_12:30	Filename: DICE_GLUE	Page / of: 3 / 15

# Host Memory

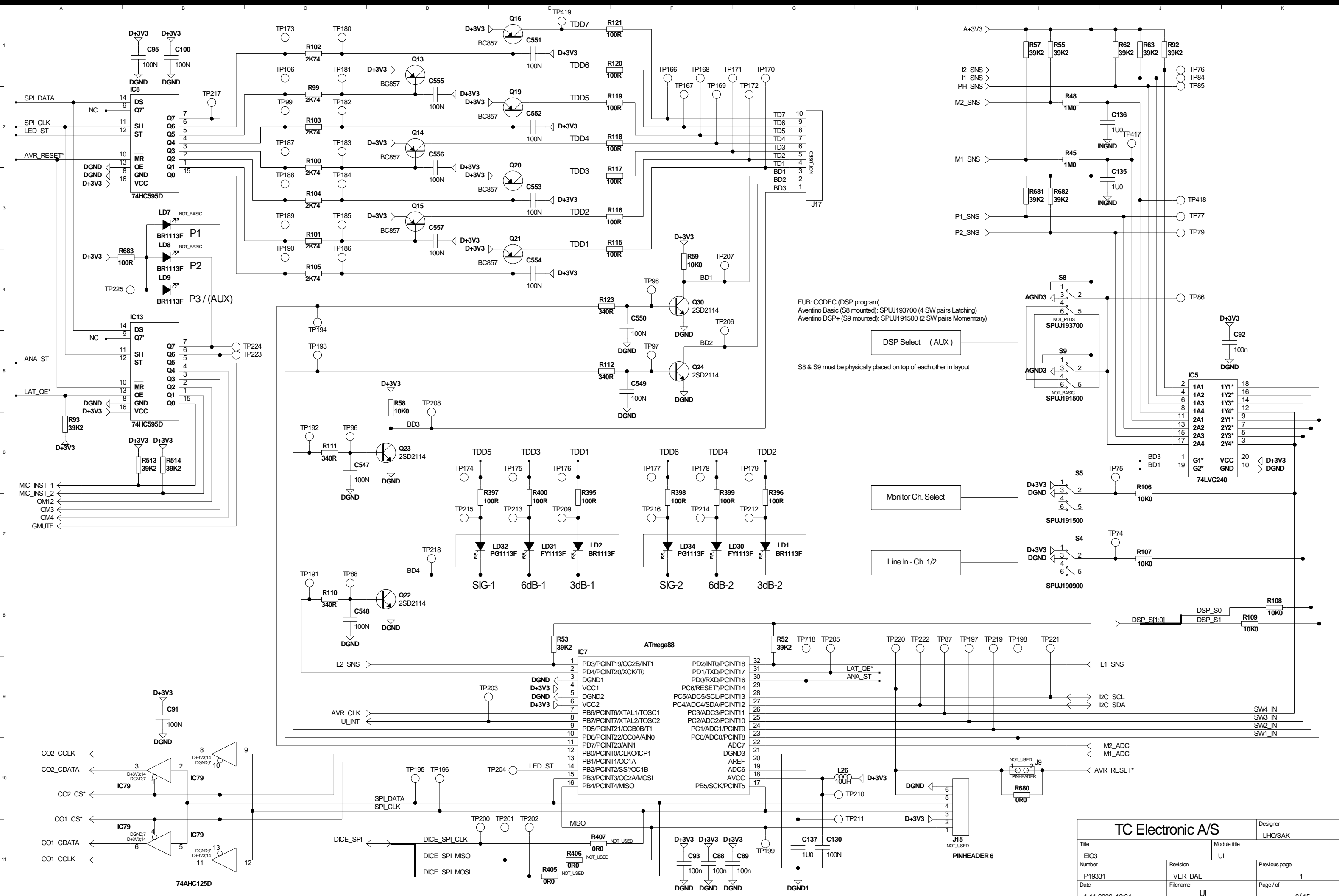




- TP570 DCKA
- TP569 DSA
- TP571 DCKB
- TP572 DSB
- TP573 DCKC
- TP574 DCKD
- TP575 DSC
- TP576 DSD
- TP577 DT0
- TP578 DT1
- TP579 DT2
- TP580 DT3
- TP581 DR3
- TP582 DR2
- TP583 DR1
- TP584 DR0



TC Electronic A/S		Designer
EIO3		LHOMFA
Number	Revision	Previous page
P19331	VER_BAE	1
Date	Filename	Page / of
1-11-2006 11:31	DSP	5 / 15



FUB: CODEC (DSP program)  
 Averitino Basic (S8 mounted); SPUJ193700 (4 SW pairs Latching)  
 Averitino DSP+ (S9 mounted); SPUJ191500 (2 SW pairs Momentary)

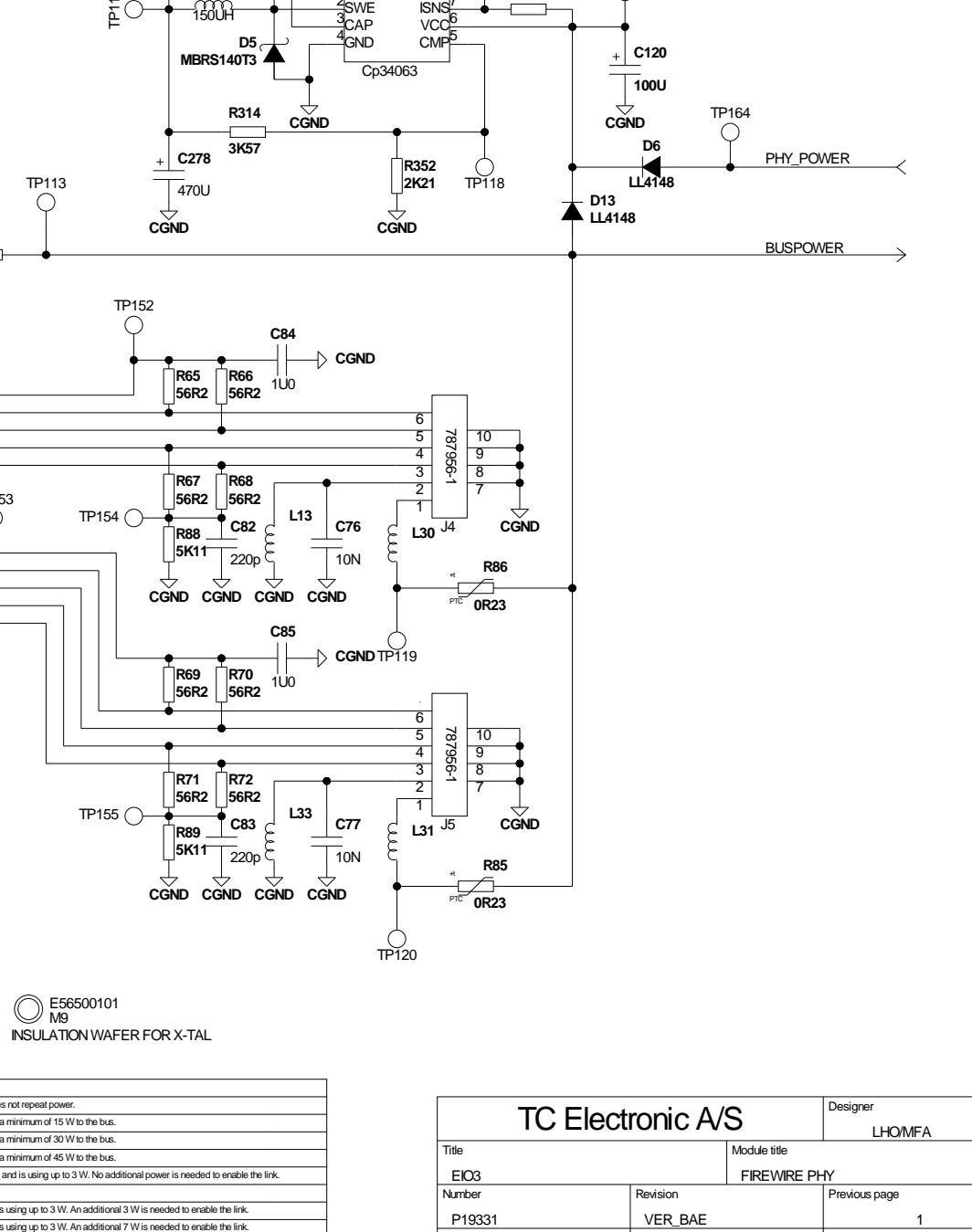
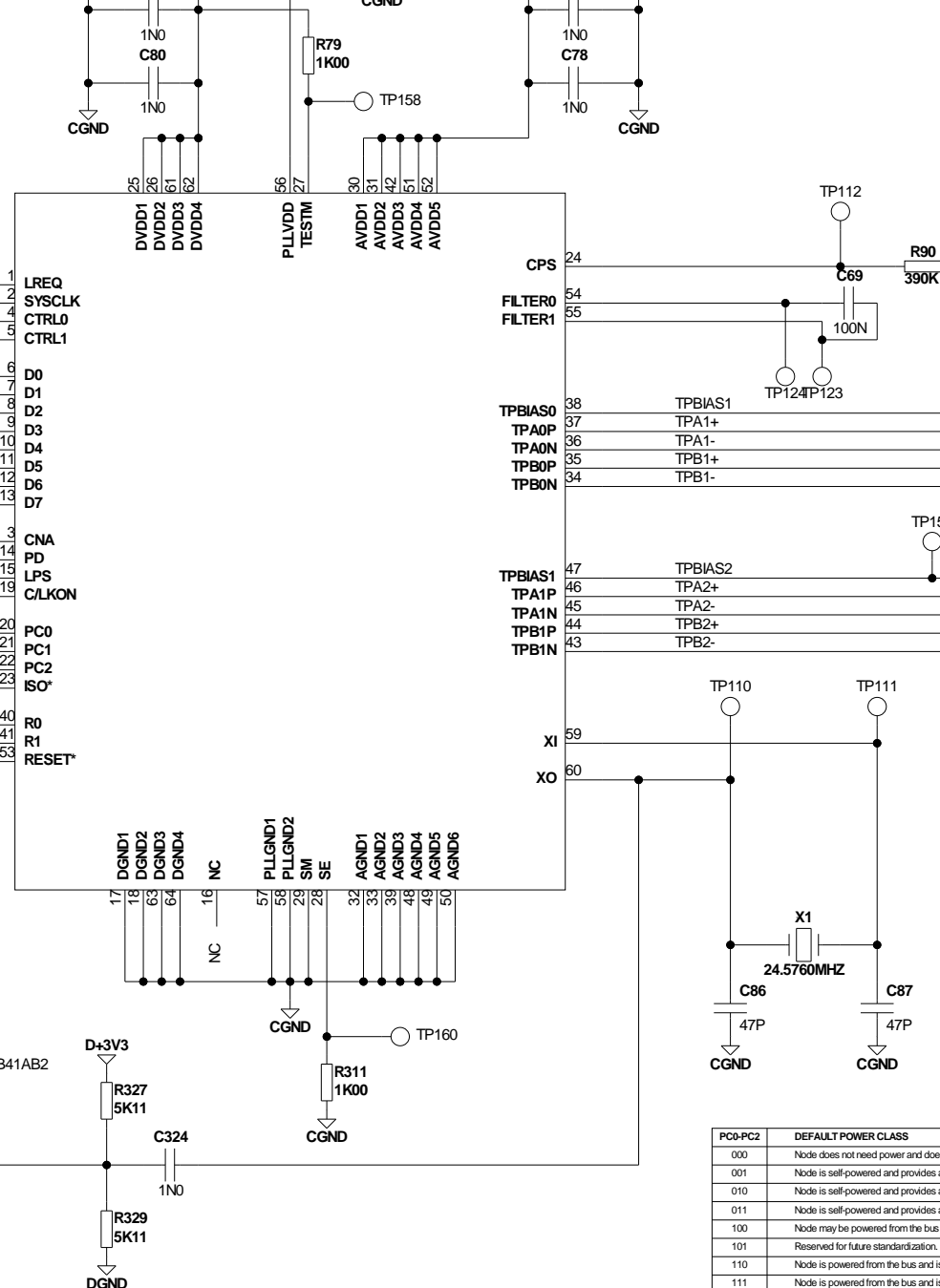
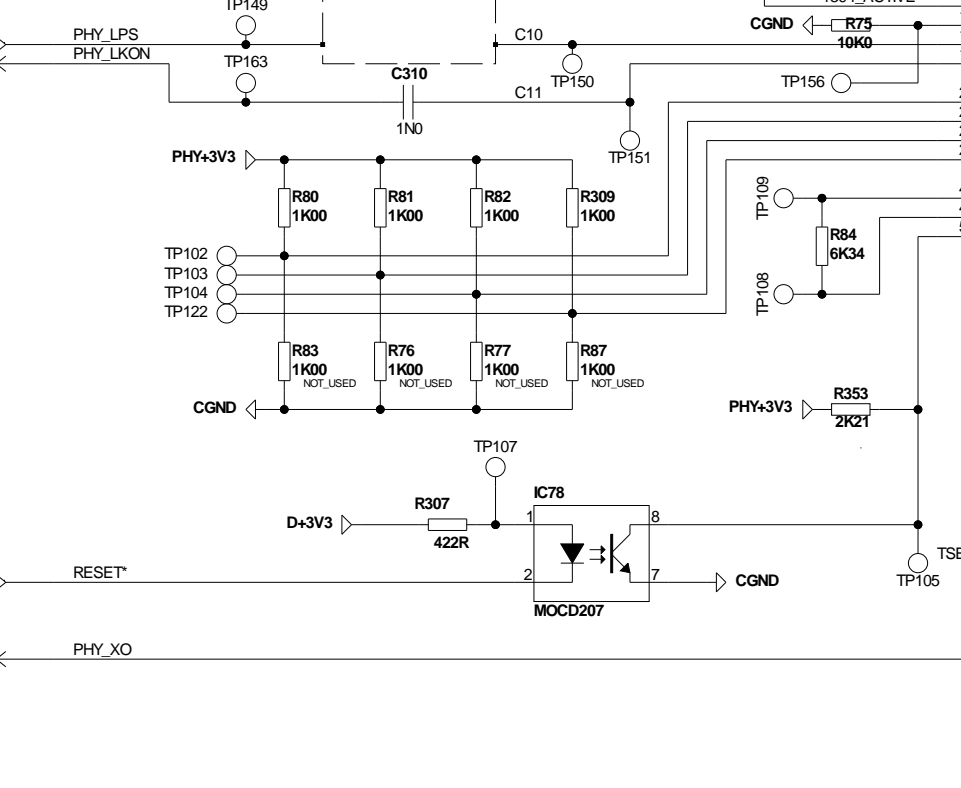
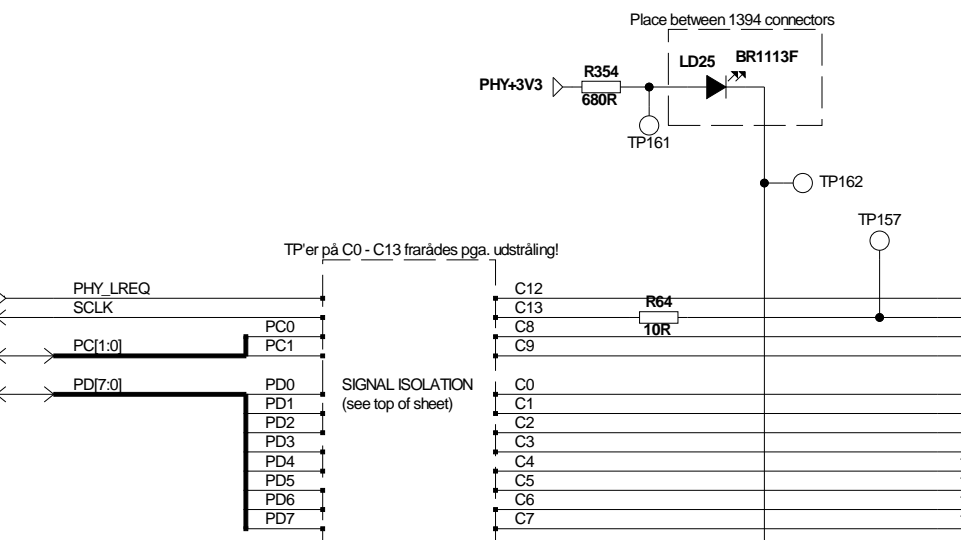
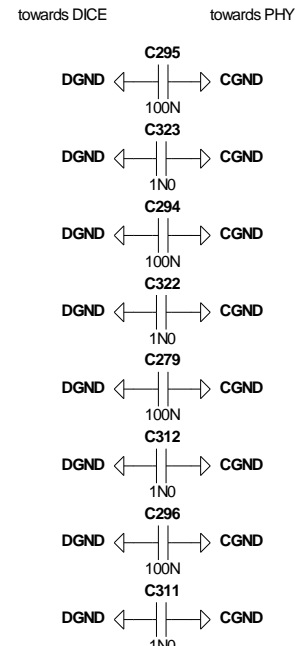
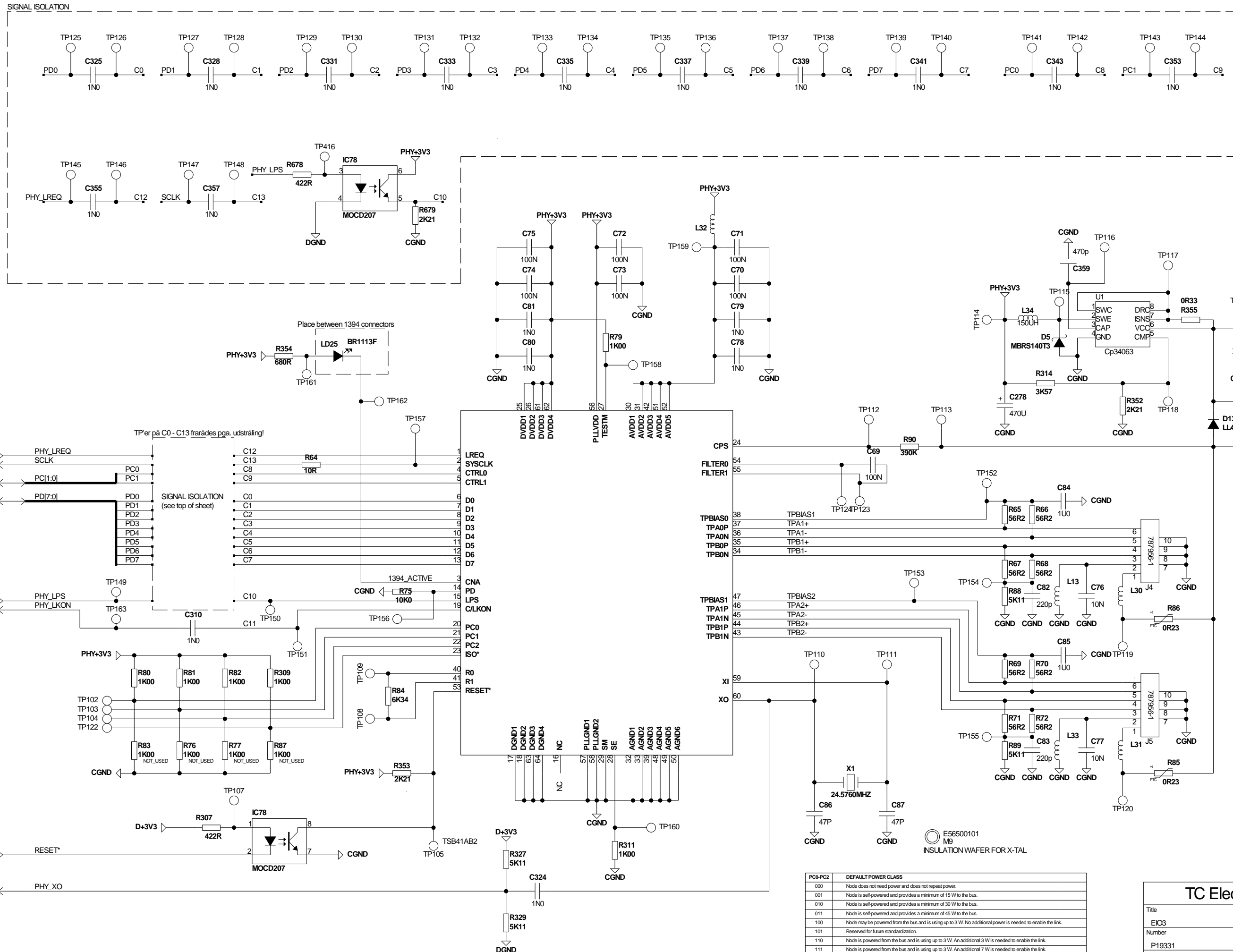
DSP Select (AUX)

S8 & S9 must be physically placed on top of each other in layout

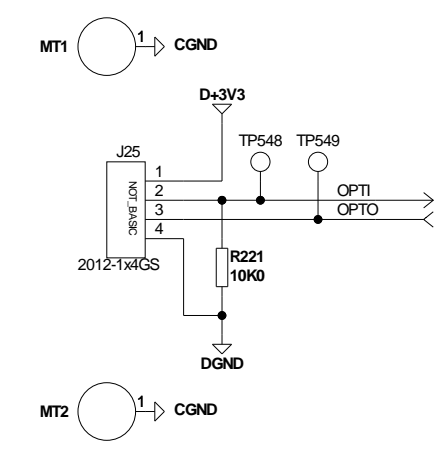
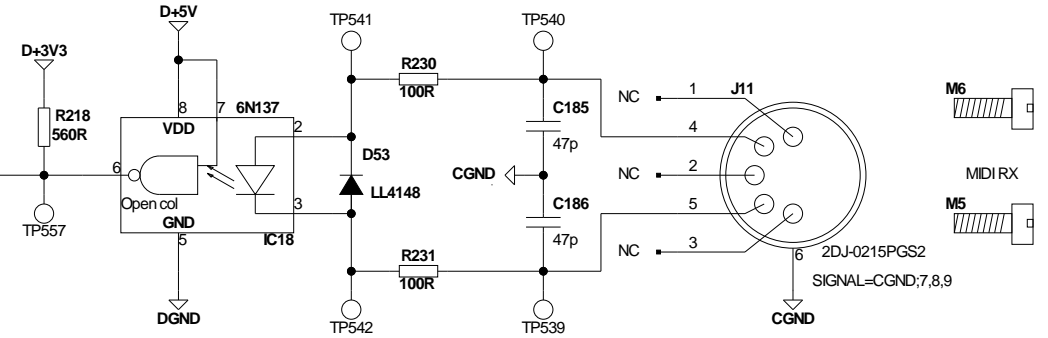
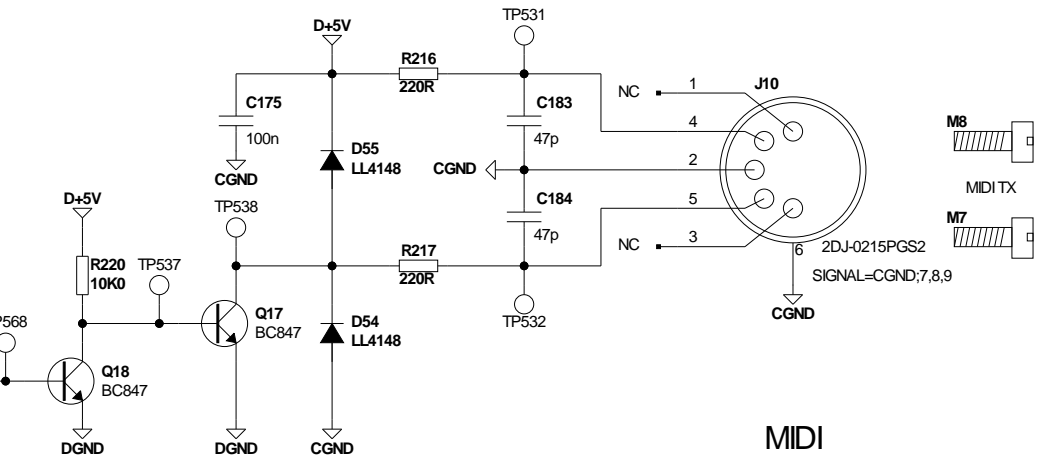
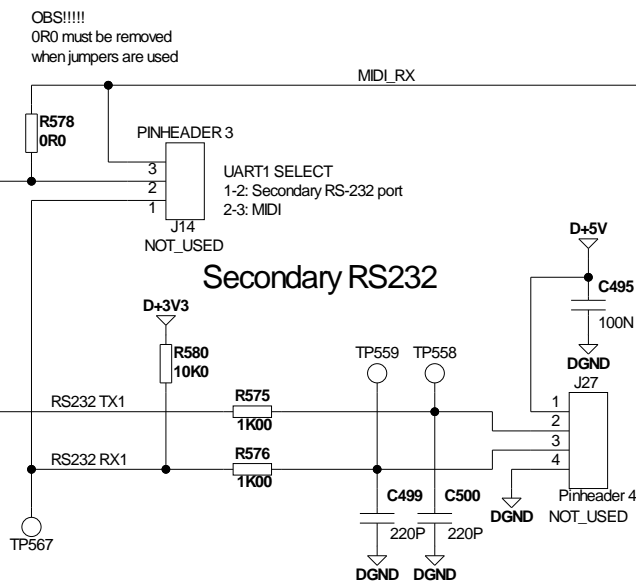
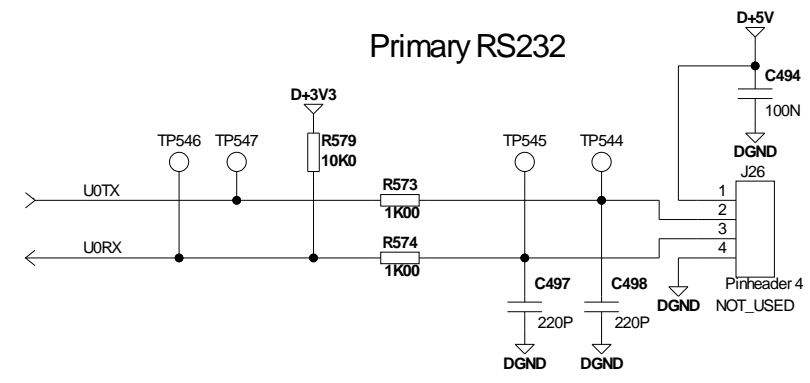
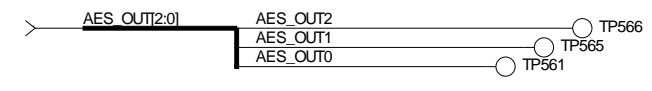
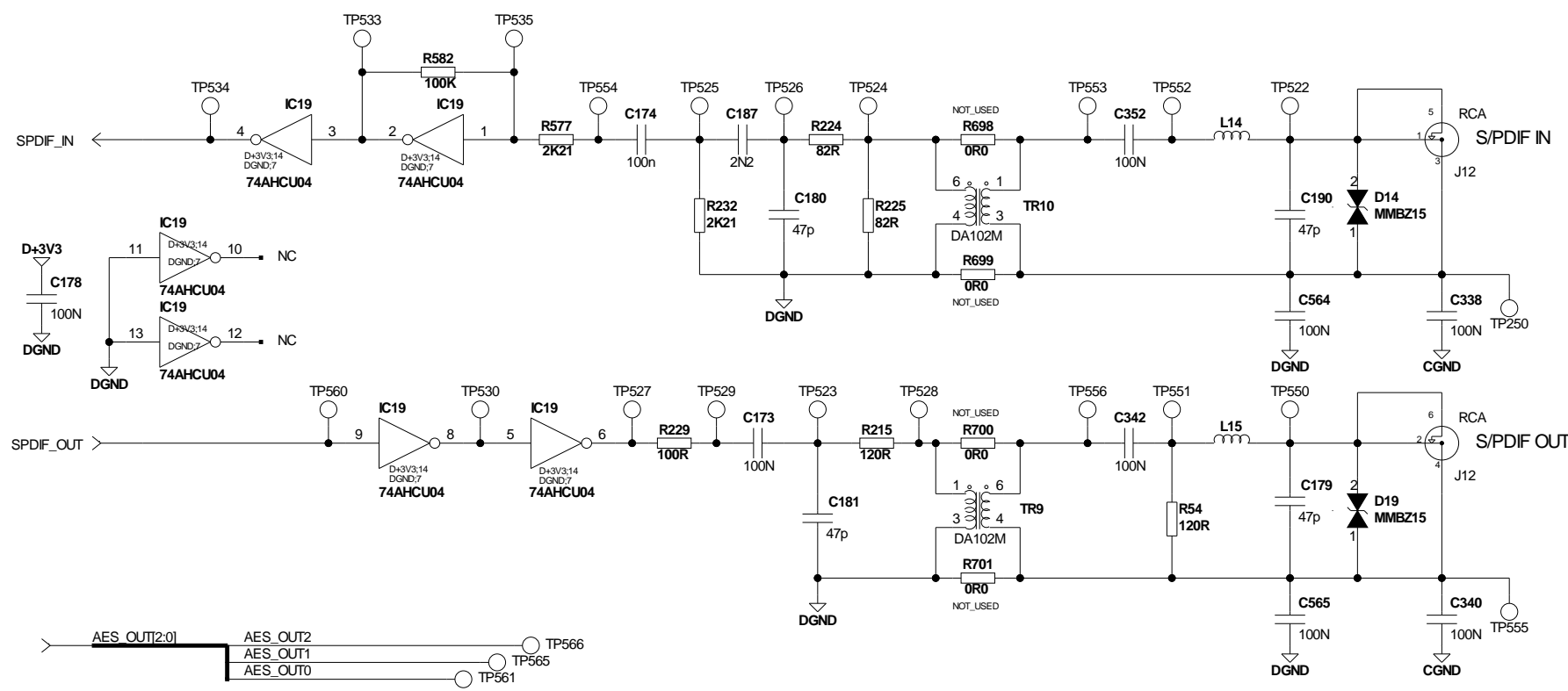
Monitor Ch. Select

Line In - Ch. 1/2

<b>TC Electronic AVS</b>		Designer
		LHO/SAK
Title	EIO3	Module title
Number	P19331	UI
Date	1-11-2006_12:34	Previous page
		1
Revision	VER_BAE	Page / of
Filename	UI	6 / 15

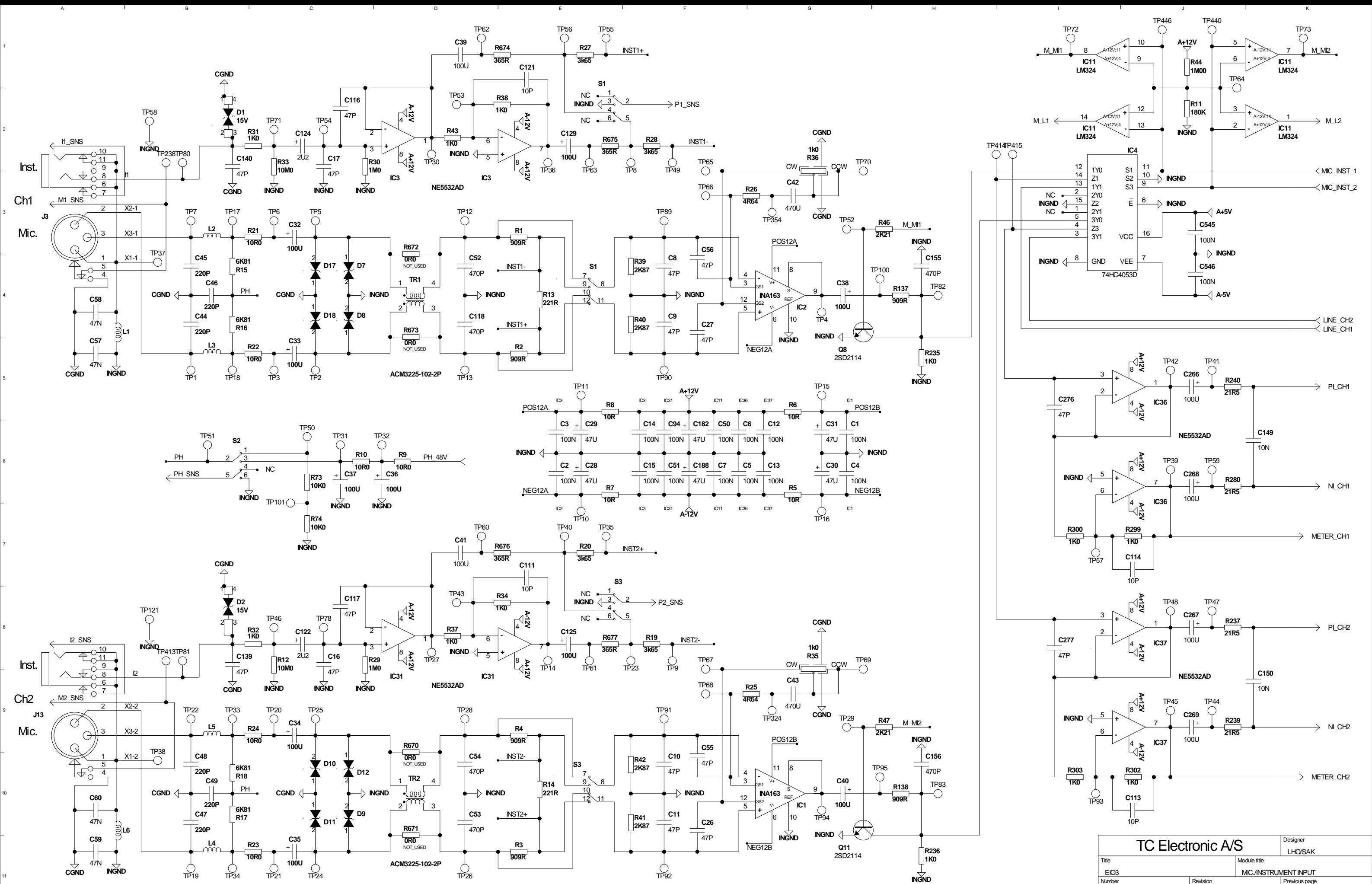


PC0-PC2	DEFAULT POWER CLASS
000	Node does not need power and does not repeat power.
001	Node is self-powered and provides a minimum of 15 W to the bus.
010	Node is self-powered and provides a minimum of 30 W to the bus.
011	Node is self-powered and provides a minimum of 45 W to the bus.
100	Node may be powered from the bus and is using up to 3 W. No additional power is needed to enable the link.
101	Reserved for future standardization.
110	Node is powered from the bus and is using up to 3 W. An additional 3 W is needed to enable the link.
111	Node is powered from the bus and is using up to 3 W. An additional 7 W is needed to enable the link.

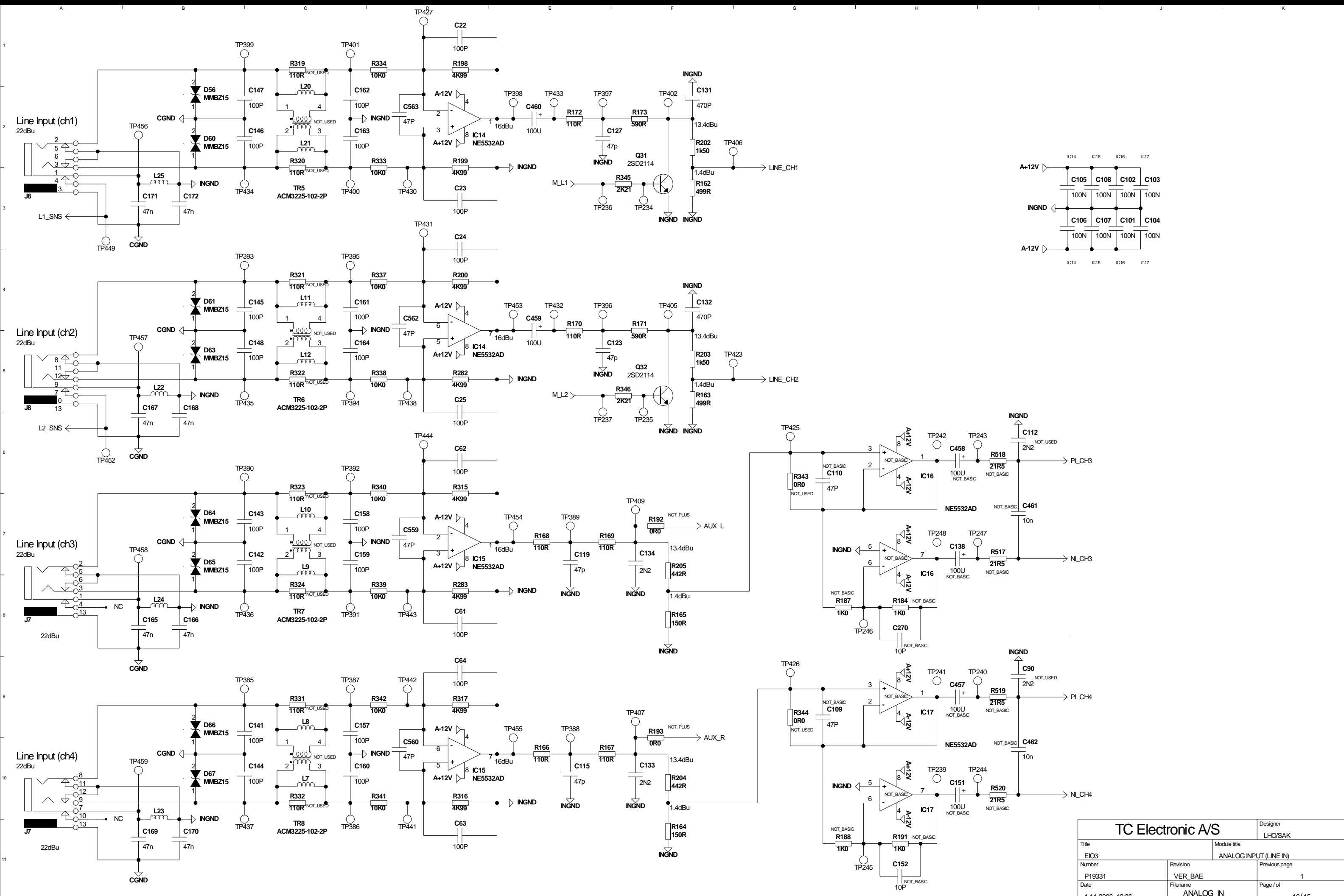


TC Electronic A/S		Designer LHOMFA/SAK	
Title EIO3		Module title DIGITAL IN/OUT	
Number P19331	Revision VER_BAE	Previous page 1	
Date 1-11-2006_11:32	Filename DIGITAL_IN_OUT	Page / of 8 / 15	

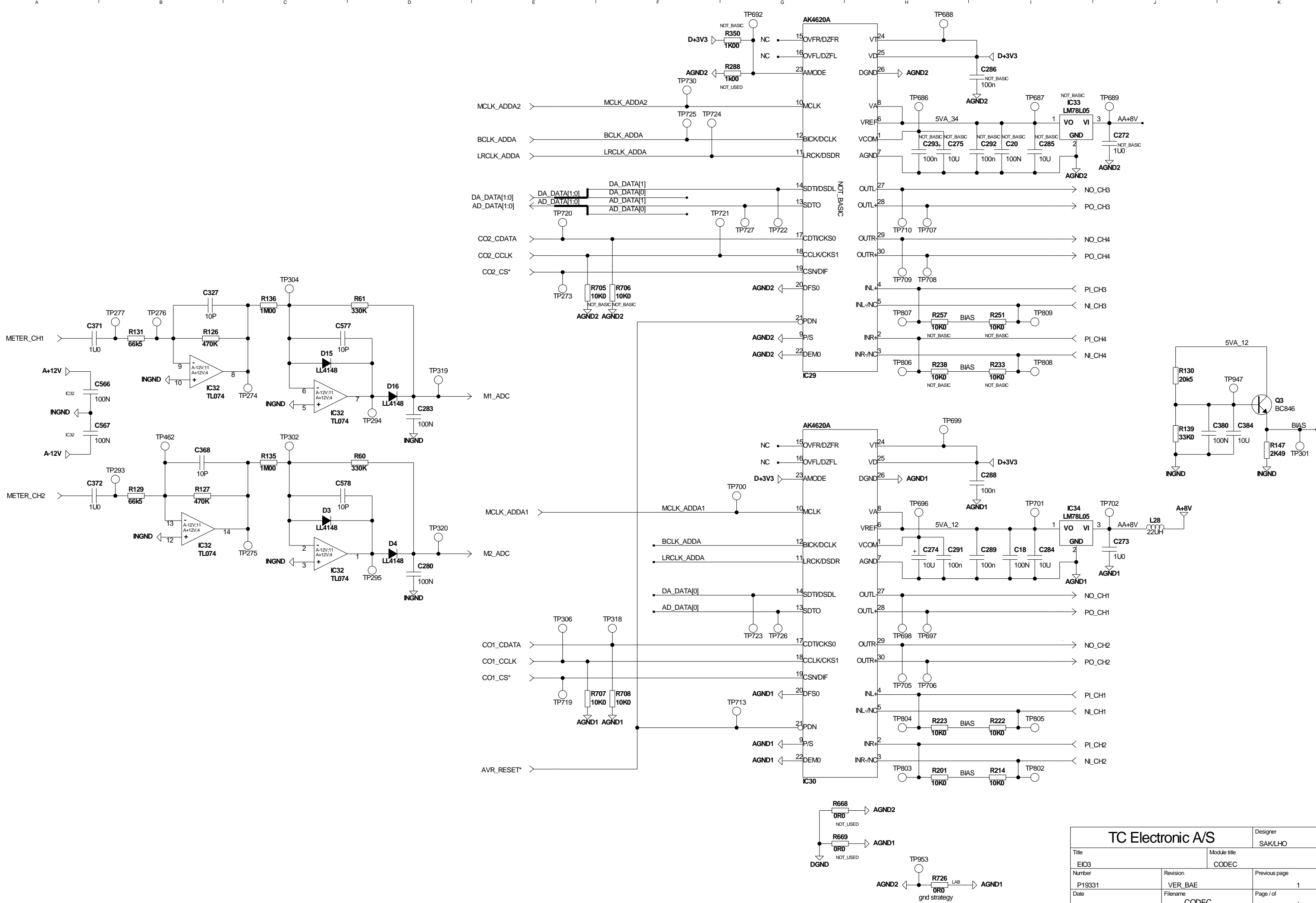




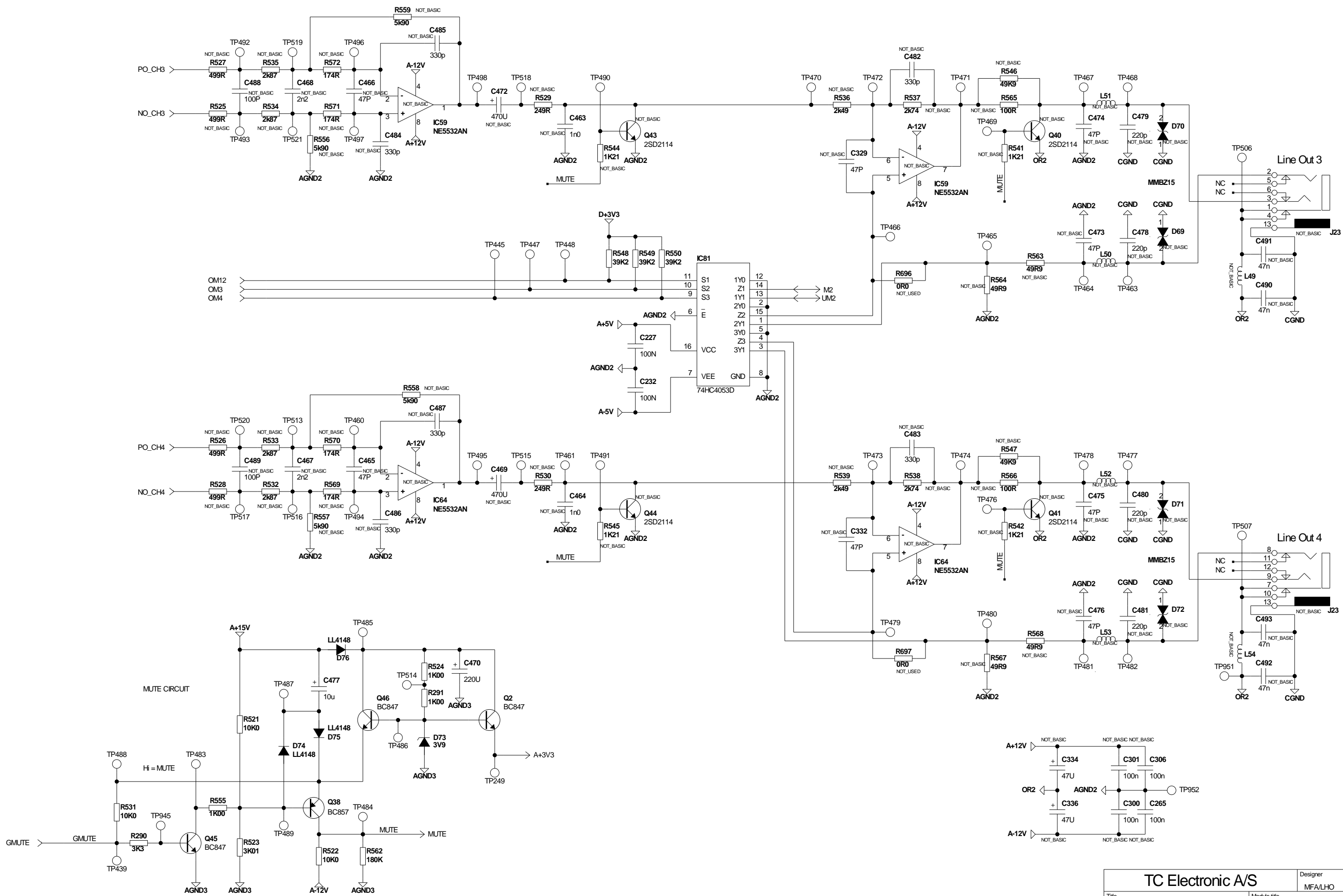
<b>TC Electronic A/S</b>		Designer LHO/SAK
Title EIO3	Module title MIC/INSTRUMENT INPUT	Previous page 1
Number P19331	Revision VER_BAE	Page / of 9 / 15
Date 1-11-2006_11:32	Filename MIC_IN	



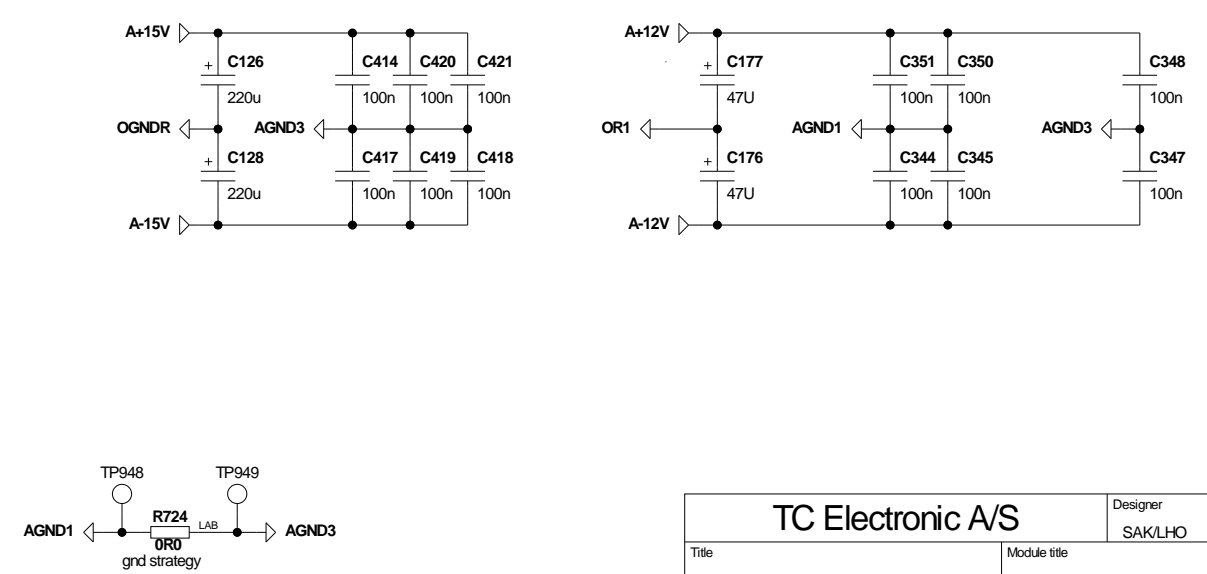
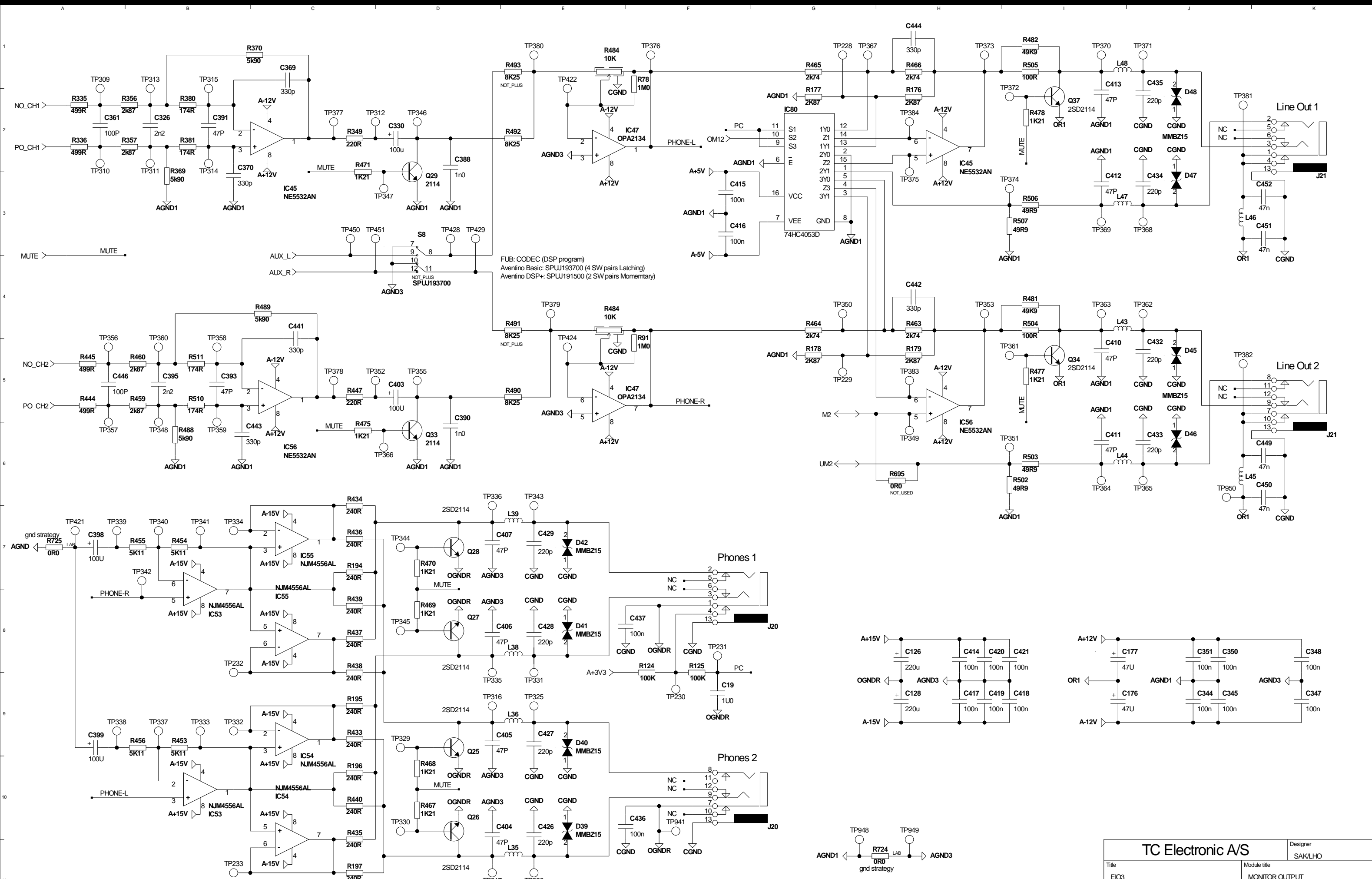
<b>TC Electronic A/S</b>		Designer	LHO/SAK
Title	EIO3	Module title	ANALOG INPUT (LINE IN)
Number	P19331	Revision	VER_BAE
Date	1-11-2006_12:36	Filename	ANALOG_IN
		Page / of	1 / 15



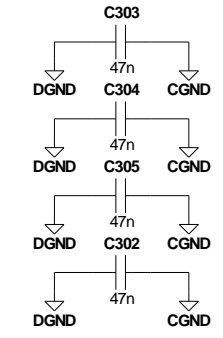
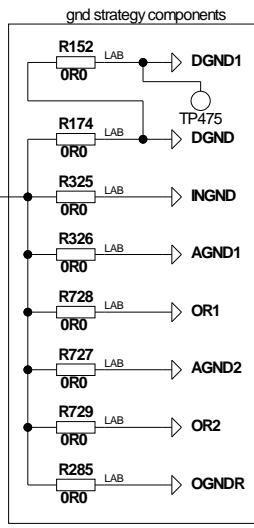
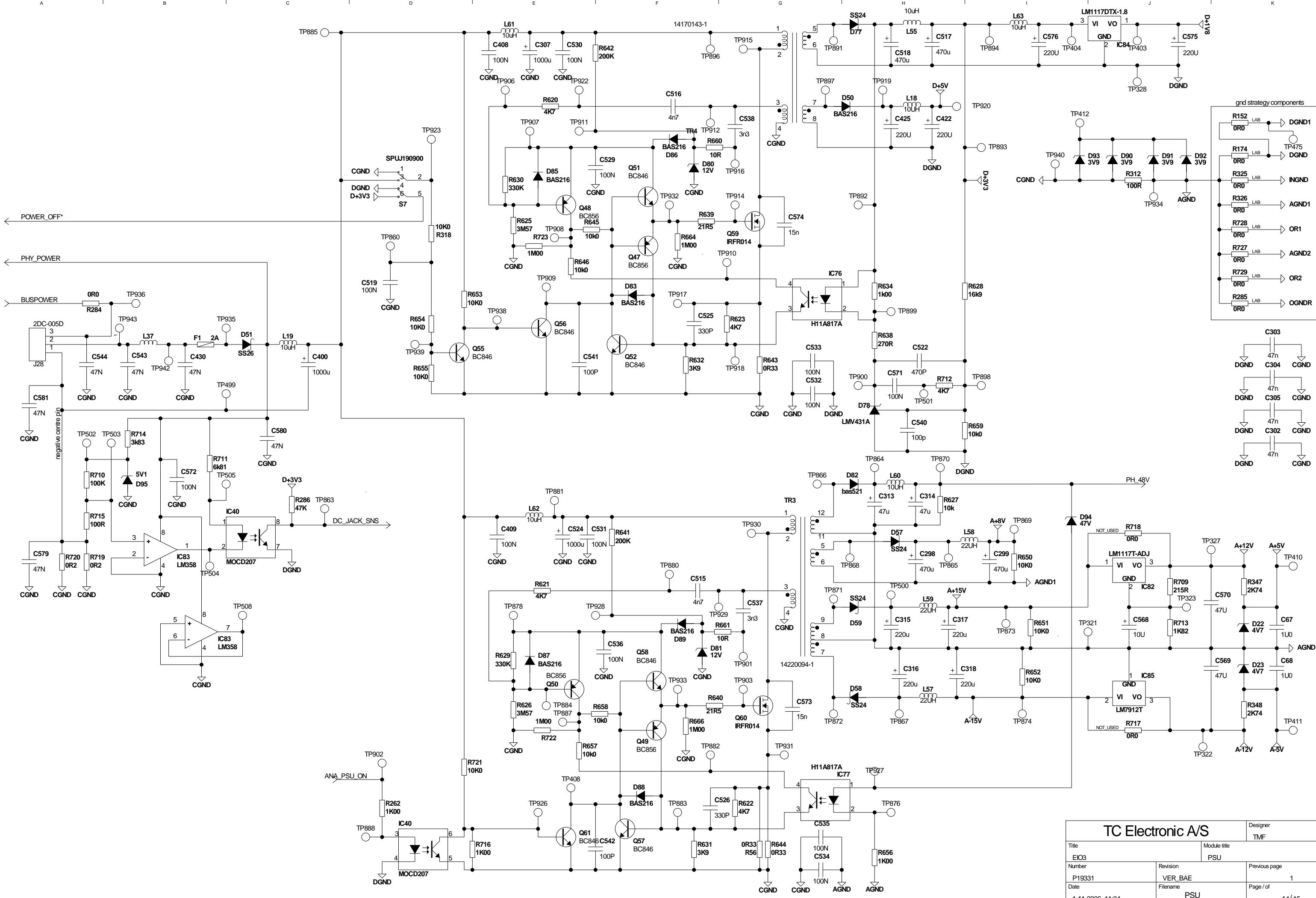
<b>TC Electronic A/S</b>		Designer SAK/LHO
Title EIO3	Module title CODEC	
Number P19331	Revision VER_BAE	Previous page 1
Date 1-11-2006_11:33	Filename CODEC	Page / of 11 / 15



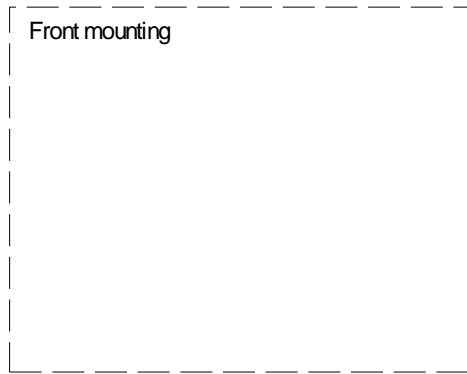
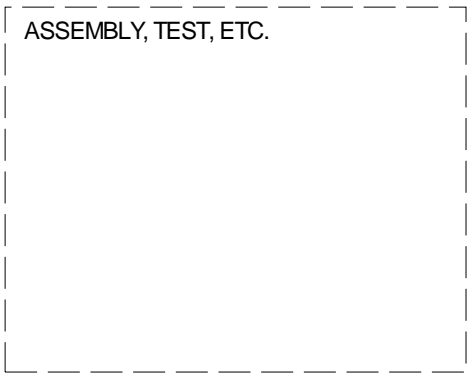
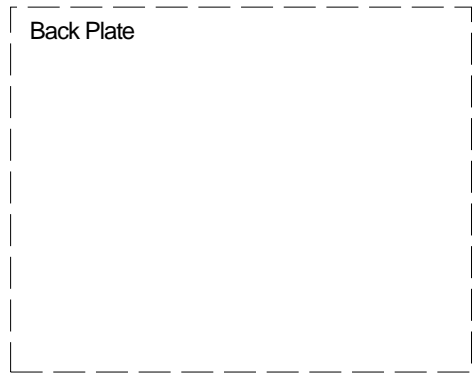
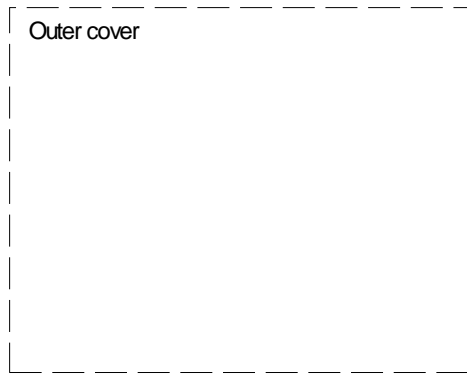
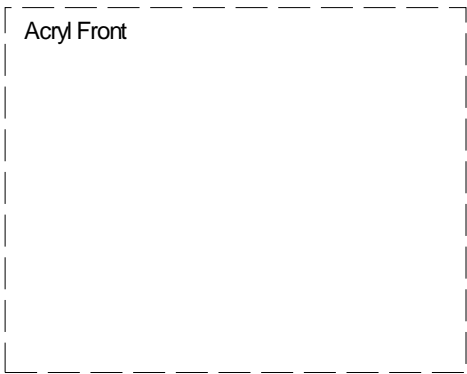
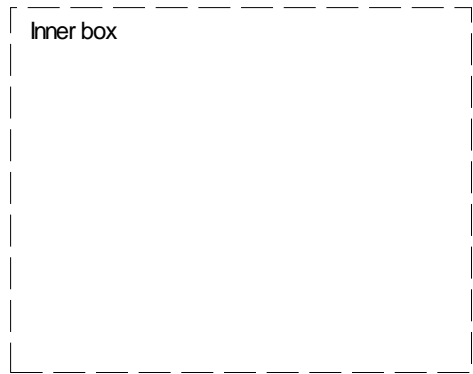
<b>TC Electronic A/S</b>		Designer	MFA/LHO
Title	EIO3	Module title	LINE_OUT
Number	P19331	Revision	VER_BAE
Date	1-11-2006_11:33	Filename	LINE_OUT
		Previous page	1
		Page / of	12 / 15



<b>TC Electronic A/S</b>		Designer SAKLHO
Title EIO3	Module title MONITOR OUTPUT	Previous page 1
Number P19331	Revision VER_BAE	Page / of 1
Date 1-11-2006_12:37	Filename MONITOR_OUT	13 / 15



<b>TC Electronic A/S</b>		Designer	TMF
Title	EIO3	Module title	PSU
Number	P19331	Revision	VER_BAE
Date	1-11-2006_11:34	Filename	PSU
		Previous page	1
		Page / of	14 / 15



TC Electronic A/S		Designer LHO
Title EIO3	Module title MECHANICAL	
Number P19331	Revision VER_BAE	Previous page 1
Date 1-11-2006 11:34	Filename MECHANICAL	Page / of 15 / 15