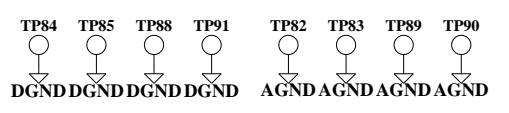
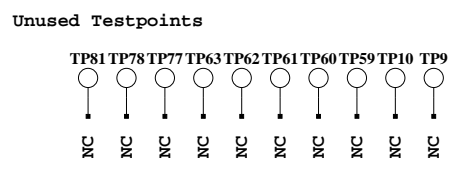
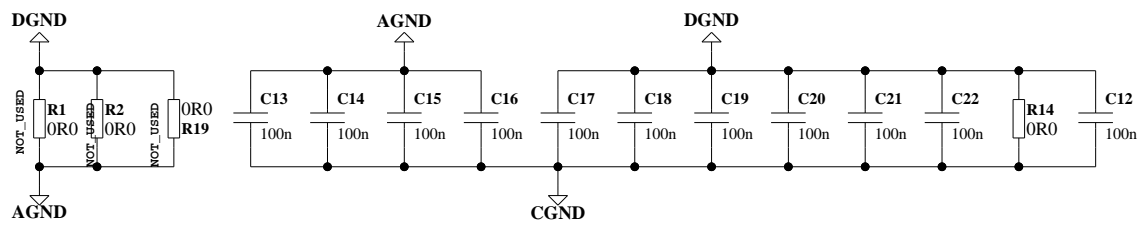
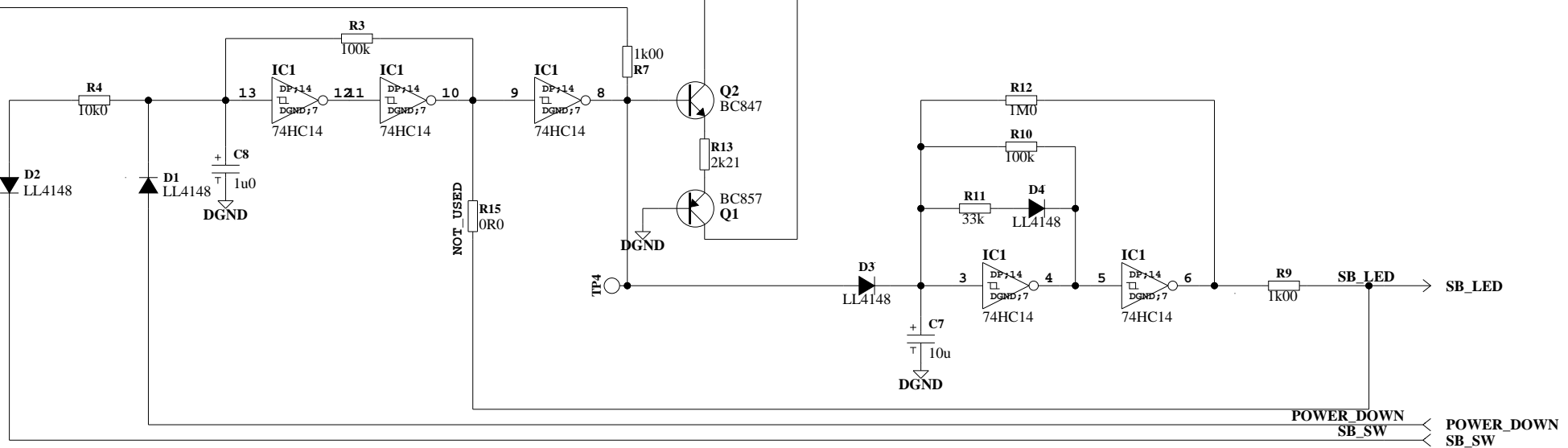
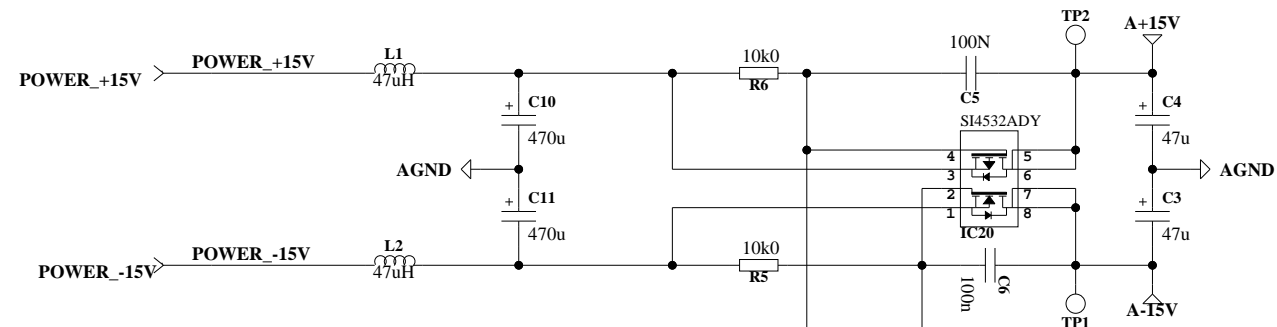
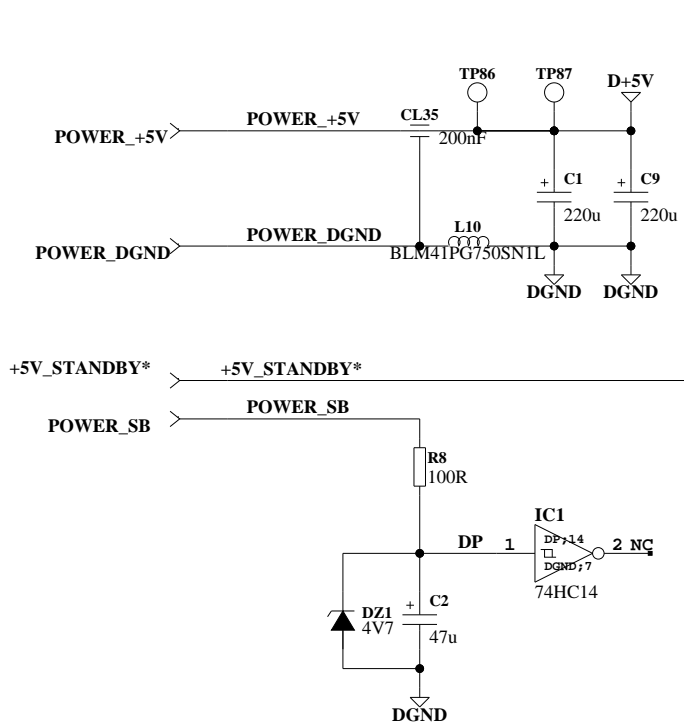
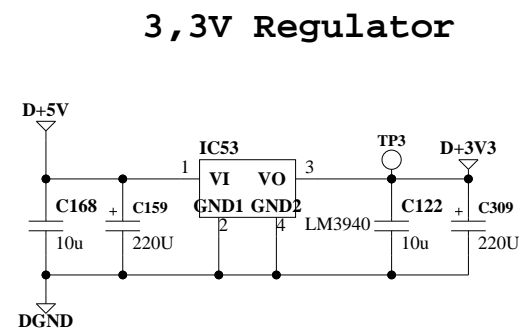
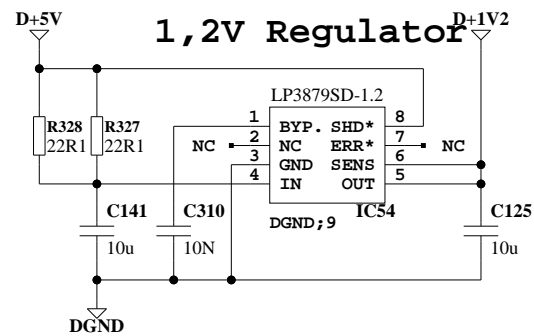
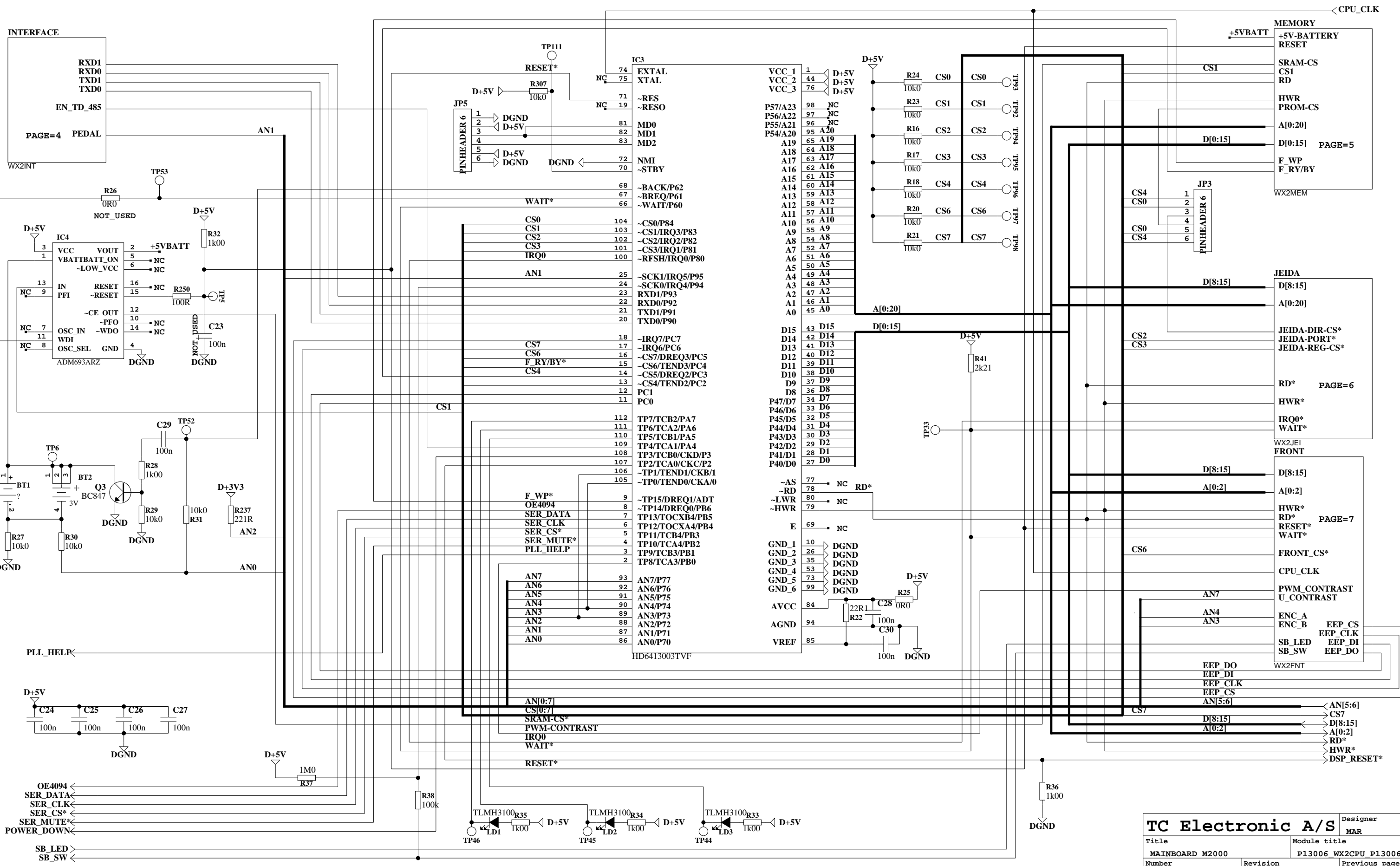


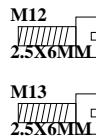
<b>TC Electronic A/S</b>		Designer MAR
Title MAINBOARD M2000	Module title P13006-D_P13006-DC	
Number P13006	Revision DCB	Previous page 1
Date 16-2-2009 19:17	Filename	Page / of 1 / 15



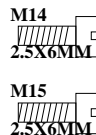
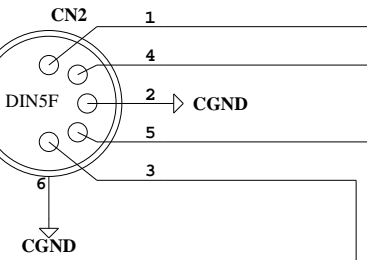
<b>TC Electronic A/S</b>		Designer MAR
Title MAINBOARD M2000		Module title P13006_WX2POW_P13006-DC_1
Number P13006	Revision DCB	Previous page 1
Date 16-2-2009 19:17	Filename	Page / of 2 / 15



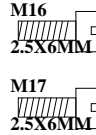
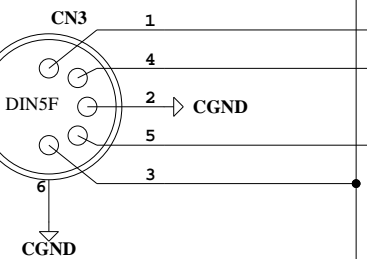
<b>TC Electronic A/S</b>		Designer MAR
Title MAINBOARD M2000		Module title P13006_WX2CPU_P13006-DC_1
Number P13006	Revision DCB	Previous page 1
Date 16-2-2009 19:17	Filename	Page / of 3 / 15



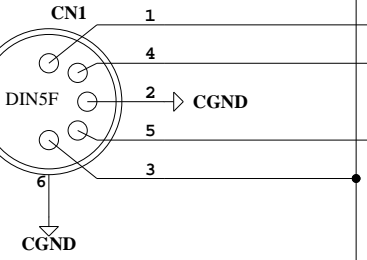
MIDI IN



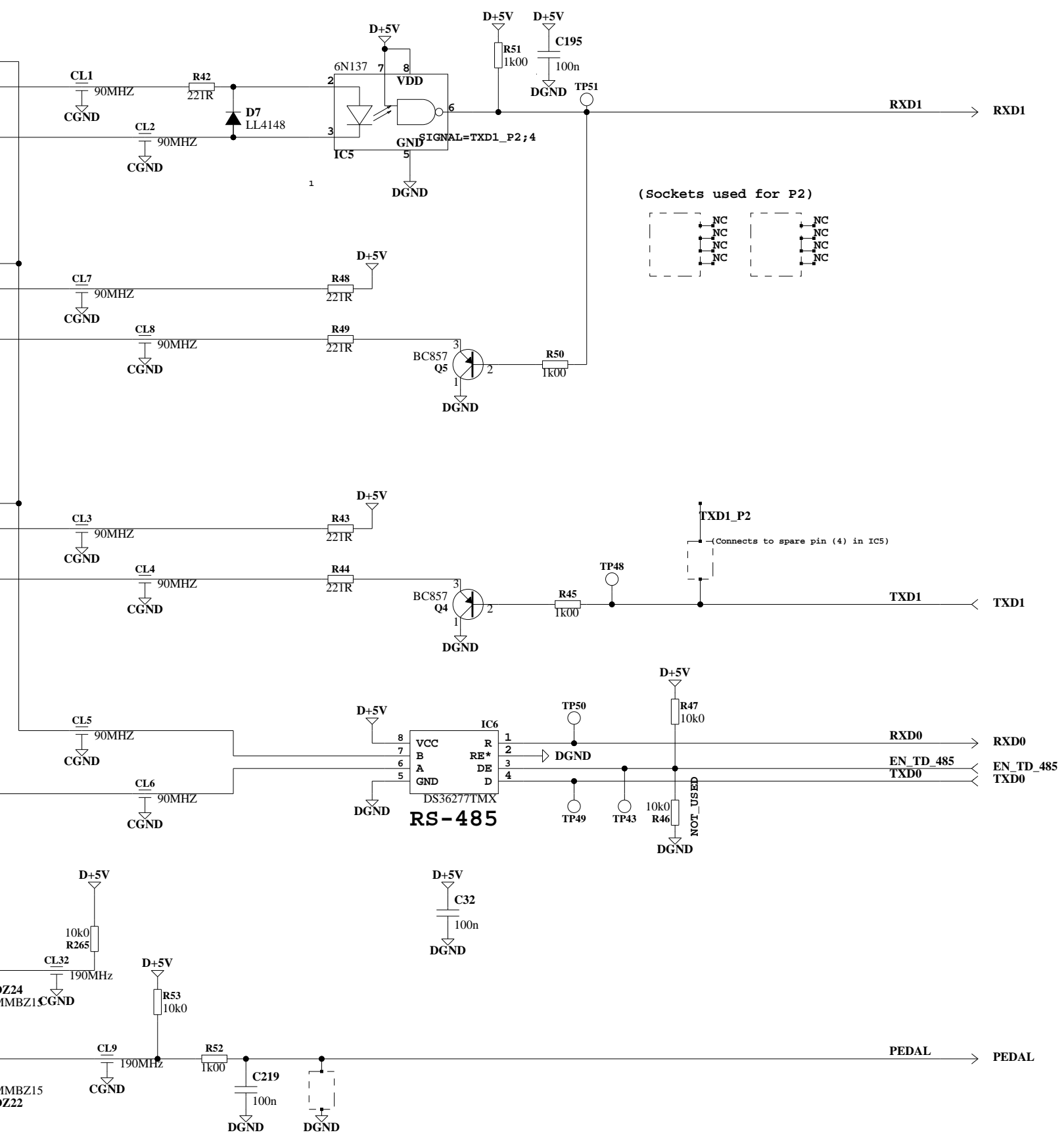
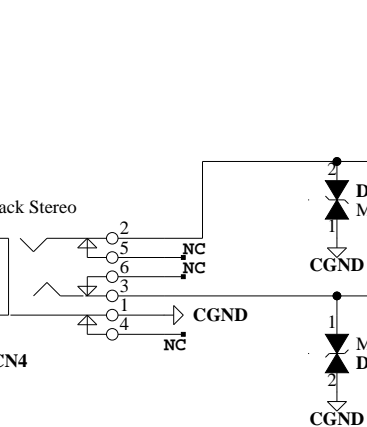
THRU



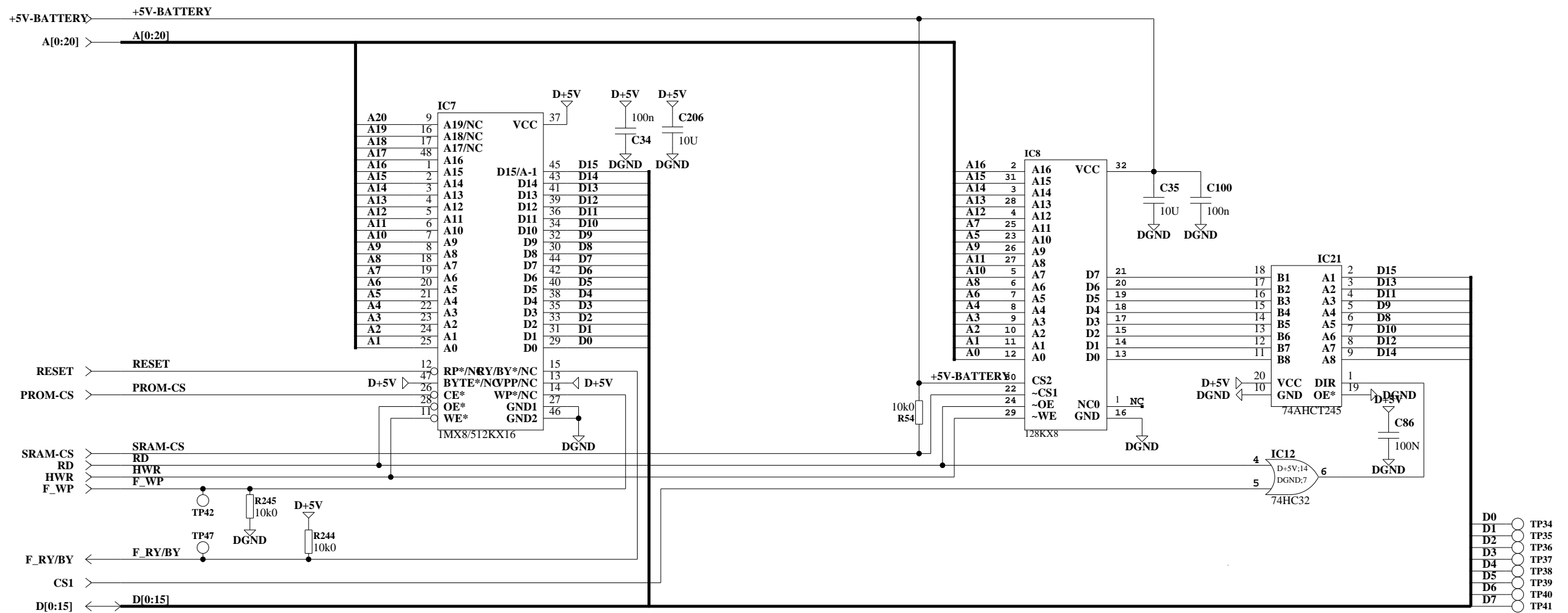
MIDI OUT

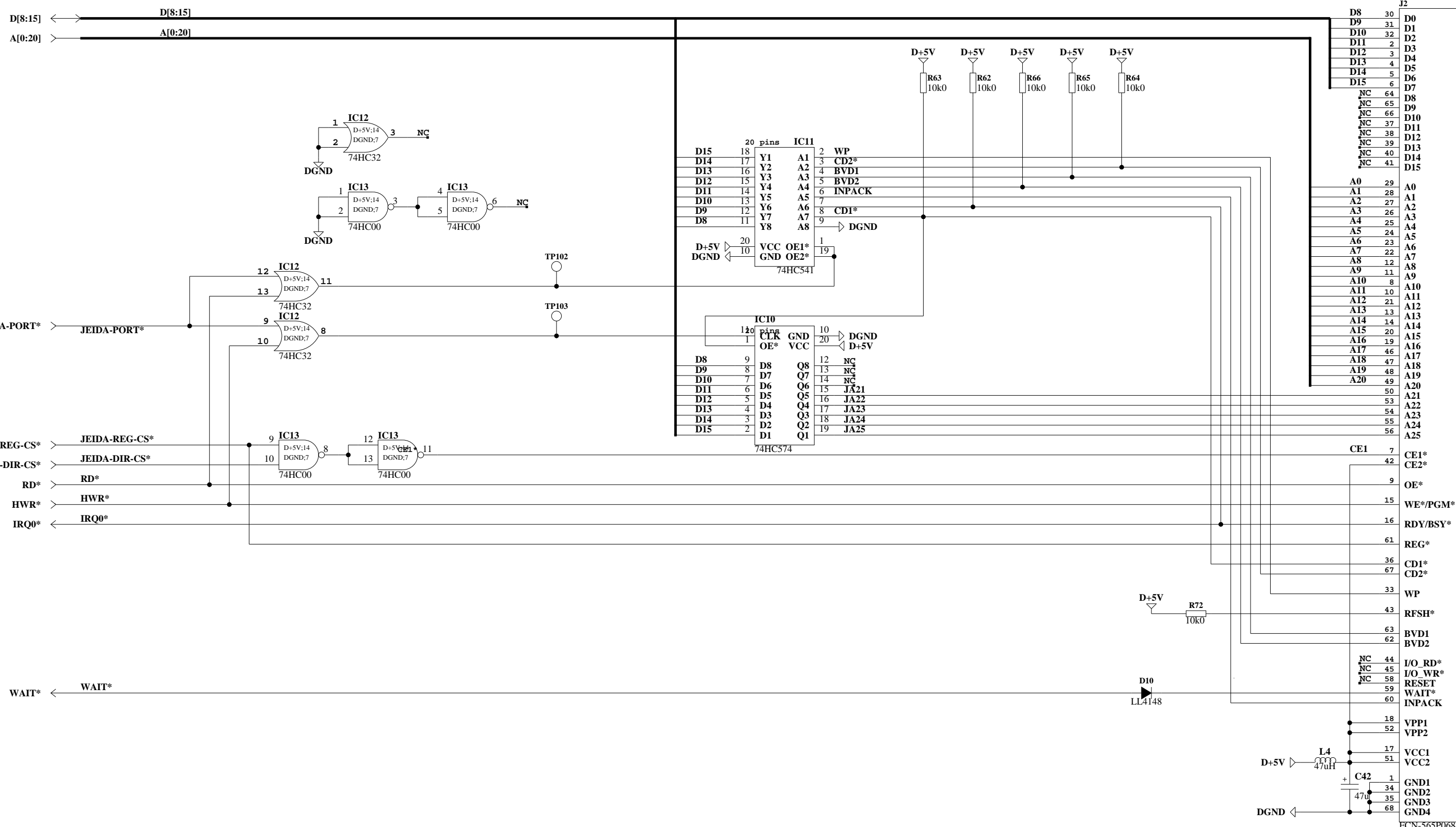


PEDAL

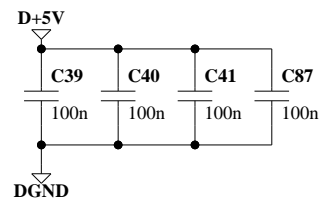
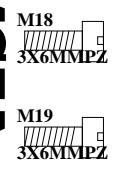


<b>TC Electronic A/S</b>		Designer MAR
Title MAINBOARD M2000		Module title P13006 WX2INT P13006-DC_1
Number P13006	Revision DCB	Previous page 1
Date 16-2-2009 19:17	Filename	Page / of 4 / 15



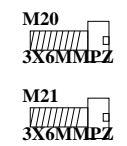
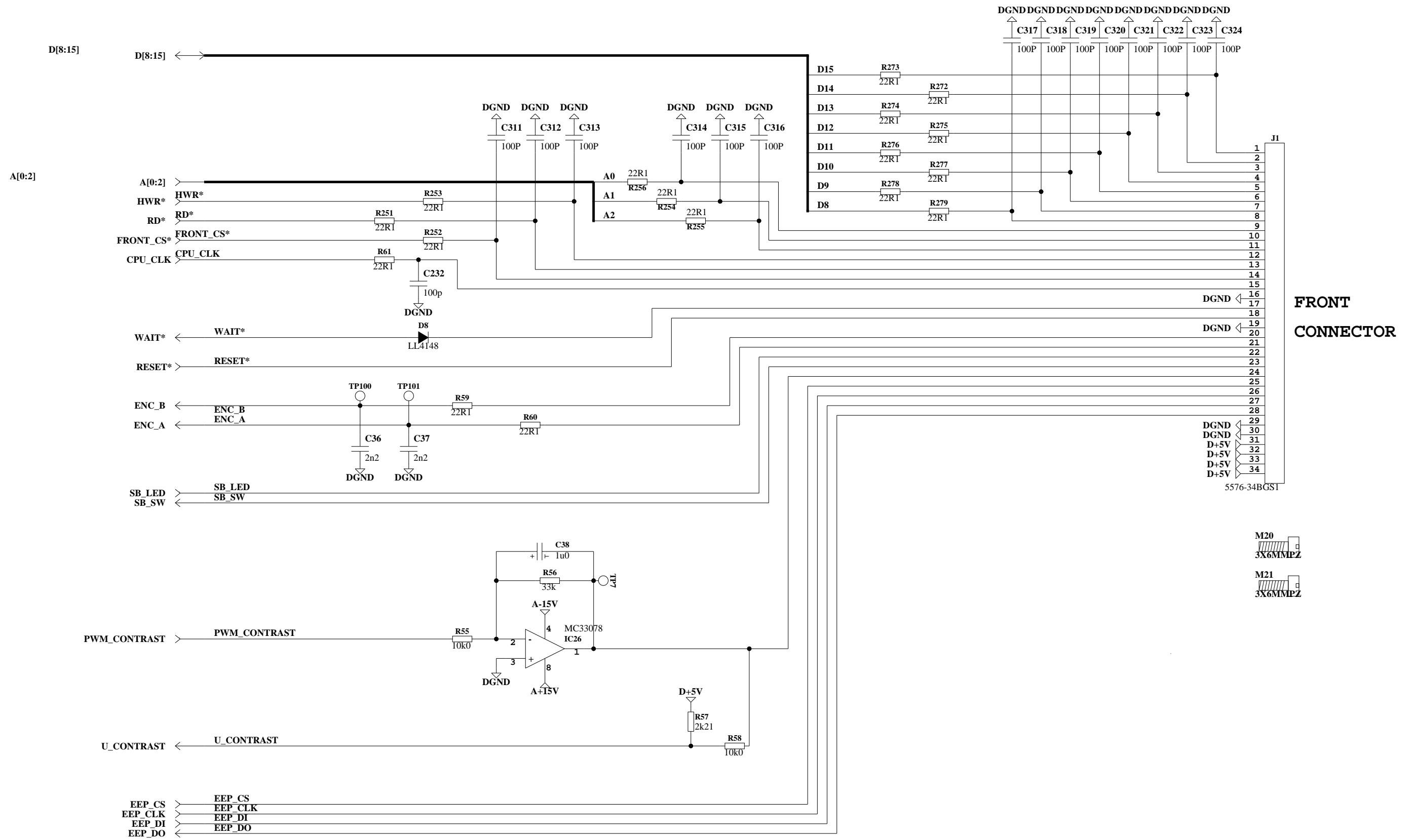


**PCMCIA Type I**

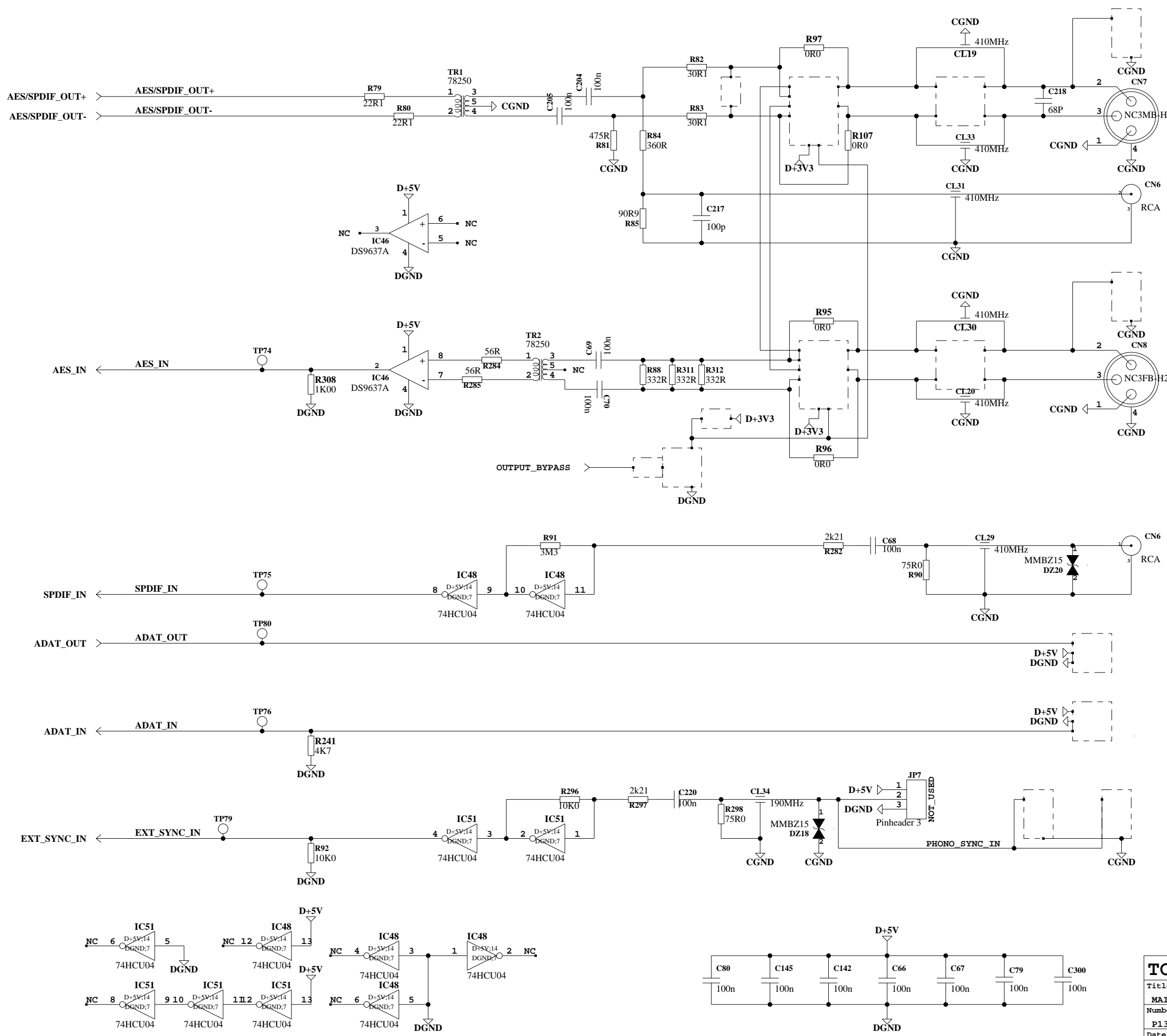


FCN-565P068-G/C-V4

<b>TC Electronic A/S</b>		Designer
NOT USED		MAR
Title	Module title	
MAINBOARD M2000	P13006 WX2JEI P13006-DC_1	
Number	Revision	Previous page
*DRMAX MAIN BOARD* P13006	DCB	1
Date	Filename	Page / of
16-2-2009 19:17		6 / 15



<b>TC Electronic A/S</b>		Designer MAR
Title MAINBOARD M2000	Module title P13006 WX2FNT P13006-DC_1	
Number P13006	Revision DCB	Previous page 1
Date 16-2-2009 19:17	Filename	Page / of 7 / 15



Optional AES3id  
BNC OUT

AES/EBU  
XLR OUT

S/PDIF  
RCA PHONO OUT

Optional AES3id  
BNC IN

AES/EBU  
XLR IN

S/PDIF  
RCA PHONO IN

ADAT  
OPTO OUT

ADAT  
OPTO IN

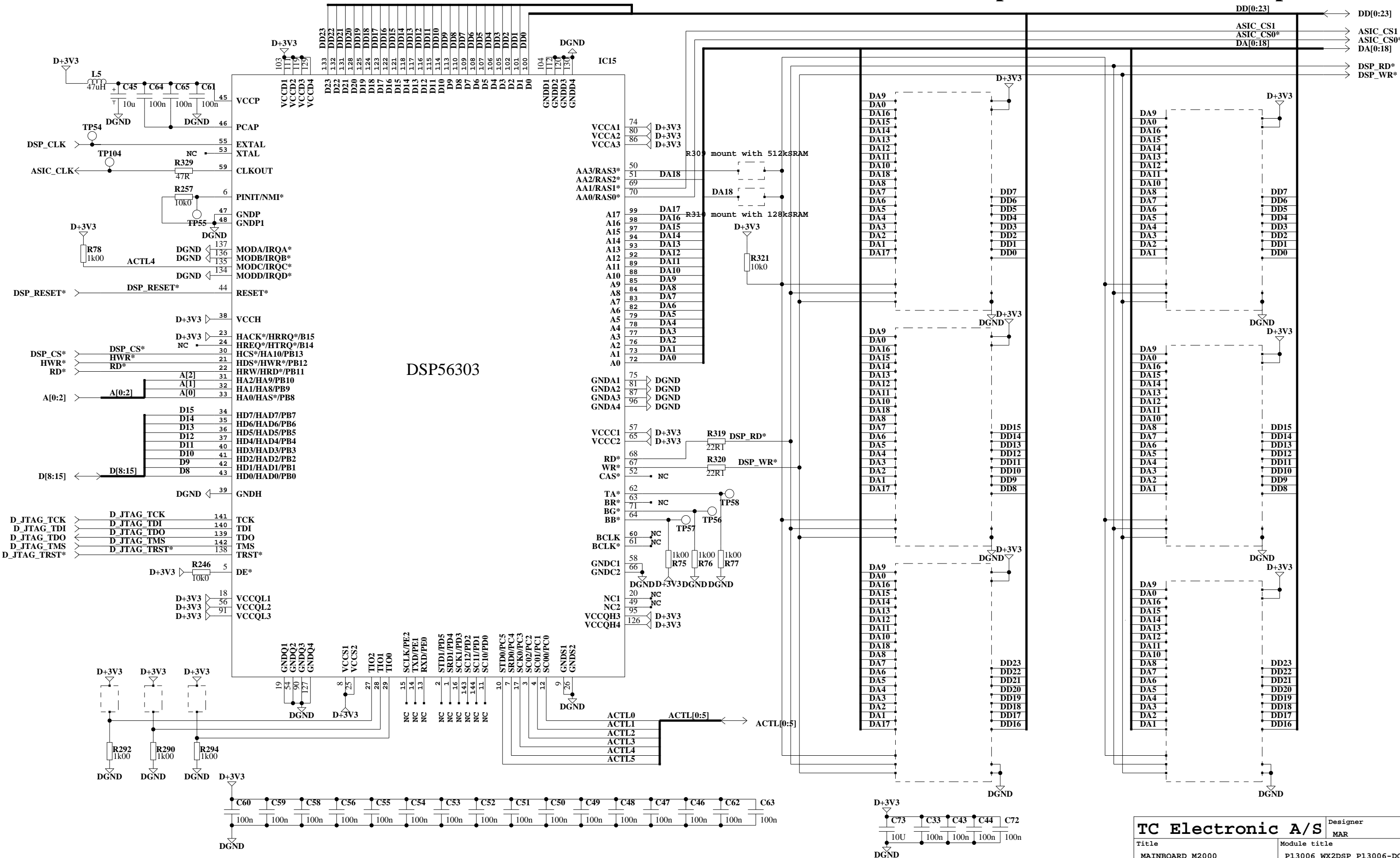
SYNC IN

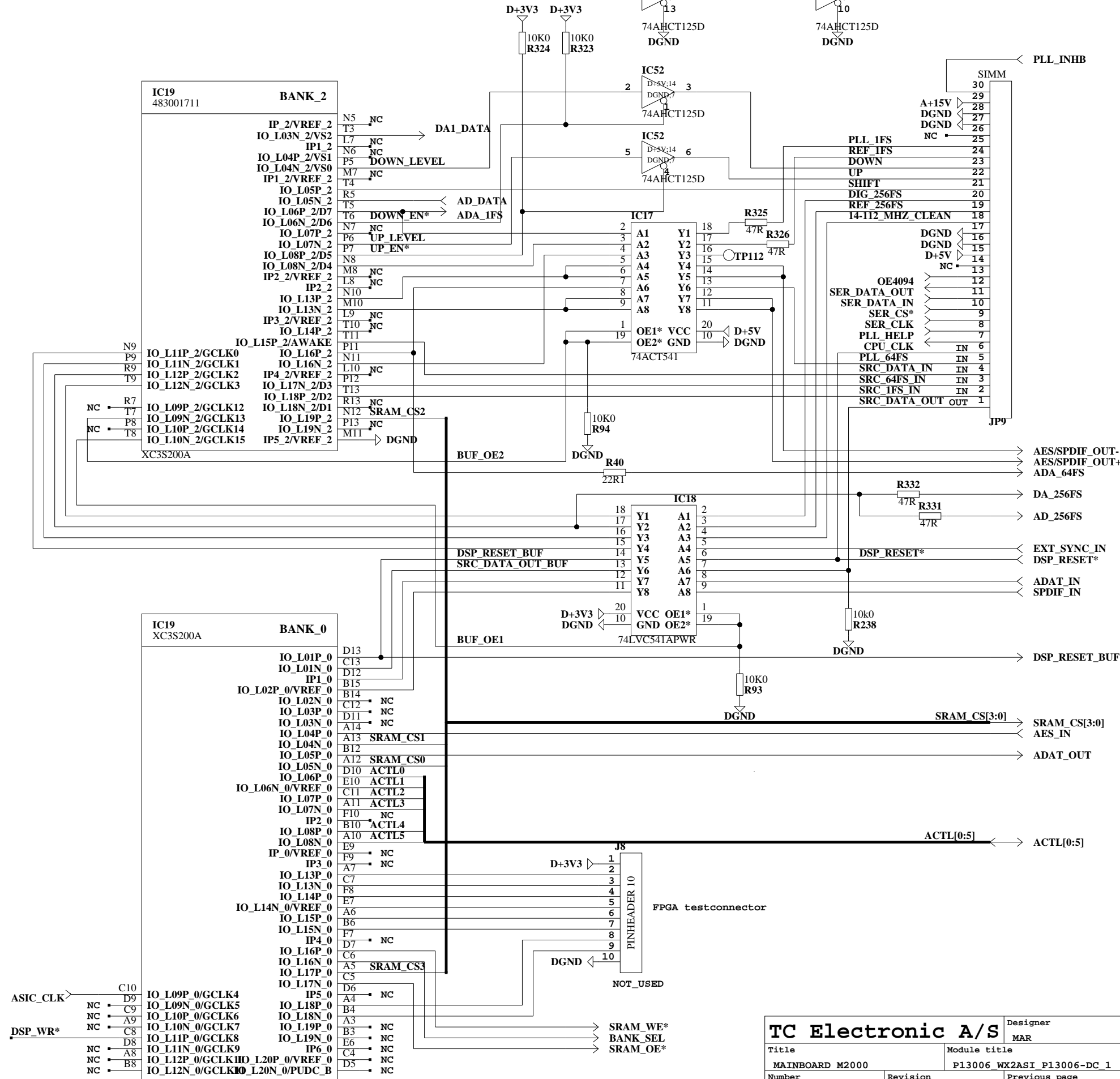
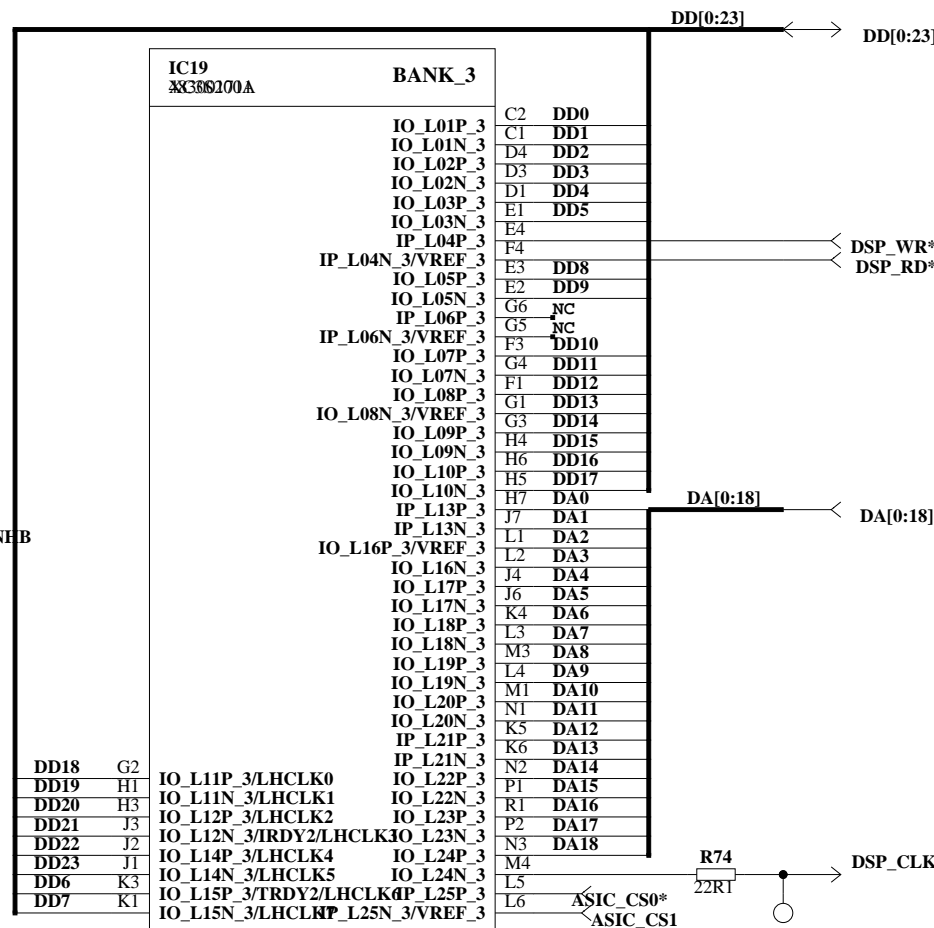
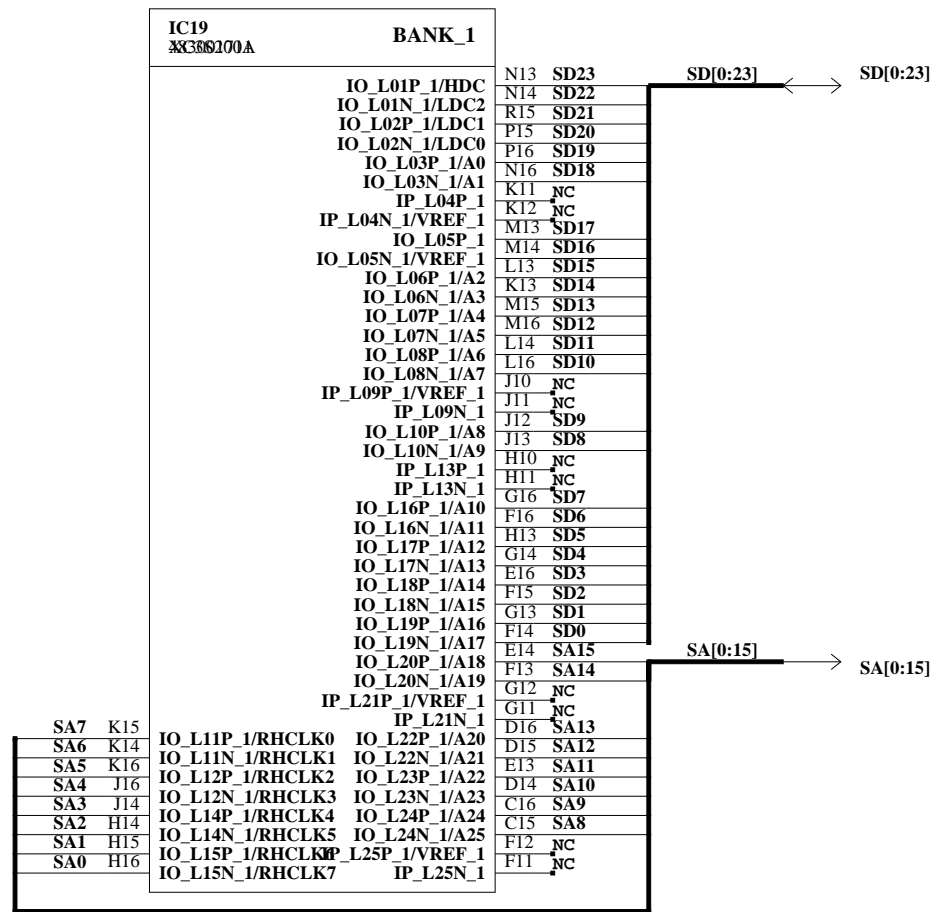
<b>TC Electronic A/S</b>		Designer MAR
Title MAINBOARD M2000		Module title P13006_WX2DGI_P13006-DC_1
Number P13006	Revision DCB	Previous page 1
Date 16-2-2009 19:17	Filename	Page / of 8 / 15



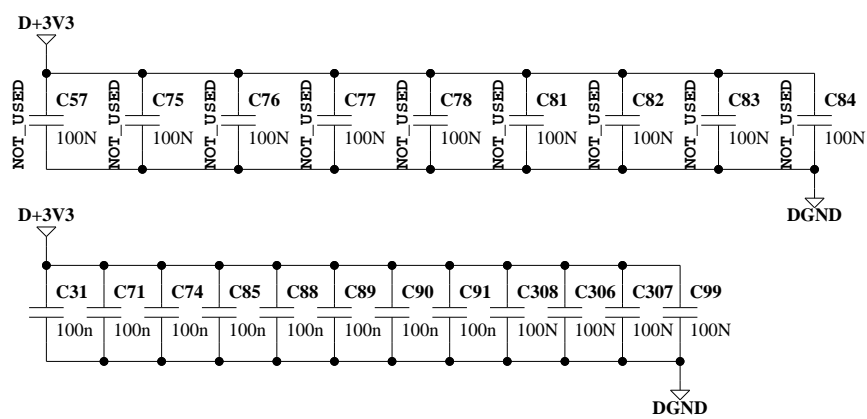
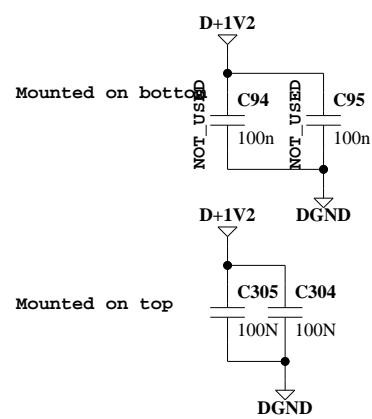
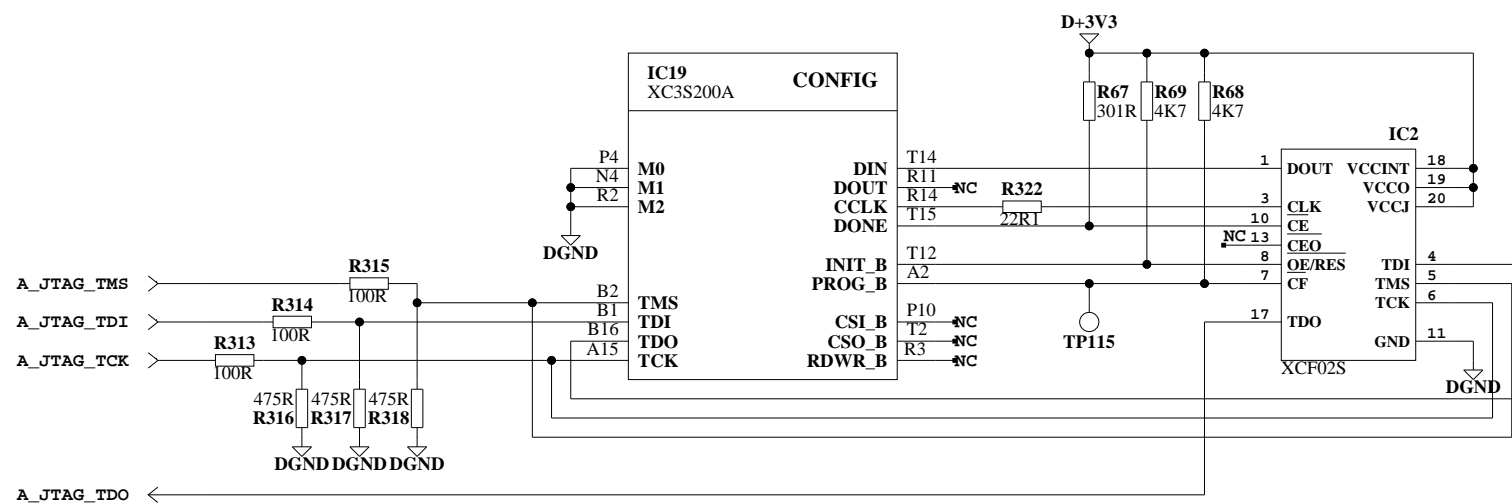
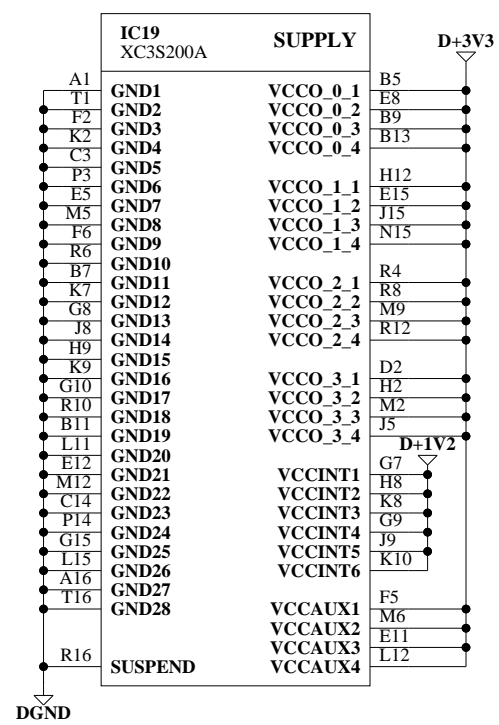
# 512k SRAM option

# 128k SRAM option

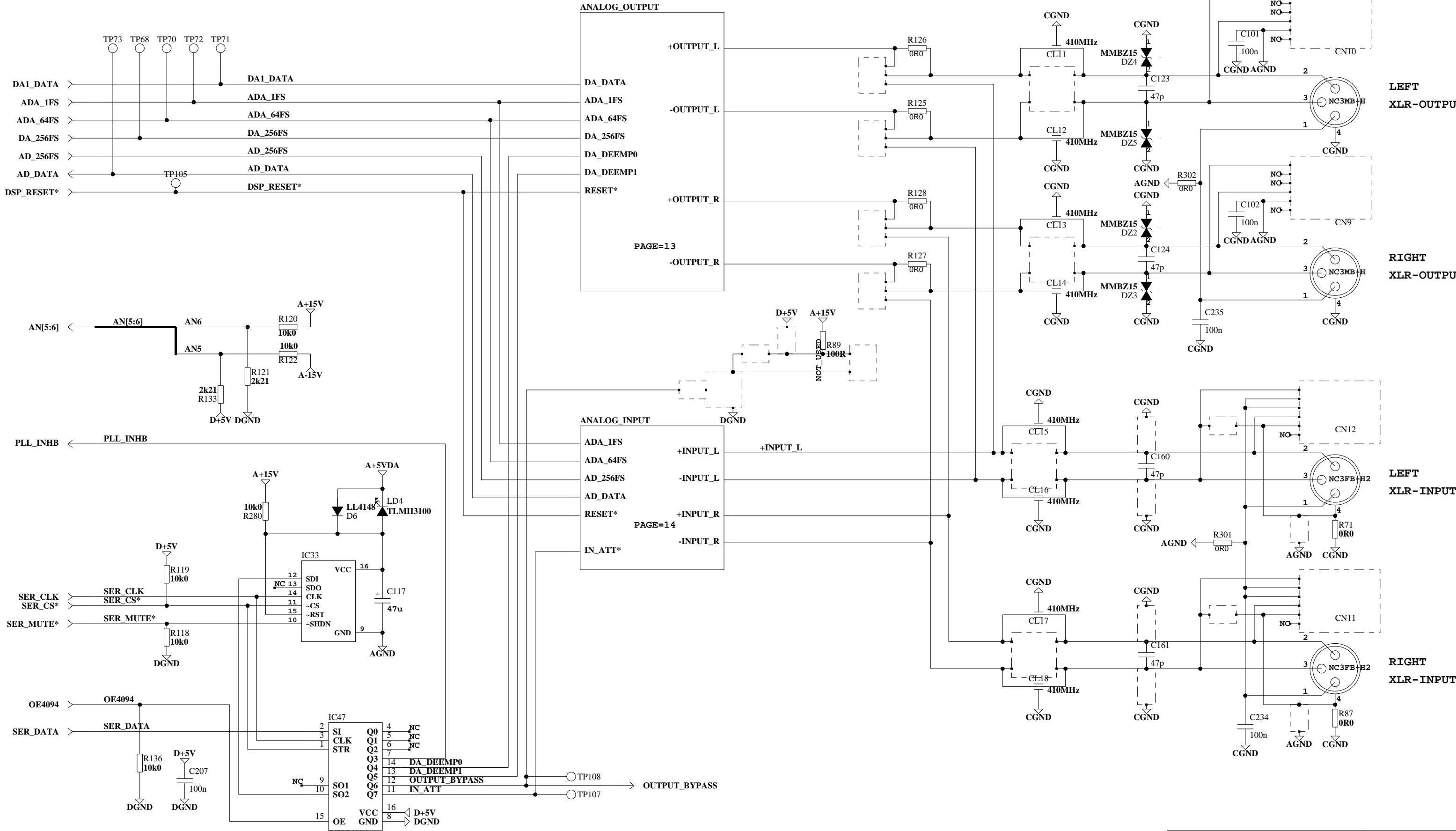




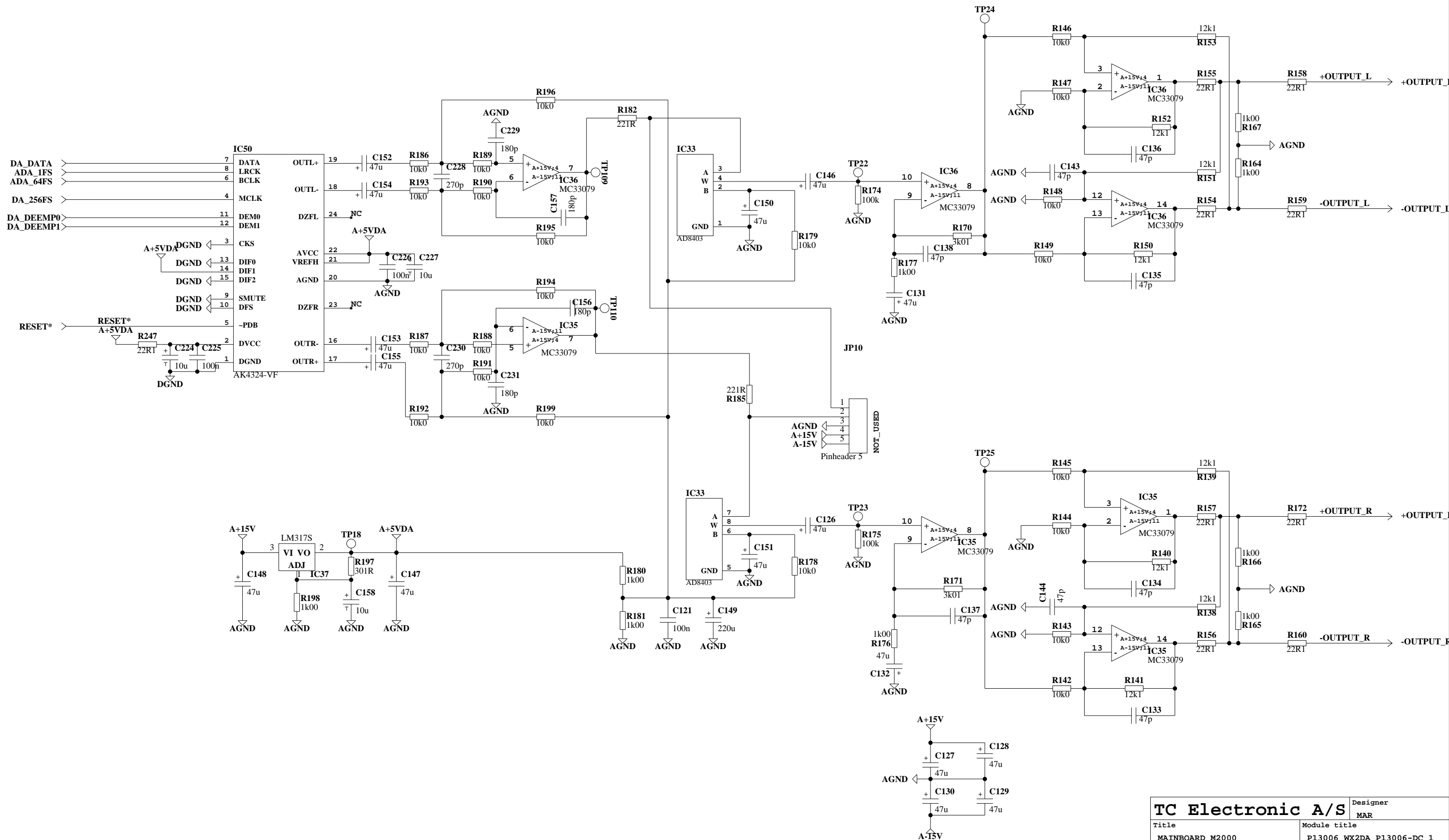
<b>TC Electronic A/S</b>		Designer MAR
Title MAINBOARD M2000	Module title P13006_WX2ASI_P13006-DC_1	
Number P13006	Revision DCB	Previous page 1
Date 16-2-2009 19:17	Filename	Page / of 10 / 15



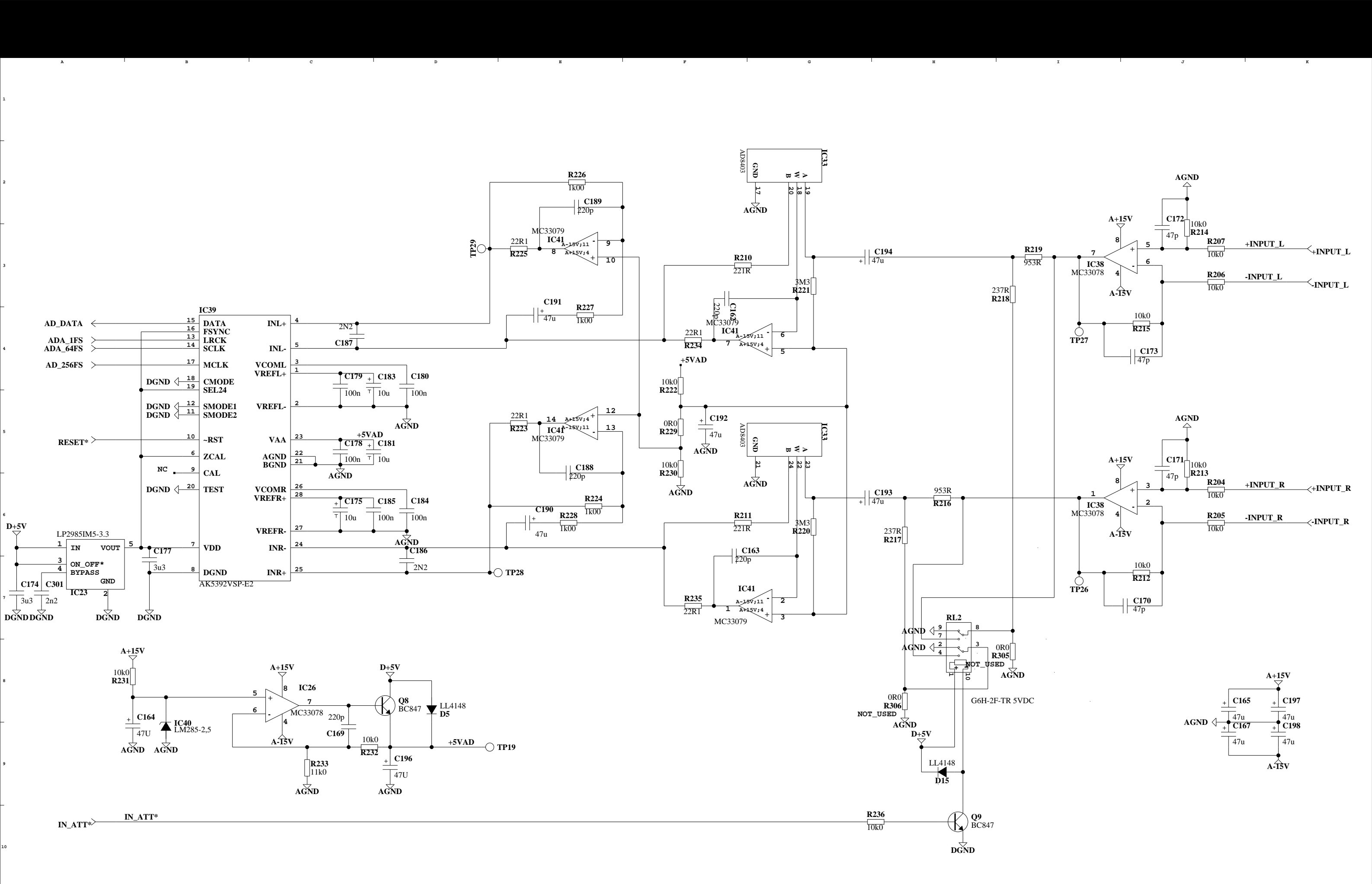
<b>TC Electronic A/S</b>		Designer MAR
Title MAINBOARD M2000	Module title P13006 WX2ASI P13006-DC_1	
Number P13006	Revision DCB	Previous page 1
Date 16-2-2009 19:17	Filename	Page / of 11 / 15



<b>TC Electronic A/S</b>		Designer MAR
Title MAINBOARD M2000	Module title P13006 WX2ADA P13006-DC_1	
Number P13006	Revision DCB	Previous page 1
Date 16-2-2009 19:17	Filename	Page / of 12 / 15



<b>TC Electronic A/S</b>		Designer MAR
Title MAINBOARD M2000		Module title P13006_WX2DA_P13006-DC_1
Number P13006	Revision DCB	Previous page 1
Date 16-2-2009 19:17	Filename	Page / of 13 / 15



<b>TC Electronic A/S</b>		Designer MAR
Title MAINBOARD M2000		Module title P13006_WX2AD_P13006-DC_1
Number P13006	Revision DCB	Previous page 1
Date 16-2-2009 19:17	Filename	Page / of 14 / 15

