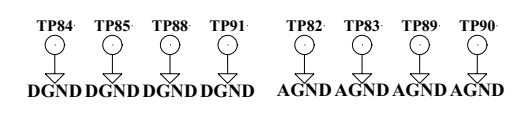
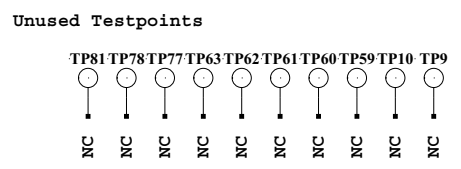
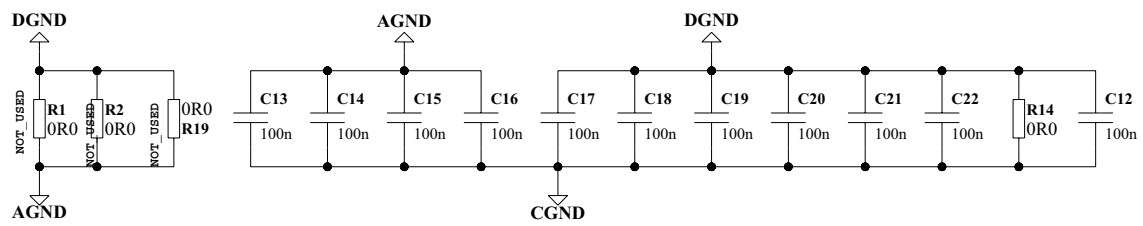
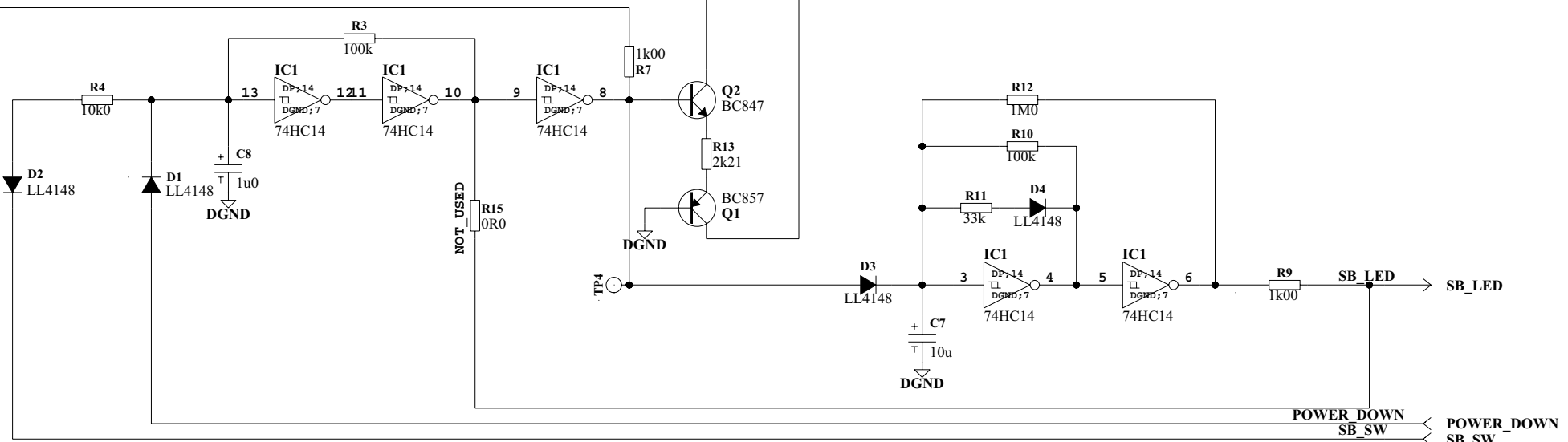
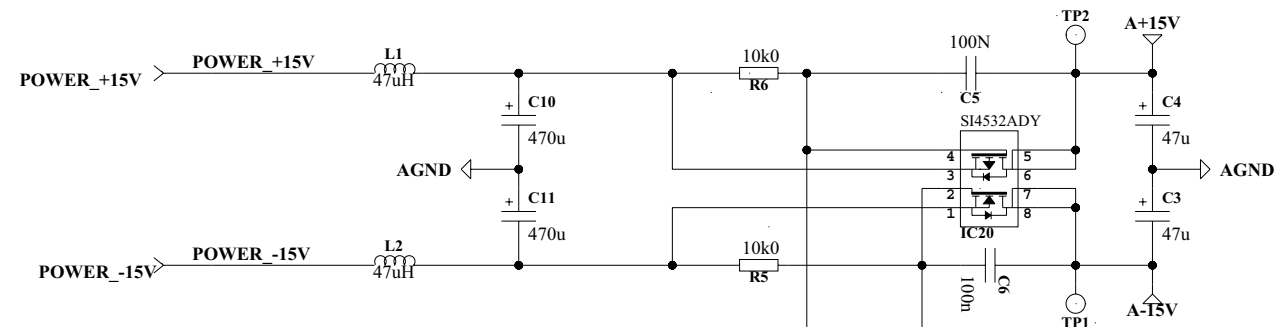
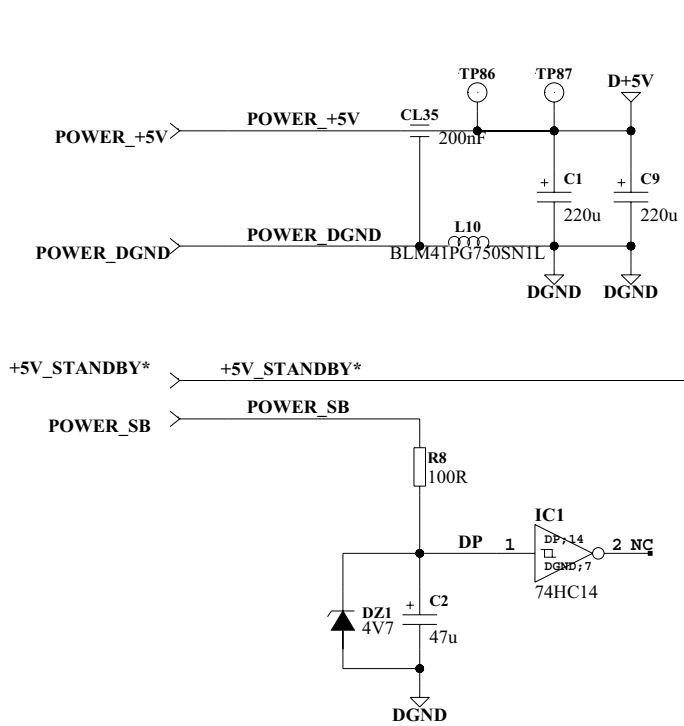
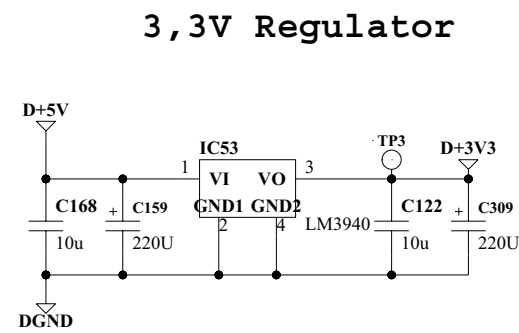
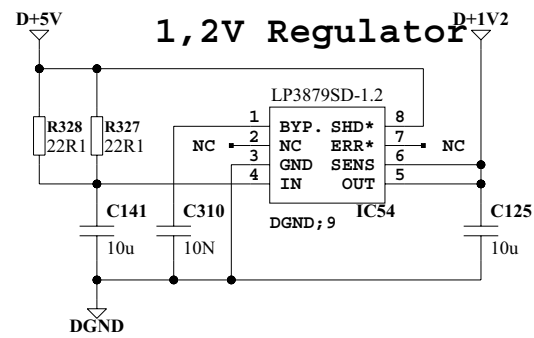
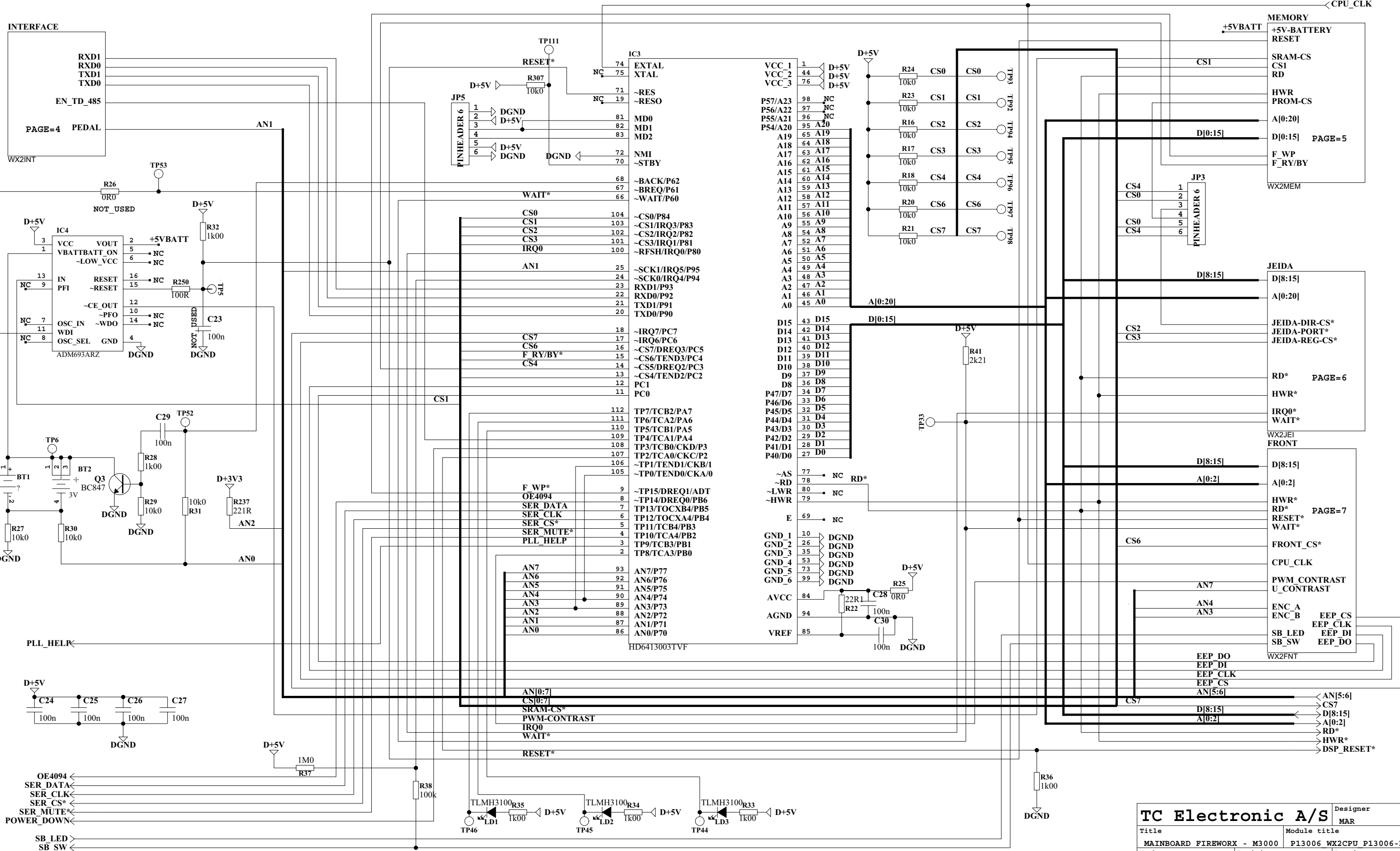
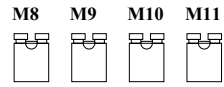


- M1: P13006-C
- M6: EMC BRACKET WIZARD 2
- M3: 2.5X6MM
- M5: 2.5X6MM
- M2: 2.5X6MM
- M4: 2.5X6MM
- M22: 2.5X5MM
- M25: 2.5X5MM
- M28: 2.5X5MM
- M23: 2.5X5MM
- M26: 2.5X5MM
- M29: 2.5X5MM
- M24: 2.5X5MM
- M27: 2.5X5MM
- M30: 2.5X5MM
- M31: PSTE-3-01
- M32: PSTE-3-01

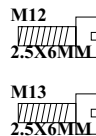
TC Electronic A/S		Designer
Title		MAR
MAINBOARD FIREWORX - M3000		Module title
P13006		P13006-D P13006-DE
Number	Revision	Previous page
P13006	DEA	1
Date	Filename	Page / of
23-3-2008 19:35		1 / 15



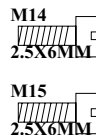
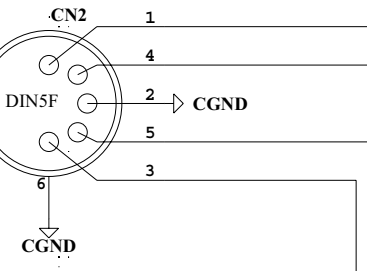
TC Electronic A/S		Designer MAR
Title MAINBOARD FIREWORX - M3000		Module title P13006 WX2POW P13006-DE 1
Number P13006	Revision DEA	Previous page 1
Date 23-3-2008 19:35	Filename	Page / of 2 / 15



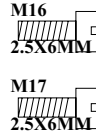
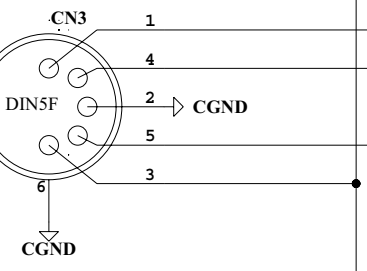
TC Electronic A/S		Designer MAR
Title MAINBOARD FIREWORX - M3000		Module title P13006 WX2CPU P13006-DE 1
Number P13006	Revision DEA	Previous page 1
Date 23-3-2008 19:35	Filename	Page / of 3 / 15



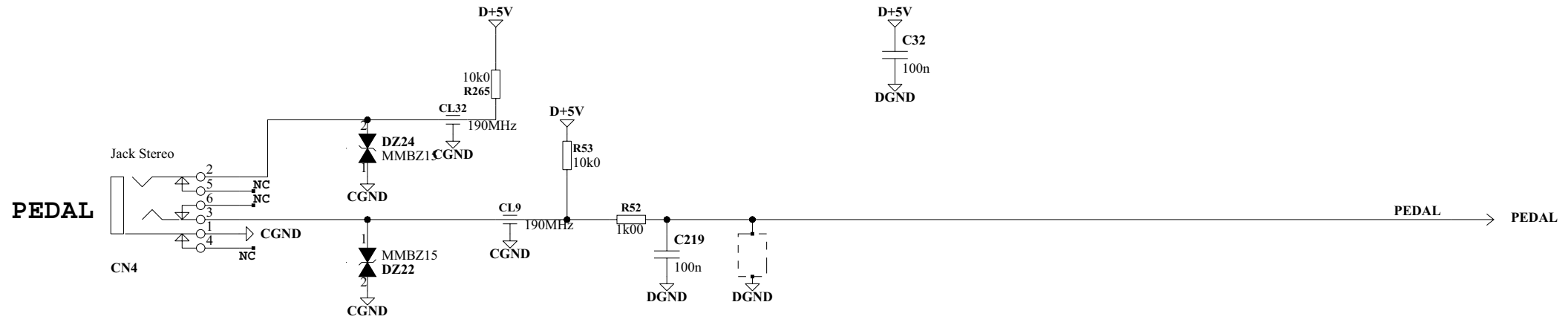
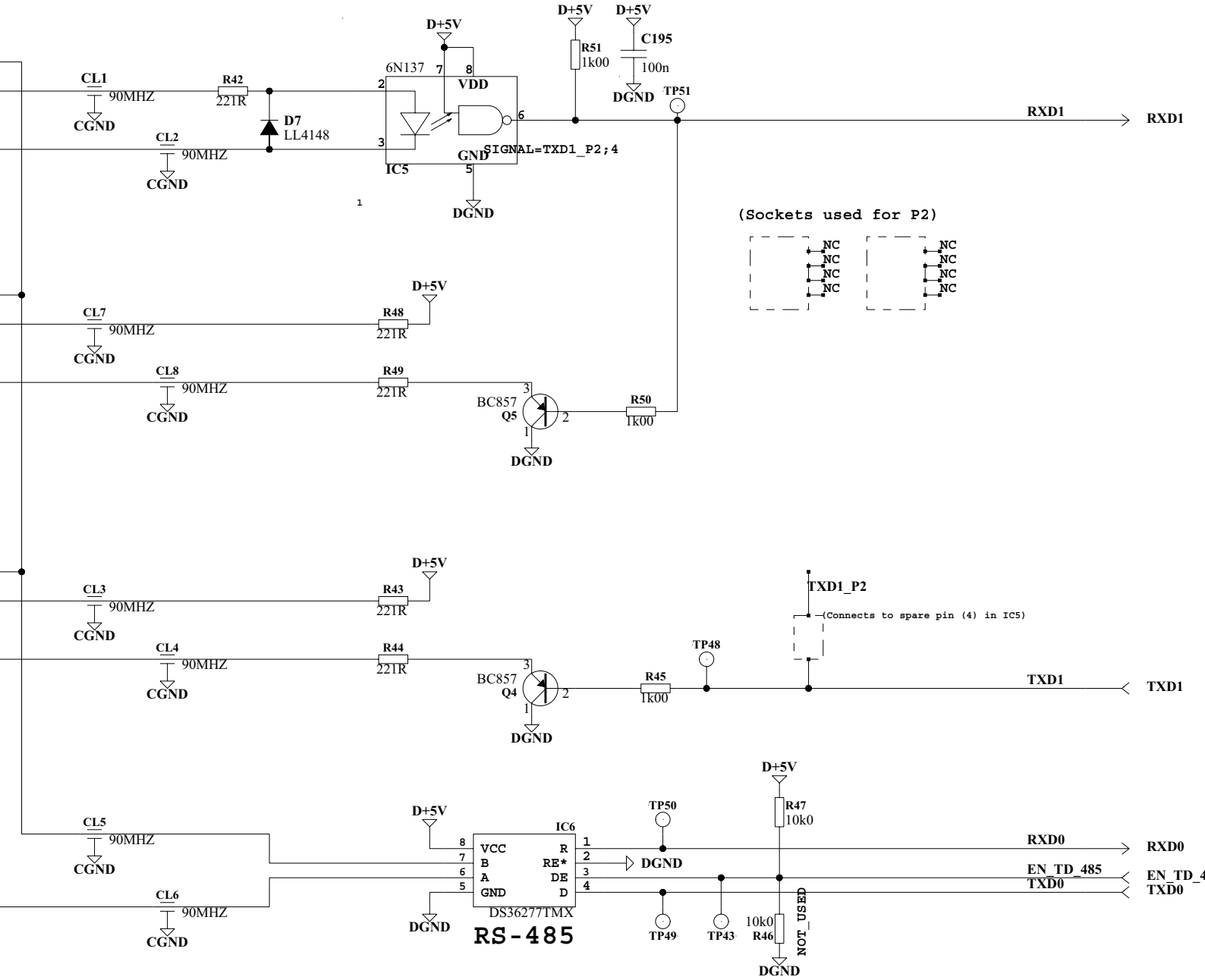
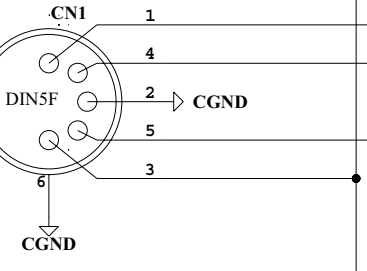
MIDI IN



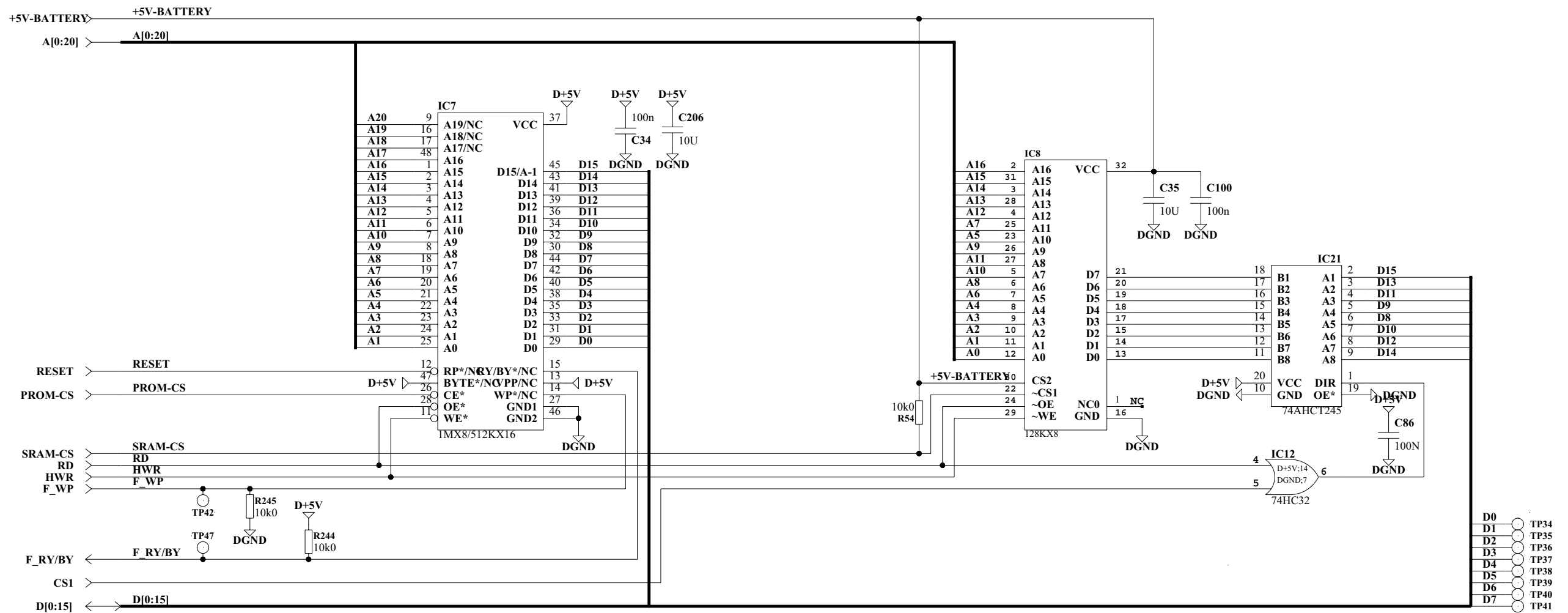
THRU

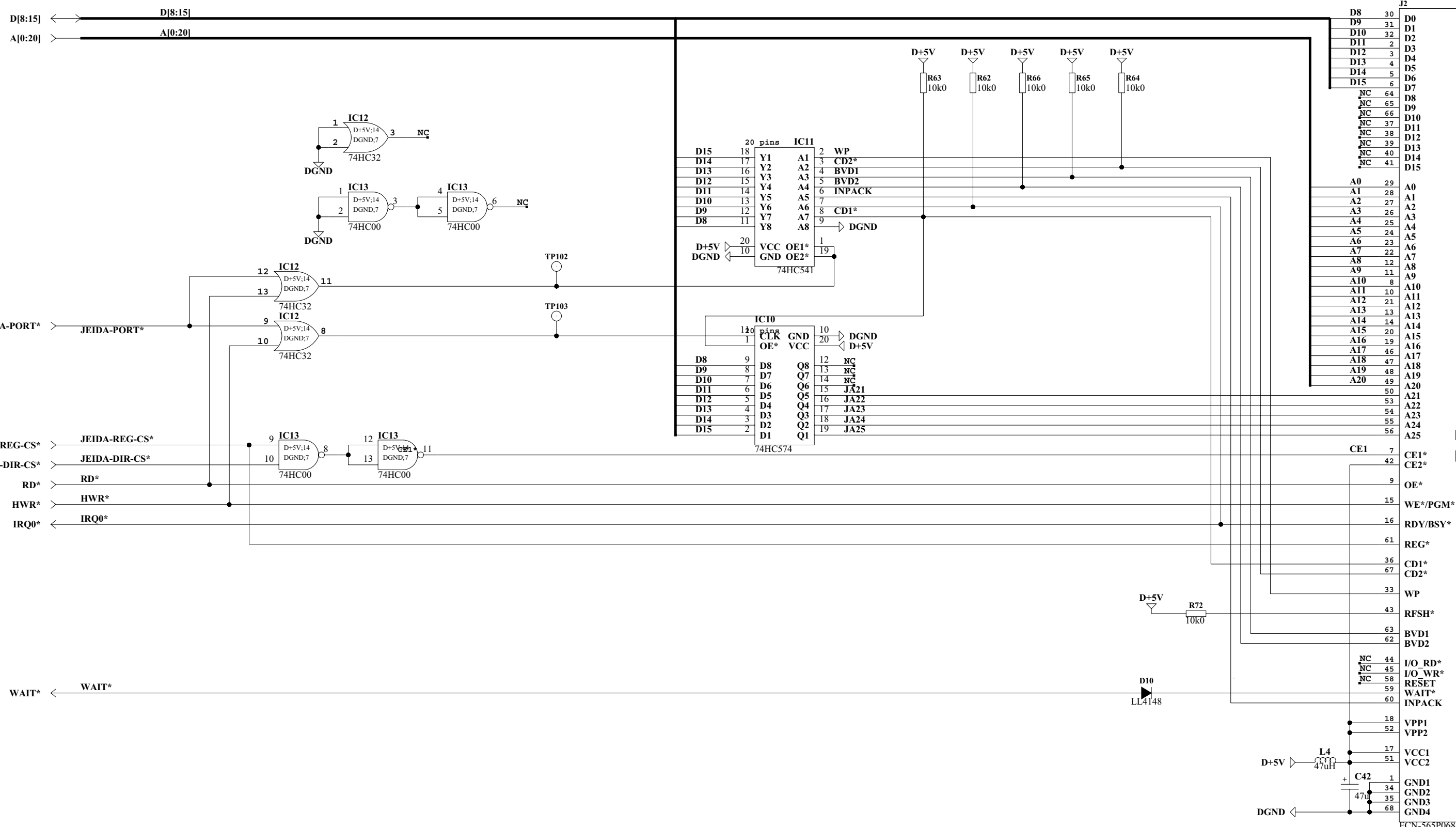


MIDI OUT

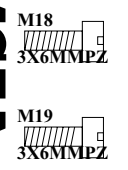


TC Electronic A/S		Designer MAR
Title MAINBOARD FIREWORX - M3000		Module title P13006 WX2INT P13006-DE 1
Number P13006	Revision DEA	Previous page 1
Date 23-3-2008 19:35	Filename	Page / of 4 / 15

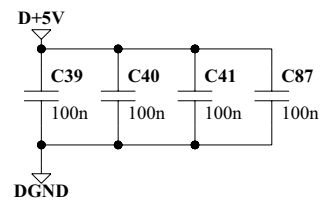




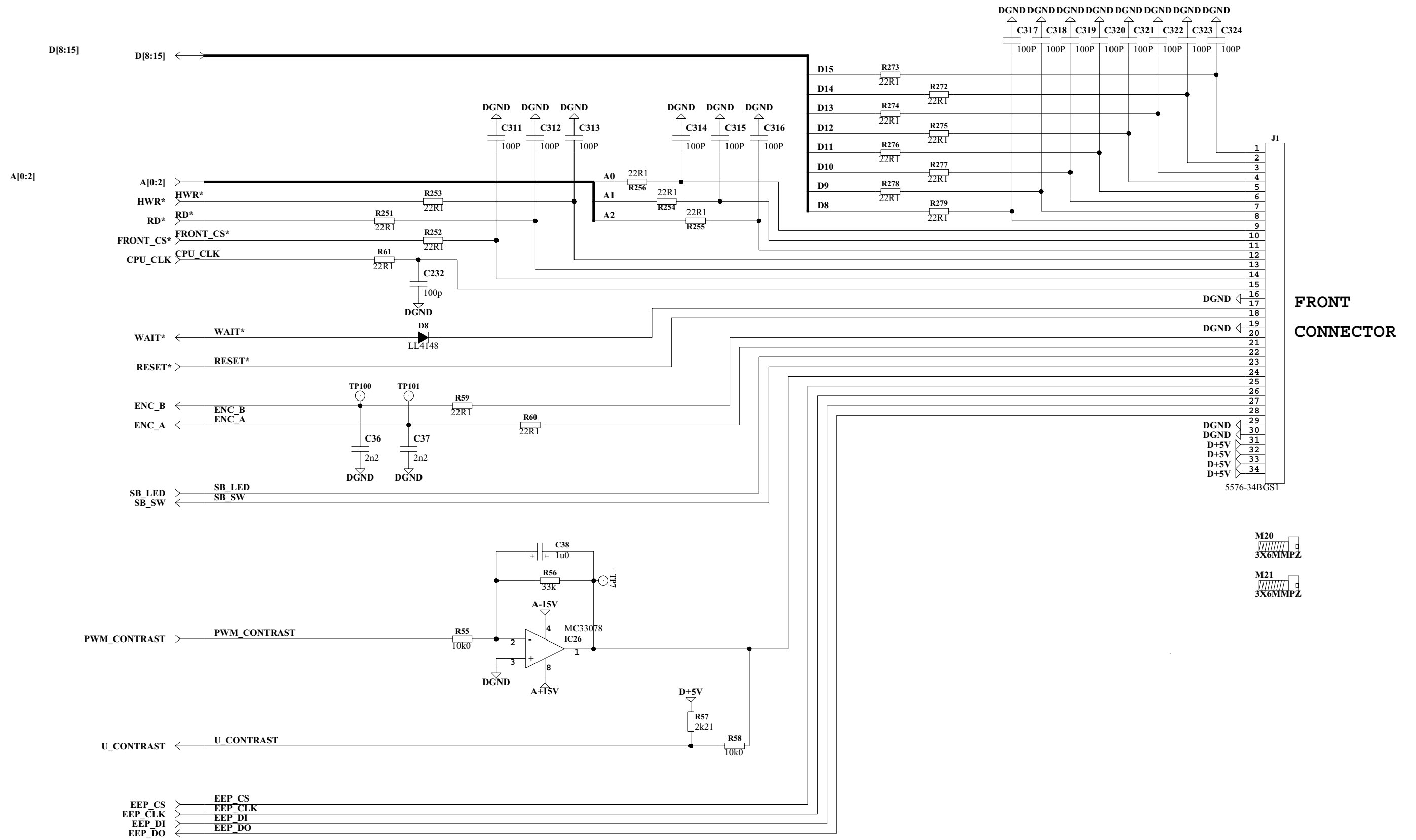
PCMCIA Type I

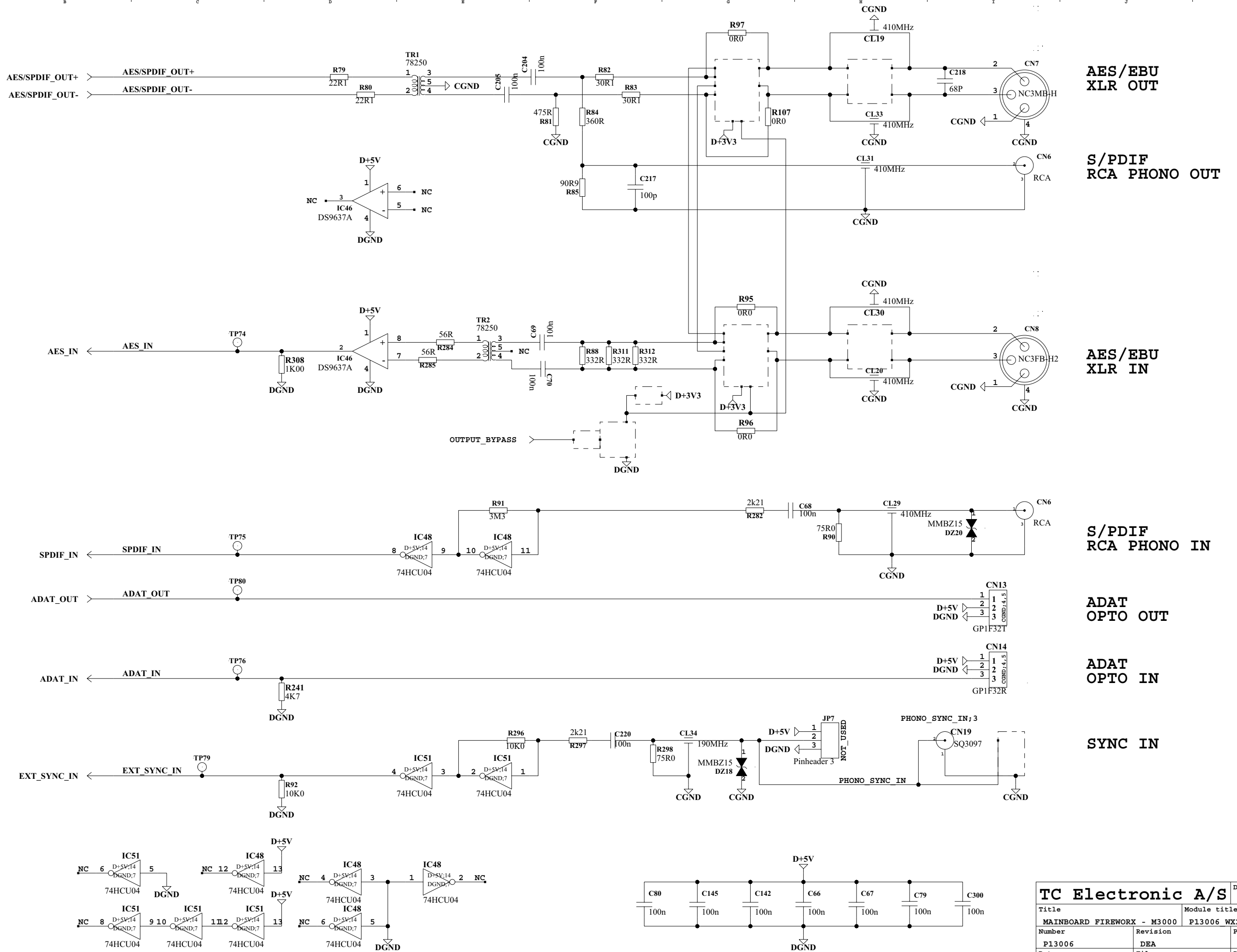


FCN-565P068-G/C-V4



TC Electronic A/S		Designer
NOT USED		MAR
Title	Module title	
MAINBOARD FIREWORX - M3000	P13006 WX2JEI P13006-DE 1	
Number	Revision	Previous page
DRMAX MAIN BOARD P13006	DEA	1
Date	Filename	Page / of
23-3-2008 19:35		6 / 15

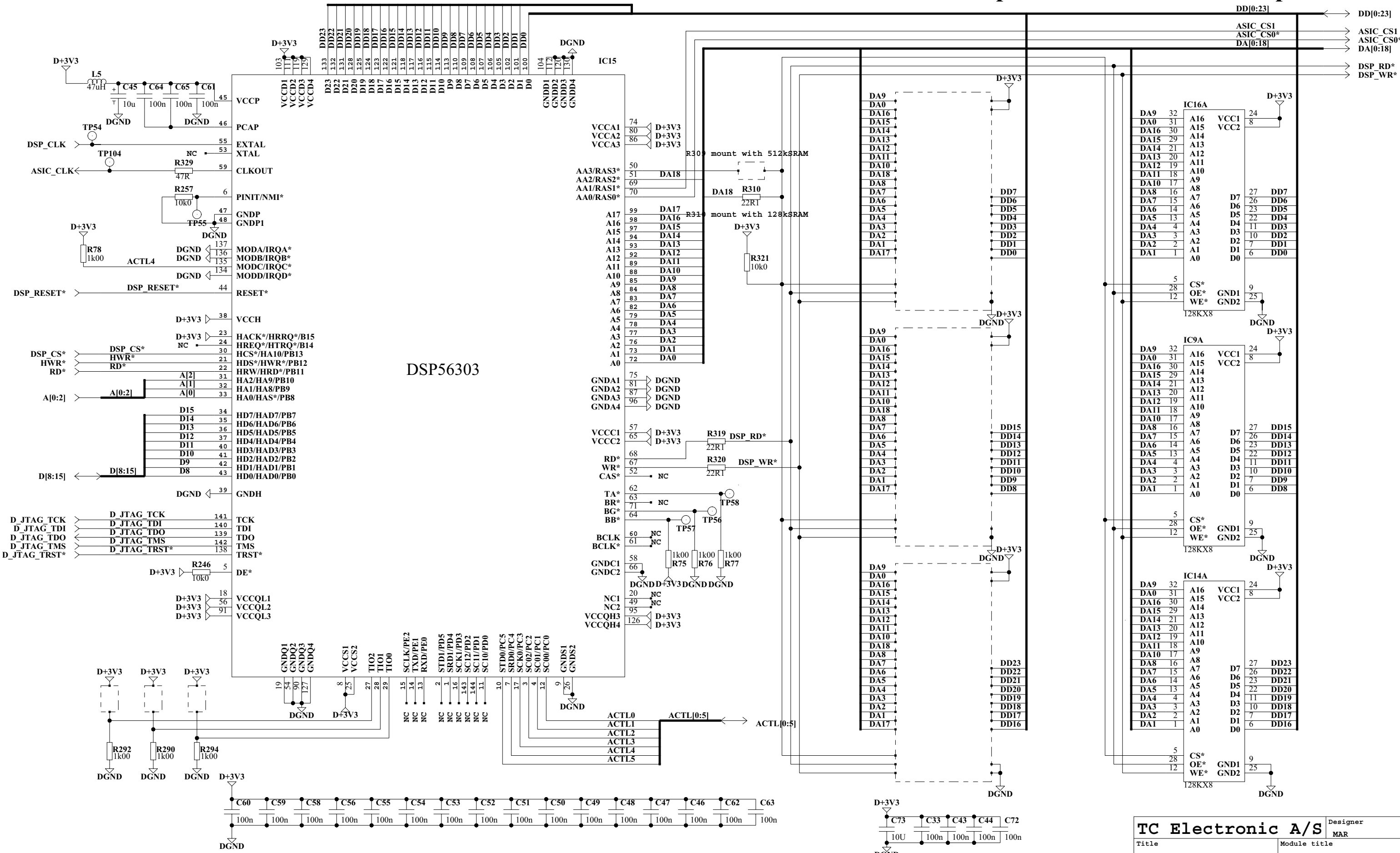




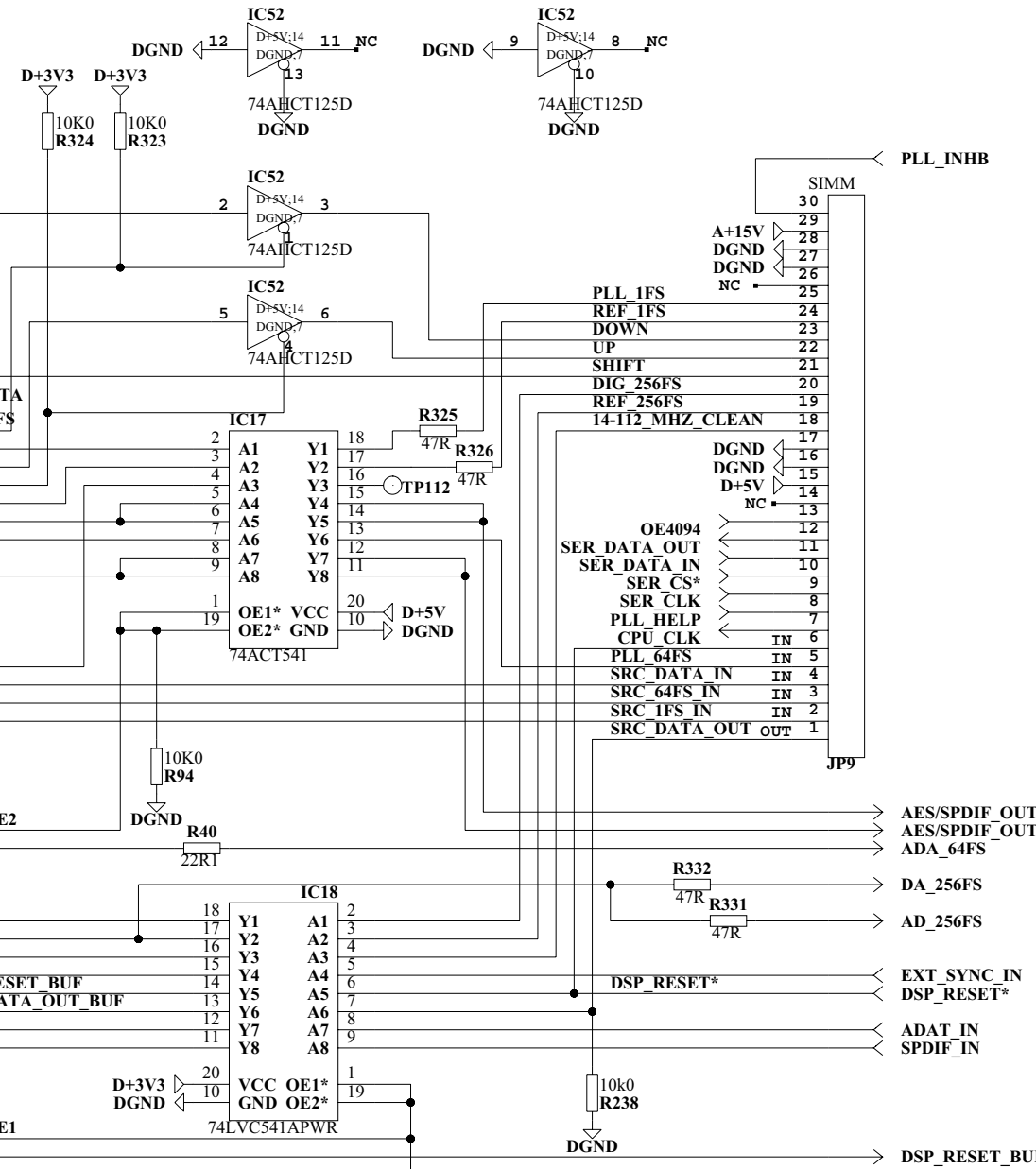
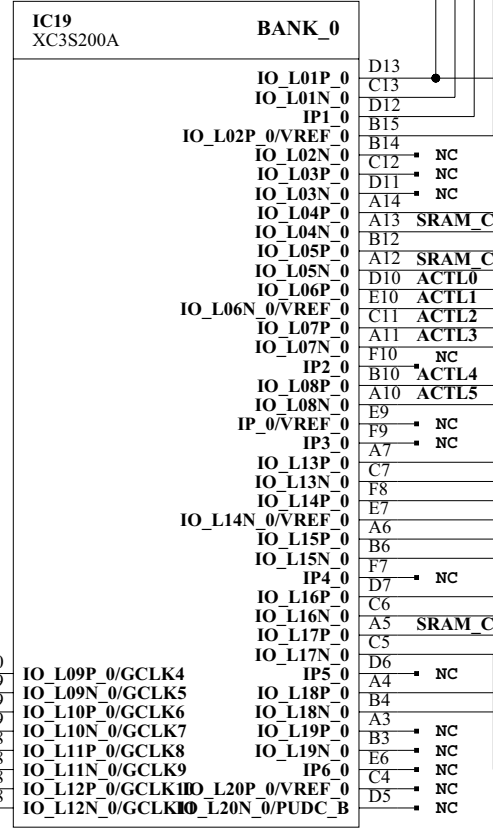
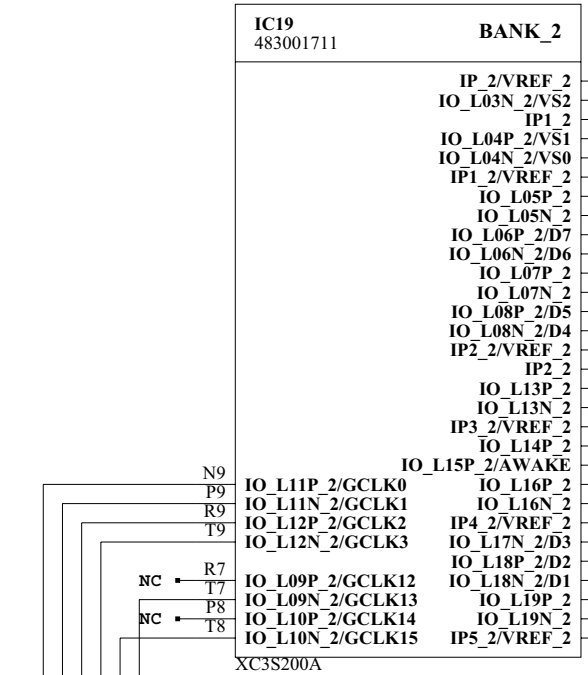
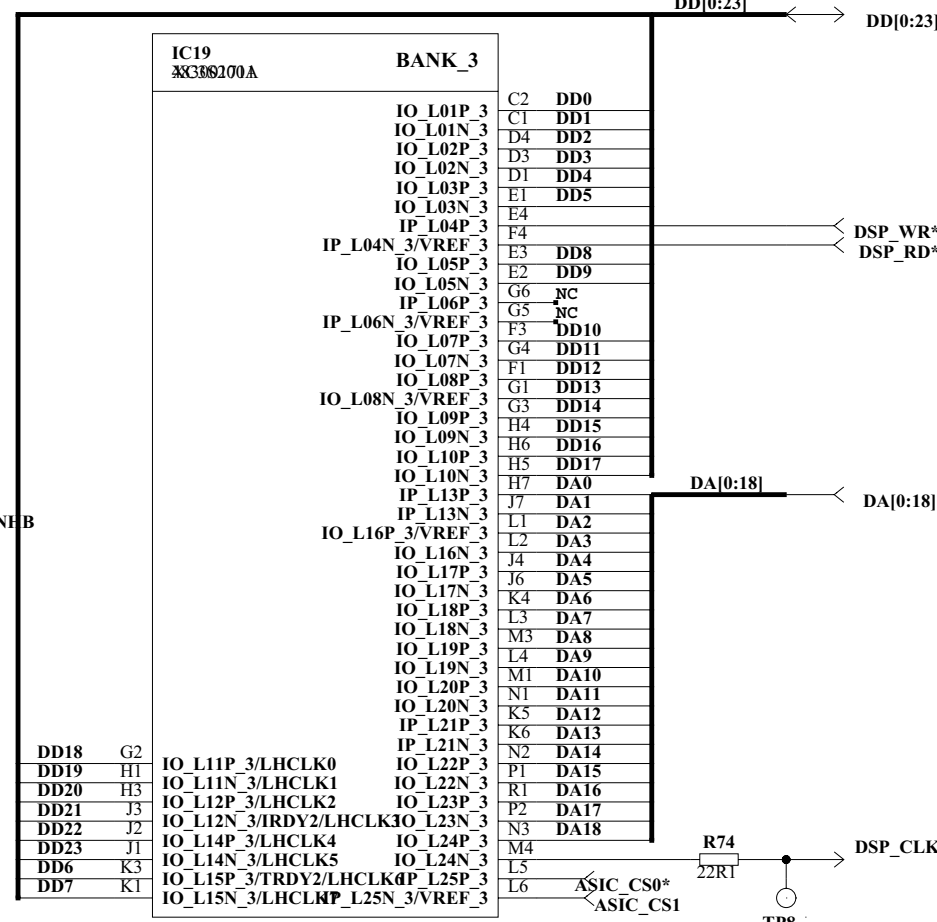
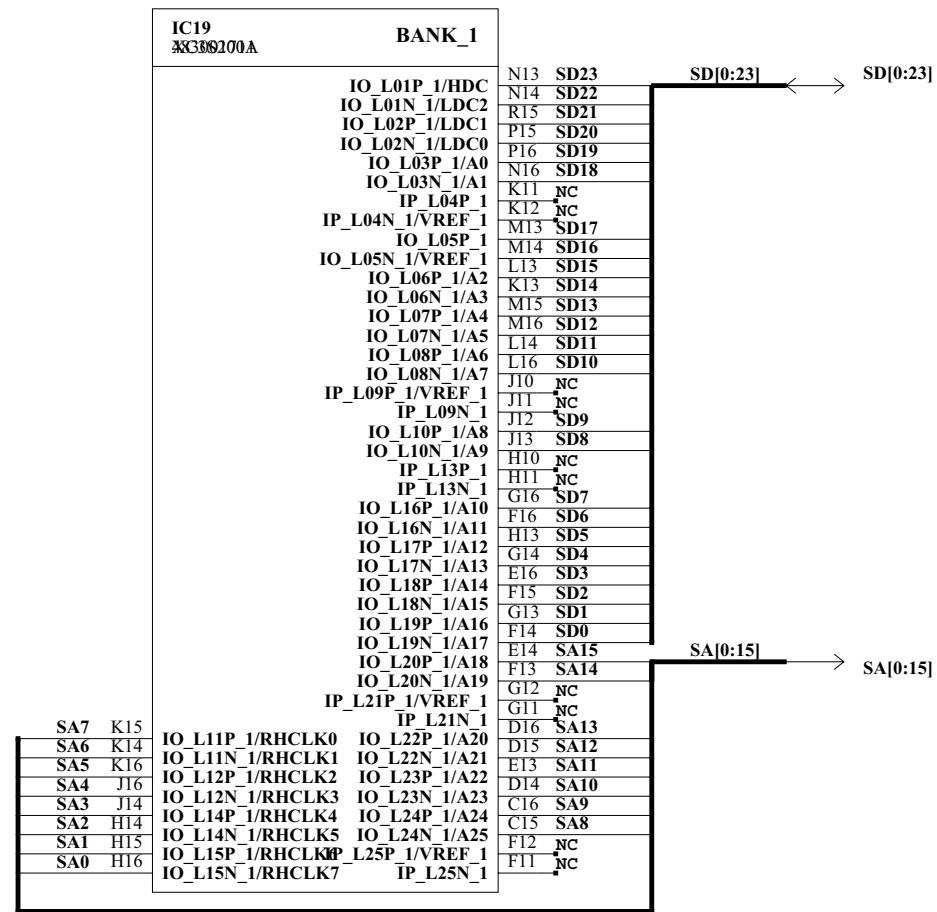
TC Electronic A/S		Designer MAR
Title MAINBOARD FIREWORX - M3000		Module title P13006 WX2DGI P13006-DE 1
Number P13006	Revision DEA	Previous page 1
Date 23-3-2008 19:35	Filename	Page / of 8 / 15

512k SRAM option

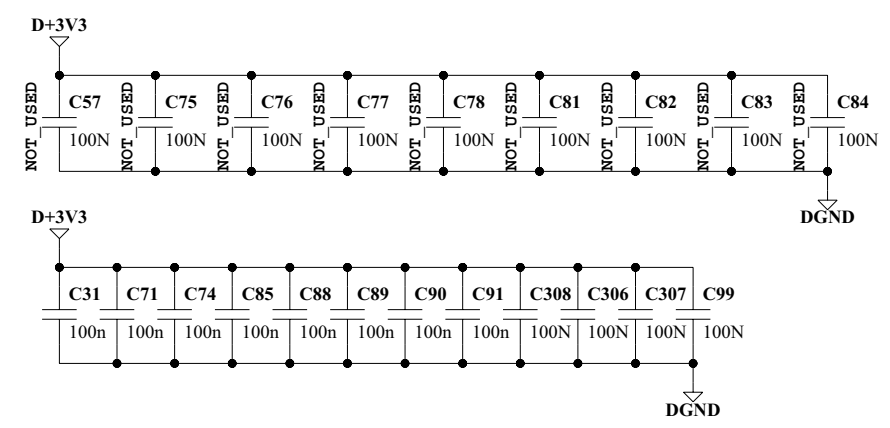
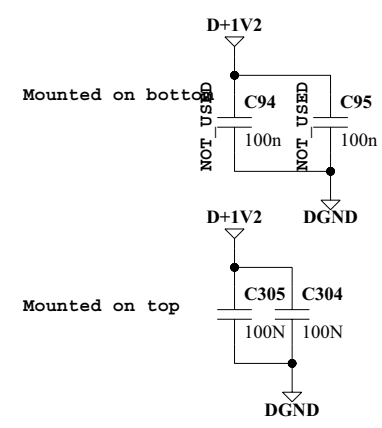
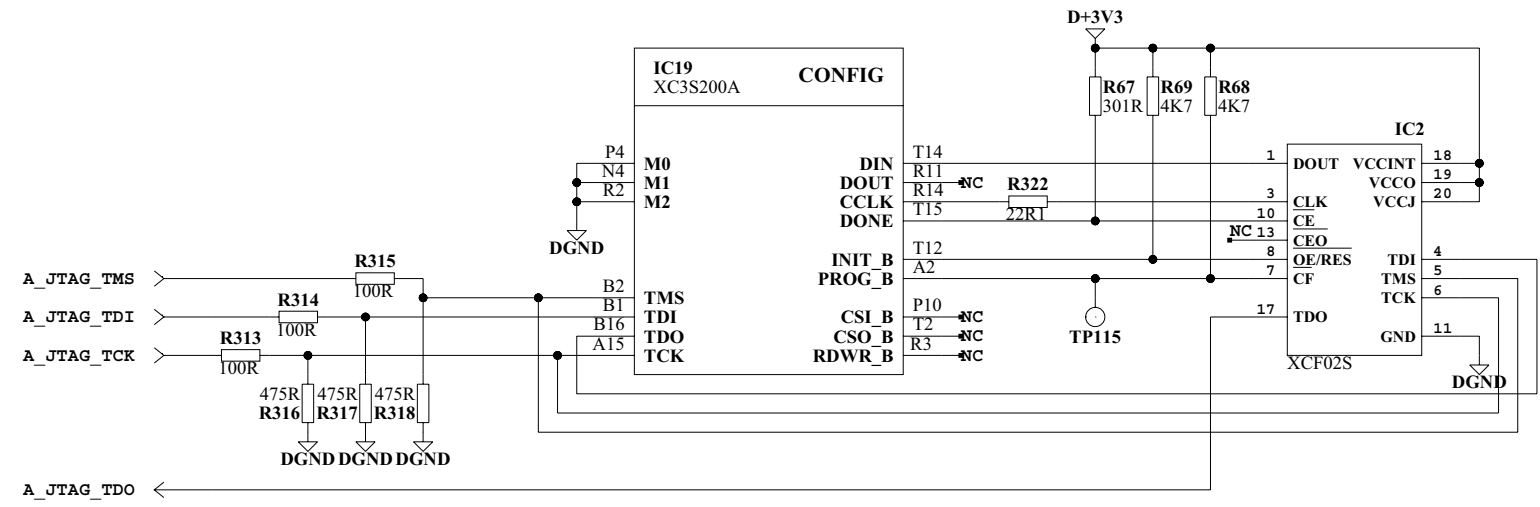
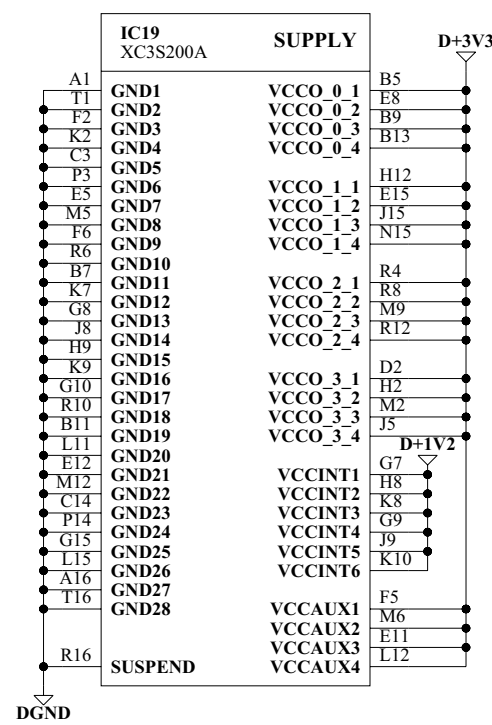
128k SRAM option



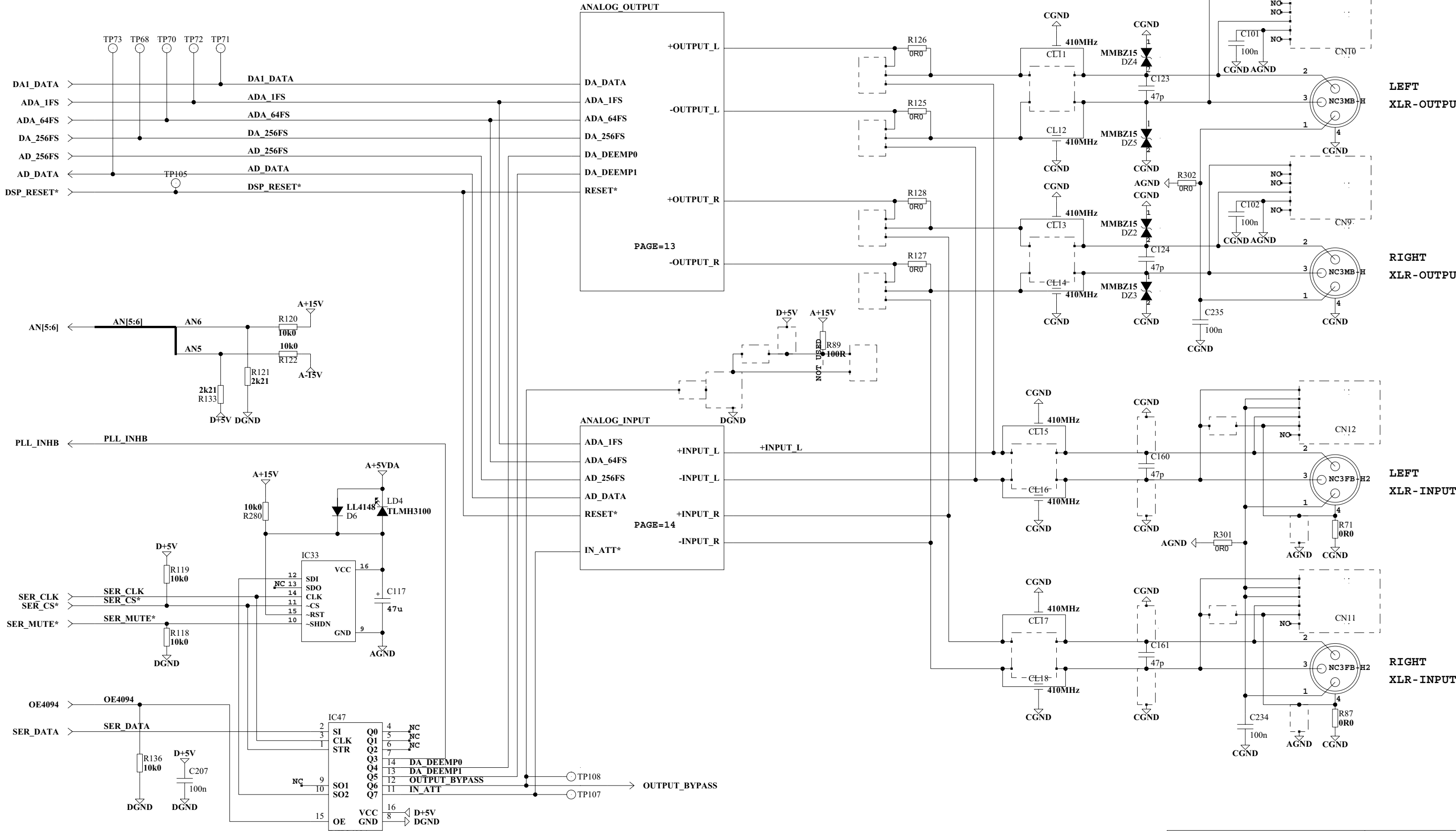
TC Electronic A/S		Designer
Title		MAR
Module title		P13006 WX2DSP P13006-DE 1
Number	Revision	Previous page
P13006	DEA	1
Date	Filename	Page / of
23-3-2008 19:35		9 / 15



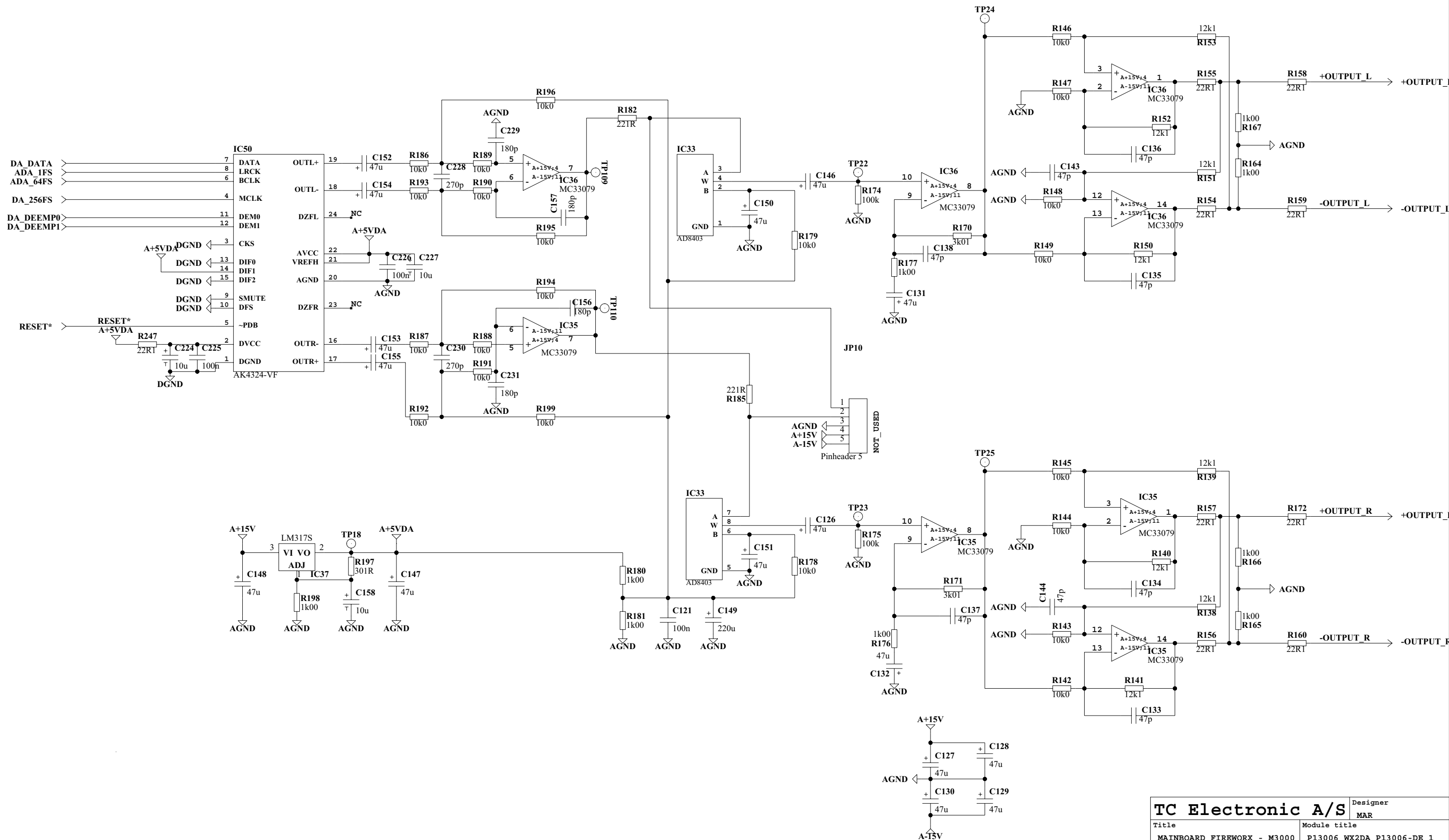
TC Electronic A/S		Designer	
Title		MAR	
MAINBOARD FIREWORX - M3006		Module title	
P13006		P13006 WX2ASI P13006-DE 1	
Number	Revision	Previous page	
P13006	DEA	1	
Date	Filename	Page / of	
23-3-2008 19:35		10 / 15	



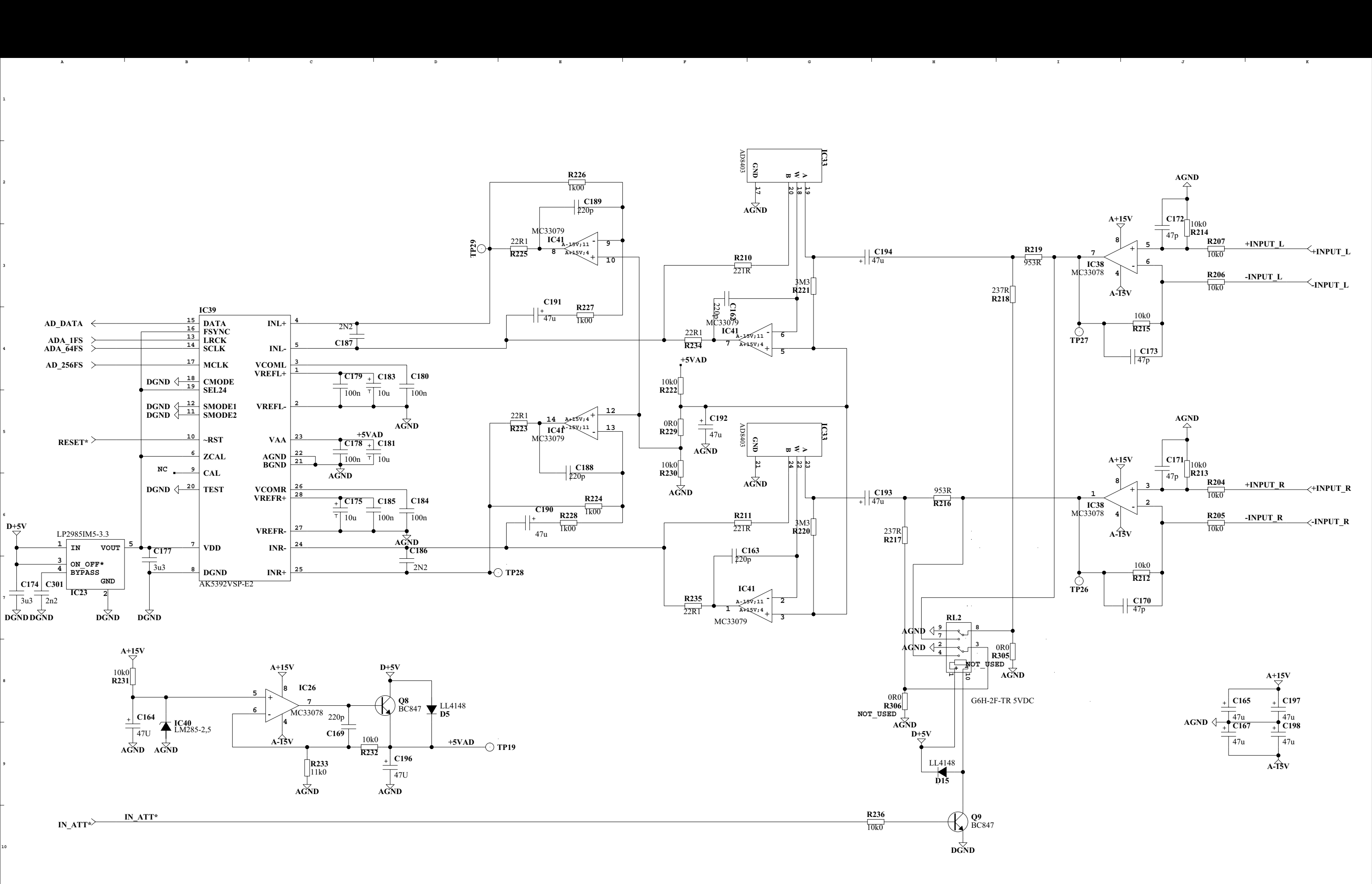
TC Electronic A/S		Designer MAR
Title MAINBOARD FIREWORX - M3000	Module title P13006 WX2ASI P13006-DE 1	
Number P13006	Revision DEA	Previous page 1
Date 23-3-2008 19:35	Filename	Page / of 11 / 15



TC Electronic A/S		Designer MAR
Title MAINBOARD FIREWORX - M3000	Module title P13006 WX2ADA P13006-DE 1	
Number P13006	Revision DEA	Previous page 1
Date 23-3-2008 19:35	Filename	Page / of 12 / 15



TC Electronic A/S		Designer MAR
Title MAINBOARD FIREWORX - M3000	Module title P13006 WX2DA P13006-DE 1	
Number P13006	Revision DEA	Previous page 1
Date 23-3-2008 19:35	Filename	Page / of 13 / 15



TC Electronic A/S		Designer MAR
Title MAINBOARD FIREWORX - M3000	Module title P13006 WX2AD P13006-DE 1	
Number P13006	Revision DEA	Previous page 1
Date 23-3-2008 19:35	Filename	Page / of 14 / 15

