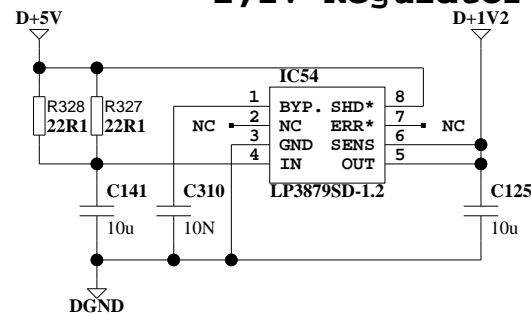
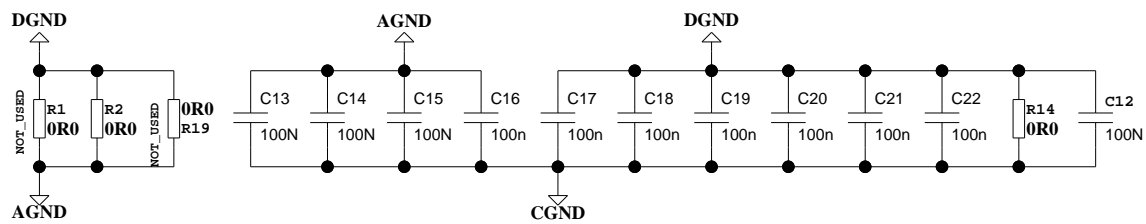
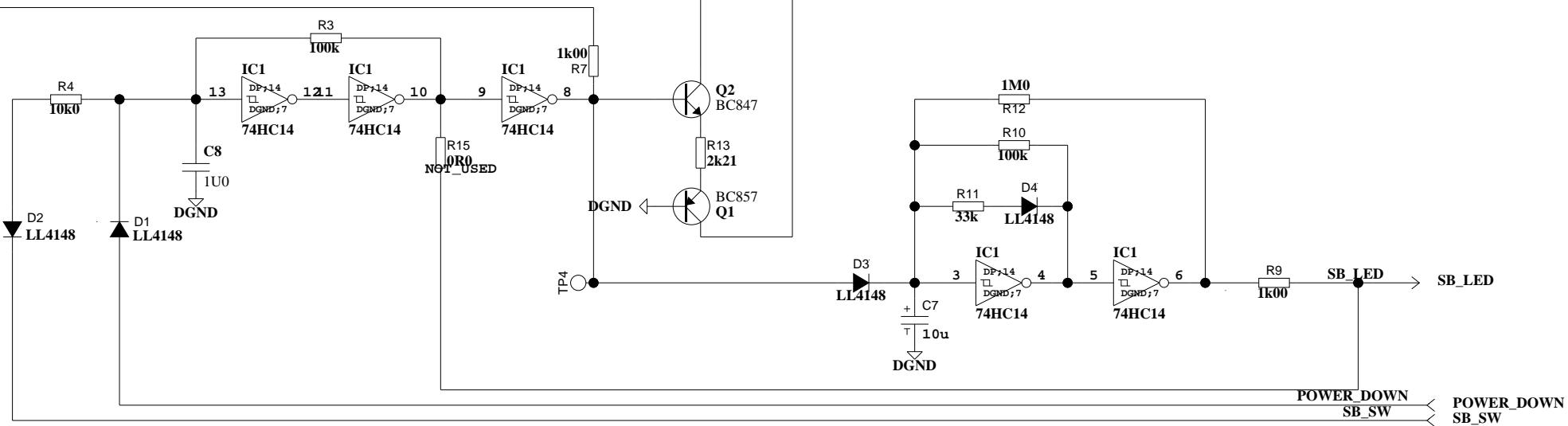
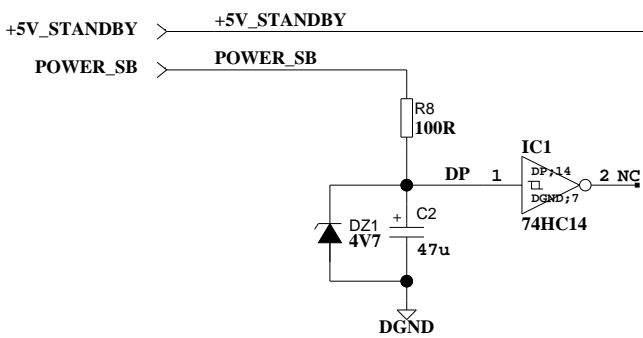
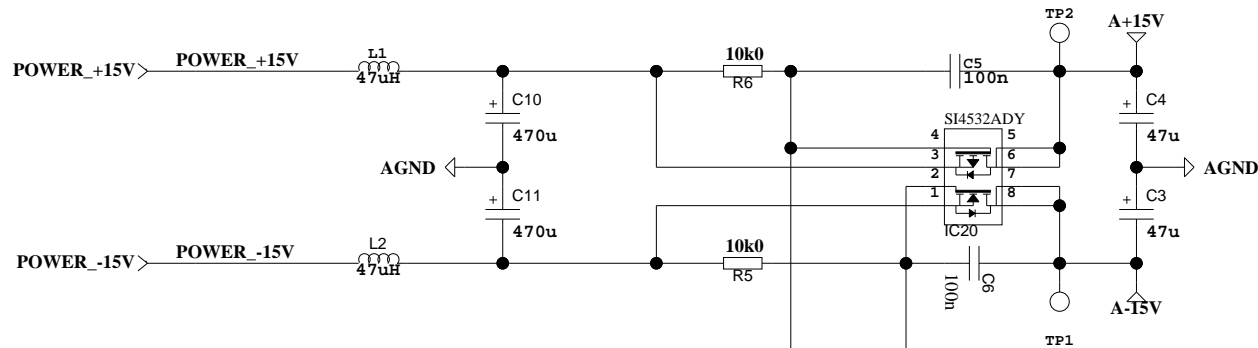
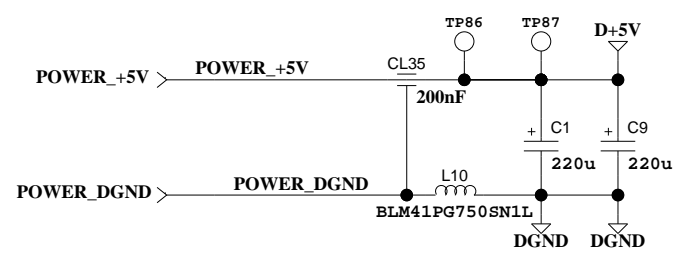
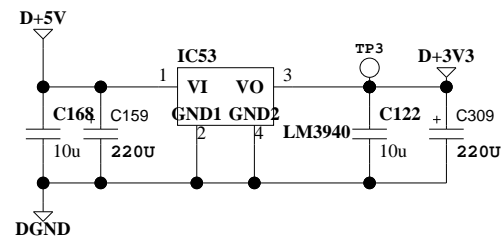


TC Electronic A/S		Designer MAR
Title WIZARD2 M4000	Module title TOP	
Number P13008	Revision CAE	Previous page 1
Date 23-2-2009 10:18	Filename	Page / of 1 / 15

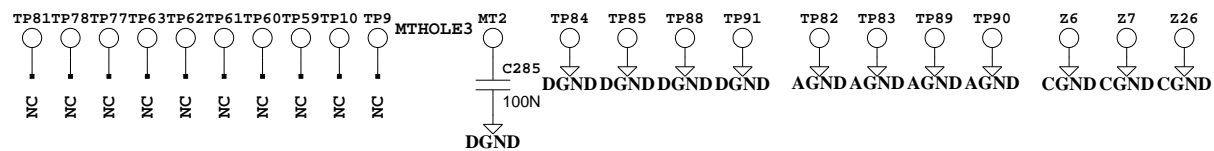
1,2V Regulator



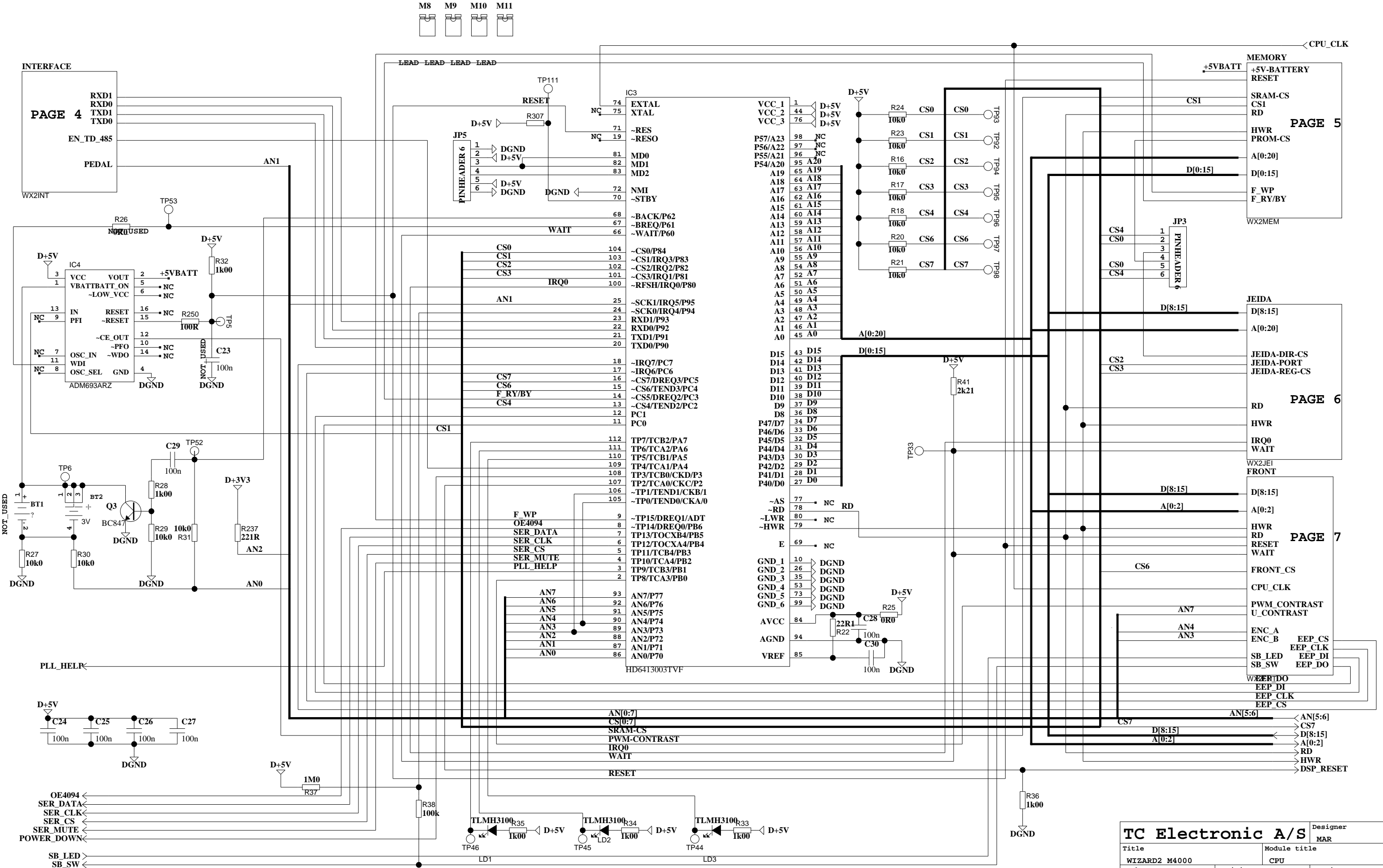
3,3V Regulator



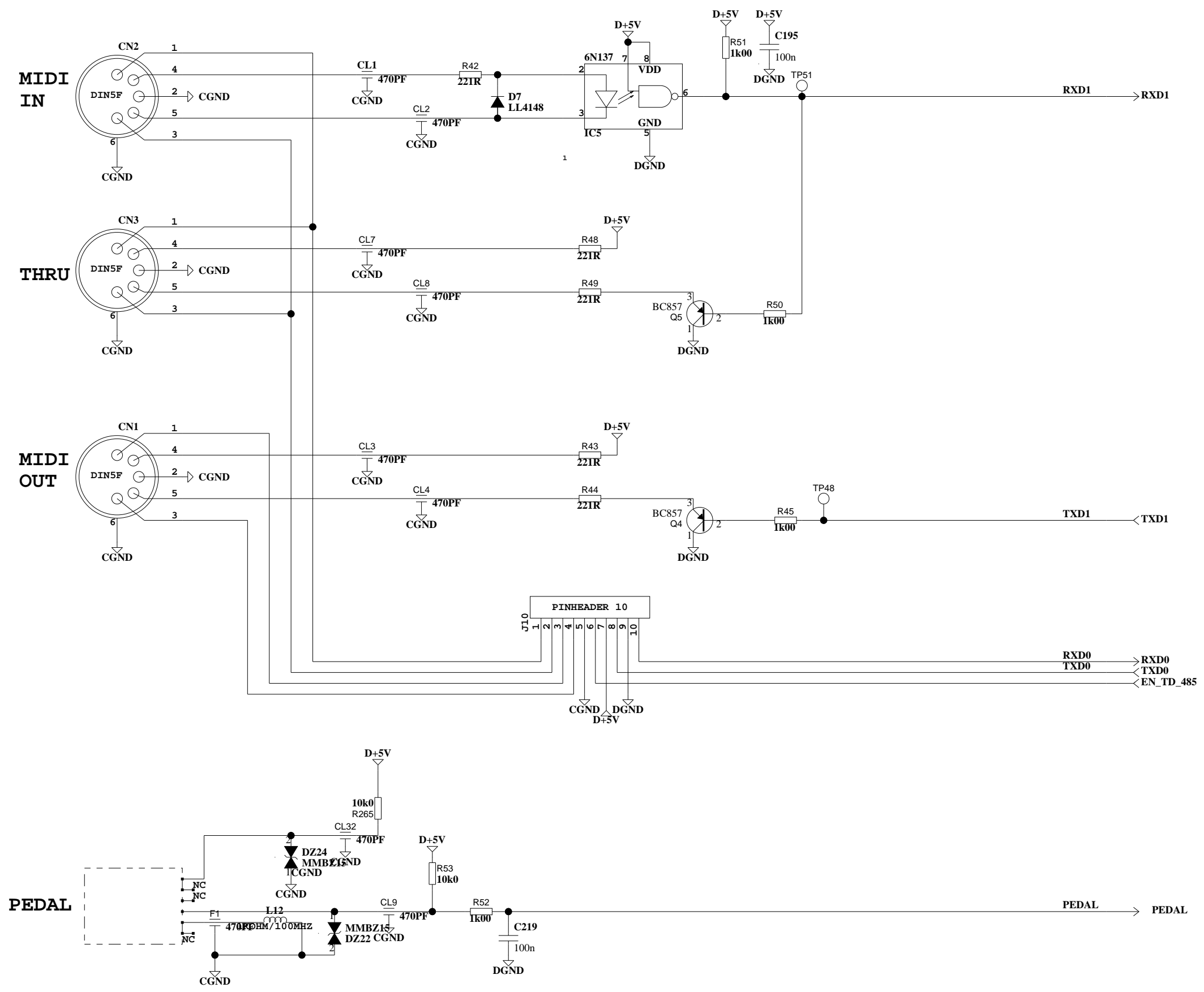
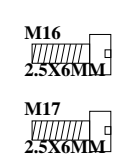
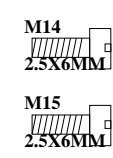
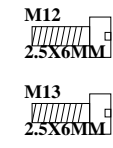
Unused Testpoints



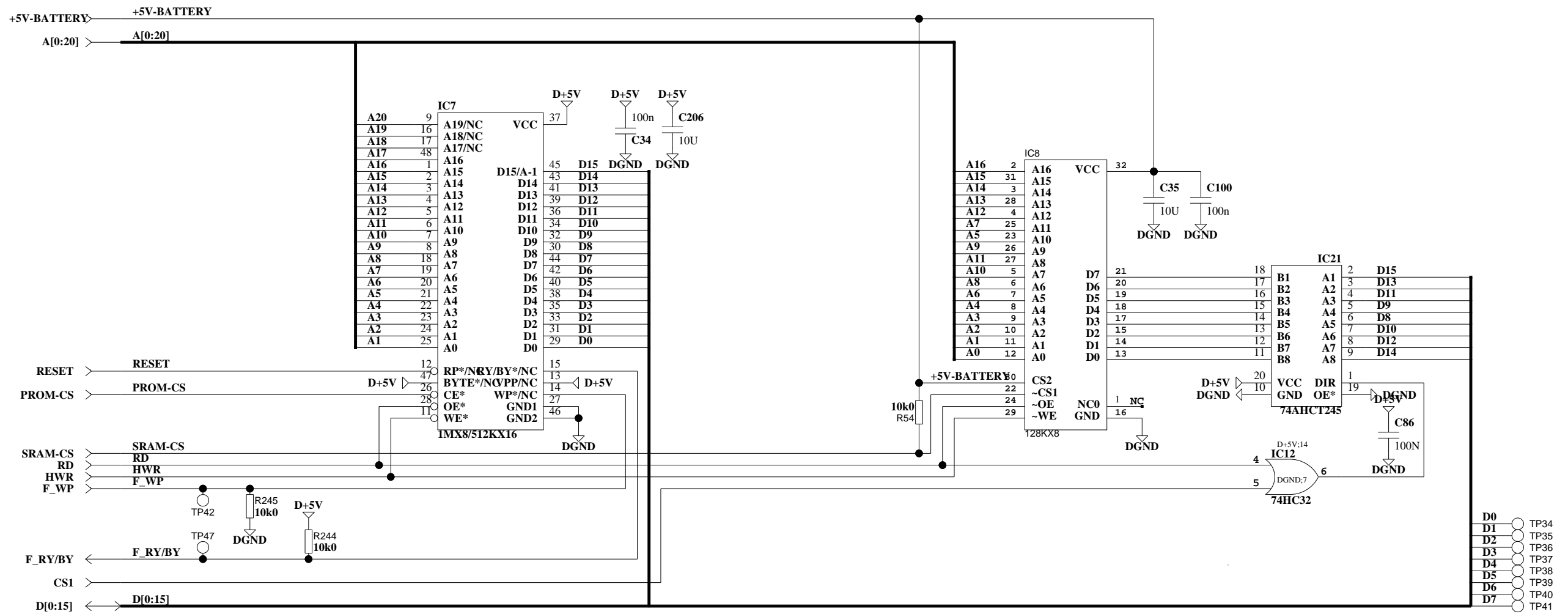
TC Electronic A/S		Designer MAR
Title WIZARD2 M4000	Module title POWER	
Number P13008	Revision CAE	Previous page 1
Date 23-2-2009 10:18	Filename	Page / of 2 / 15

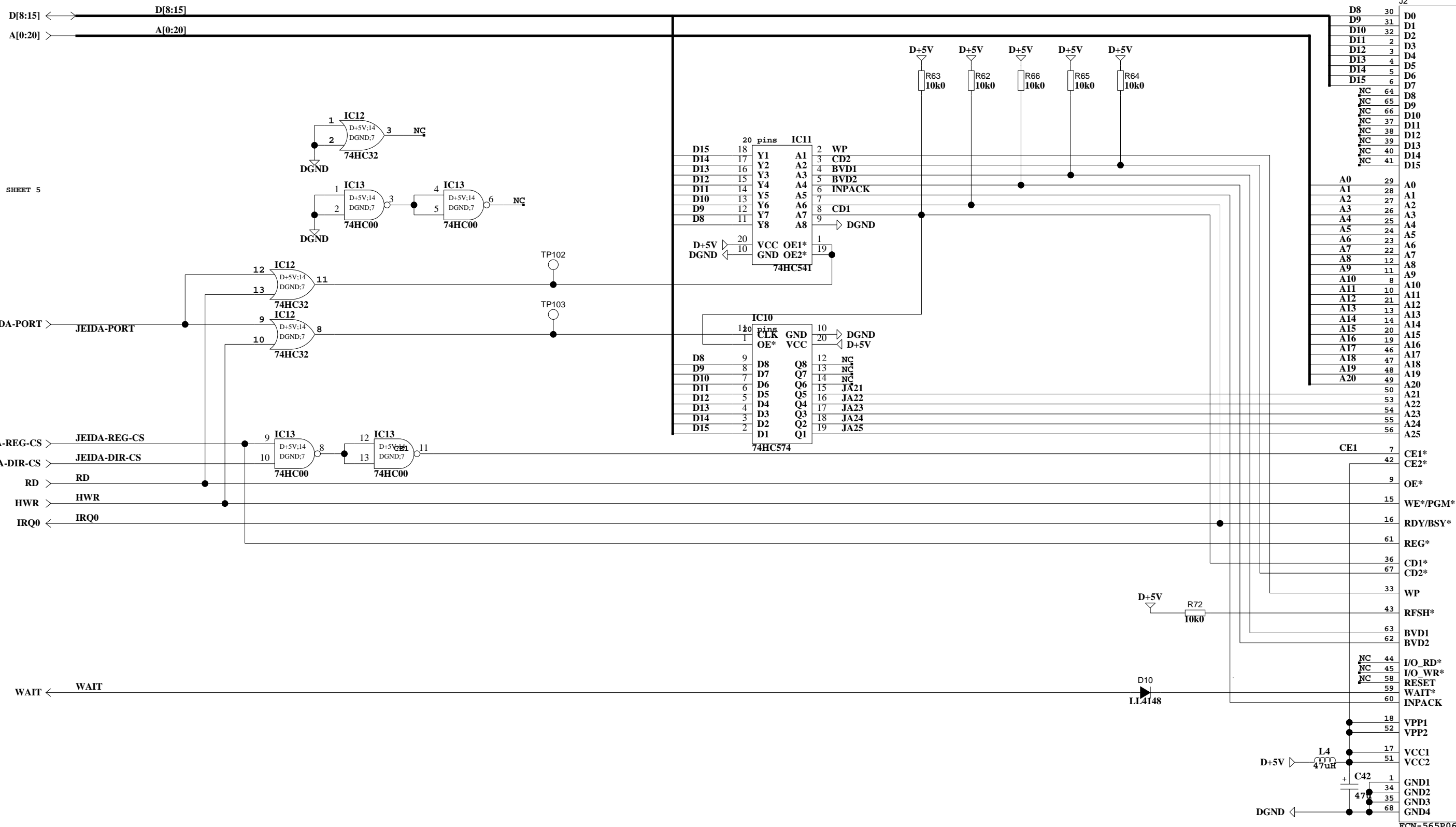


TC Electronic A/S		Designer MAR
Title WIZARD2 M4000	Module title CPU	
Number P13008	Revision CAE	Previous page 1
Date 23-2-2009 10:18	Filename	Page / of 3 / 15

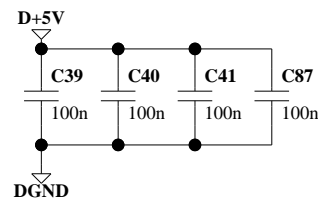
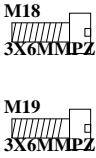


TC Electronic A/S		Designer MAR
Title WIZARD2 M4000		Module title INTERFACE
Number P13008	Revision CAE	Previous page 1
Date 23-2-2009 10:18	Filename	Page / of 4 / 15





PCMCIA Type I

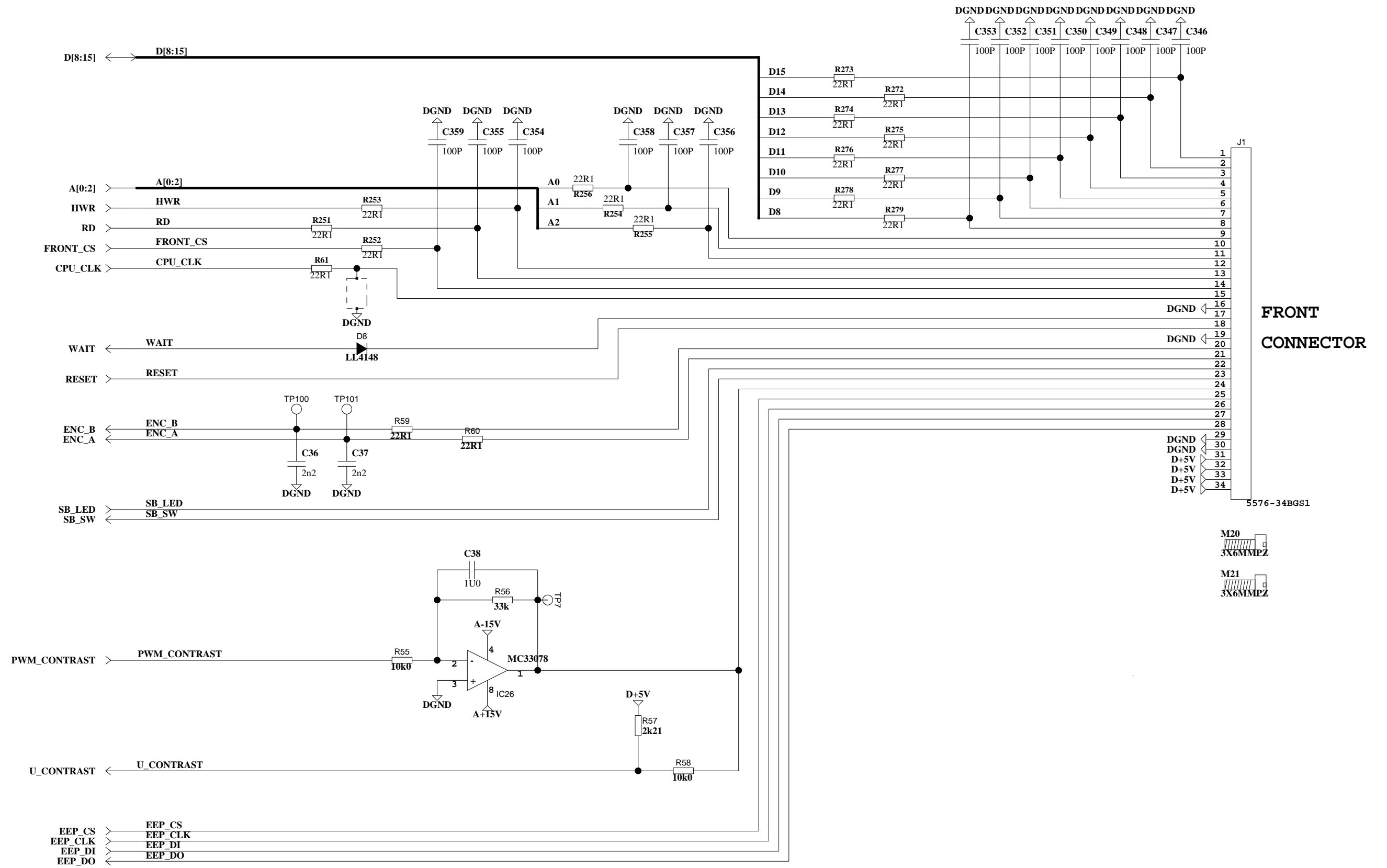


FCN-565P068-G/C-V4

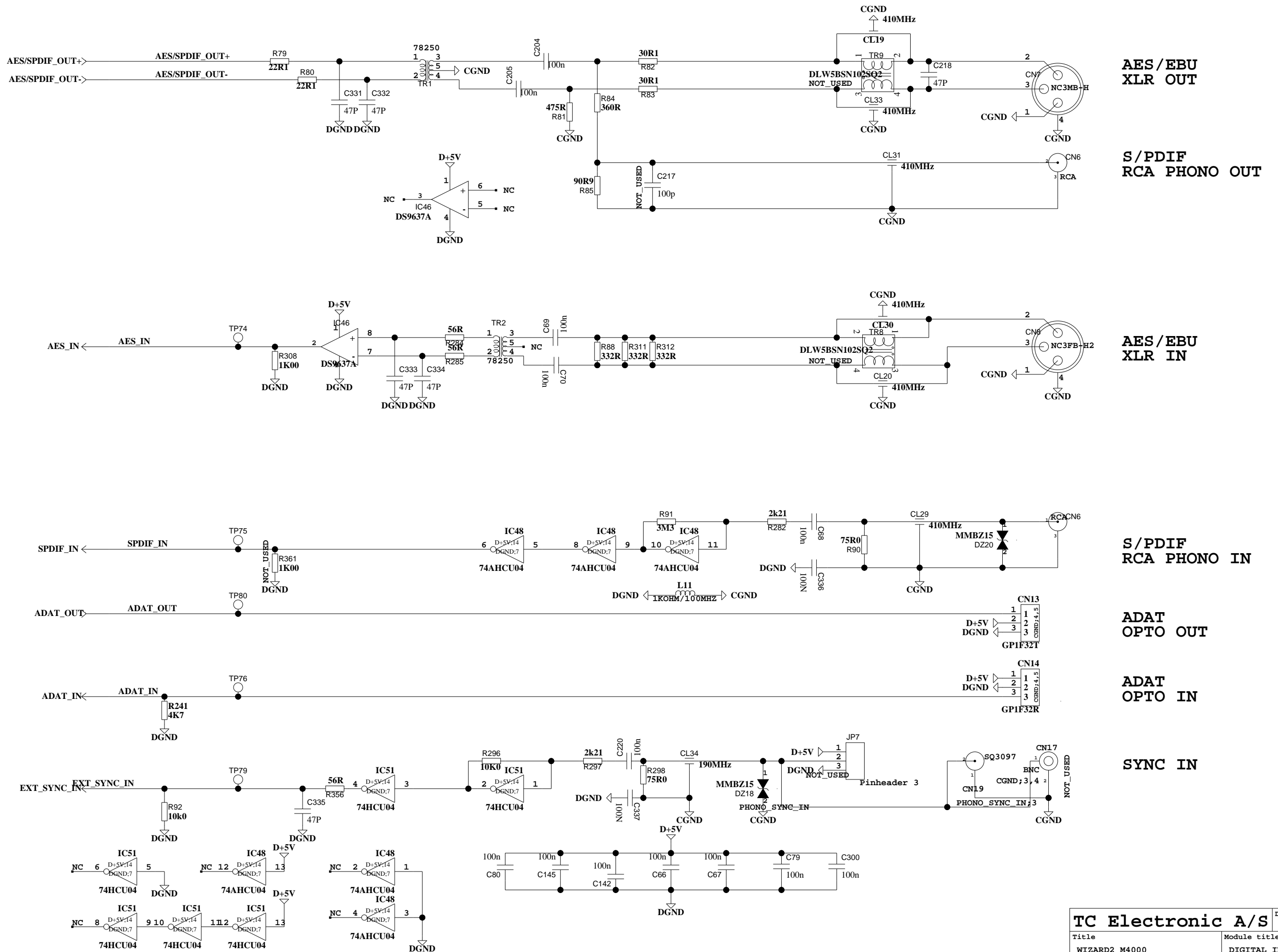
TC Electronic A/S		Designer MAR
Title WIZARD2 M4000		Module title JEIDA
Number P13008	Revision CAE	Previous page 1
Date 23-2-2009 10:18	Filename	Page / of 6 / 15

ALL VOLTAGES ARE MEASURED WITH DGND AS REFERENCE.

SHEET 5



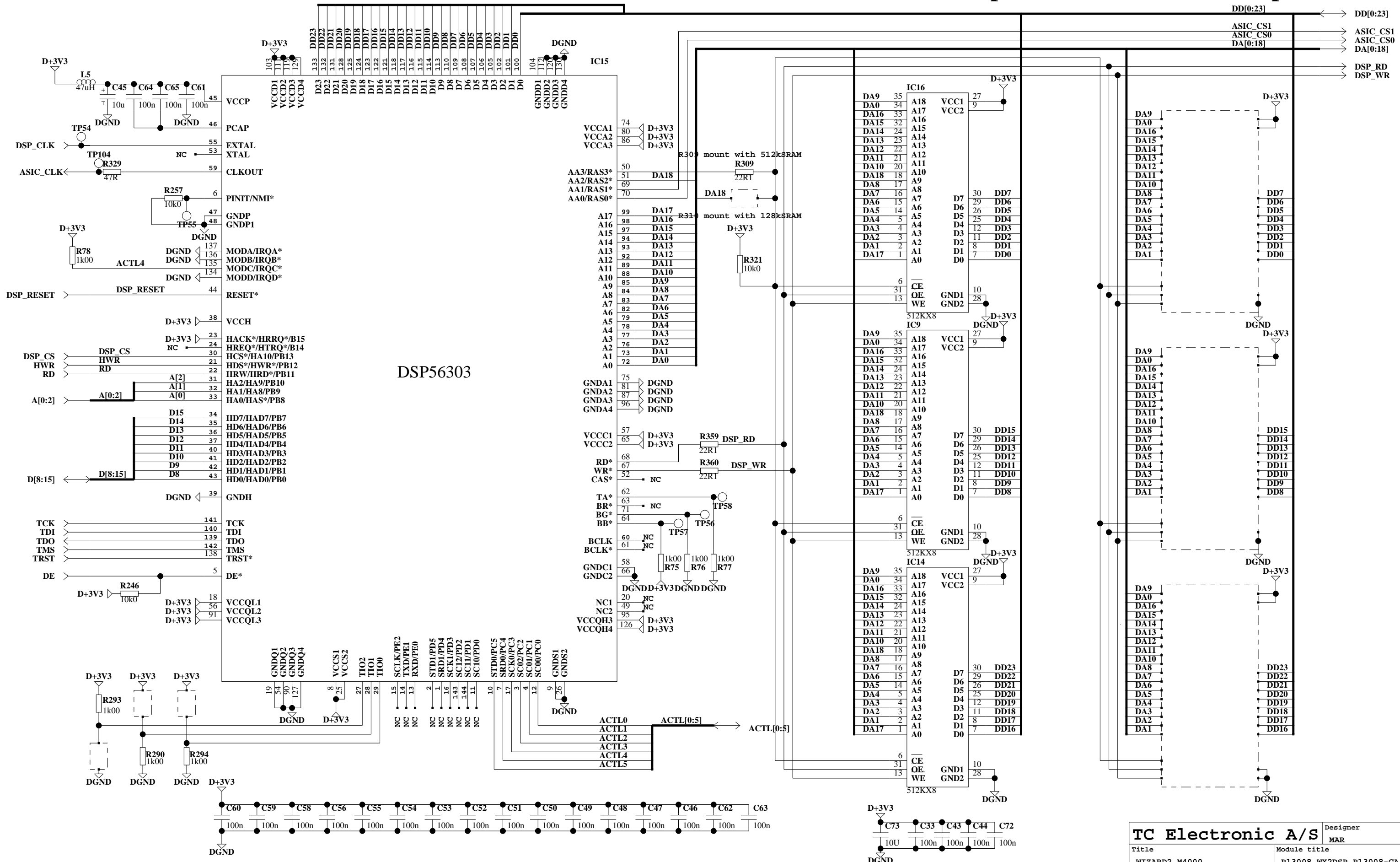
TC Electronic A/S		Designer MAR
Title WIZARD2 M4000		Module title FRONT I/F
Number P13008	Revision CAE	Previous page 1
Date 23-2-2009 10:18	Filename	Page / of 7 / 15



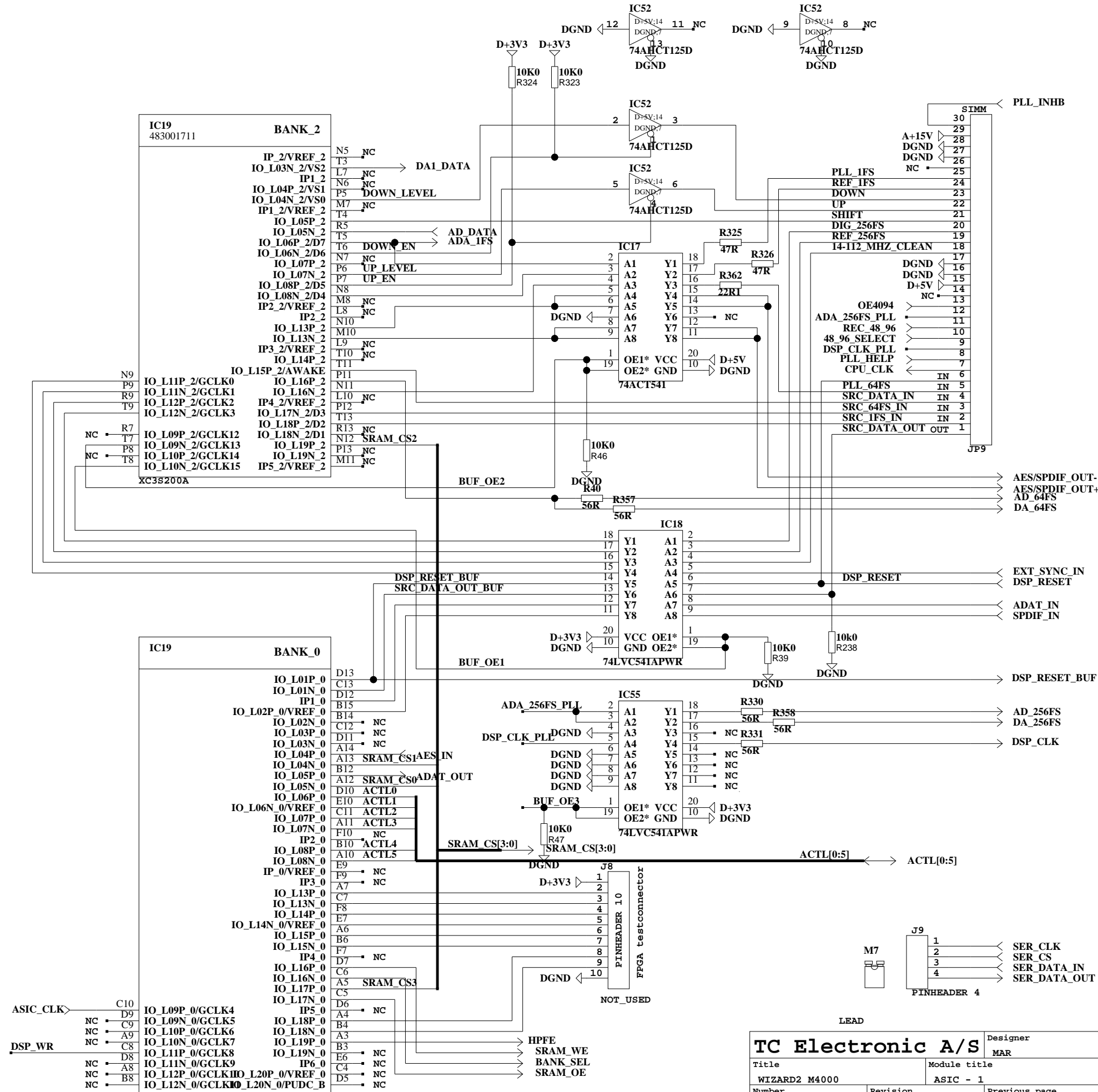
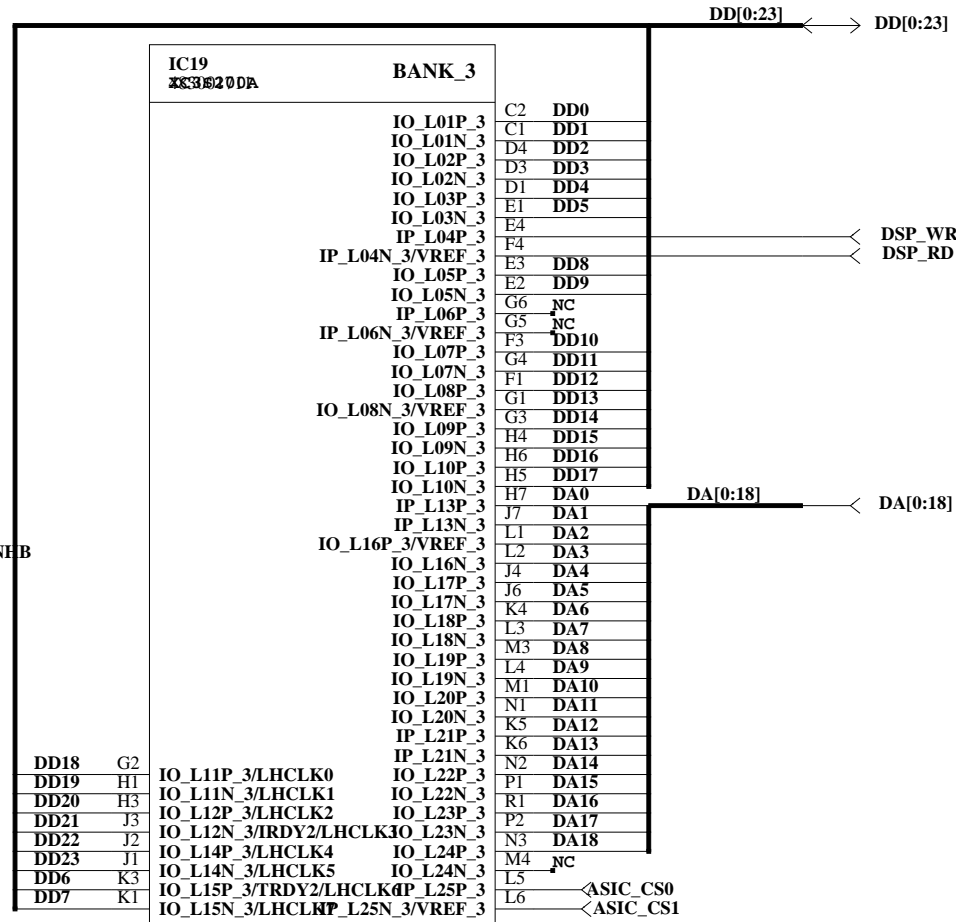
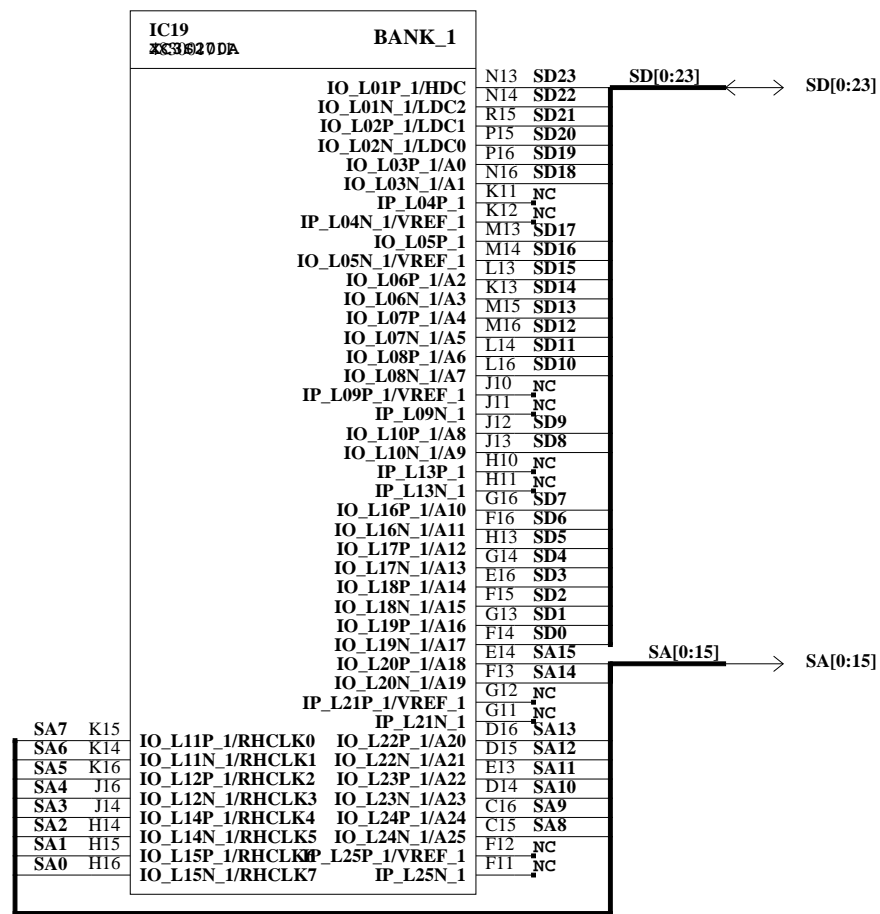
TC Electronic A/S		Designer
WIZARD2 M4000		MAR
Module title		DIGITAL INTERFACE
Number	Revision	Previous page
P13008	CAE	1
Date	Filename	Page / of
23-2-2009 10:18		8 / 15

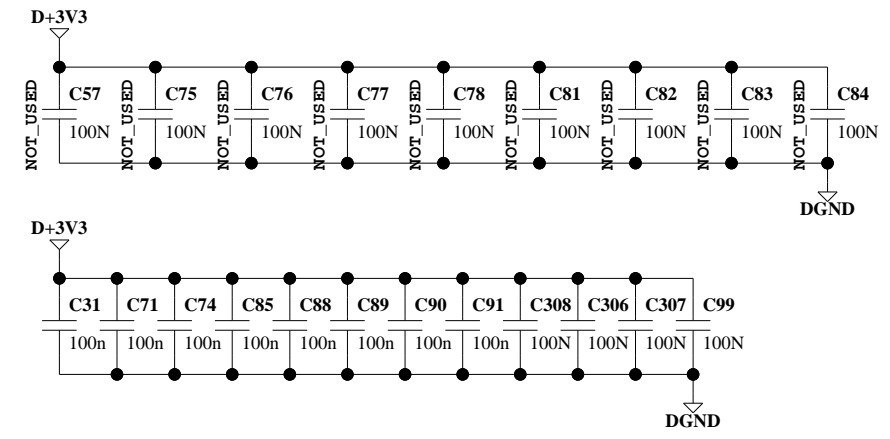
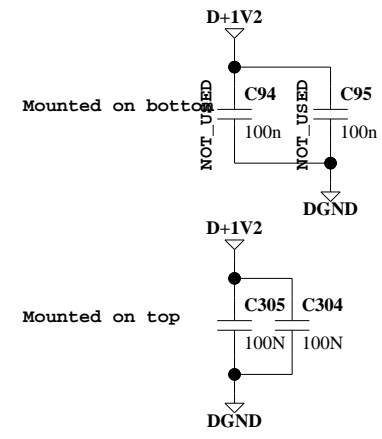
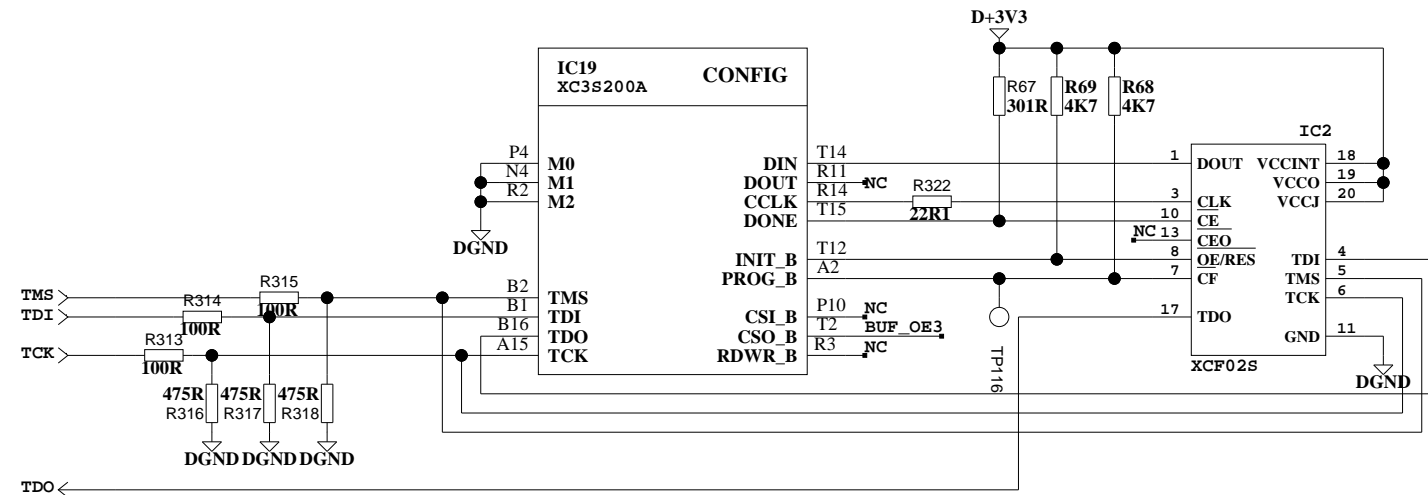
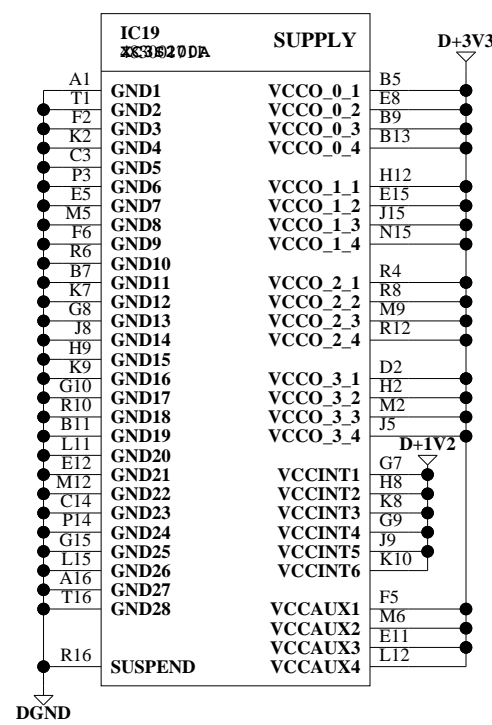
512k SRAM option

128k SRAM option

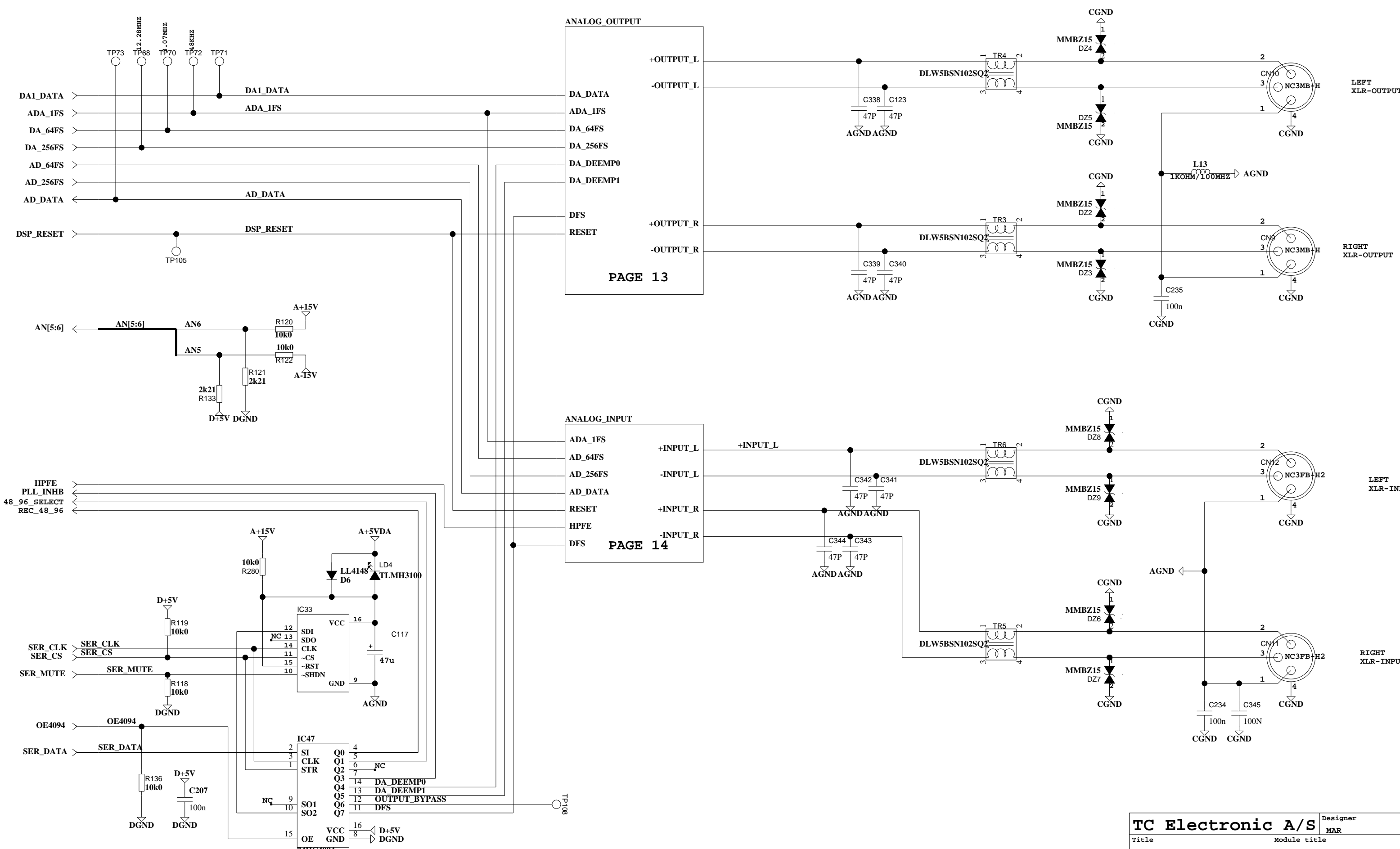


TC Electronic A/S		Designer MAR
Title WIZARD2 M4000		Module title P13008 WX2DSP P13008-CA_1
Number P13008	Revision CAE	Previous page 1
Date 23-2-2009 10:18	Filename	Page / of 9 / 15





TC Electronic A/S		Designer MAR
Title WIZARD2 M4000		Module title ASIC - 2
Number P13008	Revision CAE	Previous page 1
Date 23-2-2009 10:18	Filename	Page / of 11 / 15



ANALOG_OUTPUT

DA_DATA
 ADA_IFS
 DA_64FS
 DA_256FS
 DA_DEEMP0
 DA_DEEMP1
 DFS
 RESET

+OUTPUT_L
 -OUTPUT_L
 +OUTPUT_R
 -OUTPUT_R

PAGE 13

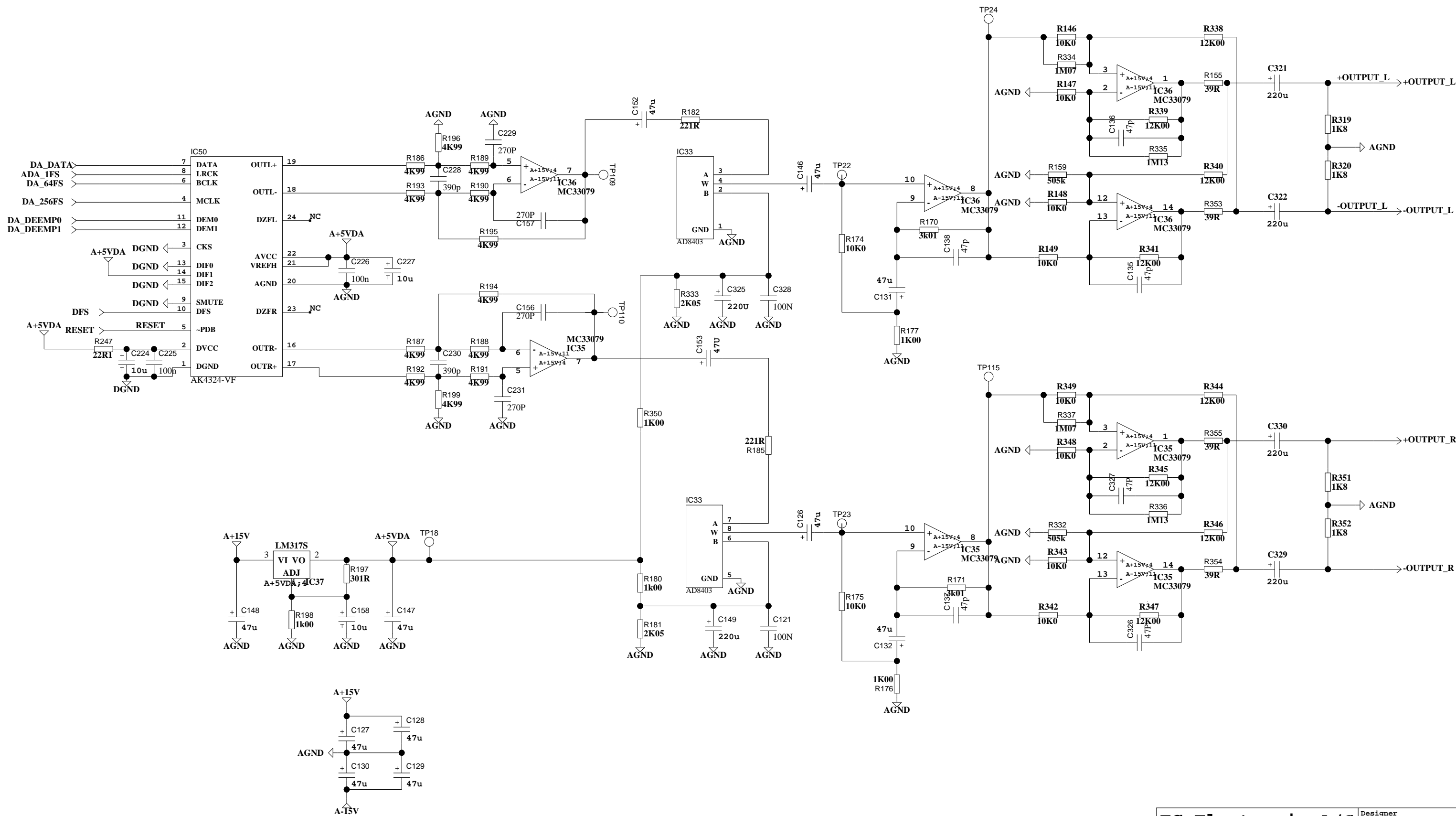
ANALOG_INPUT

ADA_IFS
 AD_64FS
 AD_256FS
 AD_DATA
 RESET
 HPFE
 DFS

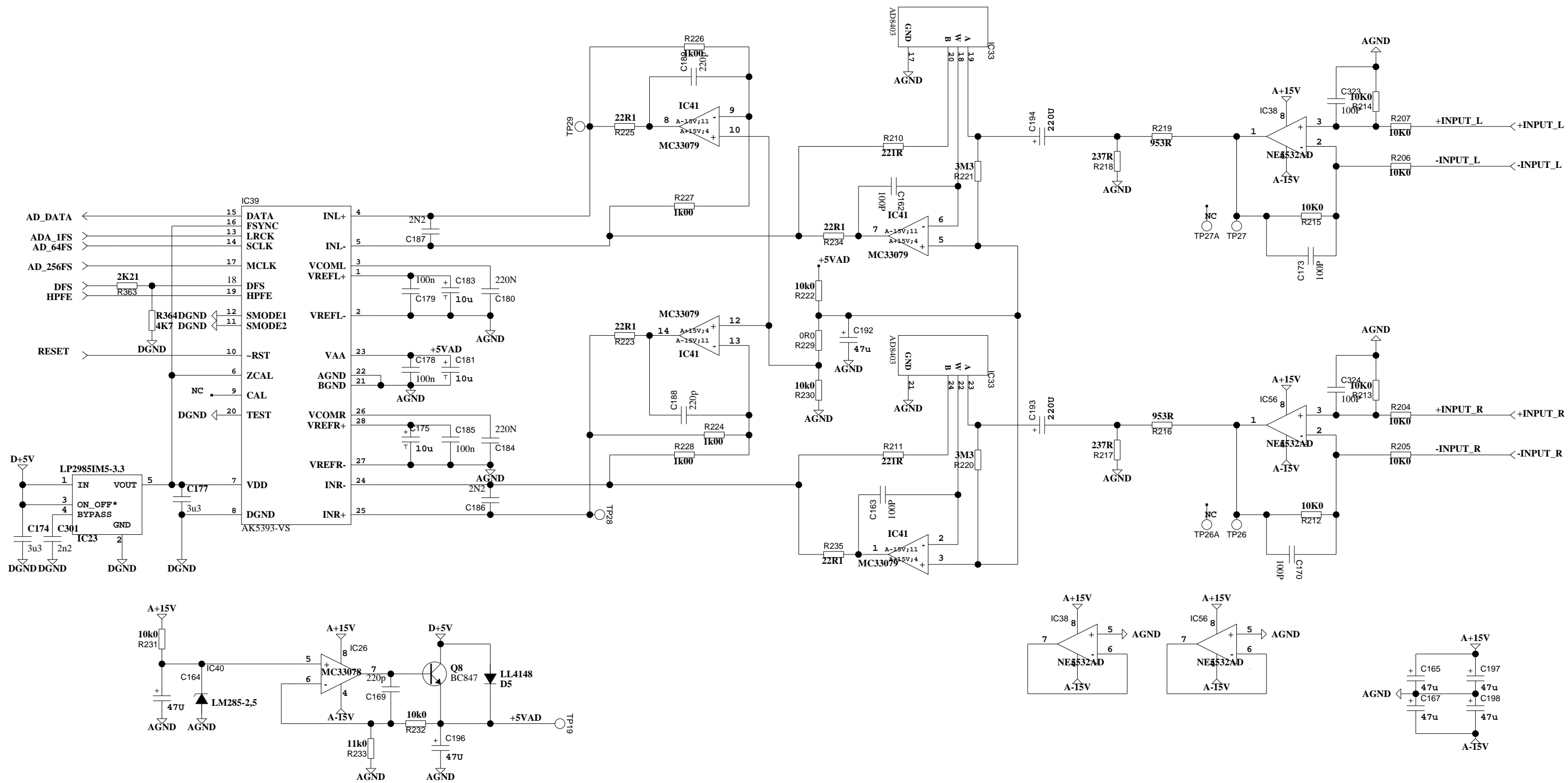
+INPUT_L
 -INPUT_L
 +INPUT_R
 -INPUT_R

PAGE 14

TC Electronic A/S		Designer MAR
Title WIZARD2 M4000	Module title AD/DA	
Number P13008	Revision CAE	Previous page 1
Date 23-2-2009 10:18	Filename	Page / of 12 / 15



TC Electronic A/S		Designer MAR
Title WIZARD2, FINALIZER 96		Module title P13008_WX2DA_P13008-CA_1
Number P13008	Revision CBC	Previous page 1
Date 23-2-2009 10:10	Filename	Page / of 13 / 15



TC Electronic A/S		Designer MAR
Title WIZARD2, FINALIZER 96	Module title P13008 WX2AD P13008-CA_1	
Number P13008	Revision CBC	Previous page 1
Date 23-2-2009 10:10	Filename	Page / of 14 / 15

