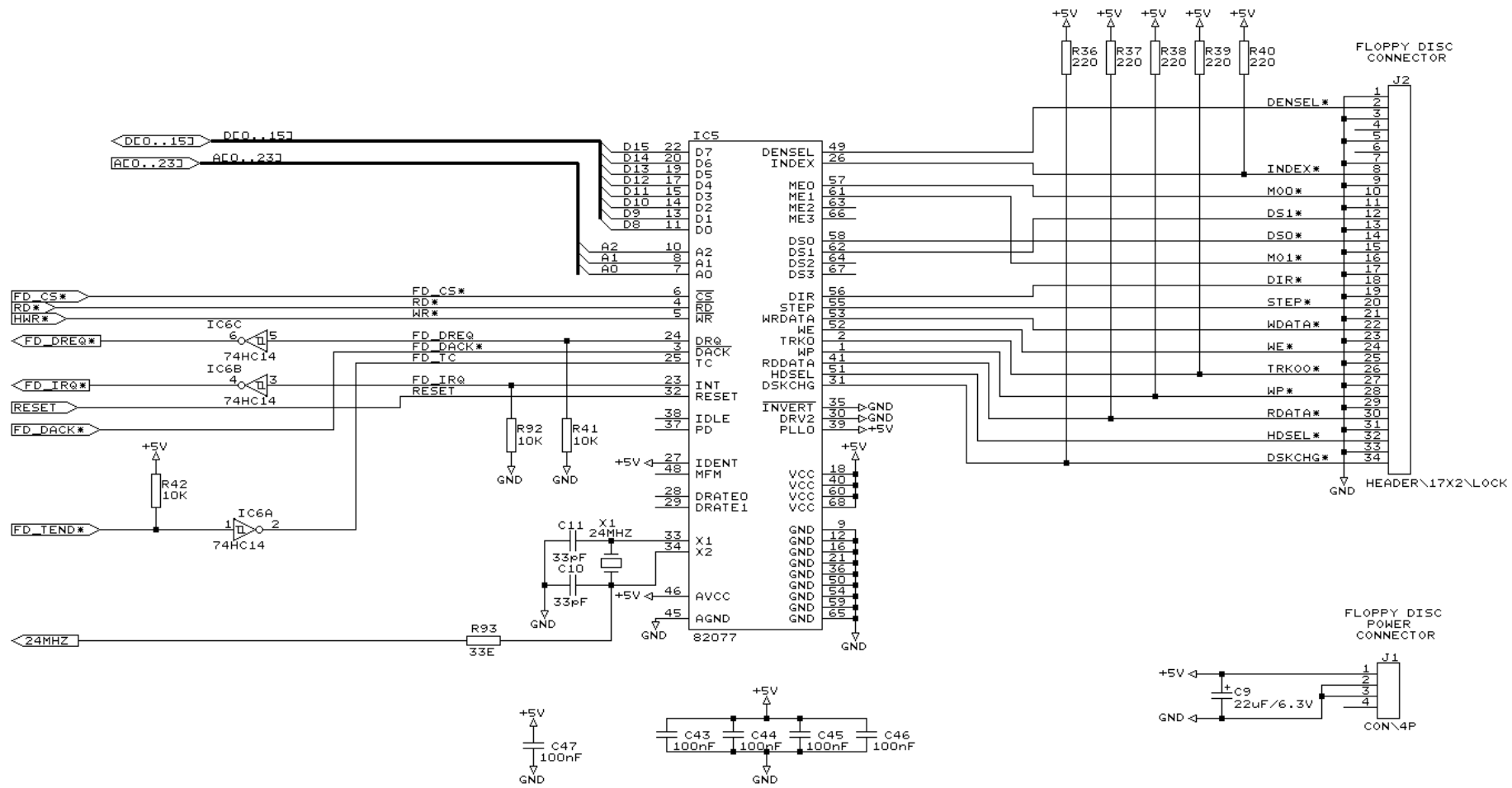
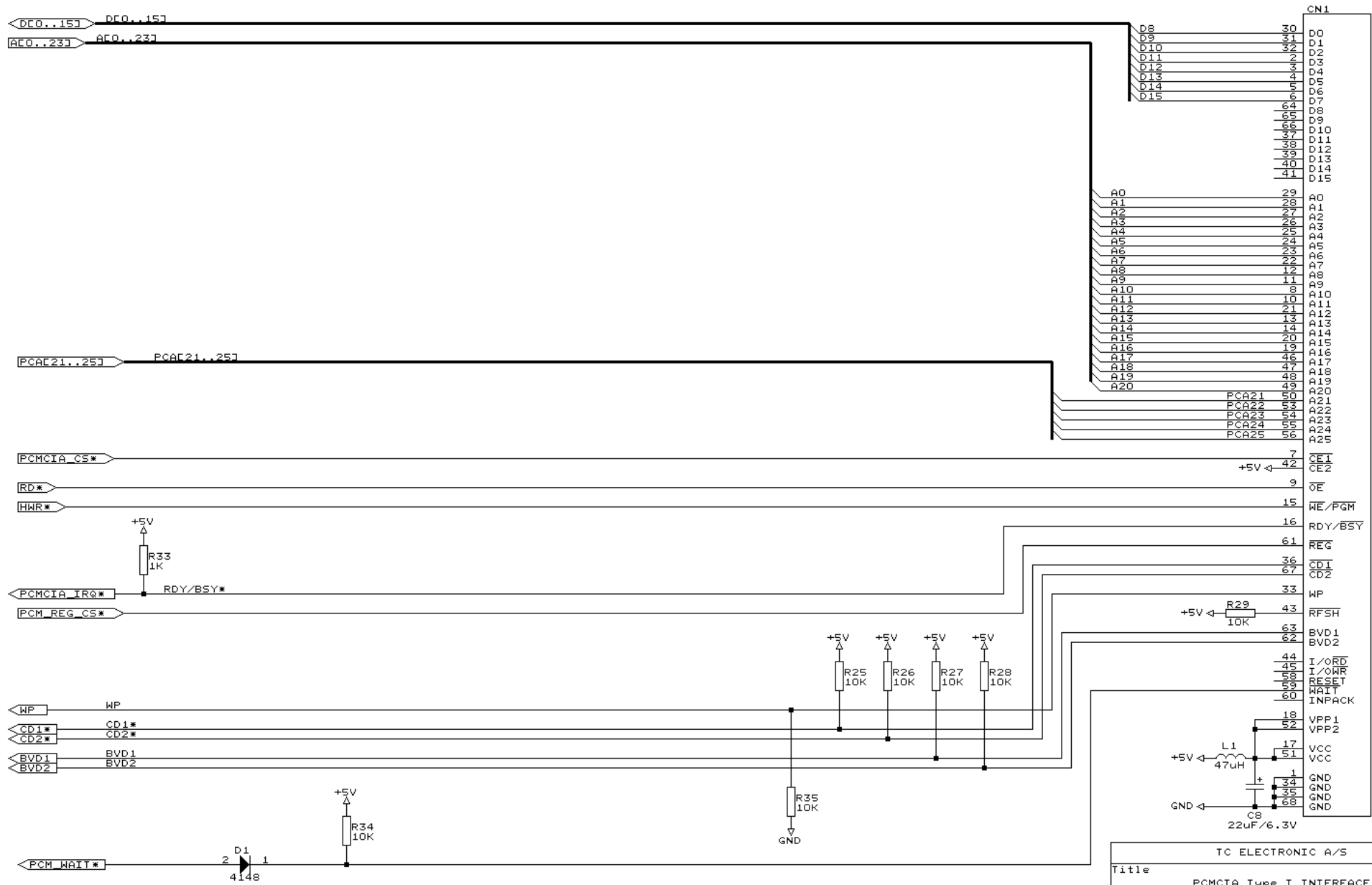


TC ELECTRONIC A/S		
Title M5000 mk.II HOST BUS INTERFACE		
Size	Document Number	REV
B	M51BUS30.SCH	3.0
Date: September 23, 1997		Sheet 2 of 7

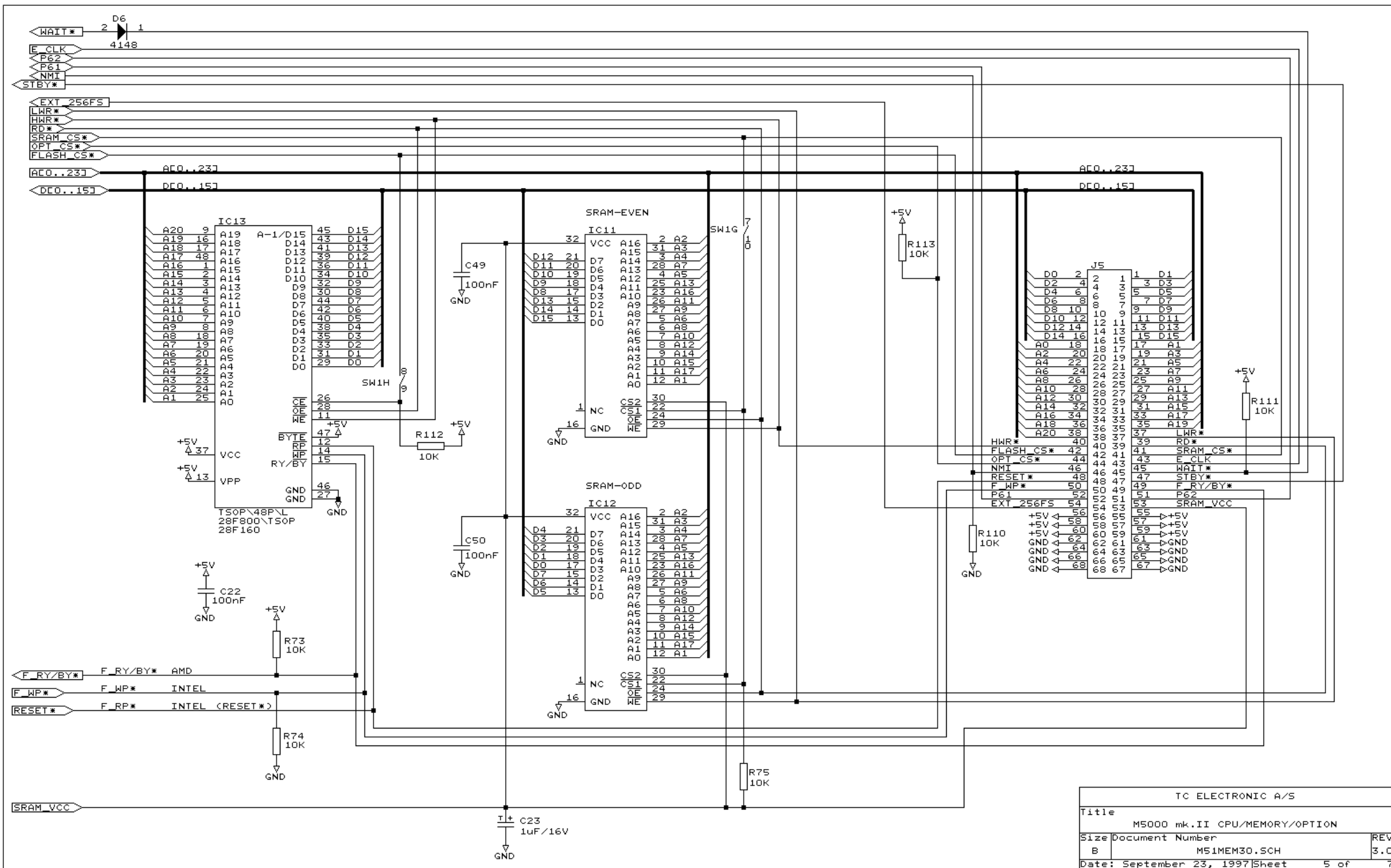


TC ELECTRONIC A/S		
Title		
M5000 mk.II FLOPPY DISK INTERFACE		
Size	Document Number	REV
B	M51DSK30.SCH	3.0
Date:	September 23, 1997	Sheet 3 of 7

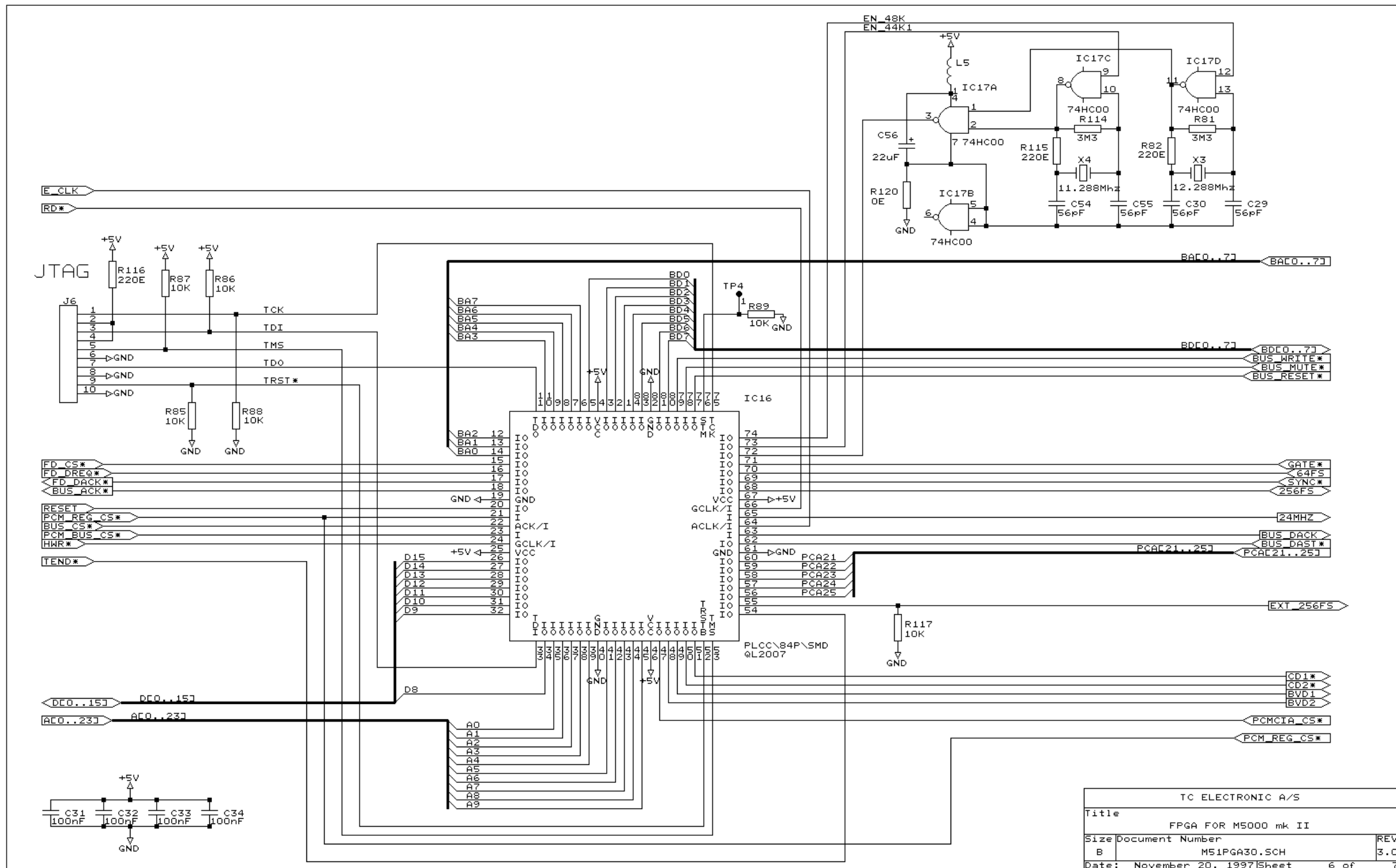
PCMCIA Type I Interface



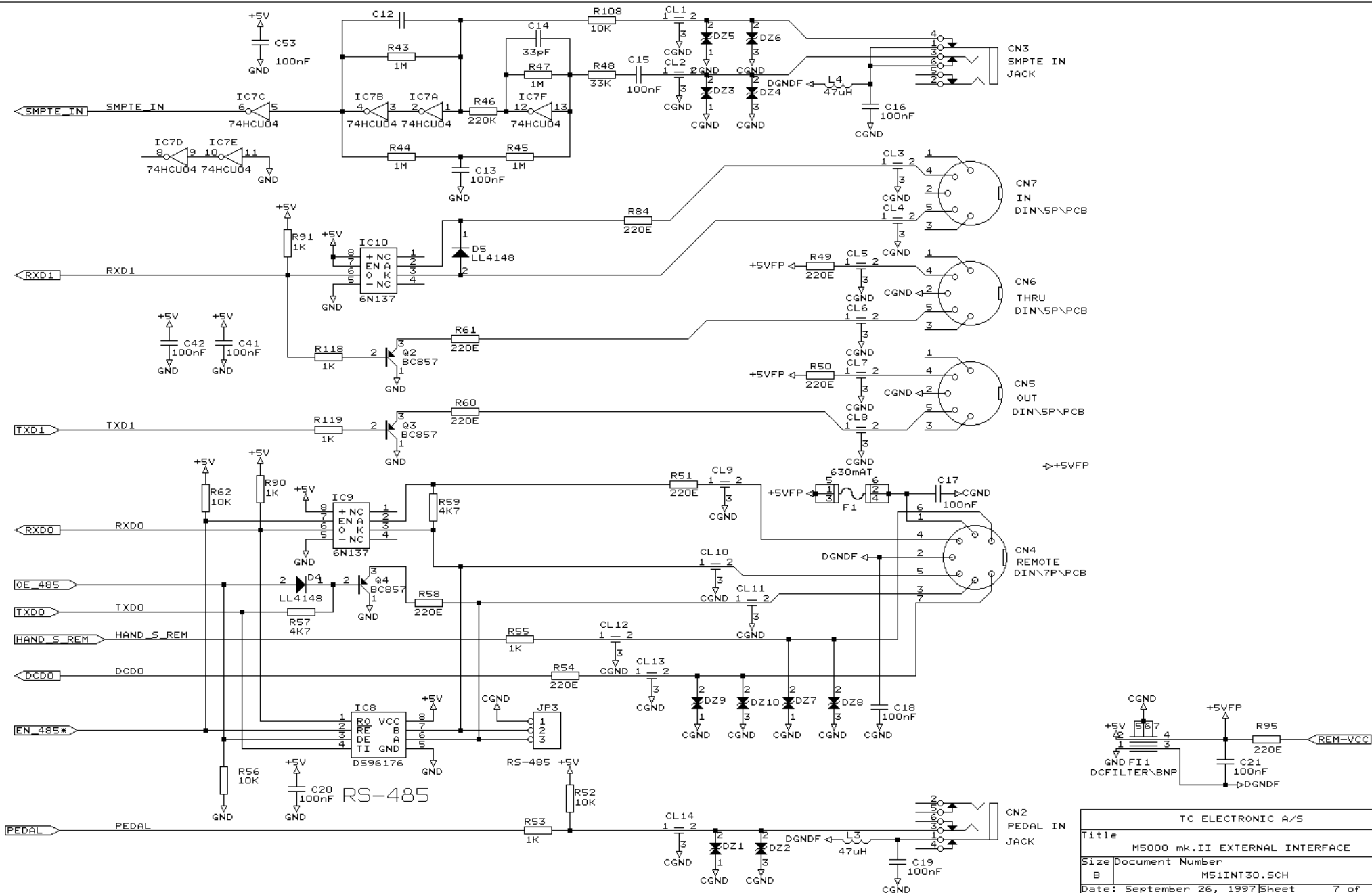
TC ELECTRONIC A/S		
Title PCMCIA Type I INTERFACE		
Size	Document Number	REV
B	MS1PCM30.SCH	3.0
Date:	September 23, 1997	Sheet 4 of 7



TC ELECTRONIC A/S		
Title M5000 mk.II CPU/MEMORY/OPTION		
Size	Document Number	REV
B	M51MEM30.SCH	3.0
Date:	September 23, 1997	Sheet 5 of 7



TC ELECTRONIC A/S		
Title	FPGA FOR M5000 mk II	
Size	Document Number	REV
B	M51PGA30.SCH	3.0
Date:	November 20, 1997	Sheet 6 of 7



TC ELECTRONIC A/S		
Title MS5000 mk.II EXTERNAL INTERFACE		
Size B	Document Number MS1INT30.SCH	REV 3.0
Date: September 26, 1997		Sheet 7 of 7