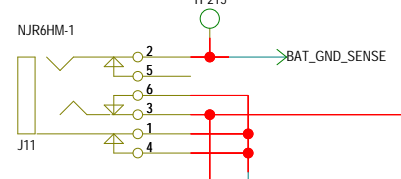


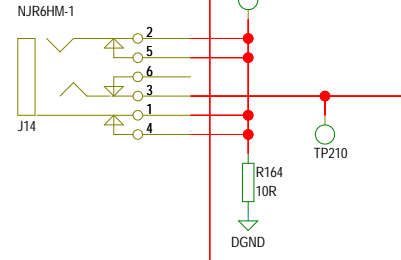
M1
P22386-A
pcb

TC Electronic				Designer(s) HJE/PRO
Title 1279-FOURPLAY				Module title MODULE TITLE
Number P22386	Revision A	Variant D	Version B	Board type MAINBOARD
Date 16/06/2016:16:22	Filename			Page / of 1 / 5

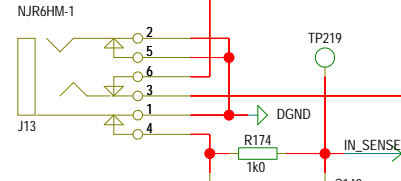
INPUT L



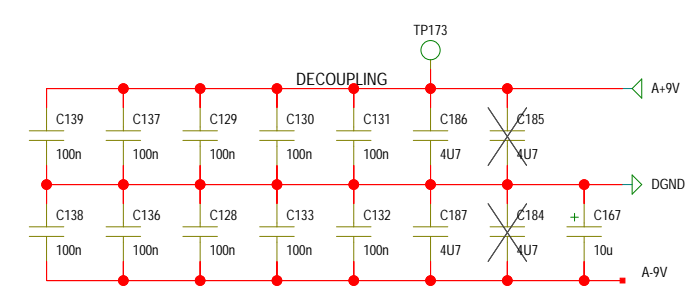
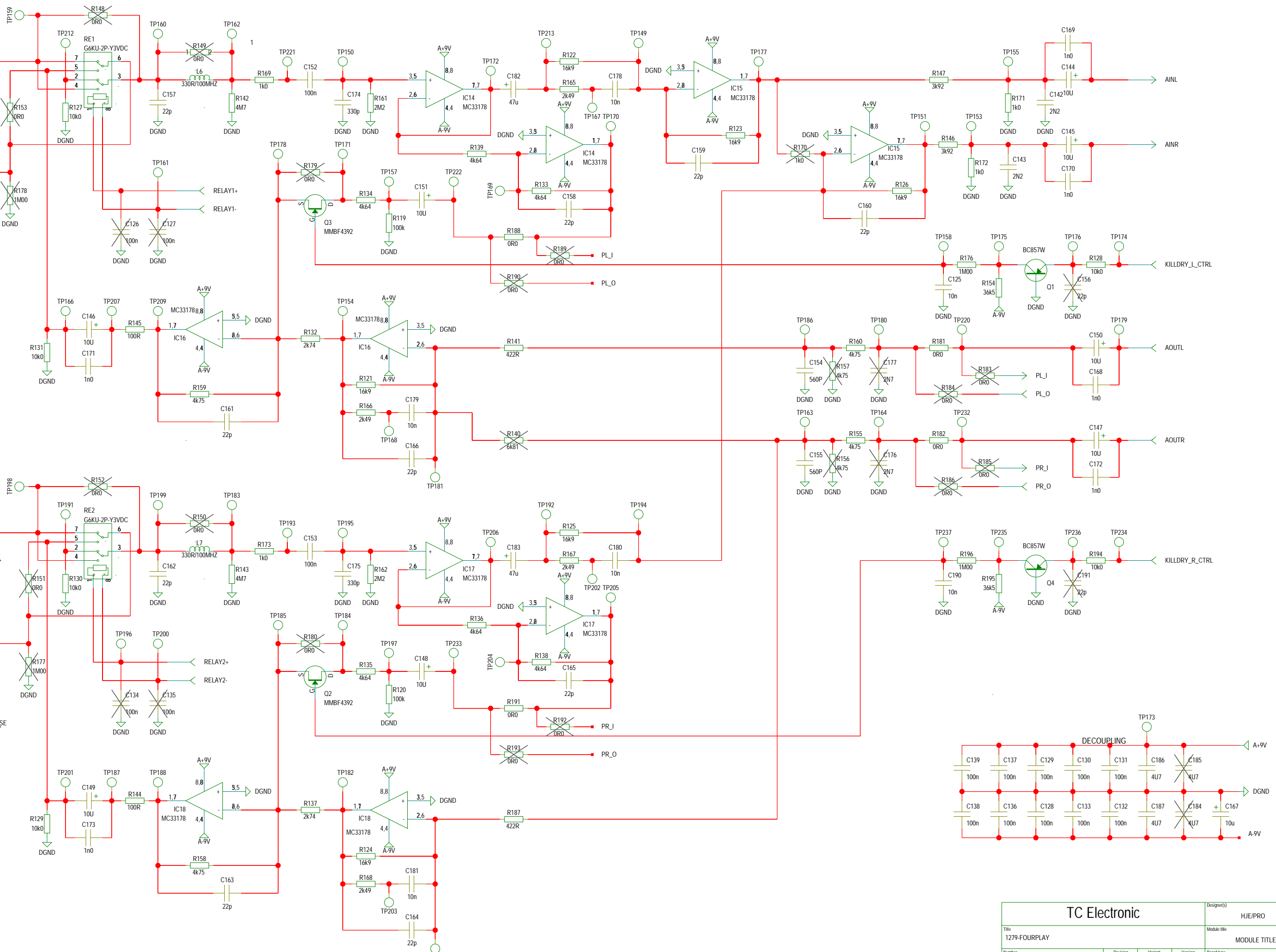
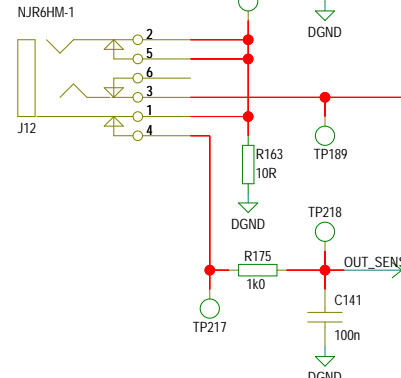
OUTPUT L



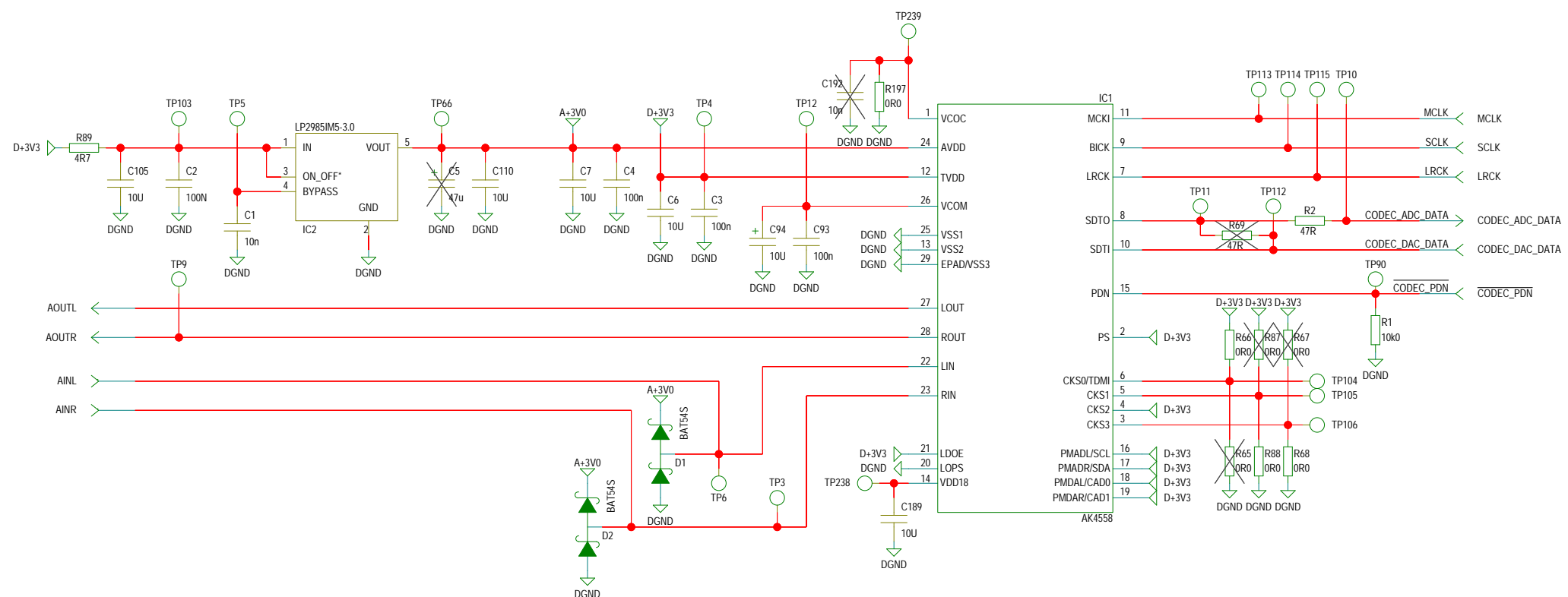
INPUT R



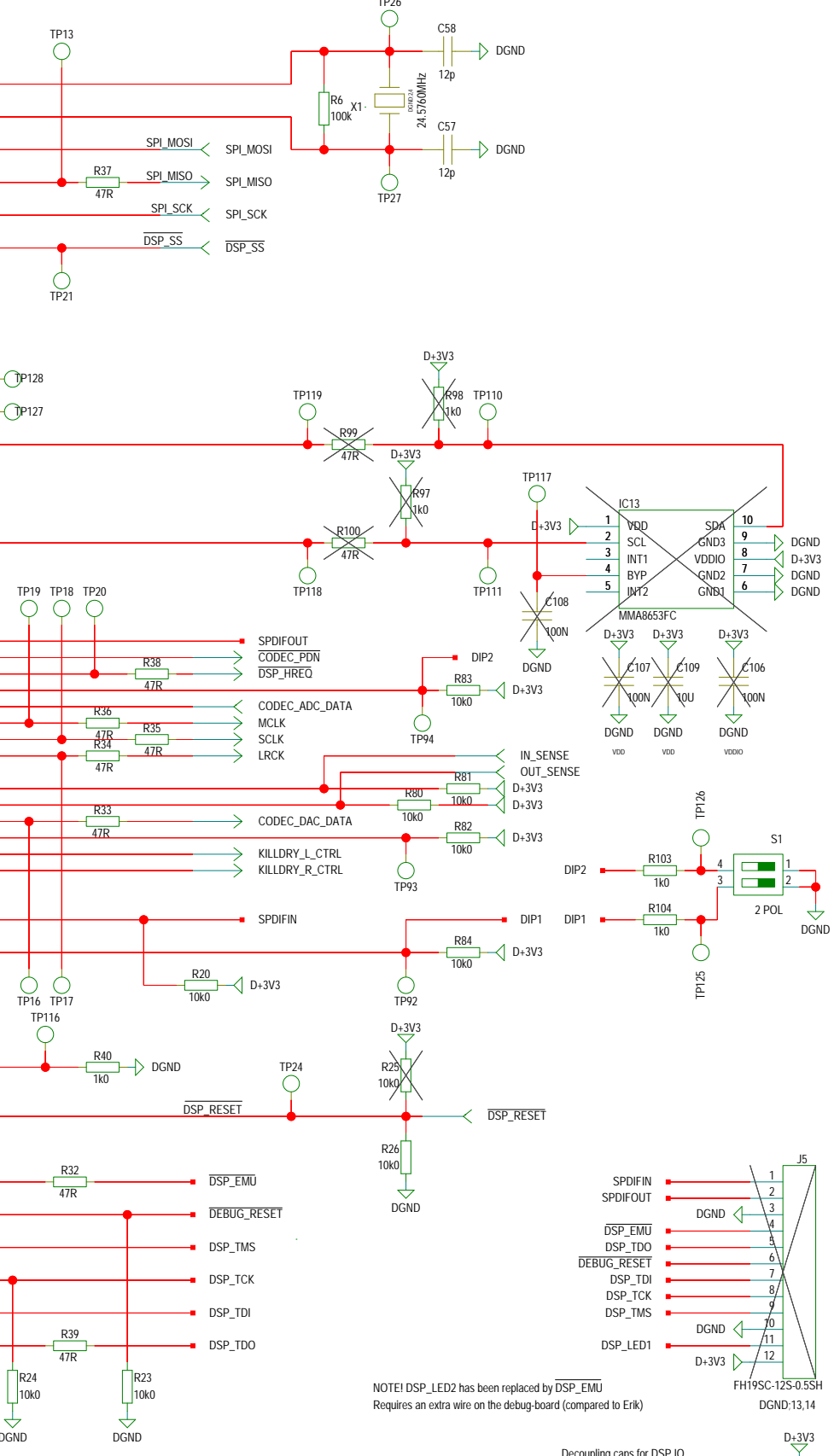
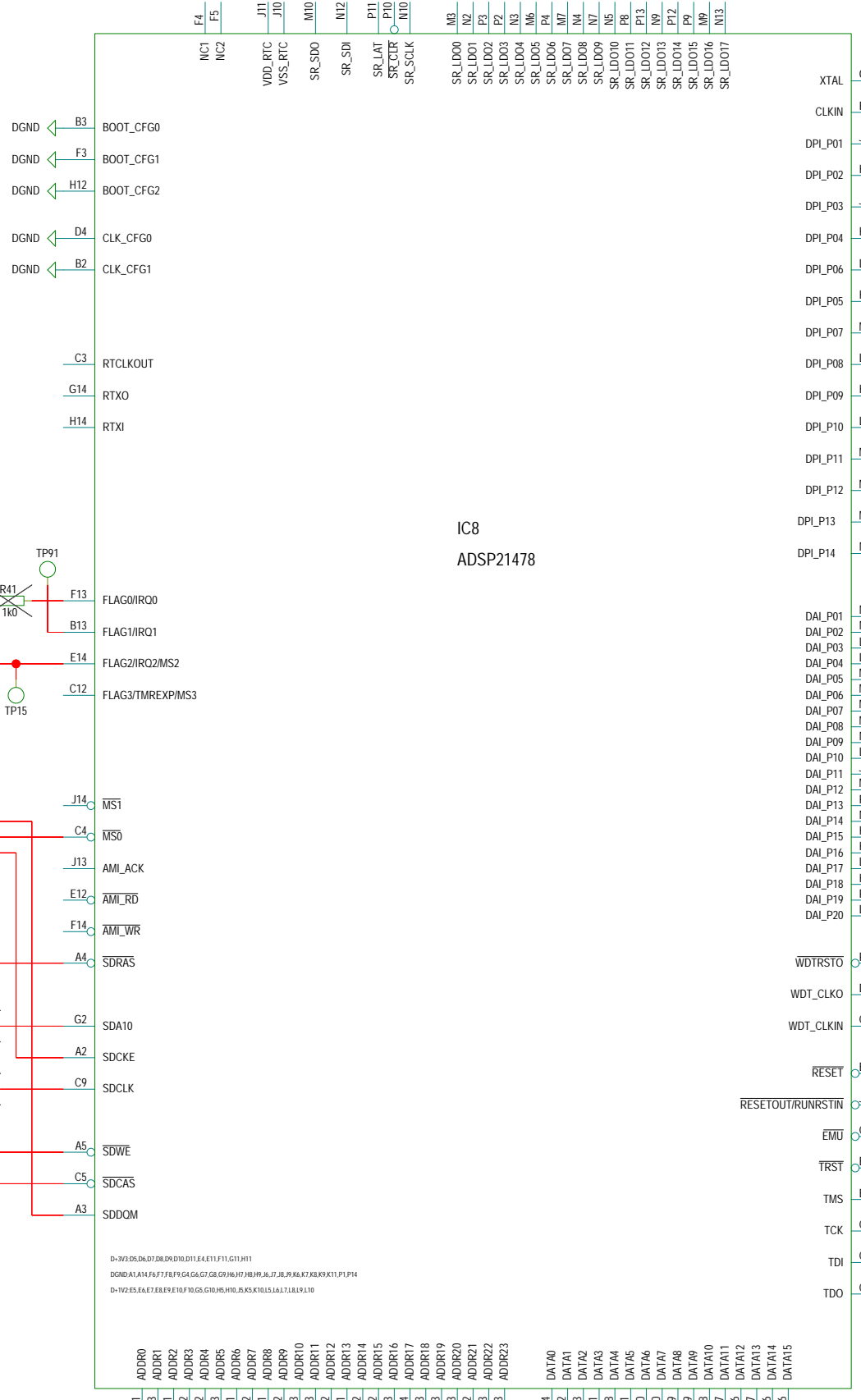
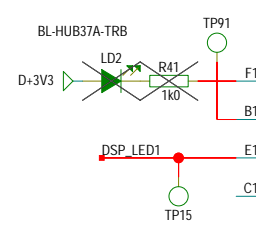
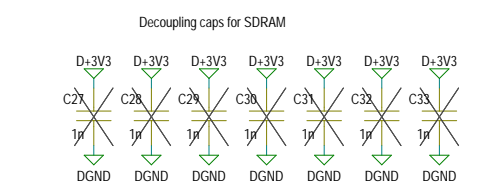
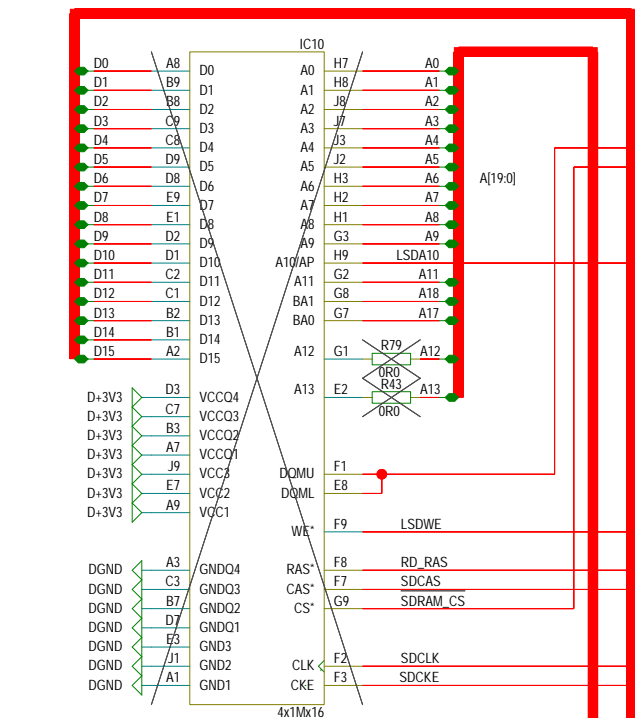
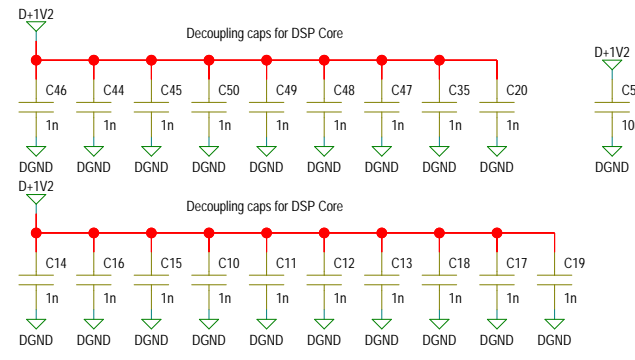
OUTPUT R



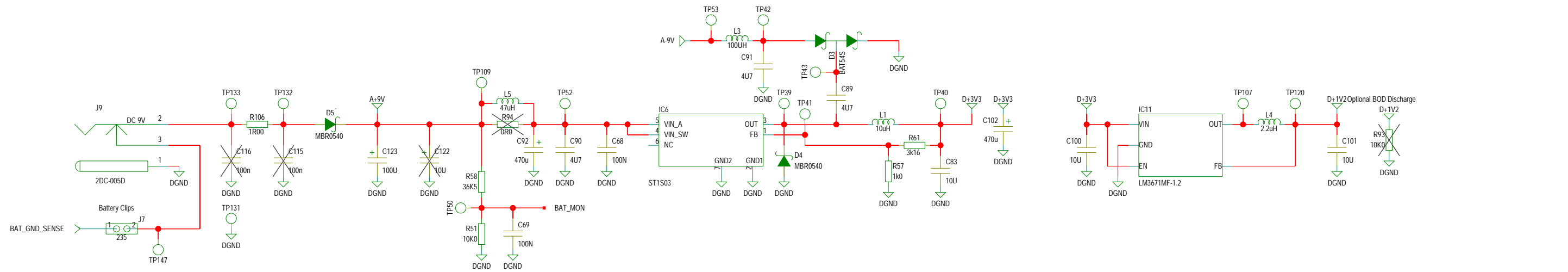
TC Electronic				Designer(s)	HJE/PRO
Title		1279-FOURPLAY		Module title	MODULE TITLE
Number	P22386	Revision	A	Variant	D
		Version	B	Board type	MAINBOARD
Date	16/06/2016:16:22	Filename	ANALOG	Page / of	5 / 5



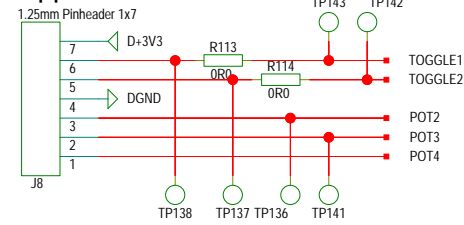
TC Electronic				Designer(s)	HJE/PRO
Title 1279-FOURPLAY				Module title	MODULE TITLE
Number P22386	Revision A	Variant D	Version B	Board type	MAINBOARD
Date 16/06/2016:16:22	Filename codec			Page / of 4 / 5	



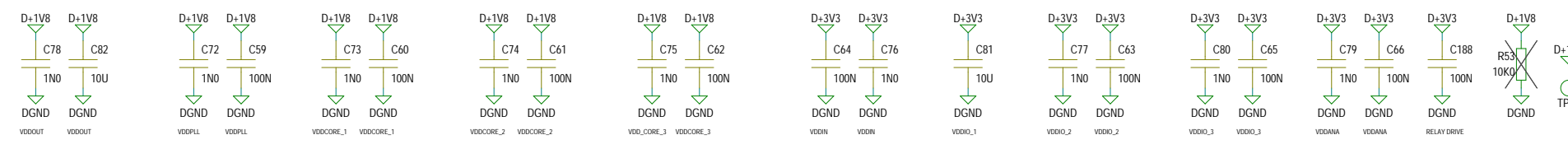
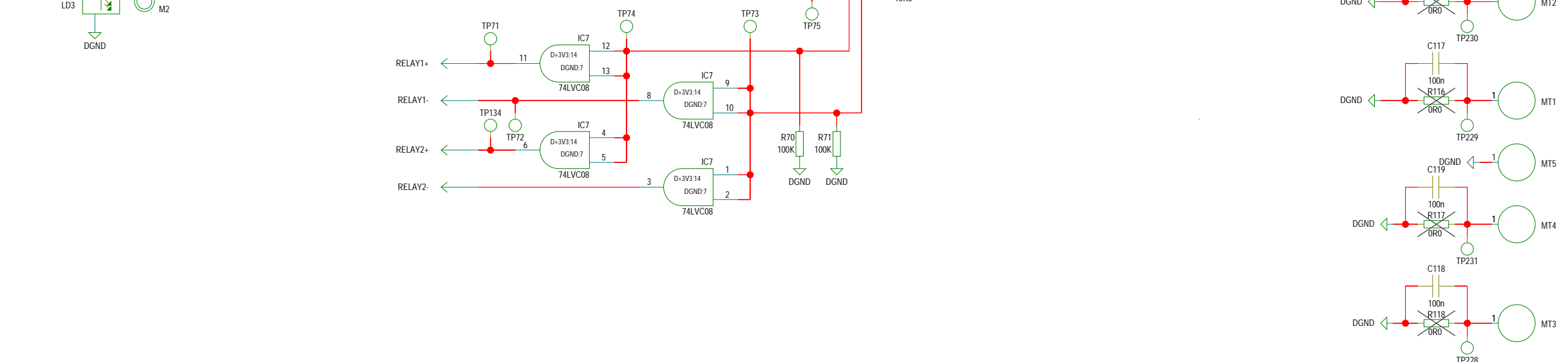
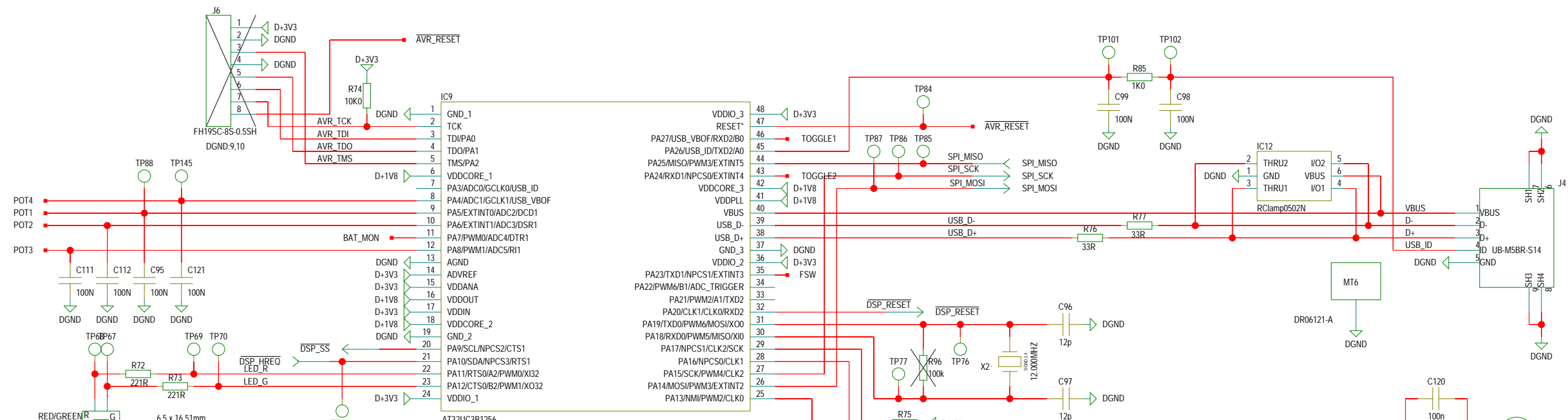
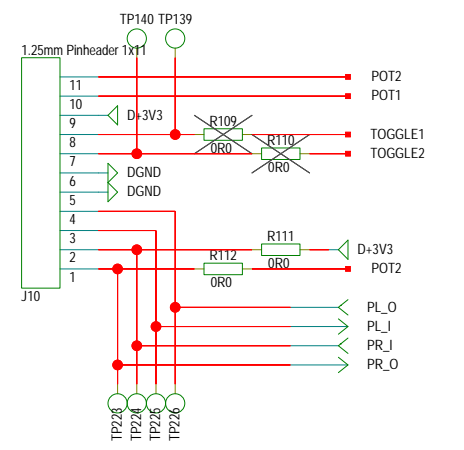
TC Electronic				Designer(s)	HJE/PRO
Title	1279-FOURPLAY			Module title	MODULE TITLE
Number	P22386	Revision	A	Variant	D
		Version	B	Board type	MAINBOARD
Date	16/06/2016:16:22	Filename	dsp	Page / of	3 / 5



Upper Pots



Lower Pots



TC Electronic				Designer(s) HJE/PRO	
Title 1279-FOURPLAY				Module title MODULE TITLE	
Number P22386	Revision A	Variant D	Version B	Board type MAINBOARD	
Date 16/06/2016:16:22	Filename uc_and_connects			Page / of 2 / 5	