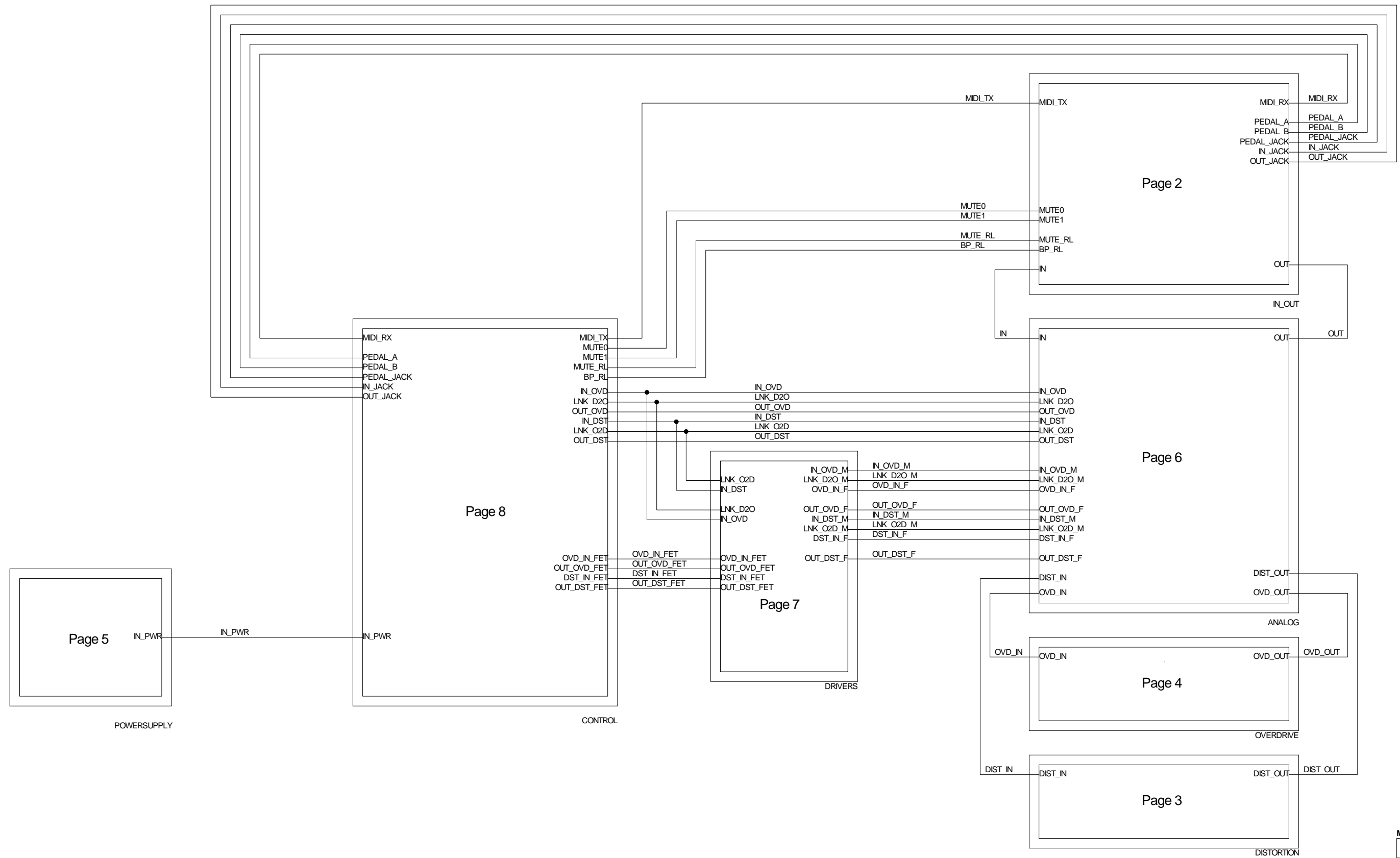
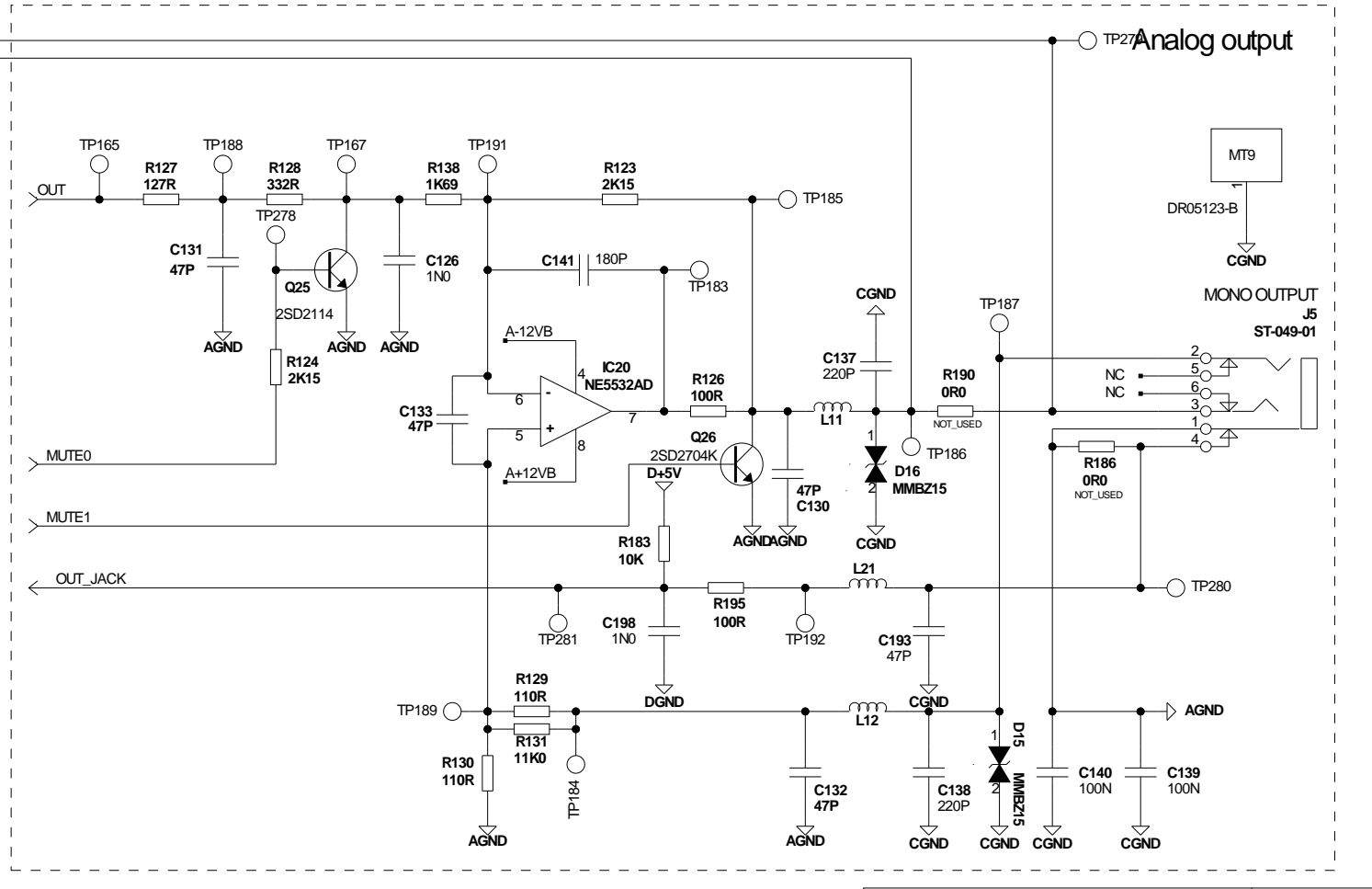
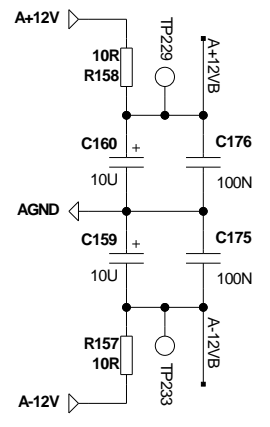
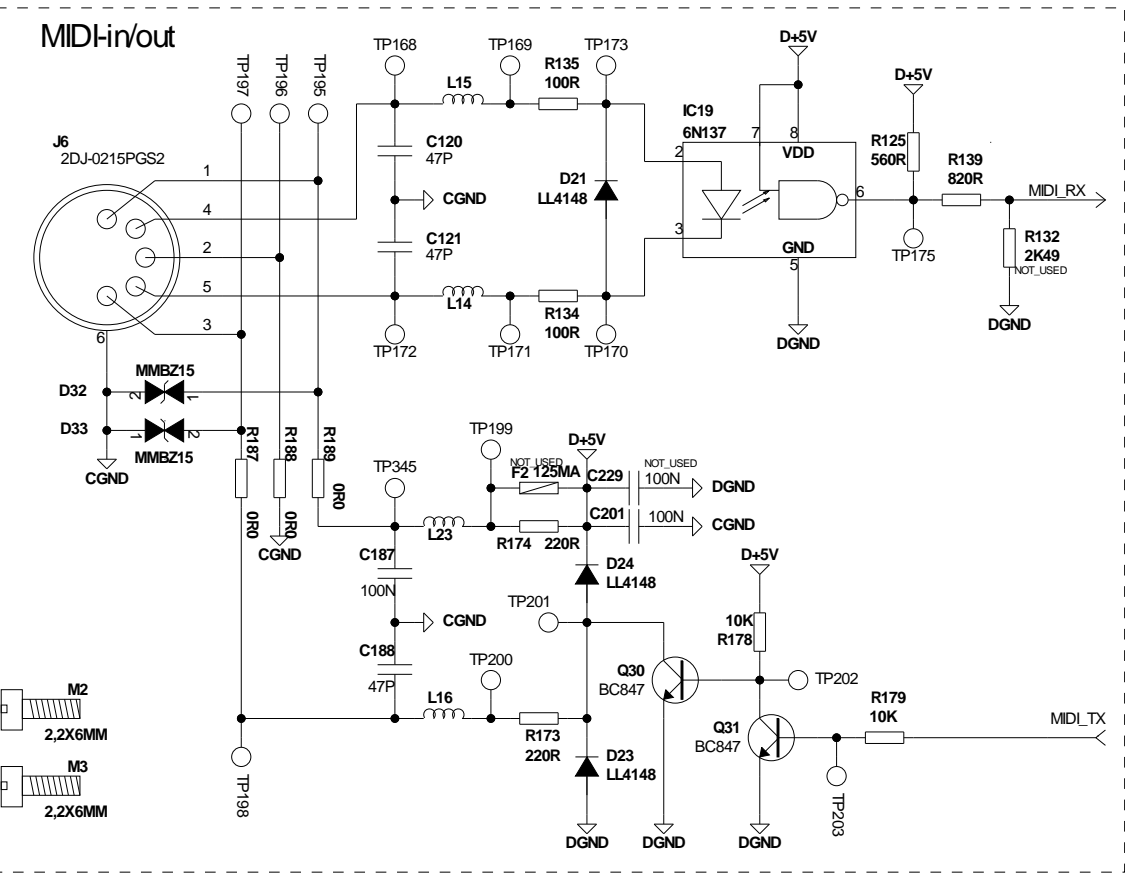
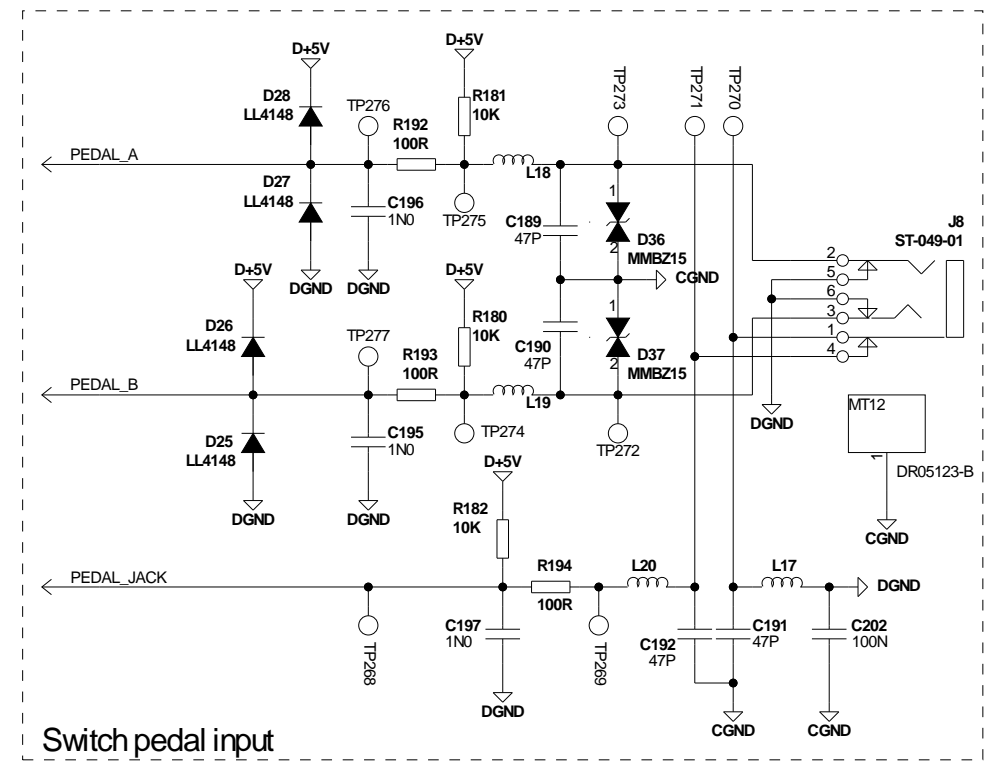
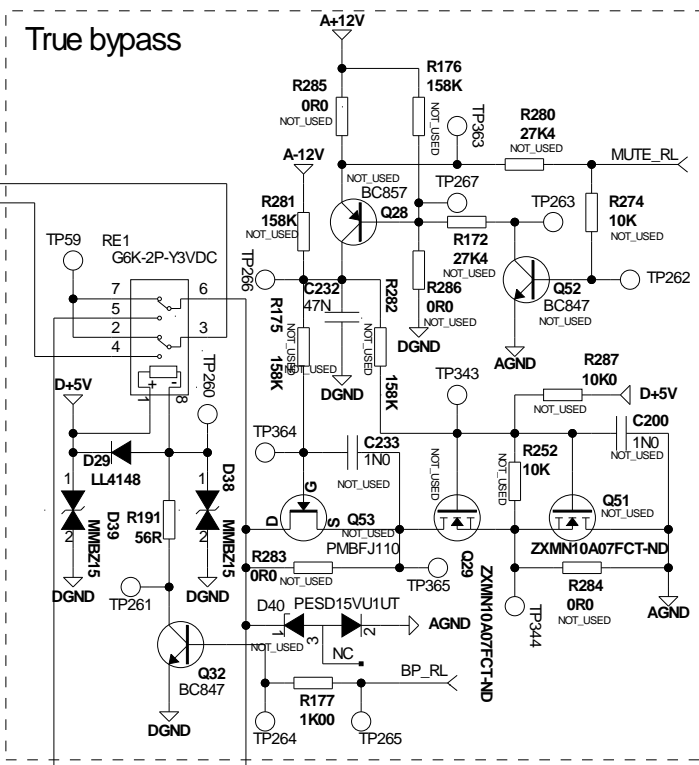
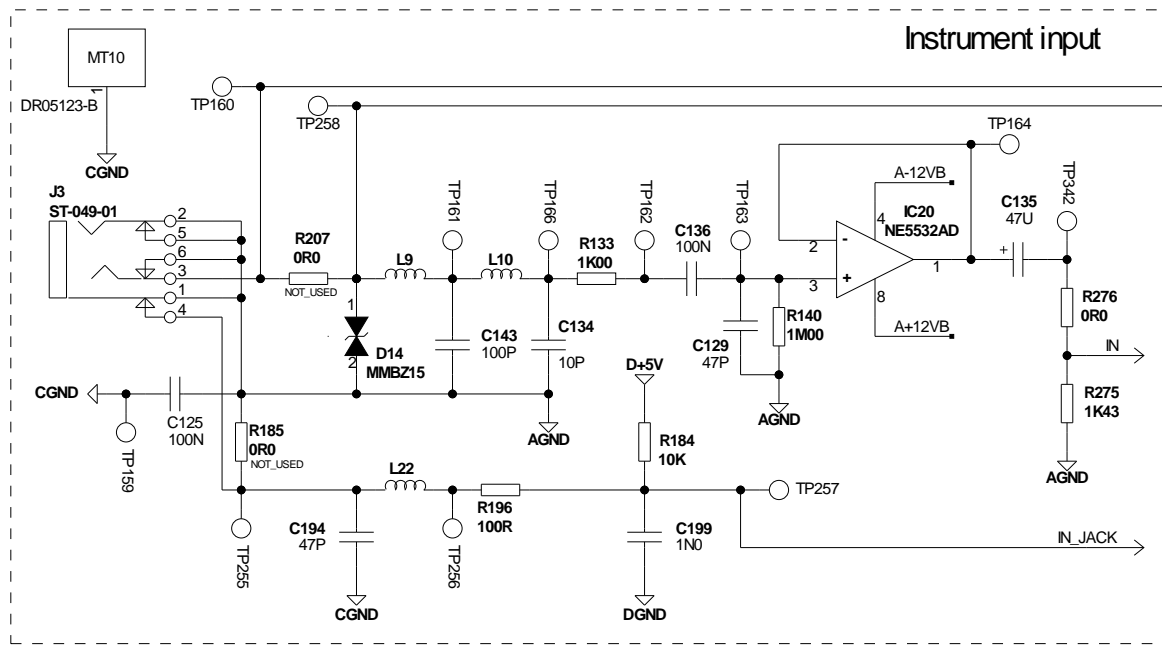


HANS DUAL DISTORTION

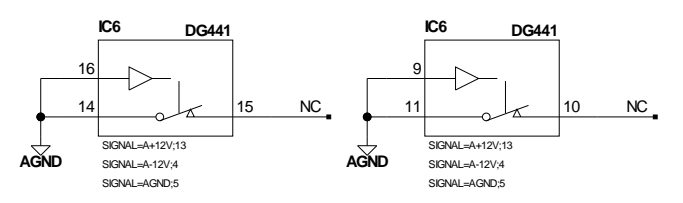
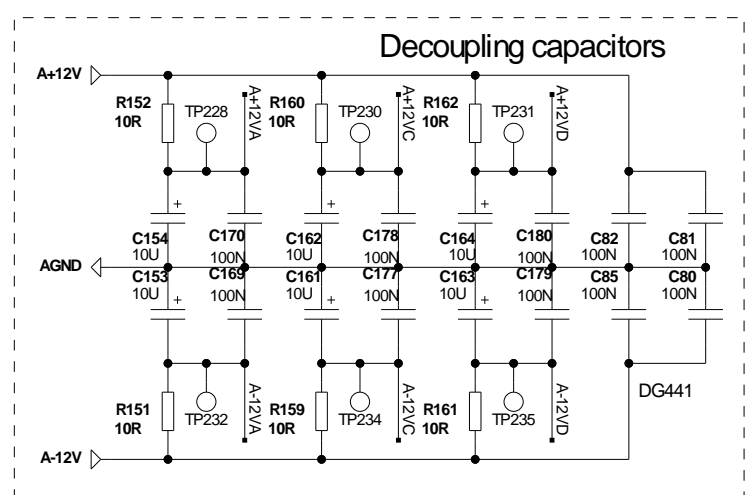
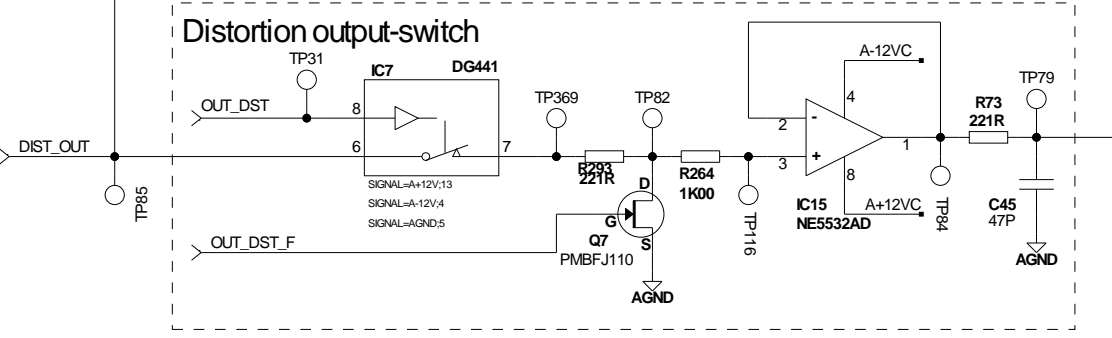
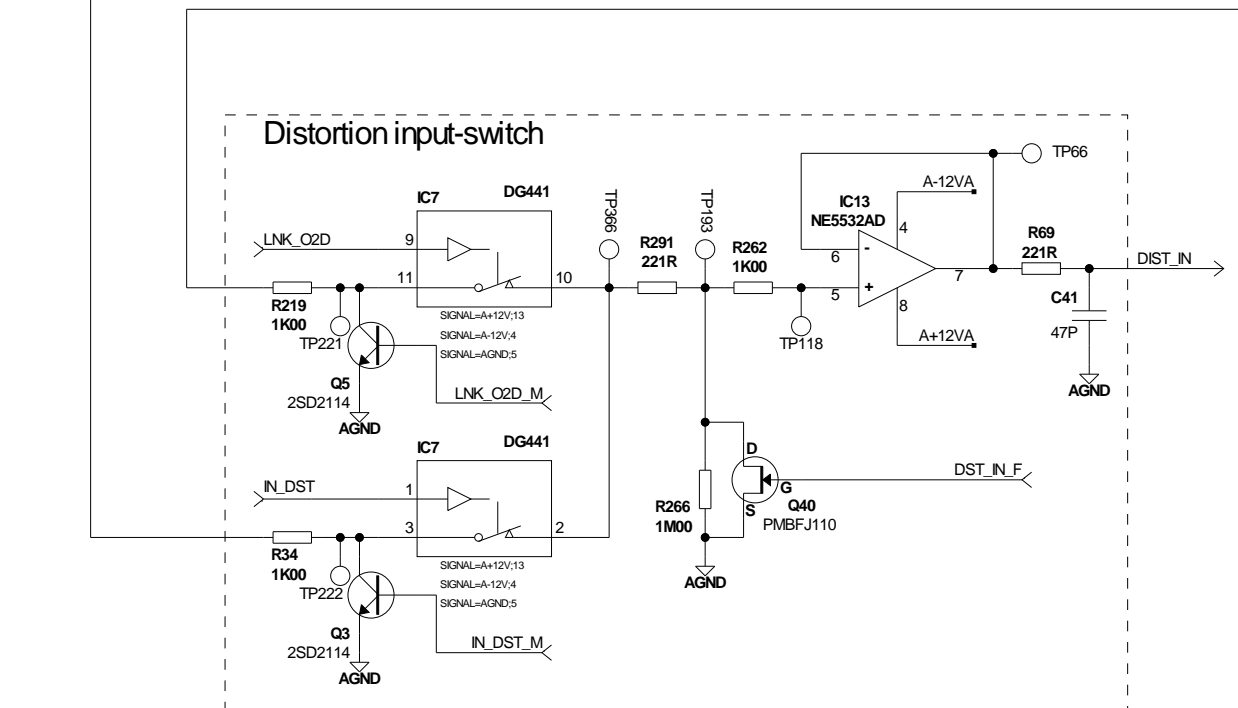
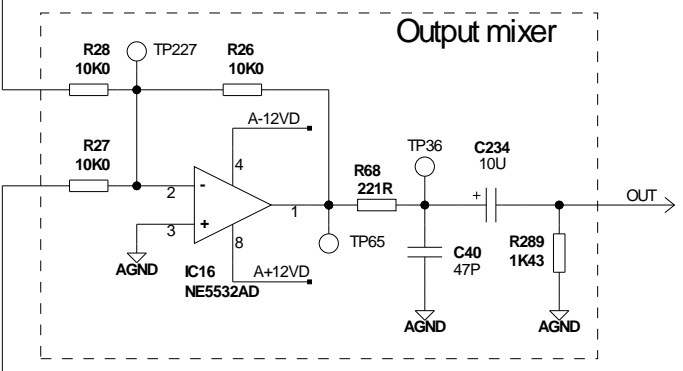
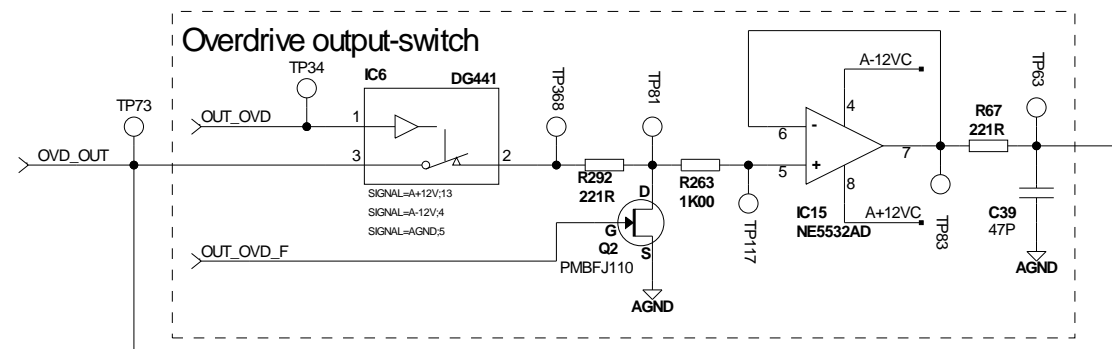
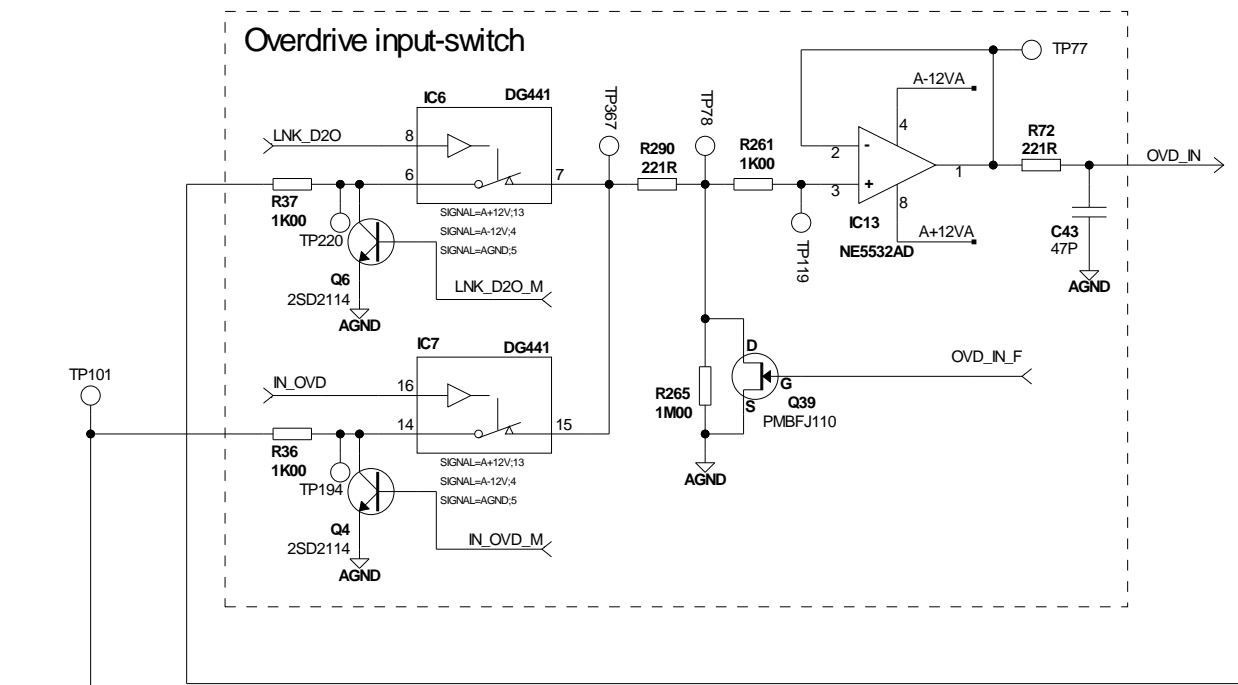


M1
P22619-C

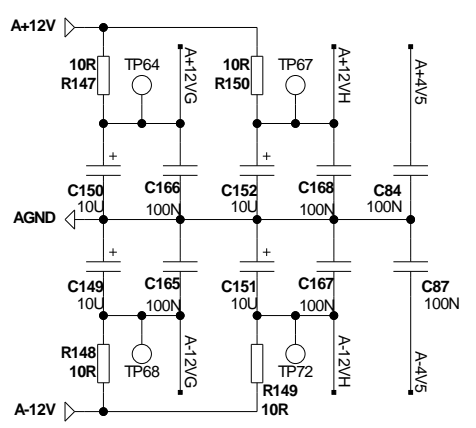
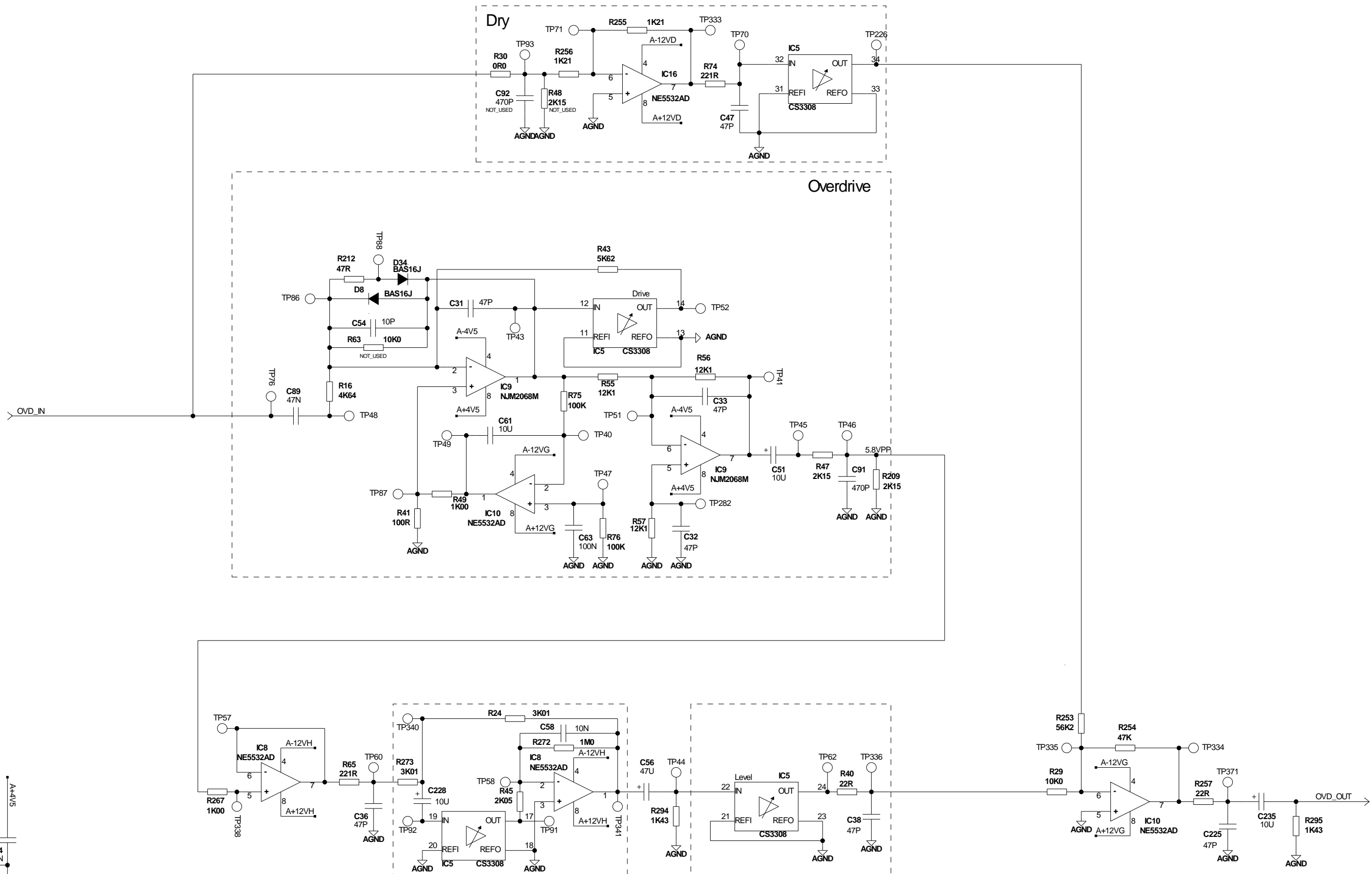
TC Electronic A/S		Designer
HANS 5D MAINBOARD		MOJENS
Number	Revision	Previous page
P22619	CAB	-
Date	Filename	Page / of
4-3-2009 10:50	P22619-C	1 / 8



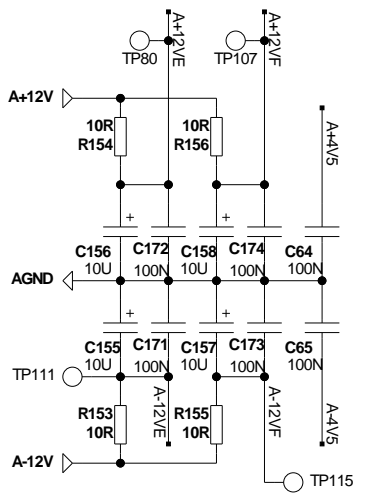
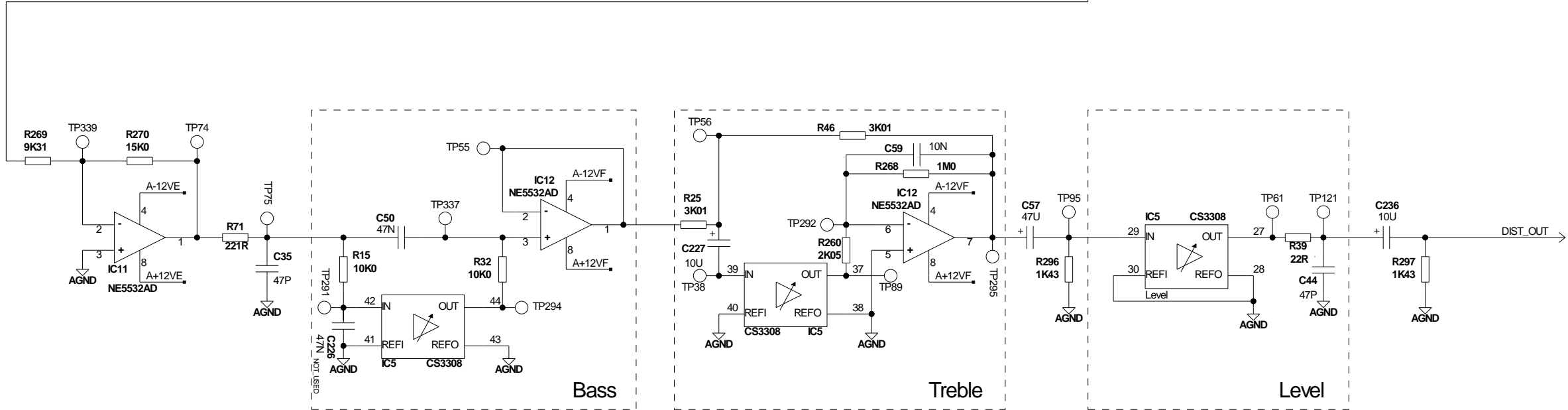
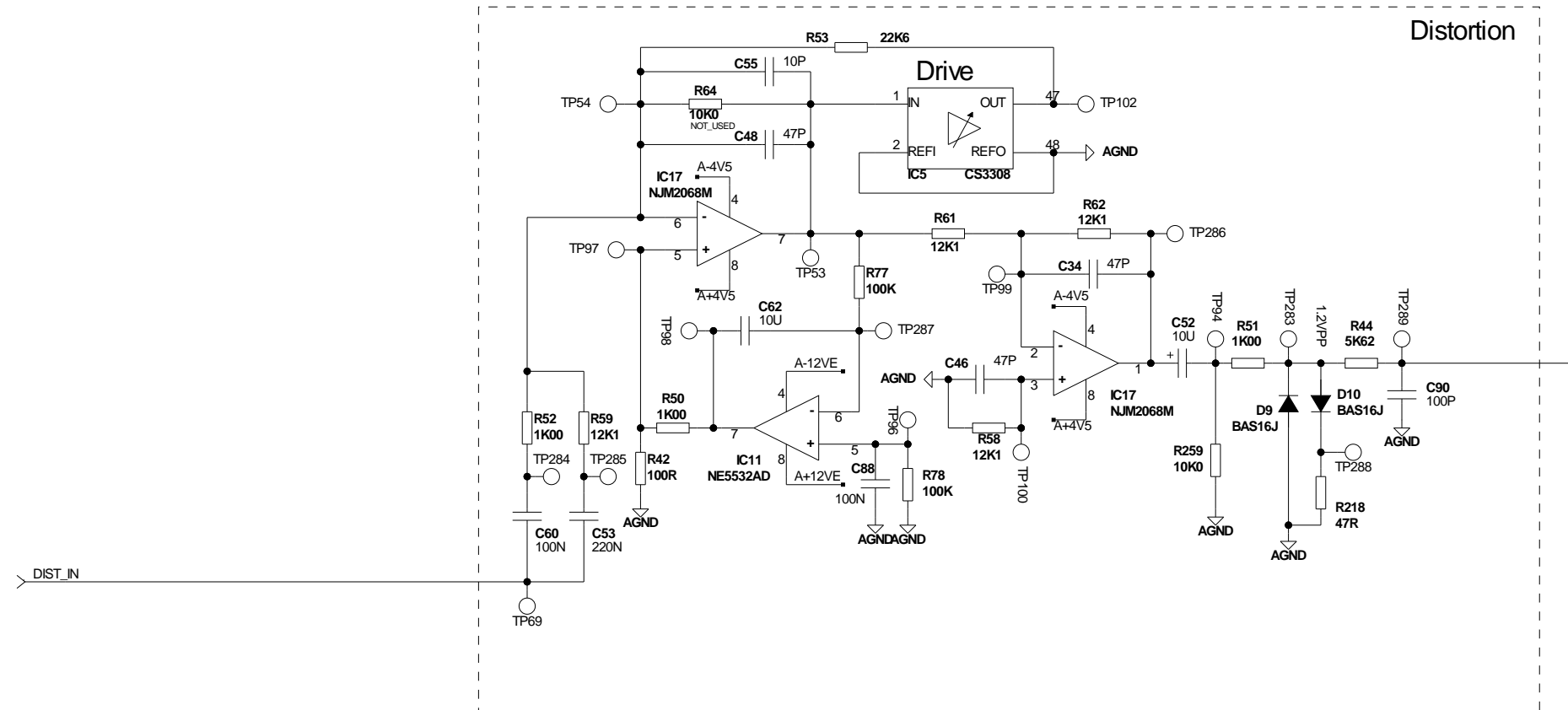
TC Electronic A/S		Designer	MOJENS
Title	HANS 5D MAINBOARD	Module title	IN_OUT
Number	P22619	Revision	CAB
Date	4-16-2009_14:47	Filename	IN_OUT
		Previous page	1
		Page / of	2 / 8



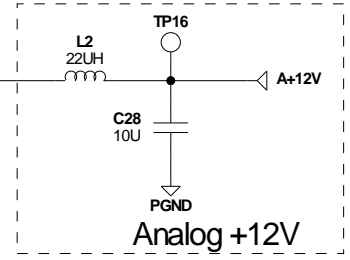
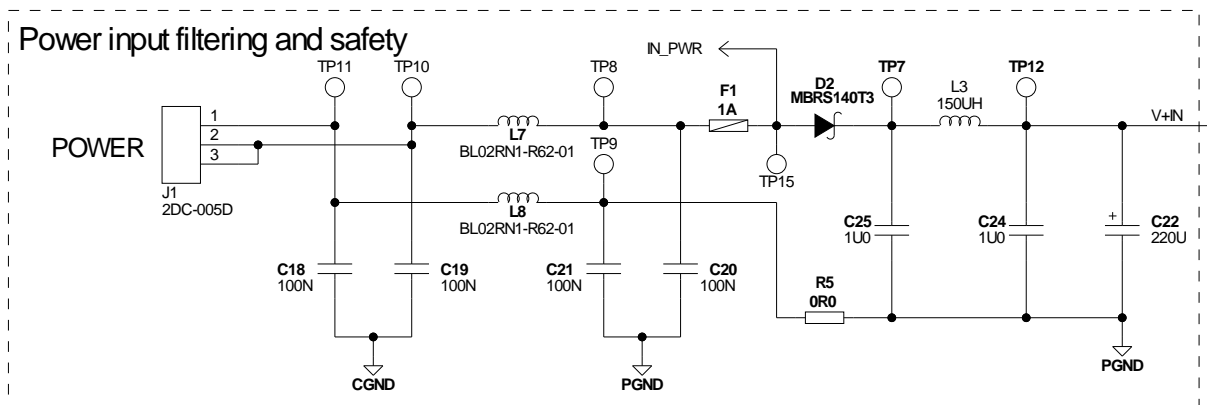
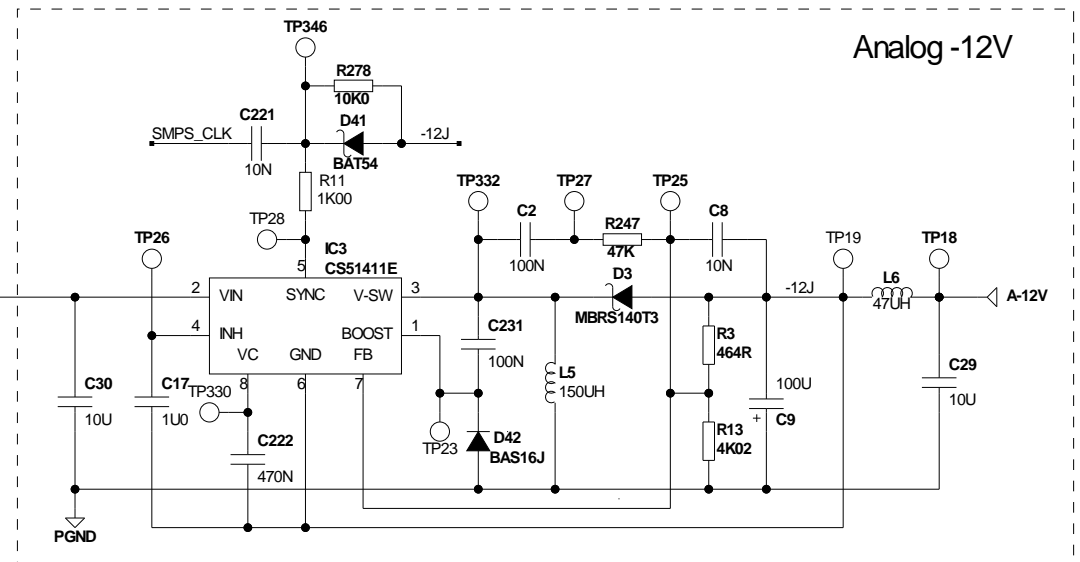
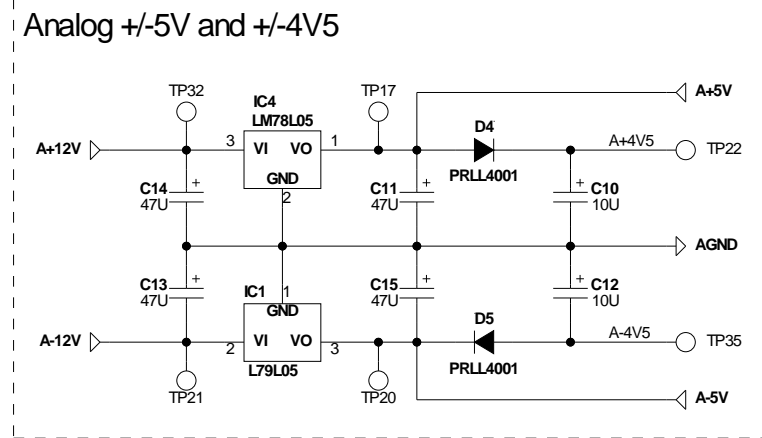
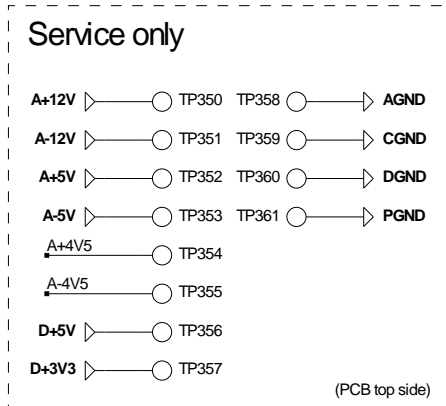
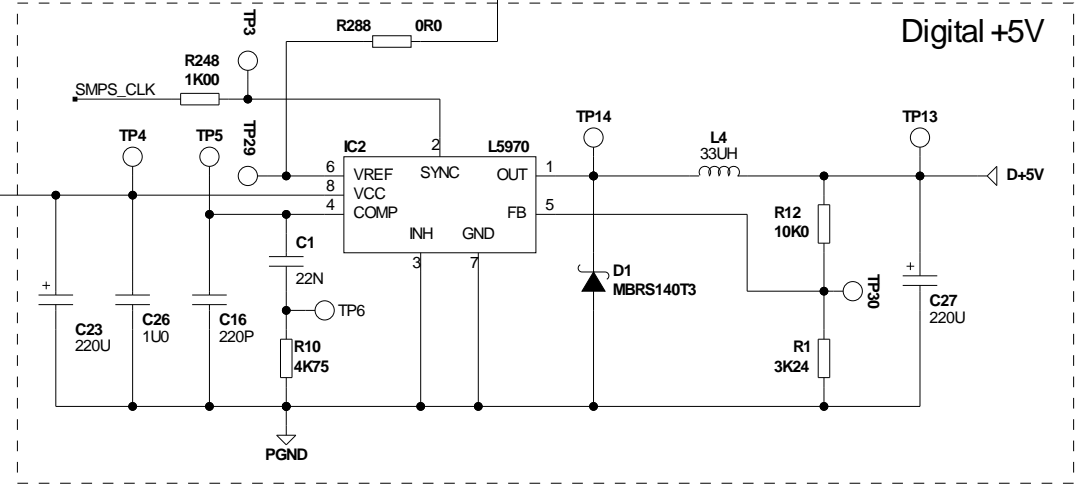
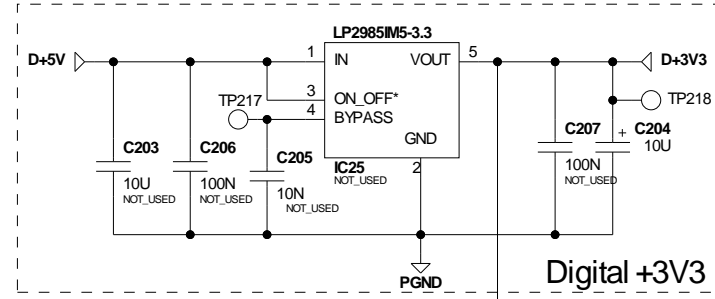
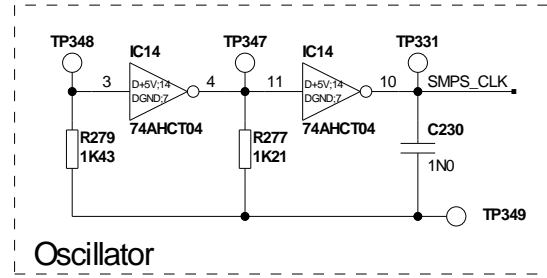
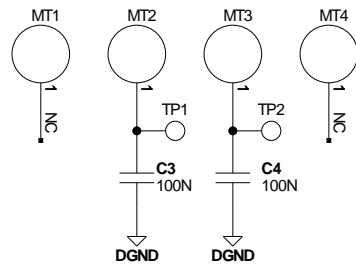
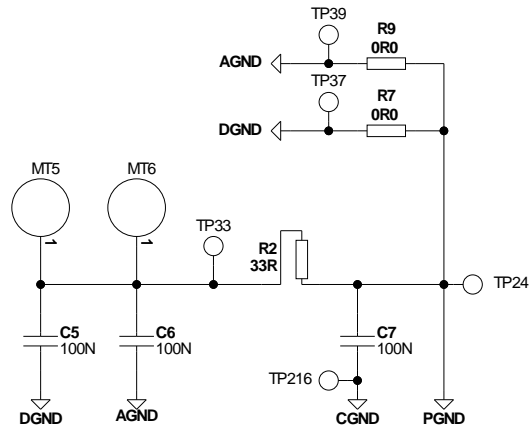
TC Electronic A/S		Designer MOJENS
Title HANS 5D MAINBOARD		Module title ANALOG
Number P22619	Revision CAB	Previous page 5
Date 4-13-2009_19:02	Filename ANALOG	Page / of 6 / 8



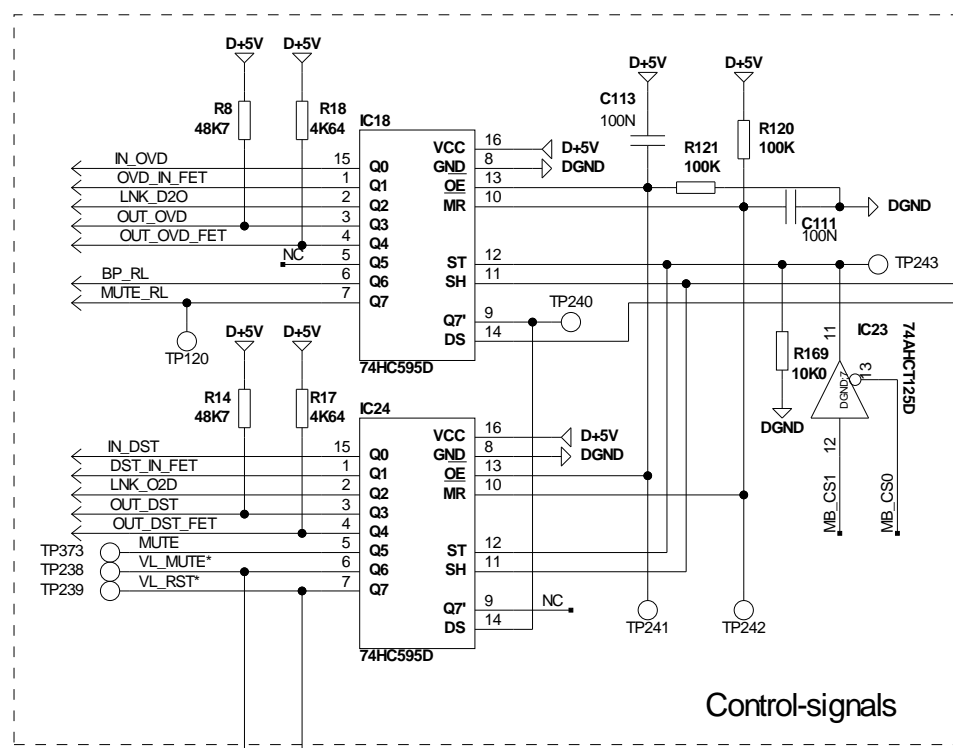
TC Electronic A/S		Designer MOJENS
Title HANS 5D MAINBOARD		Module title OVERDRIVE
Number P22619	Revision CAB	Previous page 3
Date 4-16-2009 14:49	Filename OVERDRIVE	Page / of 4 / 8



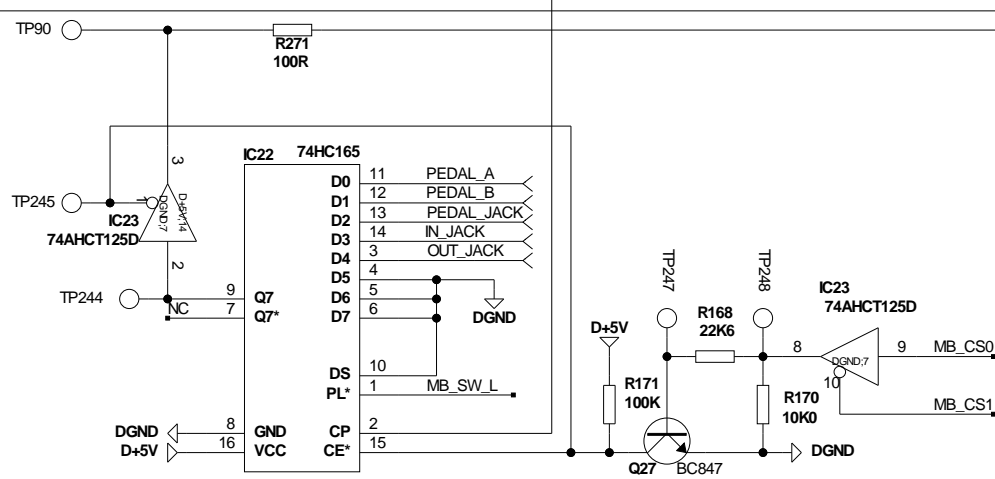
TC Electronic A/S		Designer MOJENS
Title HANS 5D MAINBOARD		Module title DISTORTION
Number P22619	Revision CAB	Previous page 2
Date 4-3-2009_10:50	Filename DISTORTION	Page / of 3 / 8



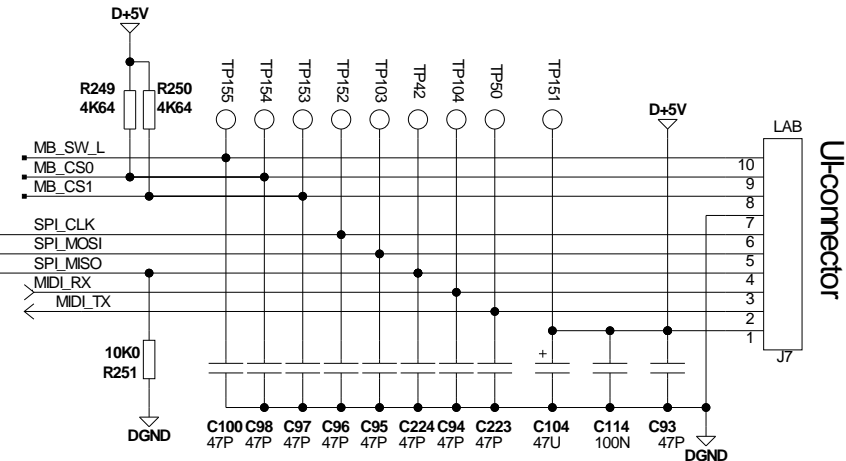
TC Electronic A/S		Designer MOJENS
Title HANS 5D MAINBOARD		Module title POWER SUPPLY
Number P22619	Revision CAB	Previous page 4
Date 4-16-2009_13:28	Filename POWERSUPPLY	Page / of 5 / 8



Control-signals

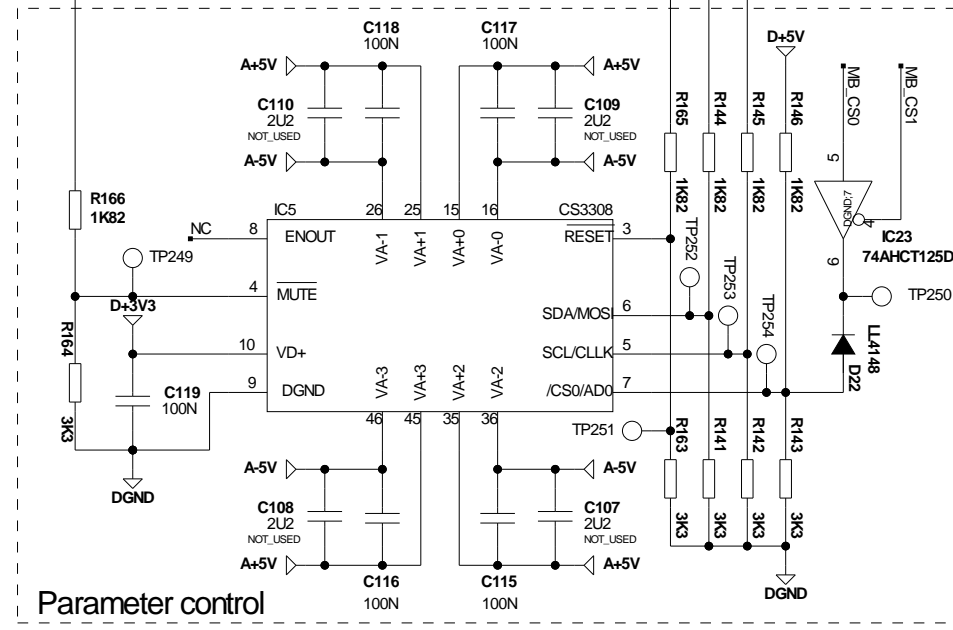
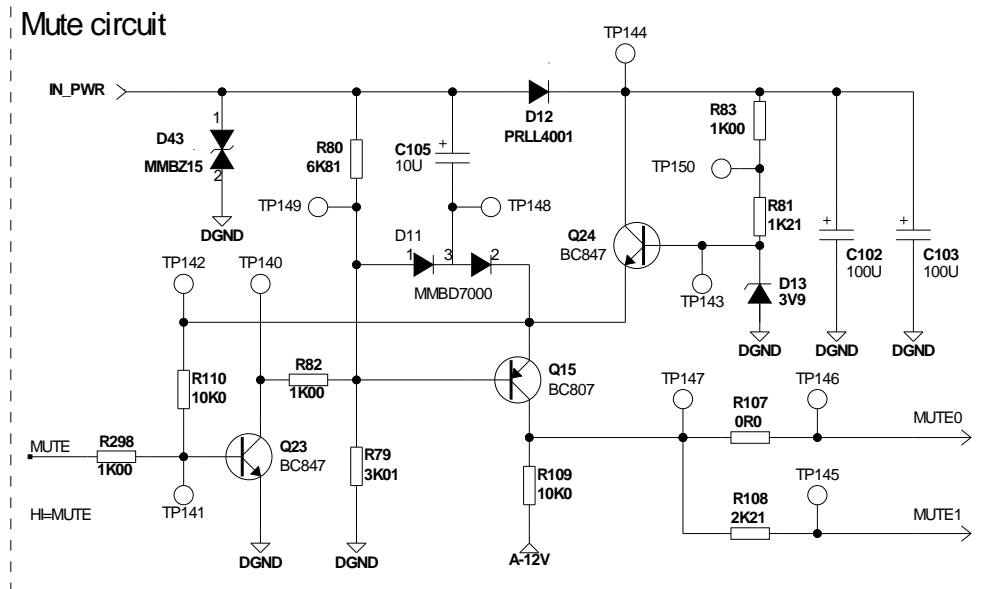


Parameter control

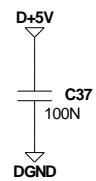
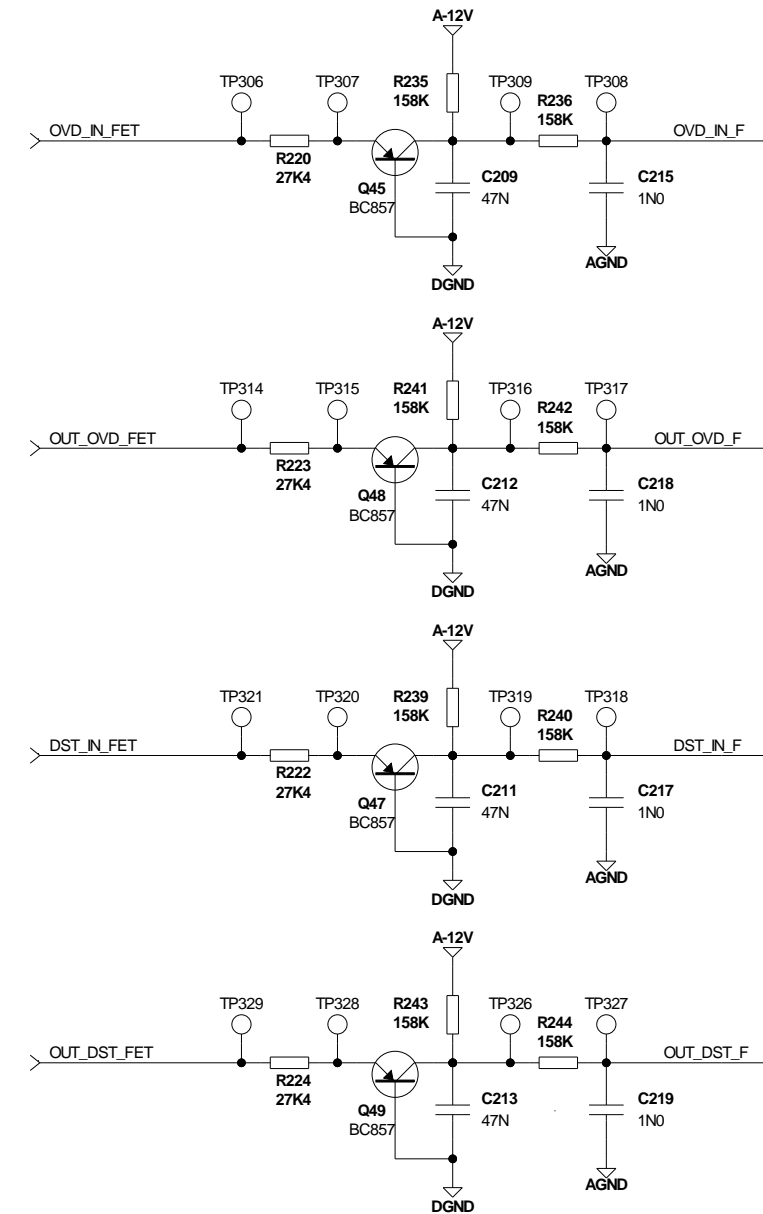
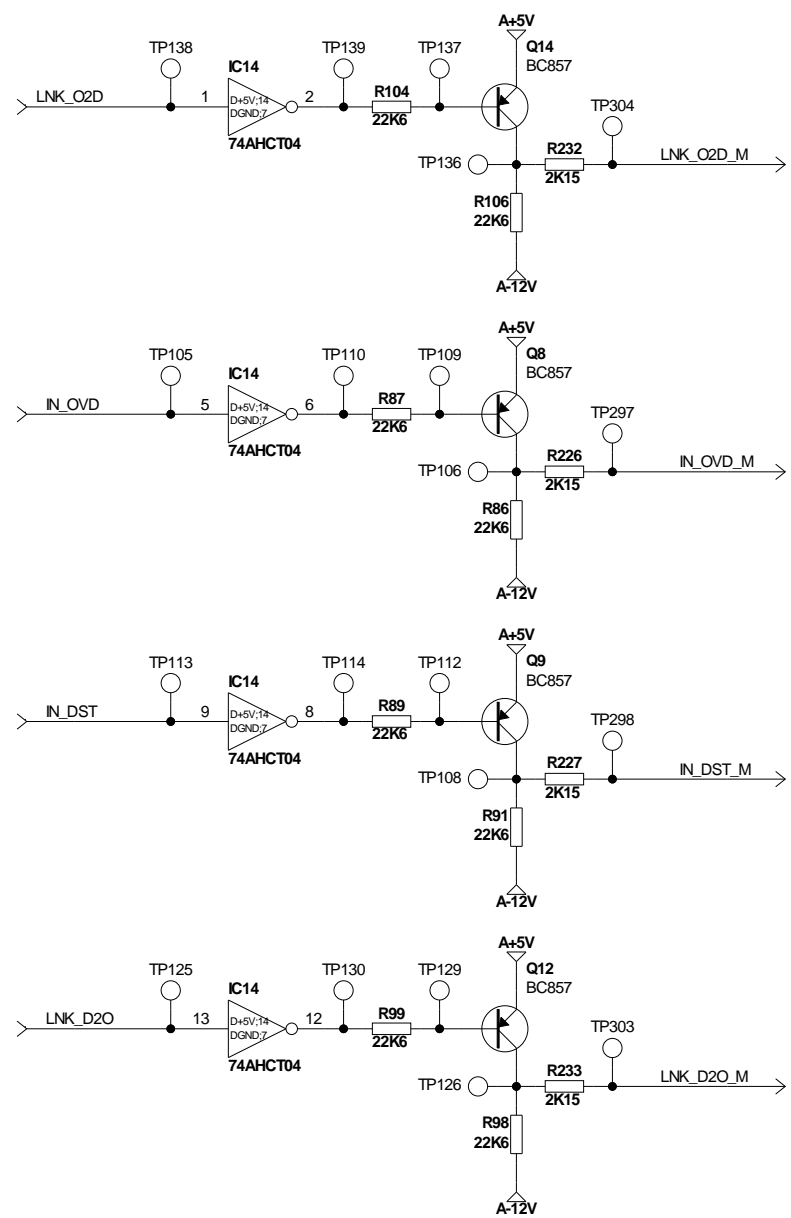


UL-connector

Mute circuit



Function	Signals	MB_CS0	MB_CS1
Chip select CS3308 (IC5)		L	L
Latch switch inputs (IC22)		H	L
Latch dig. outs (IC18+24)		L	H
Idle		H	H



TC Electronic A/S		Designer MOJENS
Title HANS 5D MAINBOARD		Module title DRIVERS
Number P22619	Revision CAB	Previous page 6
Date 4-13-2009_18:10	Filename DRIVERS	Page / of 7 / 8