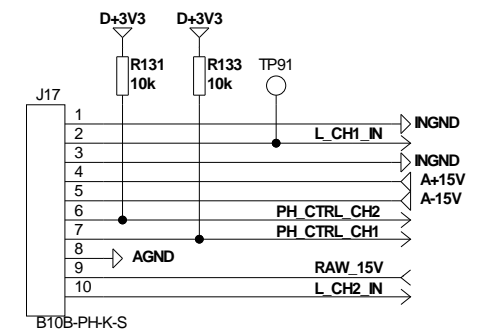
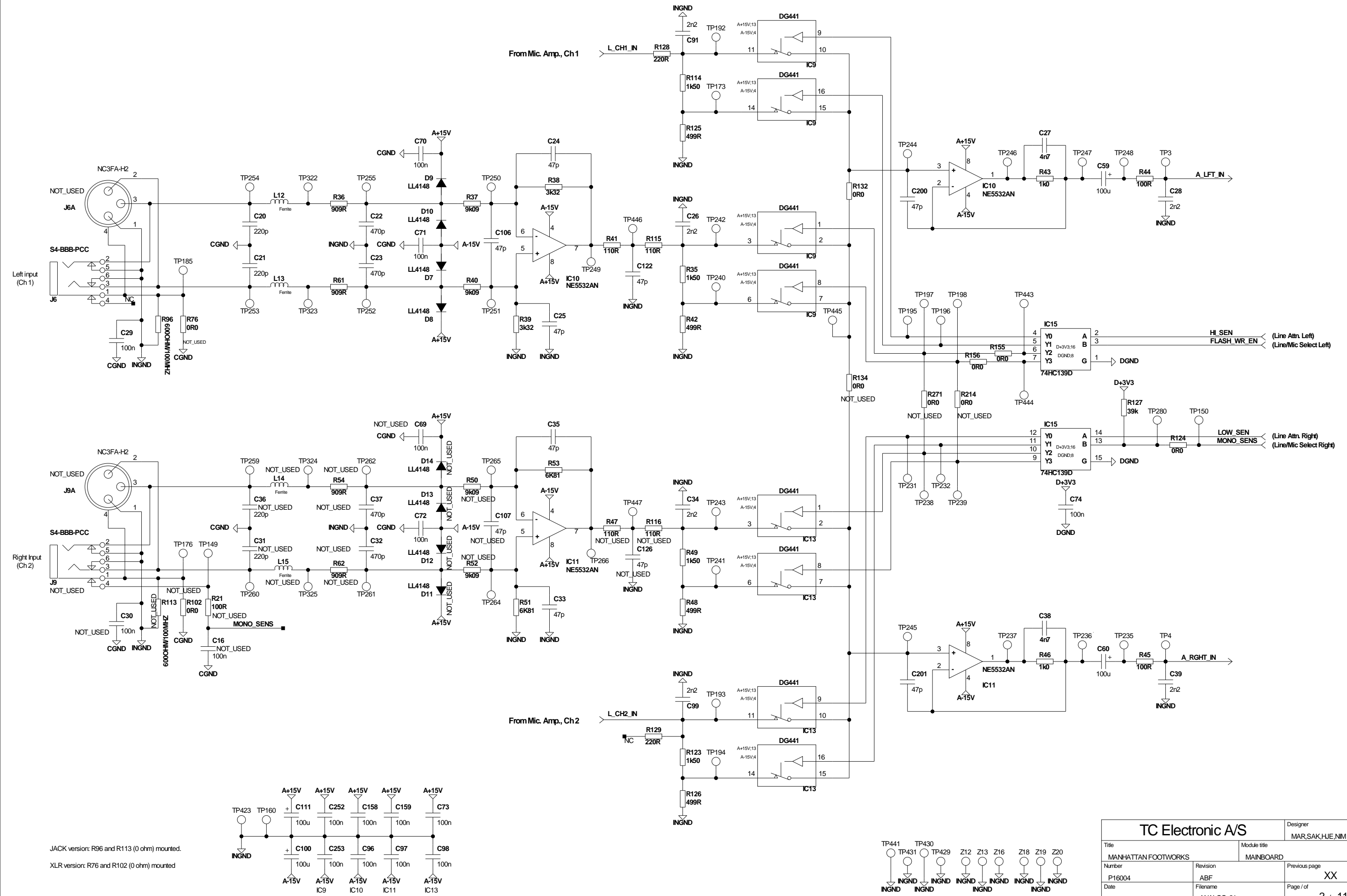


P16004-A  
M10

<b>TC Electronic A/S</b>		Designer MAR.SAK.HJE.NIM
Title MANHATTAN FOOTWORKS		Module title MAINBOARD
Number P16004	Revision ABF	Previous page XX
Date 1-23-2008_15:24	Filename P16004-A	Page / of 1 / 11



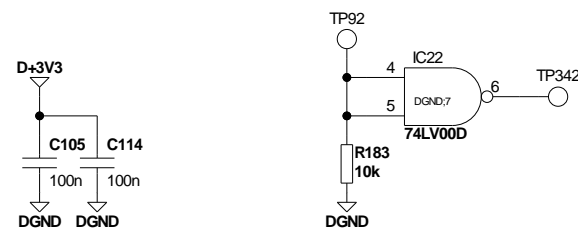
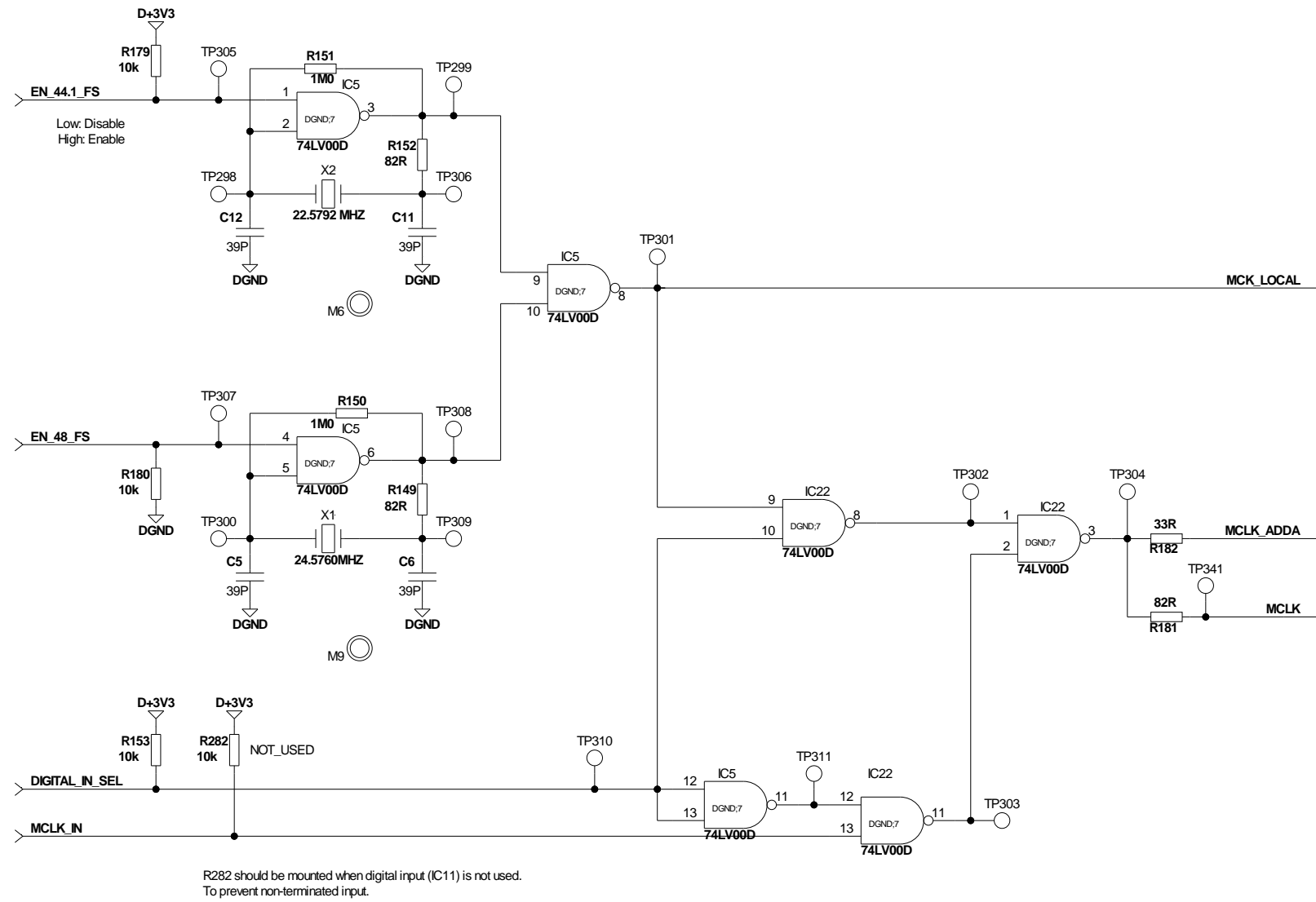
<b>TC Electronic A/S</b>		Designer MAR.SAK.HJE.NIM
Title MANHATTAN FOOTWORKS		Module title MAINBOARD
Number P16004	Revision ABF	Previous page XX
Date 1-23-2008_15:27	Filename MIC_IN	Page / of 9 / 11

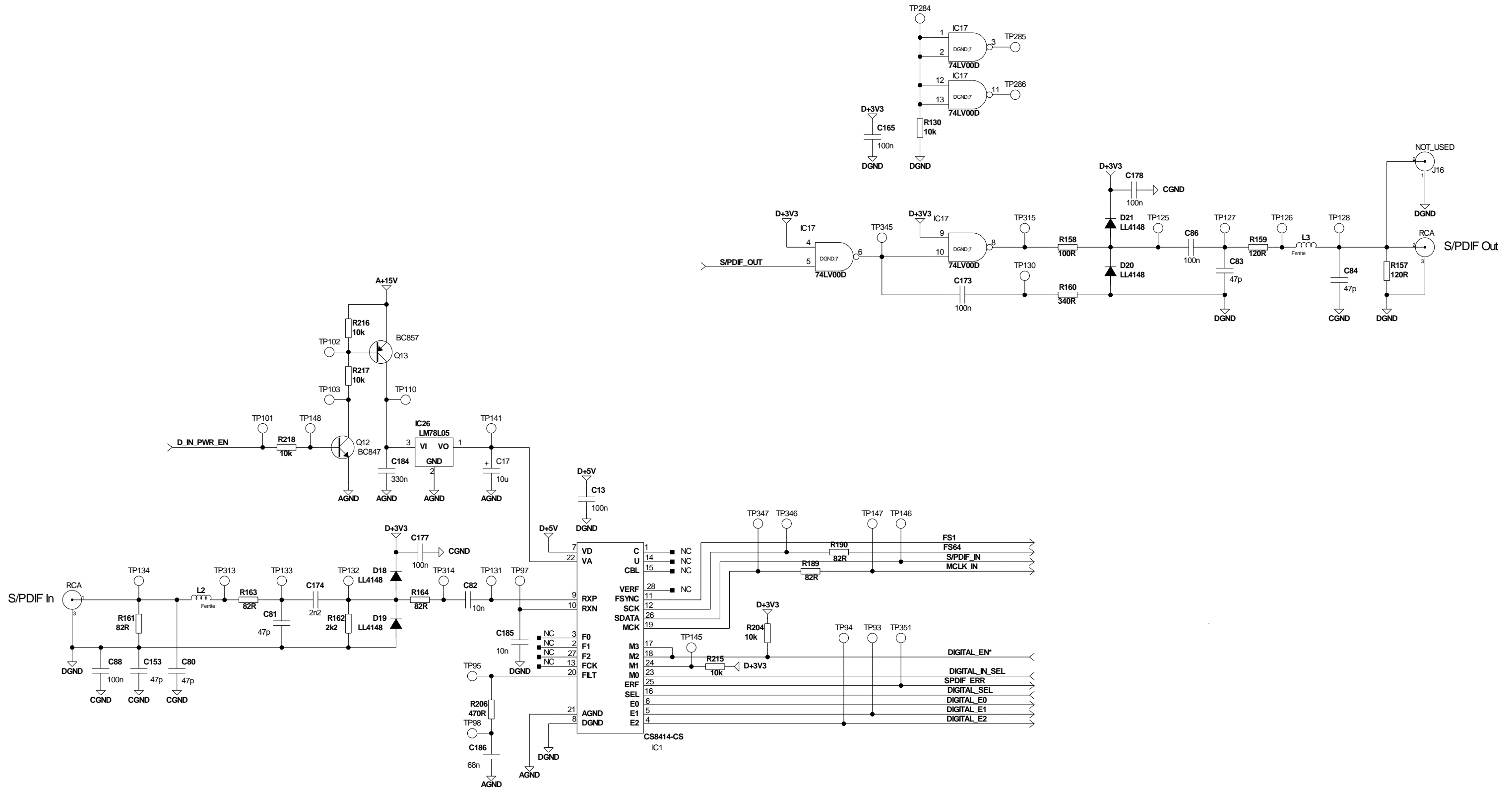


JACK version: R96 and R113 (0 ohm) mounted.

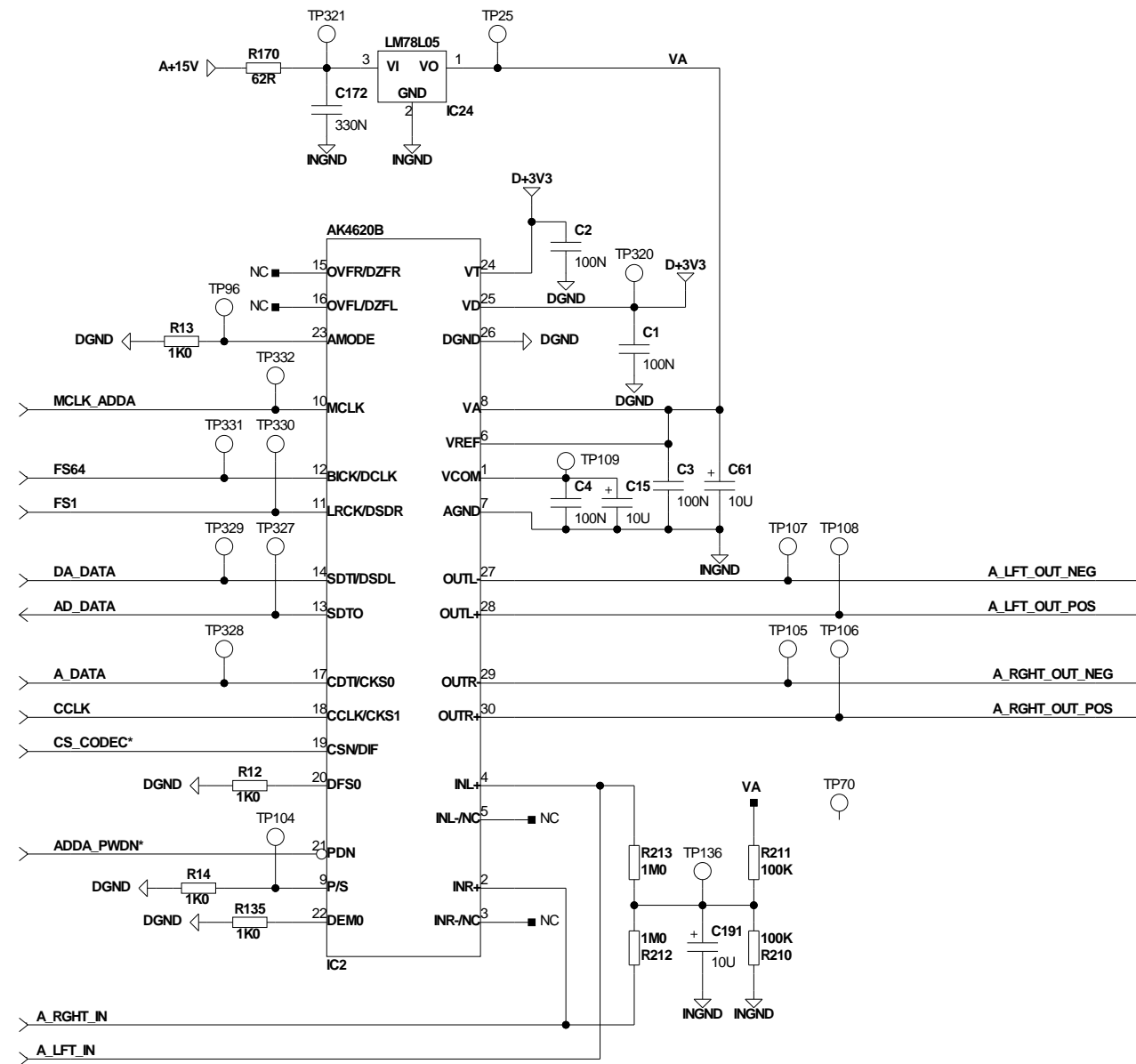
XLR version: R76 and R102 (0 ohm) mounted

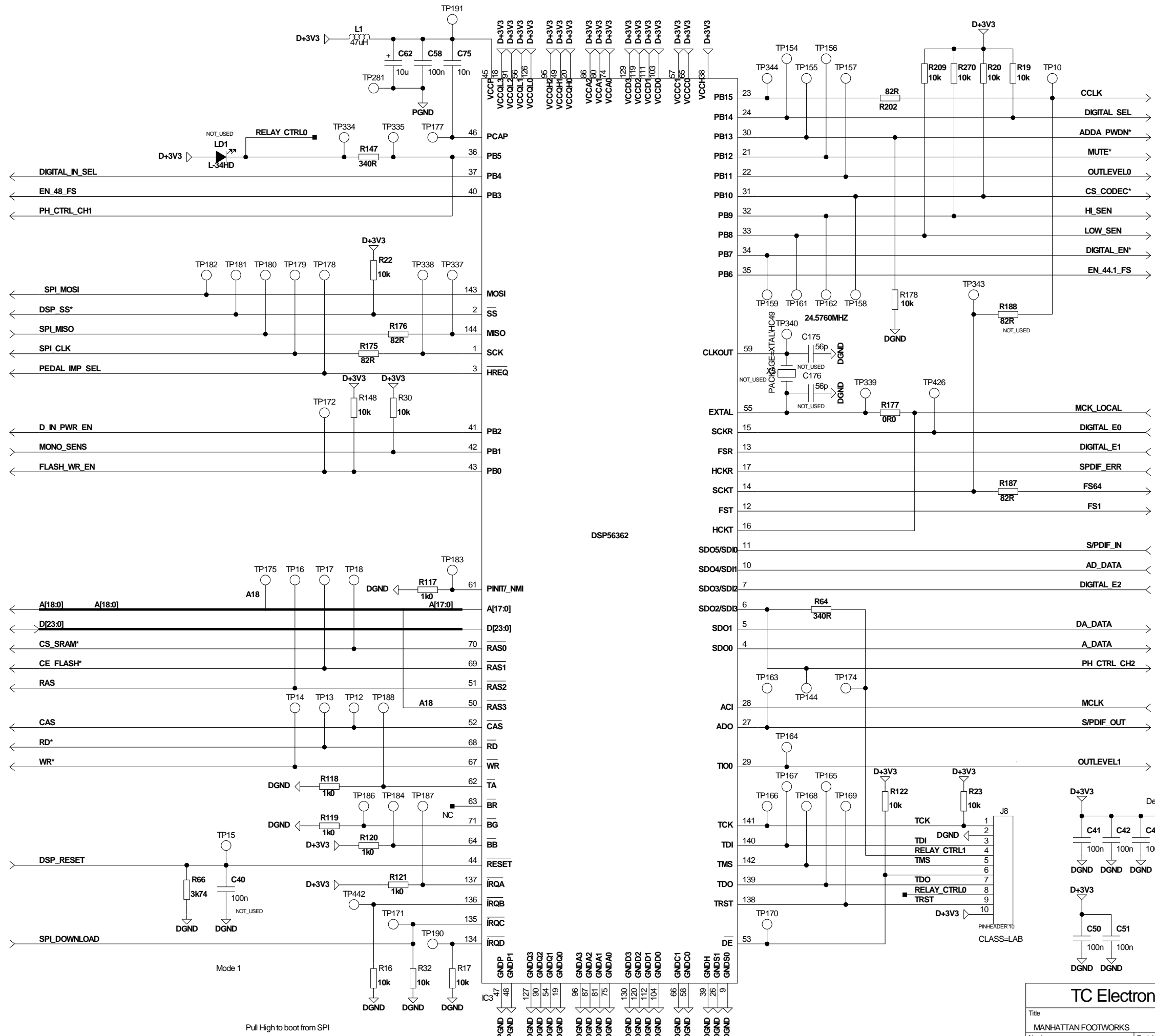
<b>TC Electronic A/S</b>		Designer MAR.SAK,HJE,NIM
Title MANHATTAN FOOTWORKS		Module title MAINBOARD
Number P16004	Revision ABF	Previous page XX
Date 1-23-2008_15:25	Filename ANALOG_IN	Page / of 2 / 11





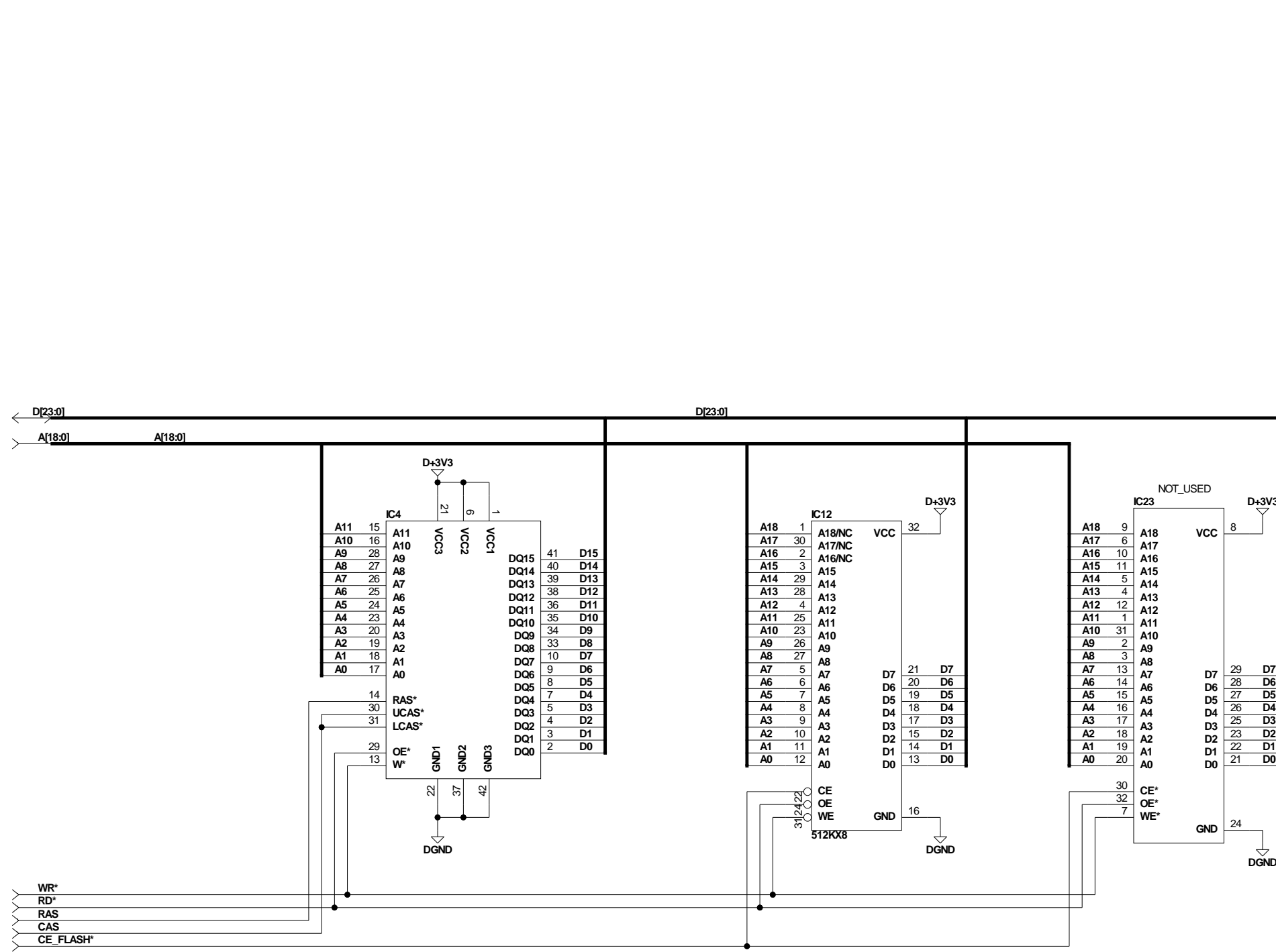
<b>TC Electronic A/S</b>		Designer MAR.SAK.HJE.NIM
Title MANHATTAN FOOTWORKS		Module title MAINBOARD
Number P16004	Revision ABF	Previous page XX
Date 1-23-2008_15:28	Filename DIGITAL_IO	Page / of 11 / 11





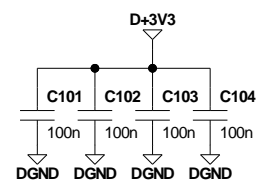
<b>TC Electronic A/S</b>		Designer MAR.SAK.HJE.NIM
Title MANHATTAN FOOTWORKS		Module title MAINBOARD
Number P16004	Revision ABF	Previous page XX
Date 1-23-2008_15:28	Filename DSP	Page / of 10 / 11

Mode 1  
Pull High to boot from SPI  
Boot from Ext. 8 bit memory



J12

Note: Only one of the Flash types are mounted



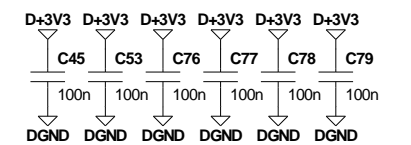
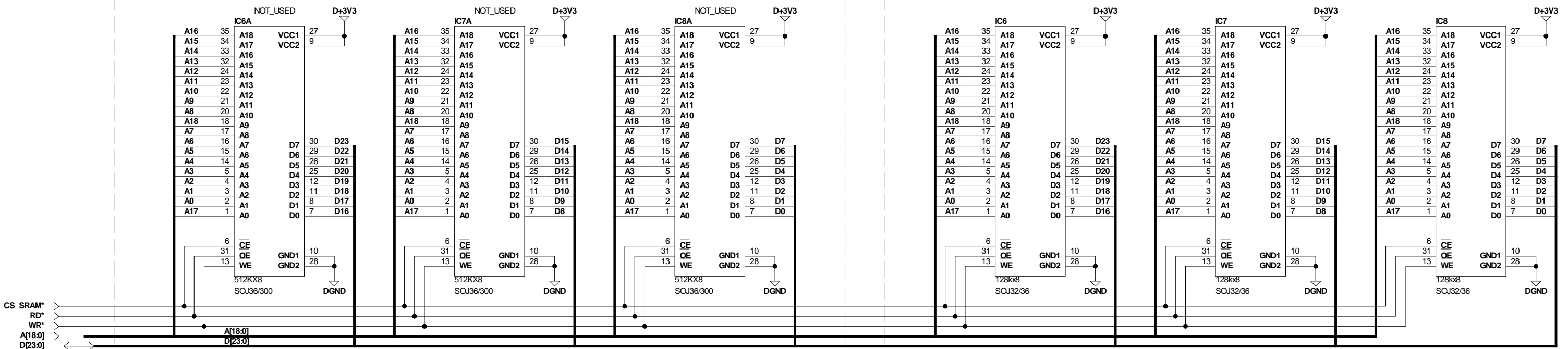
- A[17:0]
- A17 ○ TP282
  - A16 ○ TP60
  - A15 ○ TP59
  - A14 ○ TP57
  - A13 ○ TP58
  - A12 ○ TP53
  - A11 ○ TP54
  - A10 ○ TP55
  - A9 ○ TP56
  - A8 ○ TP46
  - A7 ○ TP47
  - A6 ○ TP49
  - A5 ○ TP48
  - A4 ○ TP52
  - A3 ○ TP51
  - A2 ○ TP50
  - A1 ○ TP61
  - A0 ○ TP45

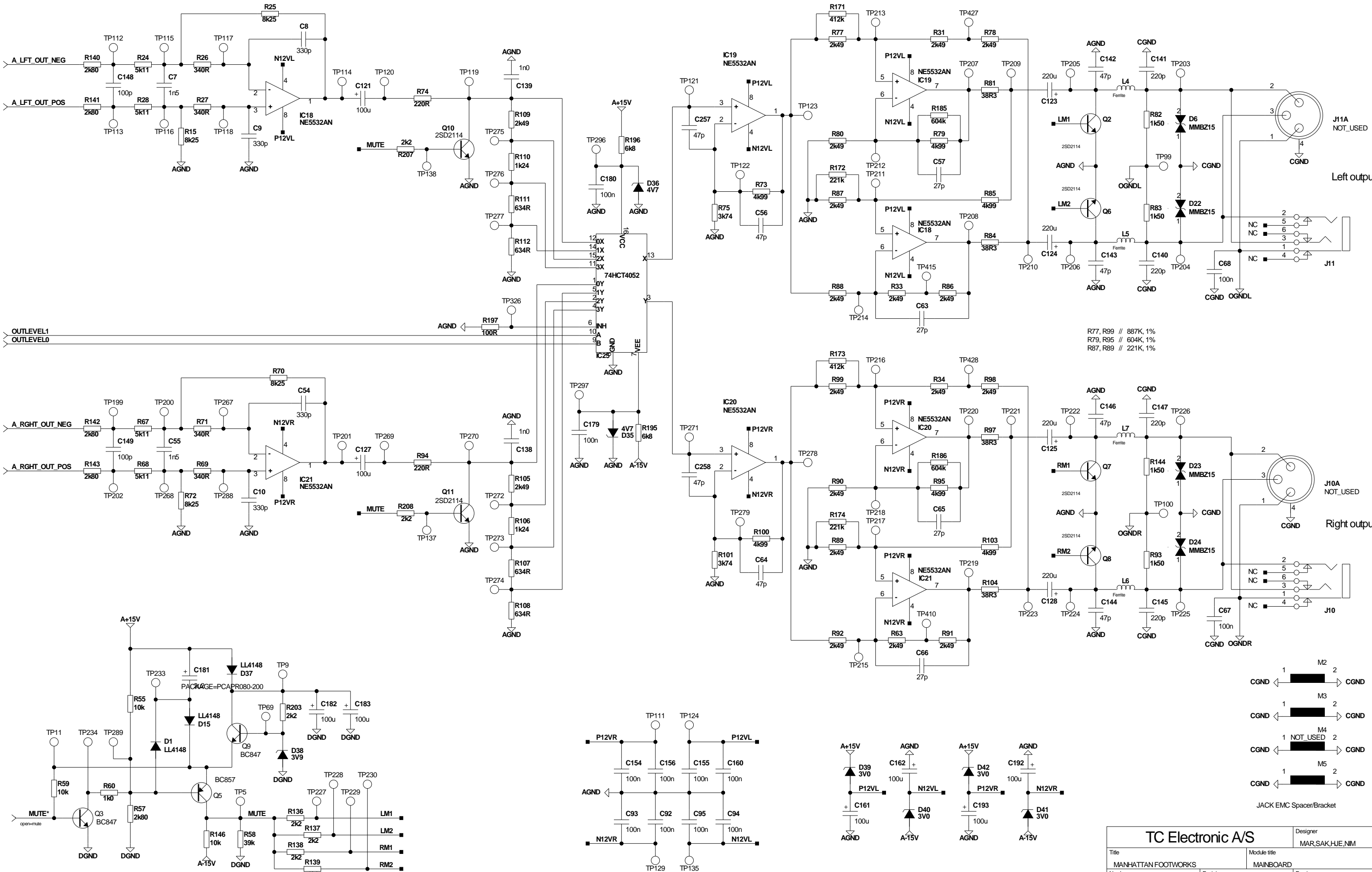
- D[23:0]
- D23 ○ TP28
  - D22 ○ TP29
  - D21 ○ TP30
  - D20 ○ TP31
  - D19 ○ TP32
  - D18 ○ TP33
  - D17 ○ TP34
  - D16 ○ TP35
  - D15 ○ TP36
  - D14 ○ TP37
  - D13 ○ TP39
  - D12 ○ TP38
  - D11 ○ TP43
  - D10 ○ TP42
  - D9 ○ TP41
  - D8 ○ TP40
  - D7 ○ TP44
  - D6 ○ TP68
  - D5 ○ TP67
  - D4 ○ TP65
  - D3 ○ TP66
  - D2 ○ TP62
  - D1 ○ TP63
  - D0 ○ TP64



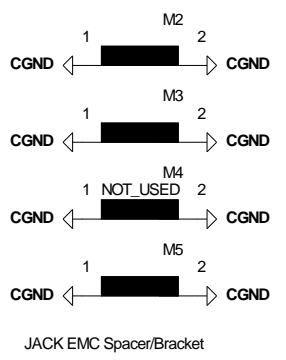
SOJ36/300 mil - 128k/512k

SOJ36/400 mil - 128k/512k





R77, R99 // 887K, 1%  
R79, R95 // 604K, 1%  
R87, R89 // 221K, 1%

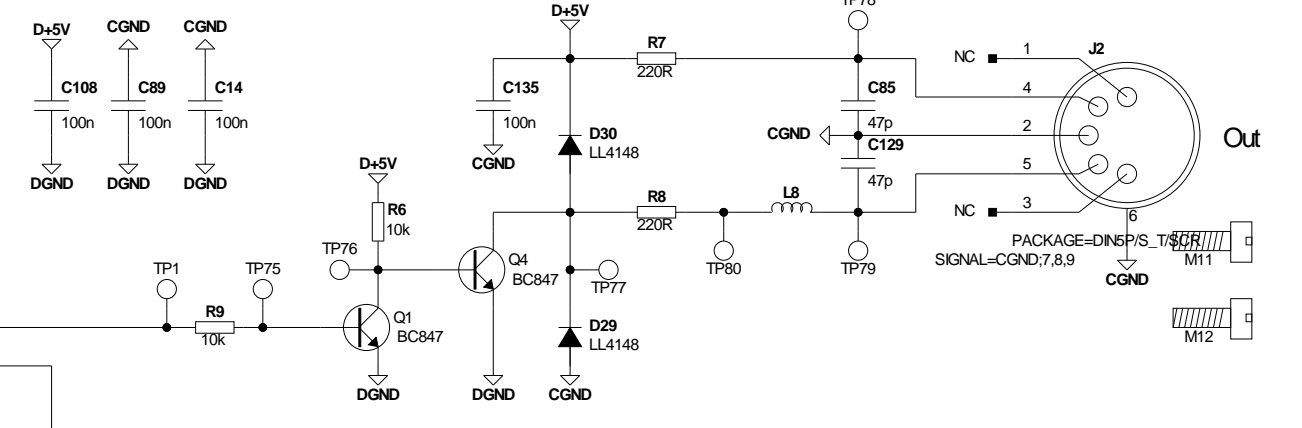
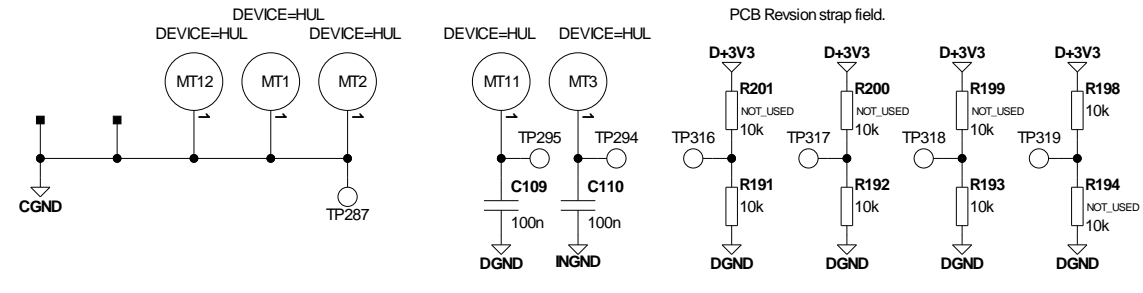


Mute circuit

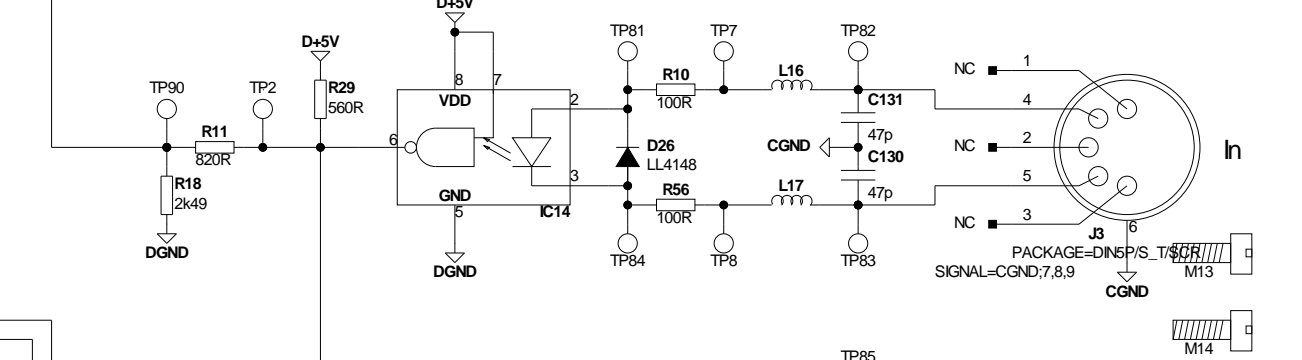
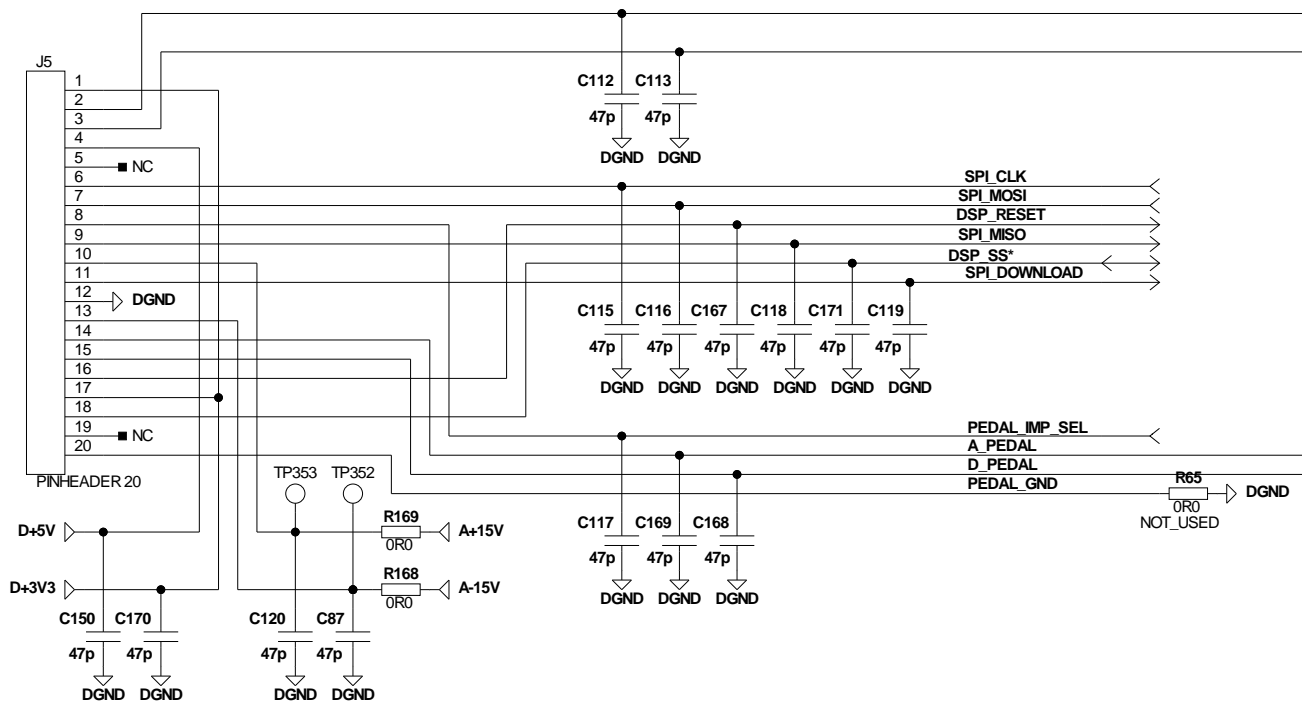
Decoupling for Analog

Power for output stage amplifiers

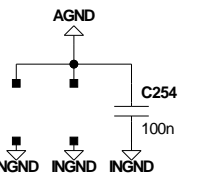
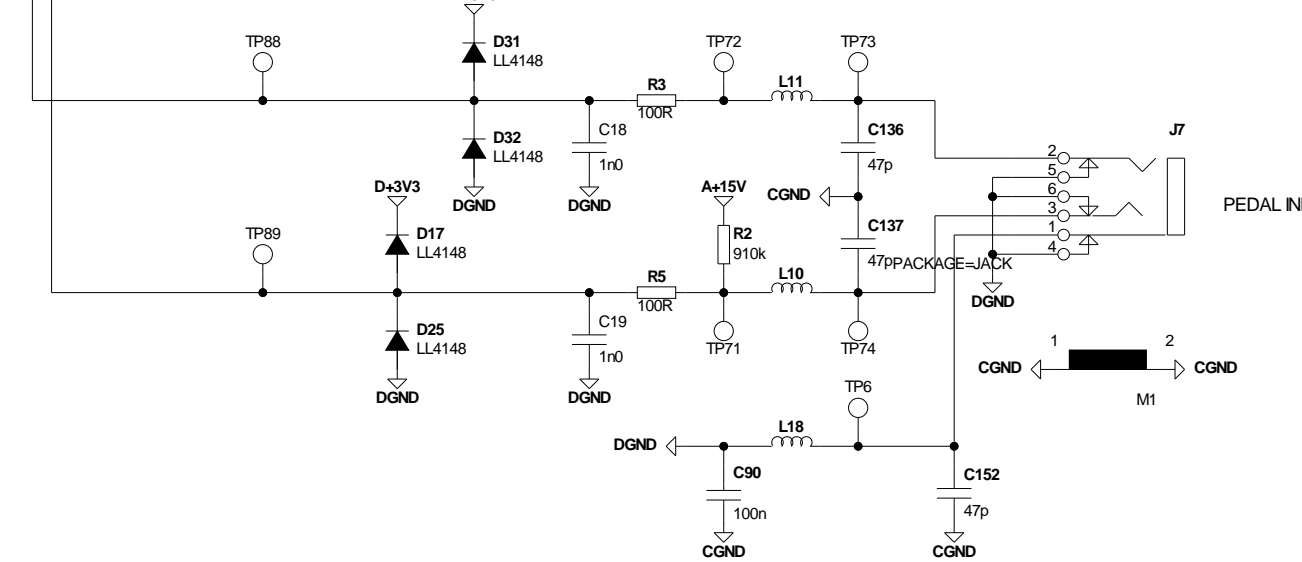
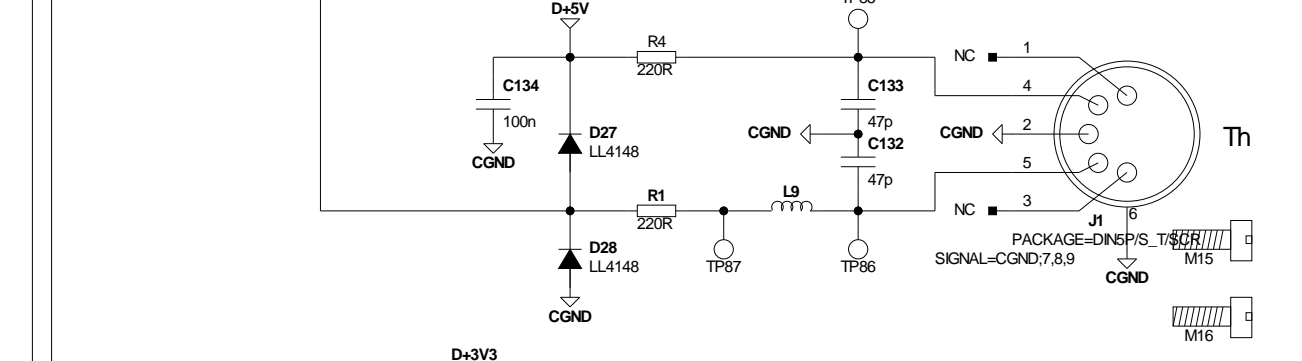
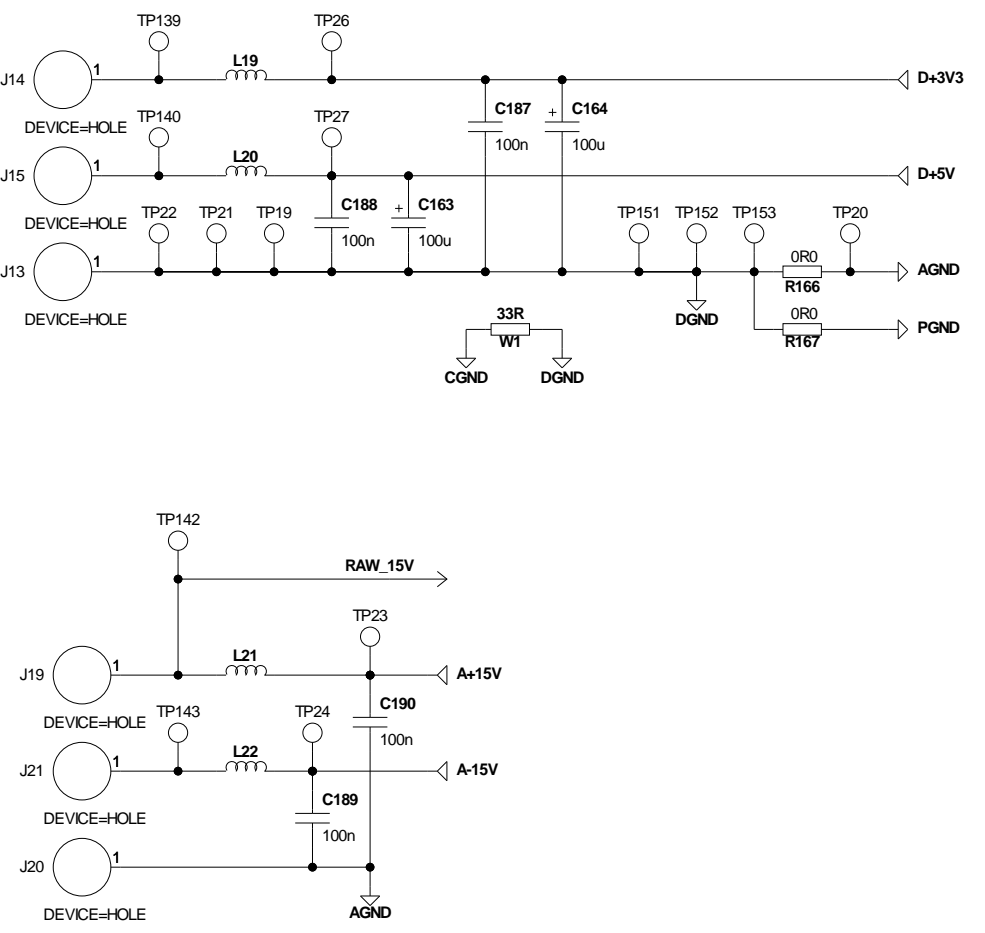
<b>TC Electronic A/S</b>		Designer MAR.SAK.HJE.NIM
Title MANHATTAN FOOTWORKS		Module title MAINBOARD
Number P16004	Revision ABF	Previous page XX
Date 1-23-2008_15:26	Filenam ANALOG_OUT	Page / of 3 / 11



Front Conn.



Power Supply Connection



<b>TC Electronic A/S</b>		Designer MAR.SAK.HJE.NIM
Title MANHATTAN FOOTWORKS	Module title MAINBOARD	Previous page XX
Number P16004	Revision ABF	Page / of 8 / 11
Date 1-23-2008_15:27	Filename INTERFACE	