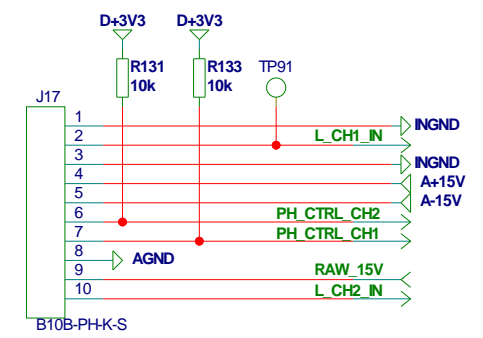
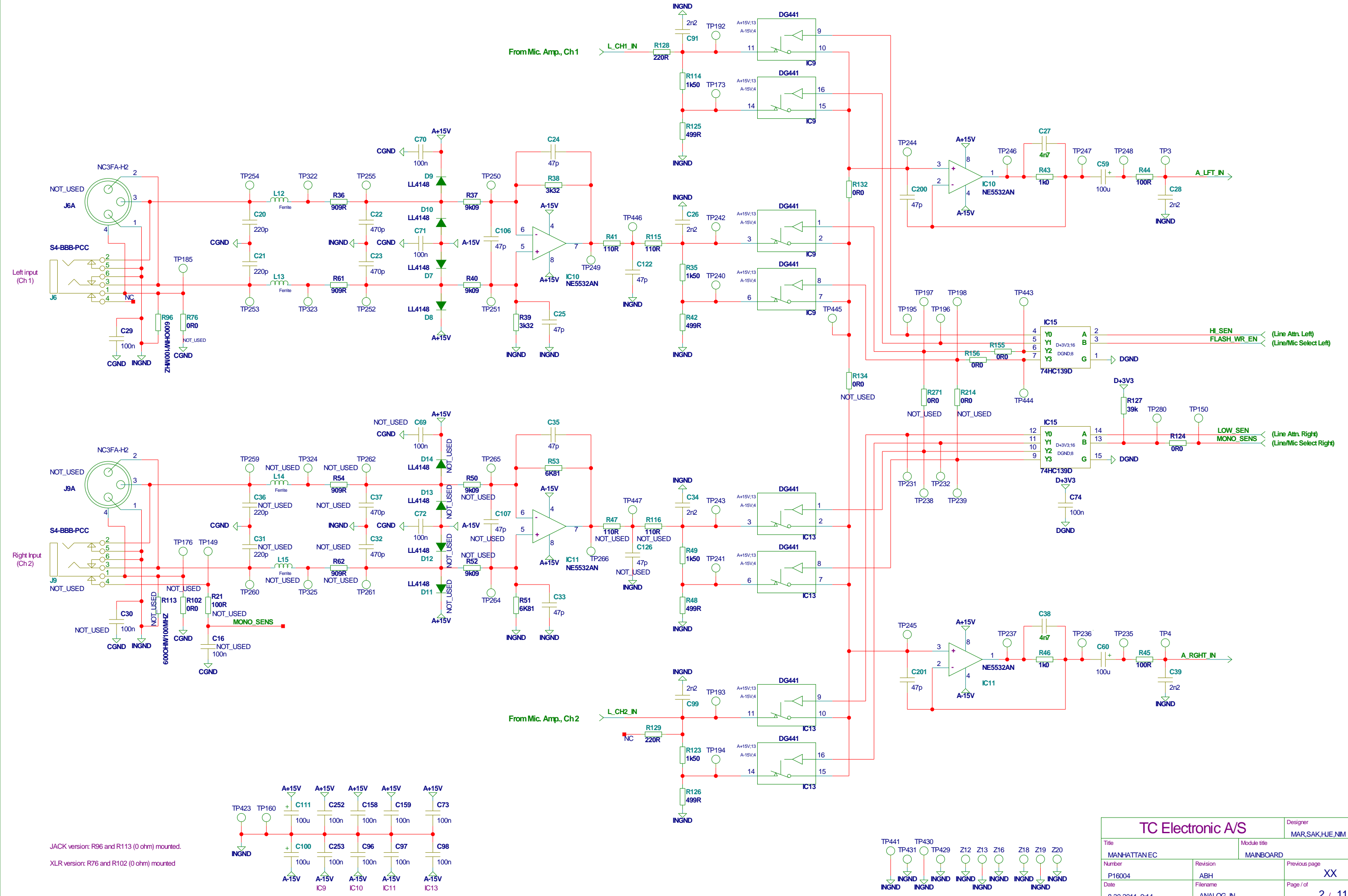


P16004-A
M10

TC Electronic A/S		Designer MAR.SAK,HJE,NIM
Title MANHATTAN EC		Module title MAINBOARD
Number P16004	Revision ABH	Previous page XX
Date 8-30-2011_9:14	Filename P16004-A	Page / of 1 / 11

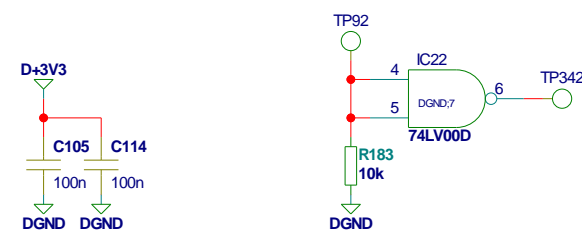
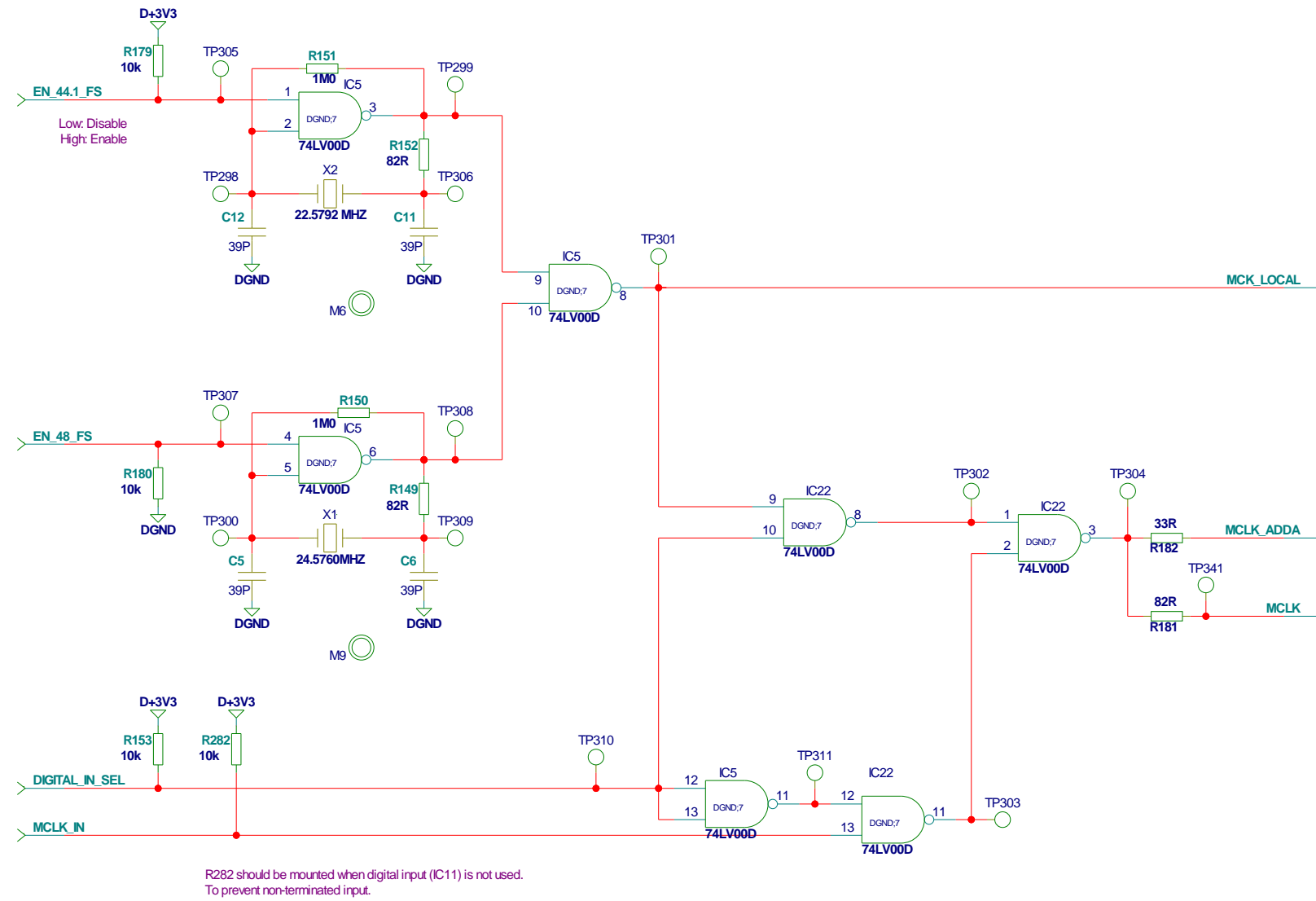


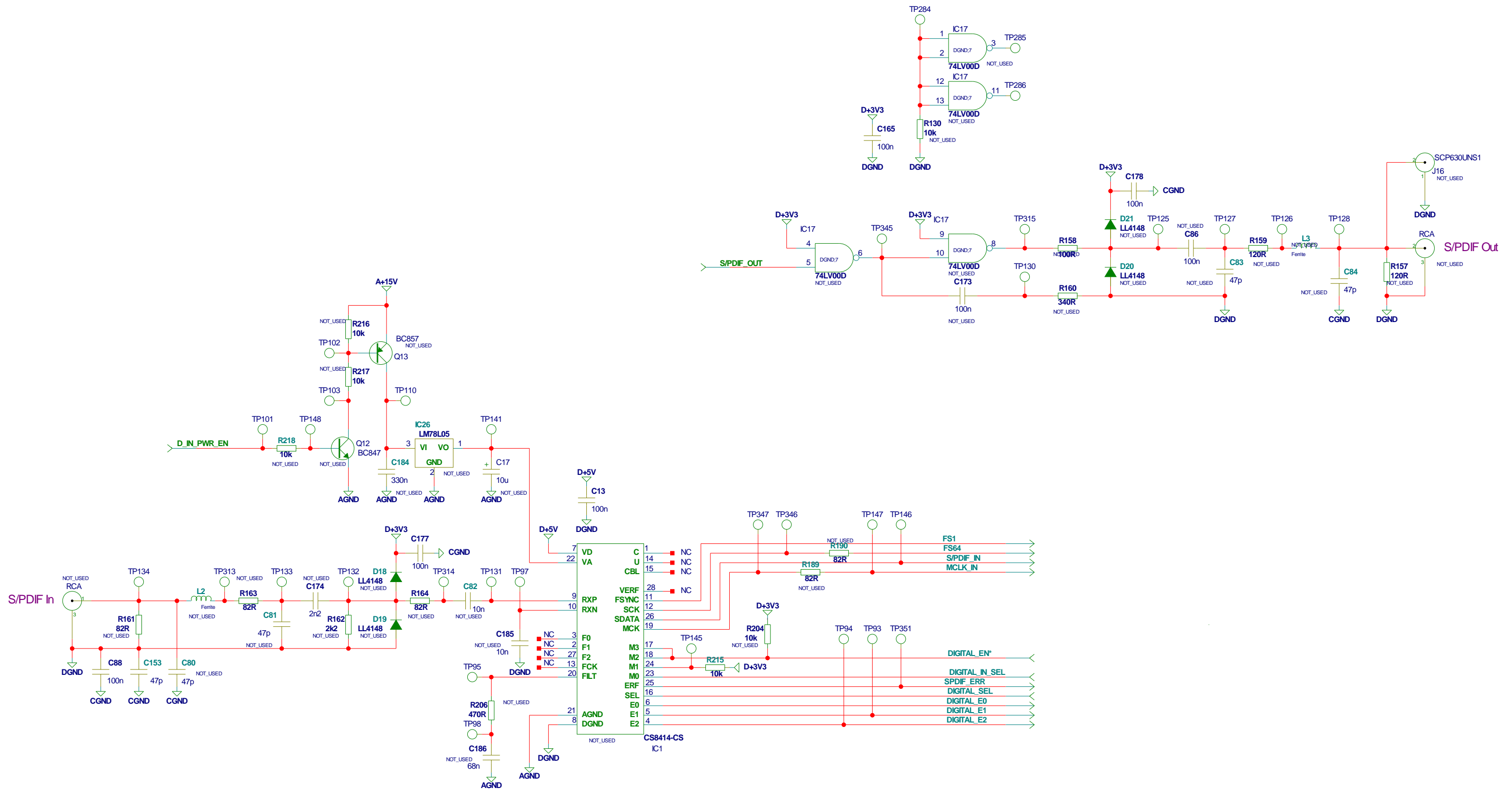
TC Electronic A/S		Designer
MANHATTAN EC		MAR,SAK,HJE,NIM
Module title	MAINBOARD	
Number	Revision	Previous page
P16004	ABH	XX
Date	Filename	Page / of
8-30-2011_9:14	MIC_IN	9 / 11

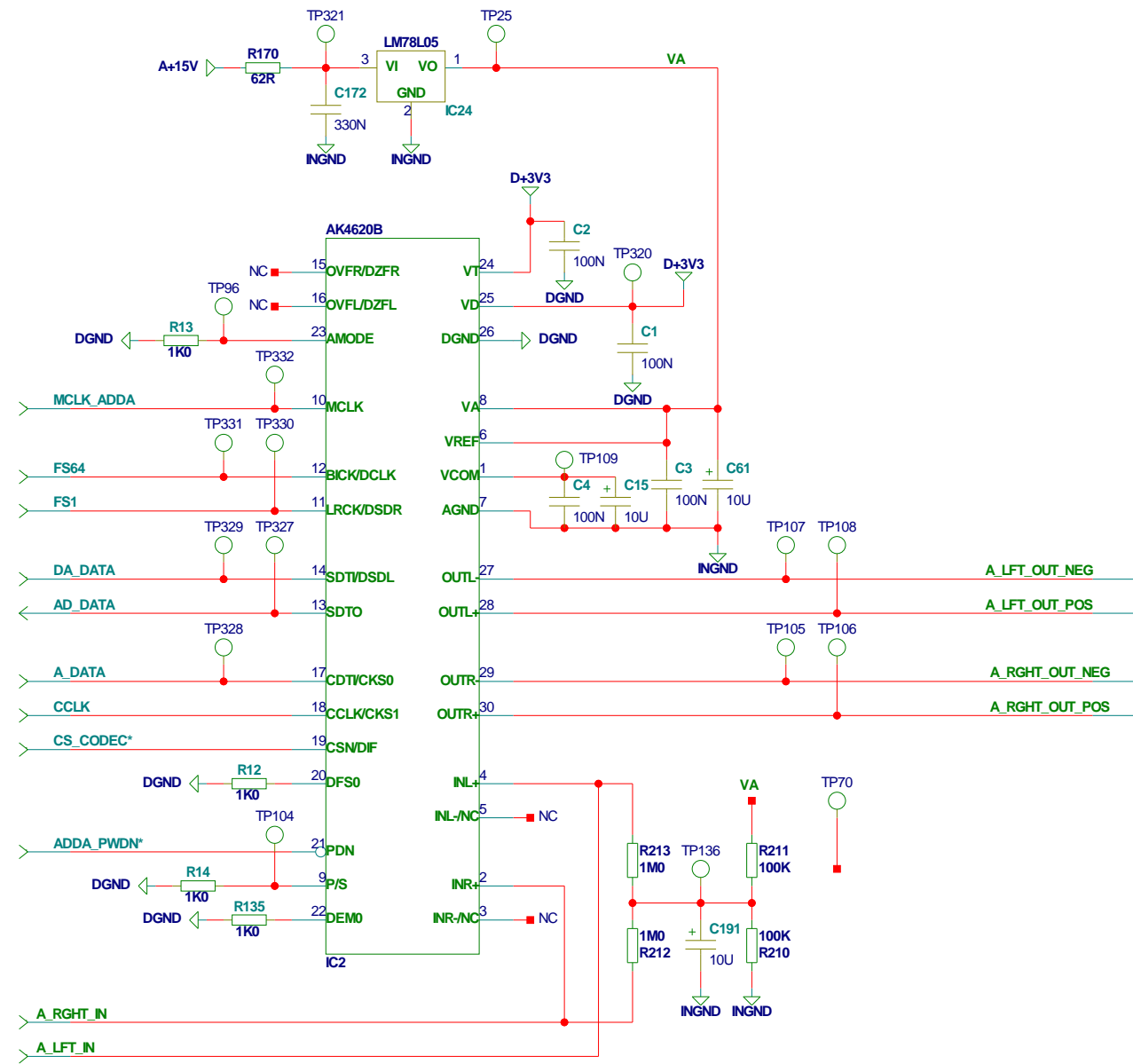


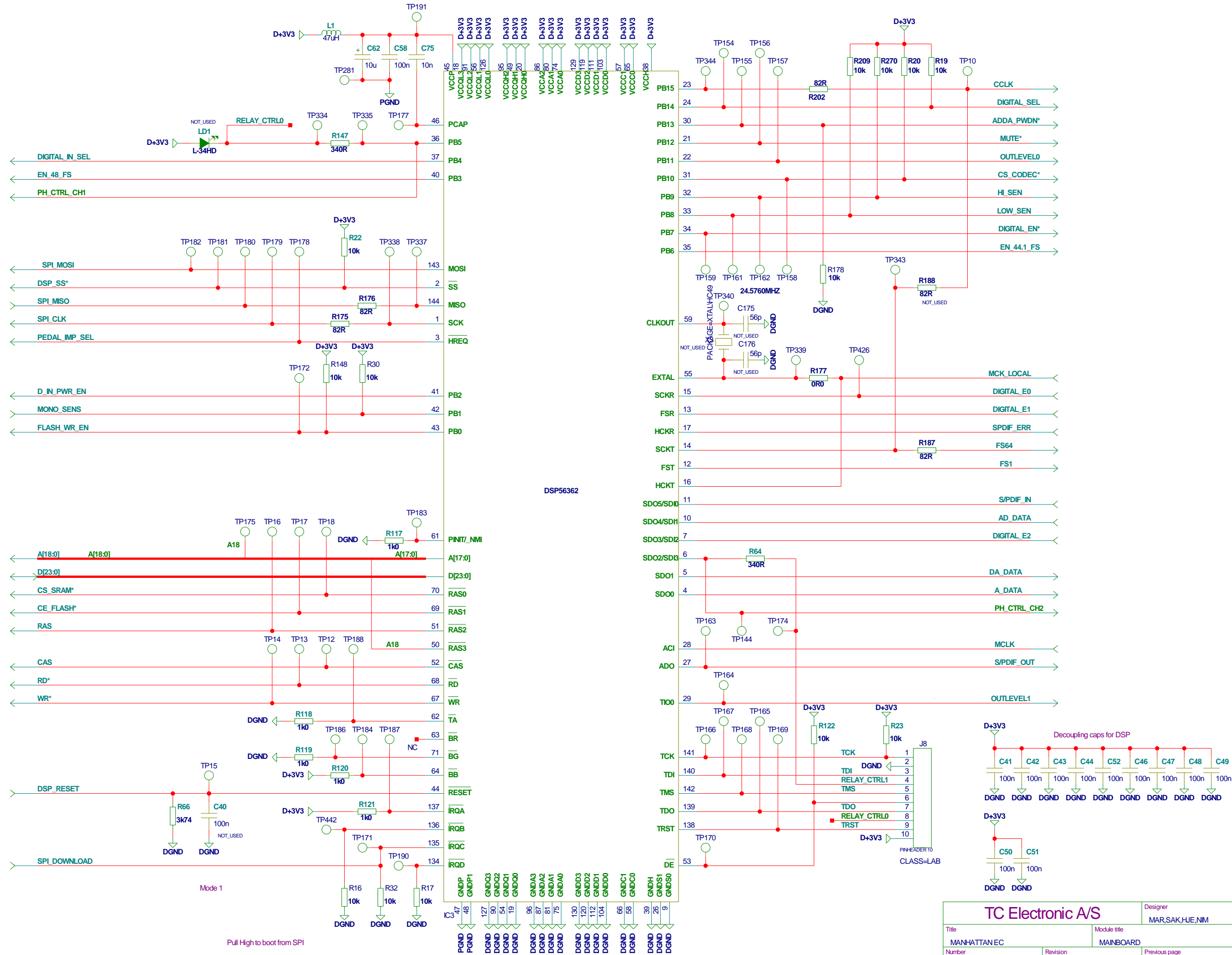
JACK version: R96 and R113 (0 ohm) mounted.
 XLR version: R76 and R102 (0 ohm) mounted

TC Electronic A/S		Designer	MAR.SAK,HJE,NIM
Title	MANHATTAN EC	Module title	MAINBOARD
Number	P16004	Revision	ABH
Date	8-30-2011_9:14	Filename	ANALOG_IN
		Previous page	XX
		Page / of	2 / 11

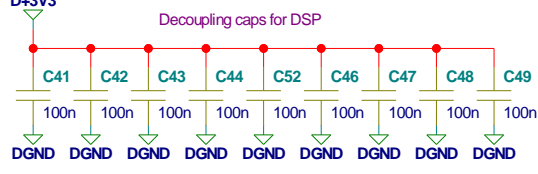




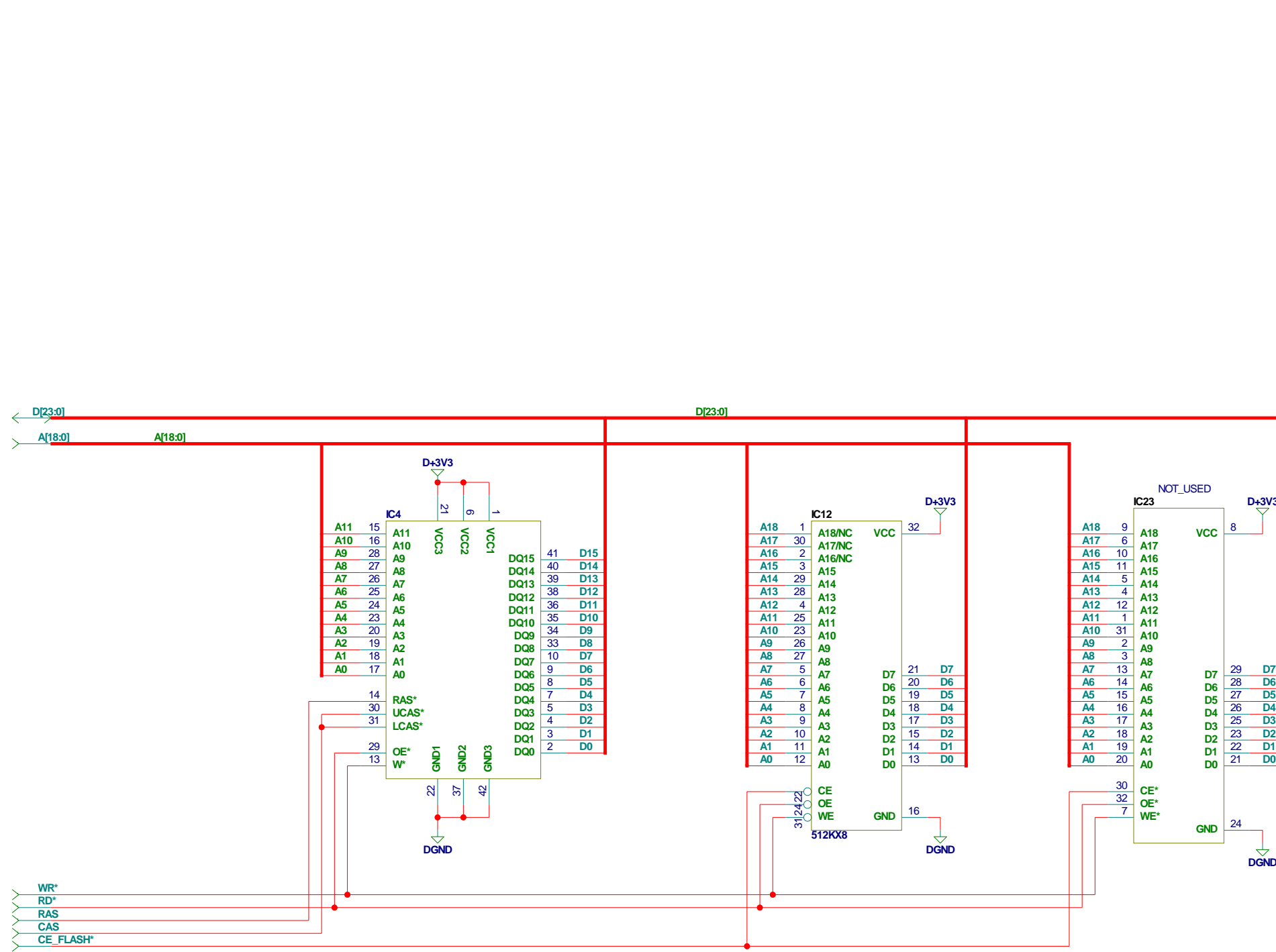




Mode 1
Pull High to boot from SPI
Boot from Ext. 8 bit memory

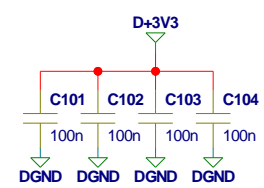


TC Electronic A/S		Designer MAR.SAK.HJE.NIM
Title MANHATTAN EC		Module title MAINBOARD
Number P16004	Revision ABH	Previous page XX
Date 8-30-2011_9:14	Filename DSP	Page / of 10 / 11



J12

Note: Only one of the Flash types are mounted

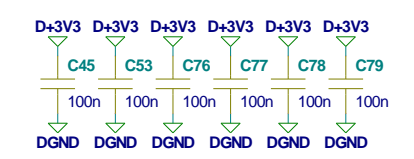
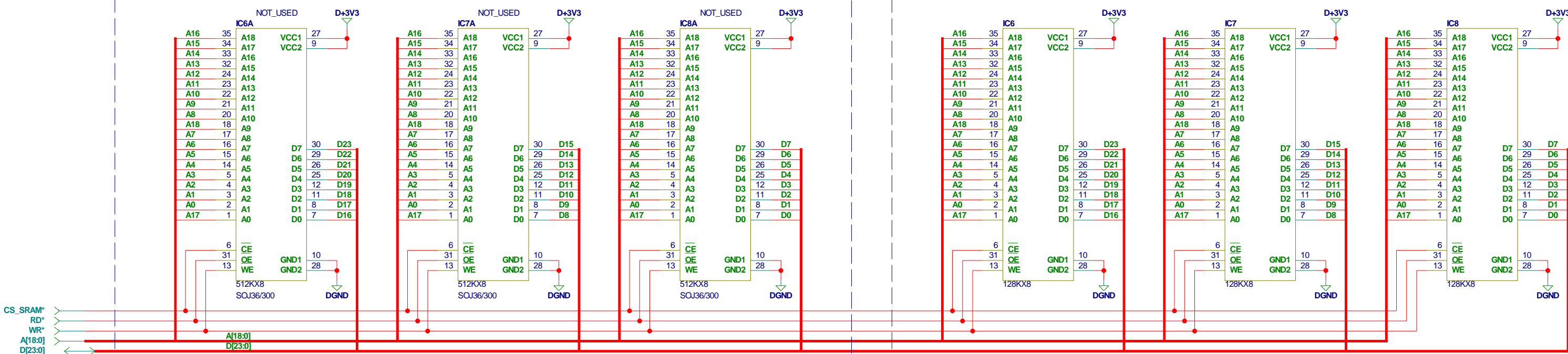


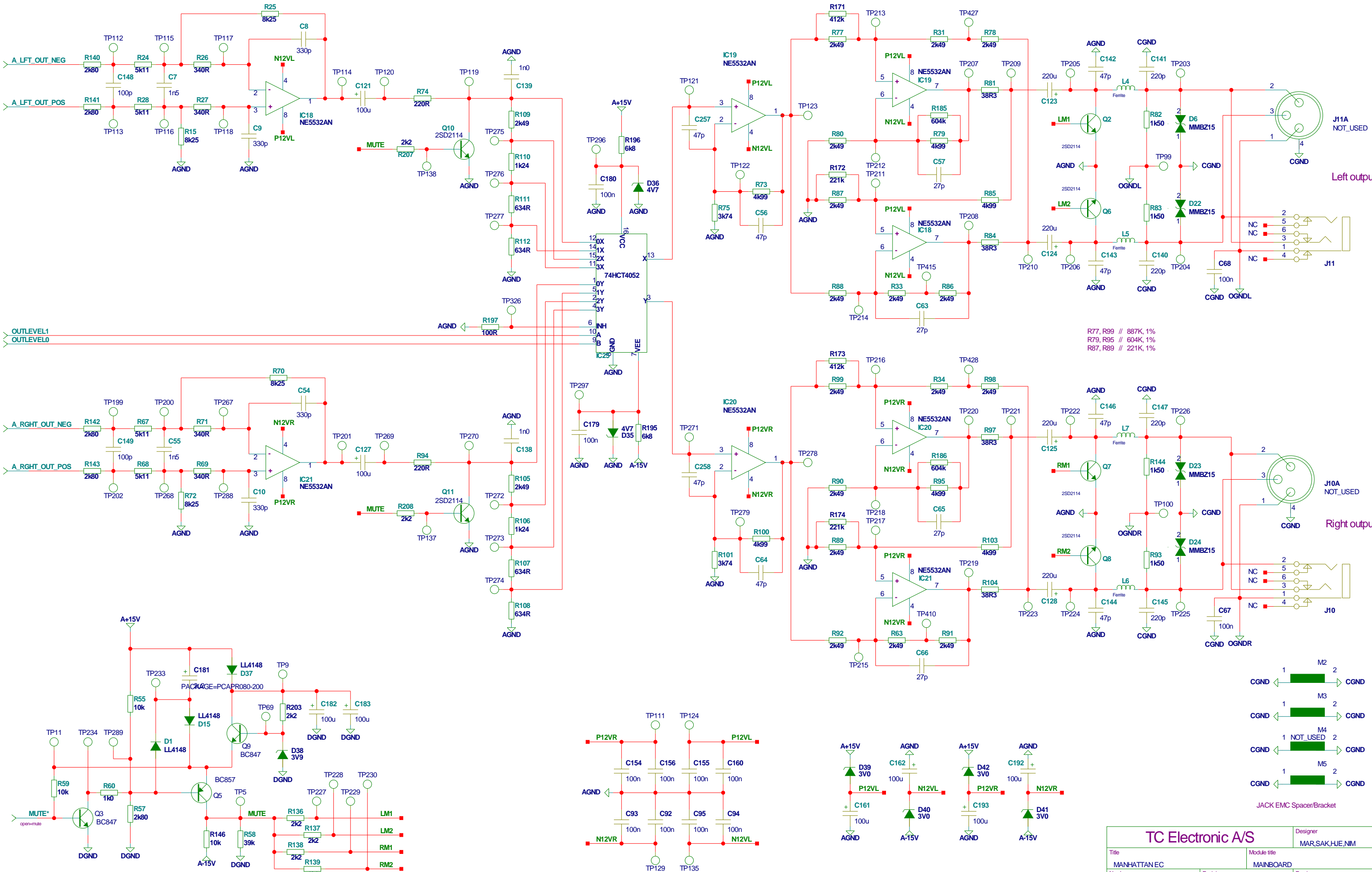
- A[17:0]
- A17 TP282
 - A16 TP60
 - A15 TP59
 - A14 TP57
 - A13 TP58
 - A12 TP53
 - A11 TP54
 - A10 TP55
 - A9 TP56
 - A8 TP46
 - A7 TP47
 - A6 TP49
 - A5 TP48
 - A4 TP52
 - A3 TP51
 - A2 TP50
 - A1 TP61
 - A0 TP45

- D[23:0]
- D23 TP28
 - D22 TP29
 - D21 TP30
 - D20 TP31
 - D19 TP32
 - D18 TP33
 - D17 TP34
 - D16 TP35
 - D15 TP36
 - D14 TP37
 - D13 TP39
 - D12 TP38
 - D11 TP43
 - D10 TP42
 - D9 TP41
 - D8 TP40
 - D7 TP44
 - D6 TP68
 - D5 TP67
 - D4 TP65
 - D3 TP66
 - D2 TP62
 - D1 TP63
 - D0 TP64

SOJ36/300 mil - 128k/512k

SOJ36/400 mil - 128k/512k



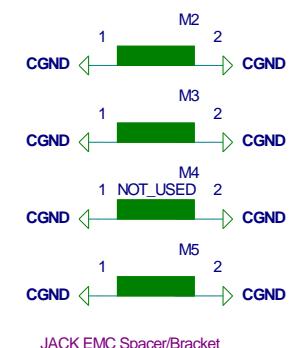


R77, R99 // 887K, 1%
 R79, R95 // 604K, 1%
 R87, R89 // 221K, 1%

Mute circuit

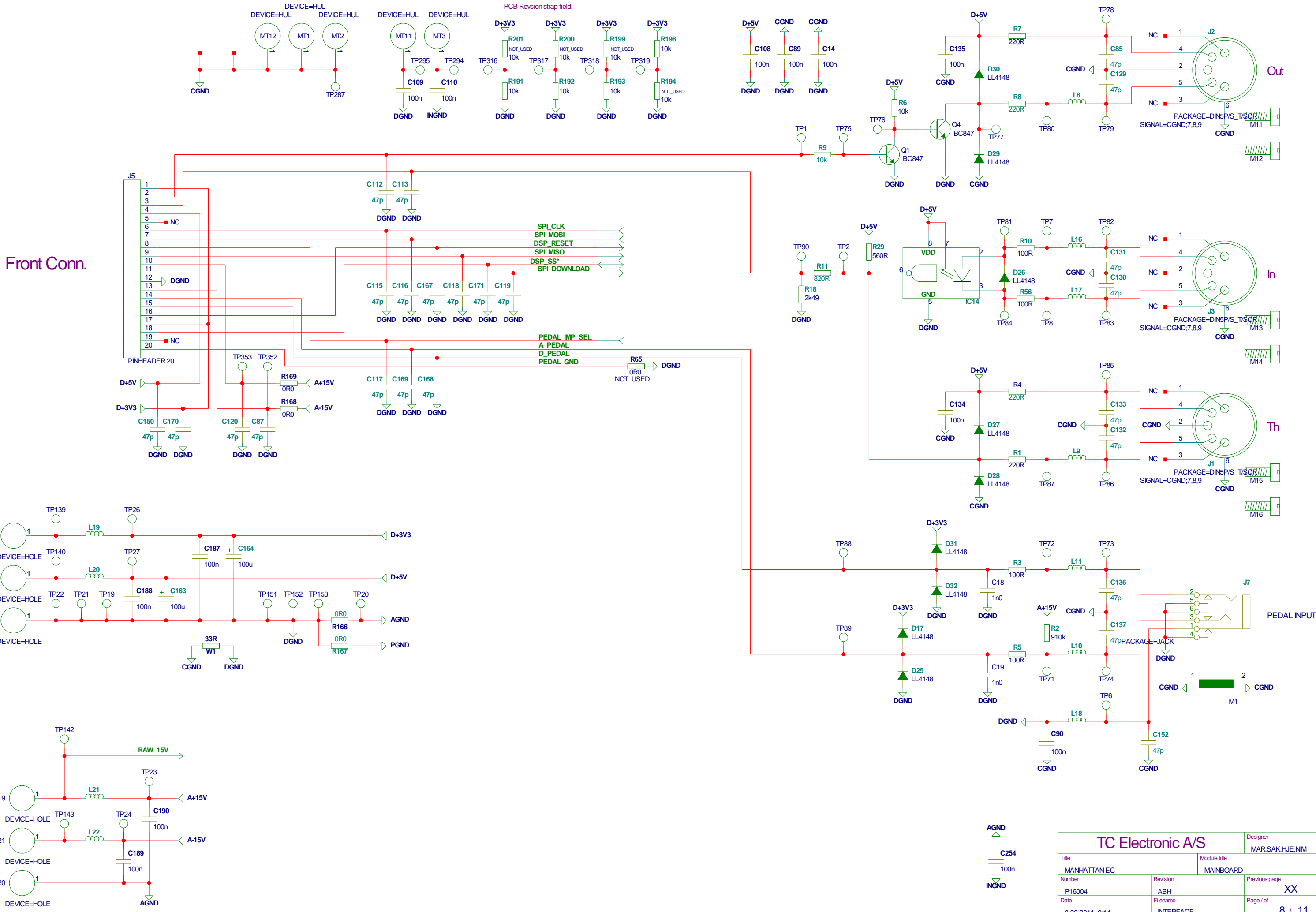
Decoupling for Analog

Power for output stage amplifiers



JACK EMC Spacer/Bracket

TC Electronic A/S		Designer MAR.SAK,HJE,NIM
Title MANHATTAN EC	Module title MAINBOARD	
Number P16004	Revision ABH	Previous page XX
Date 8-30-2011_9:14	Filenam ANALOG_OUT	Page / of 3 / 11



Front Conn.

Power Supply Connection

TC Electronic A/S Title: MANHATTAN EC Number: P16004 Date: 8-30-2011_9:14		Designer: MAR.SAK.HJE.NIM Module title: MAINBOARD Previous page: XX Page / of: 8 / 11	
		Revision: ABH Filename: INTERFACE	PACKAGE=DIN5P/S_T/SCR SIGNAL=CGND;7,8,9