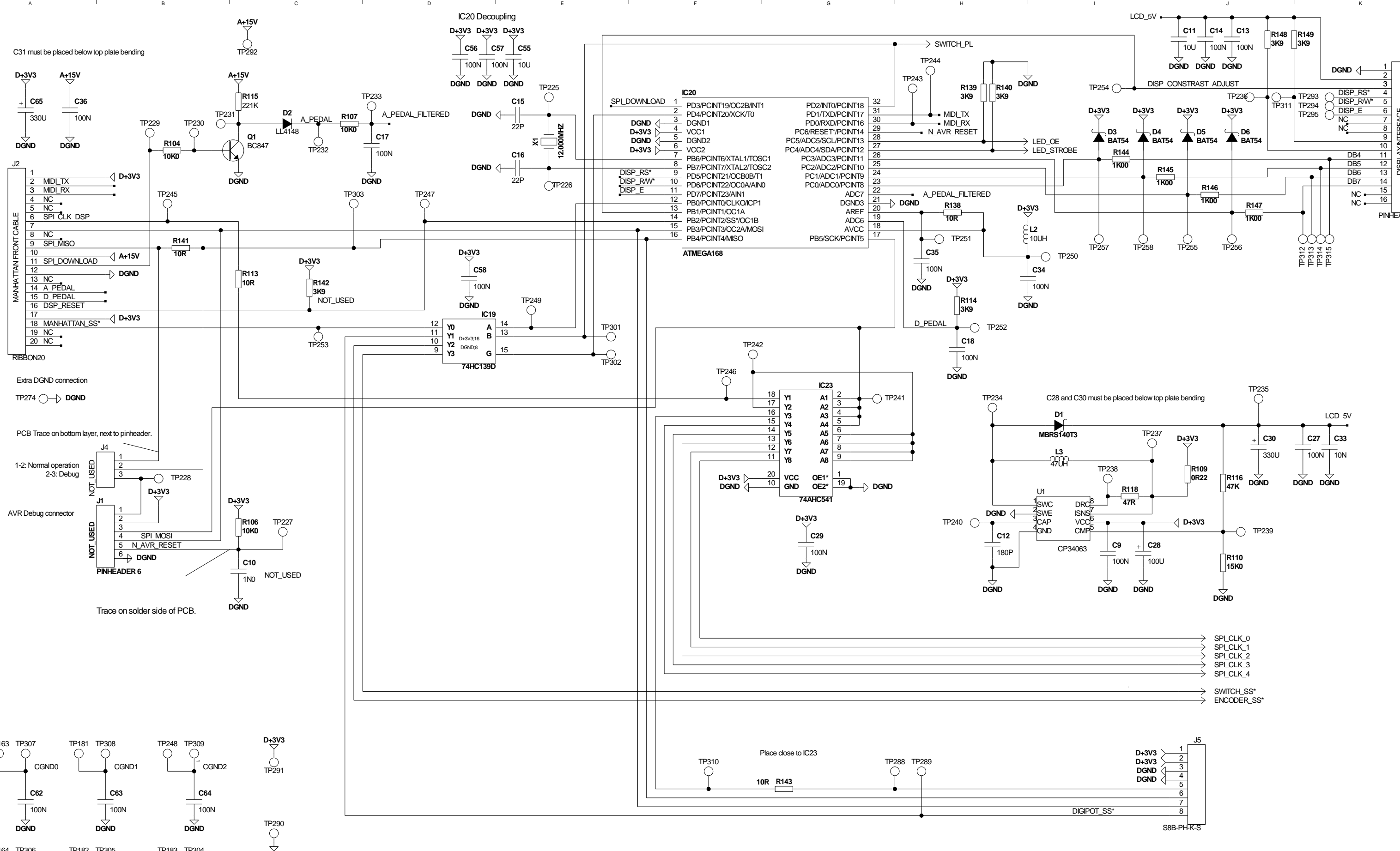


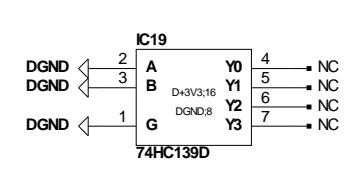
DISP1
MC2402A-SYL

M2
P16517-B

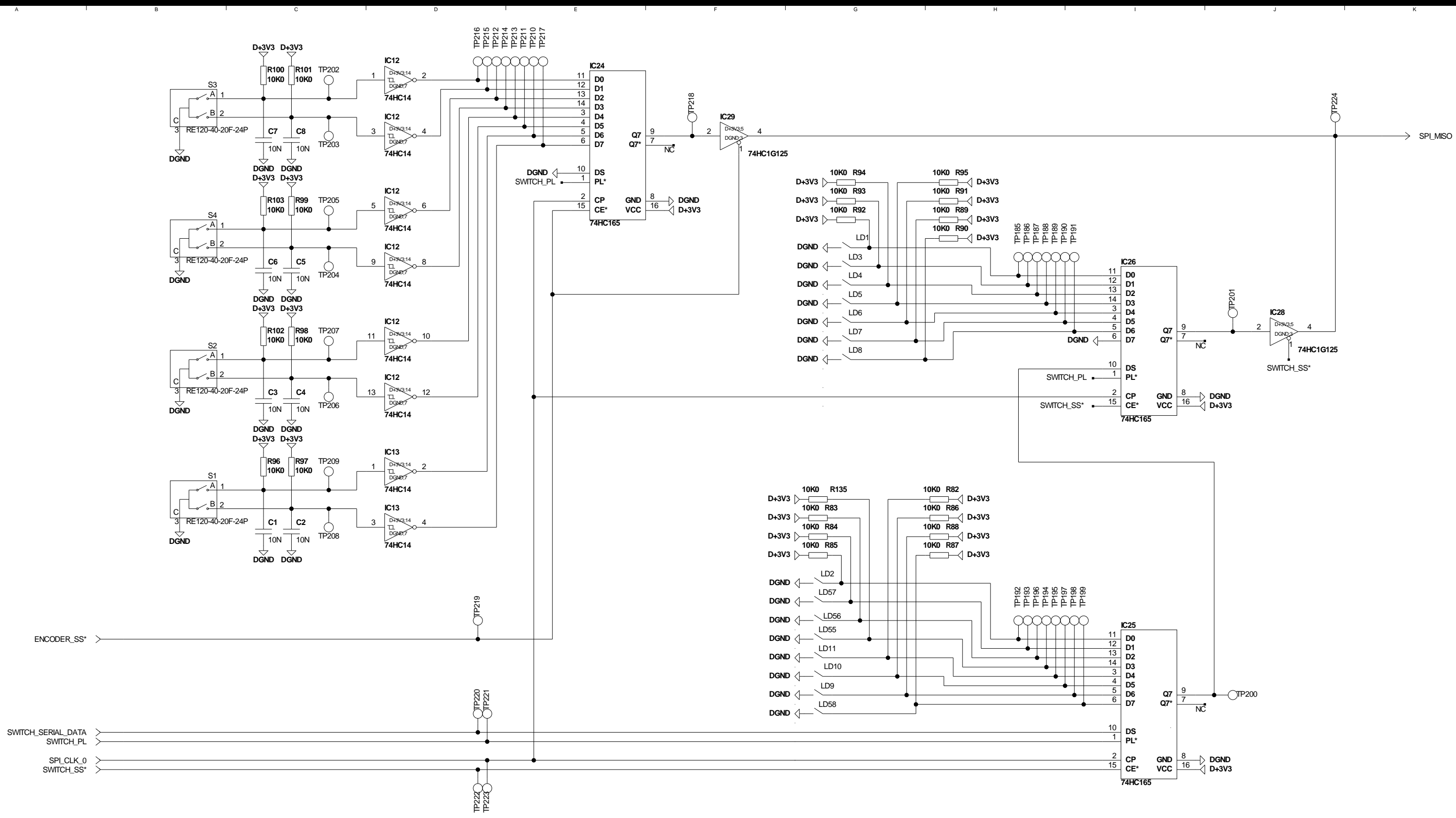
TC Electronic A/S		Designer NIMKSA
Title AC/EC/BC FRONT		Module title P16517-B
Number P16517	Revision BBE	Previous page
Date 19-6-2008_10:52	Filename P16517-B	Page / of 1 / 6



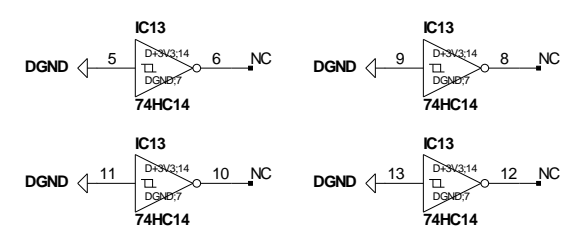
Spare Parts



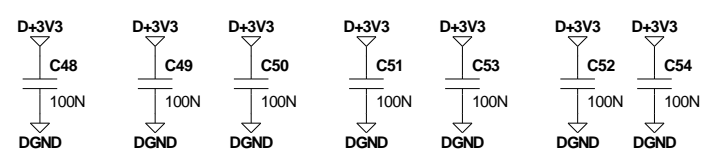
TC Electronic A/S		Designer NIMKSA
Title AC/EC/BC FRONT		Module title MICROCONTROLLER AND CONNECTS
Number P16517	Revision BBE	Previous page 1
Date 19-6-2008_10:48	Filenam UC_AND_CONNECTS	Page / of 2 / 6



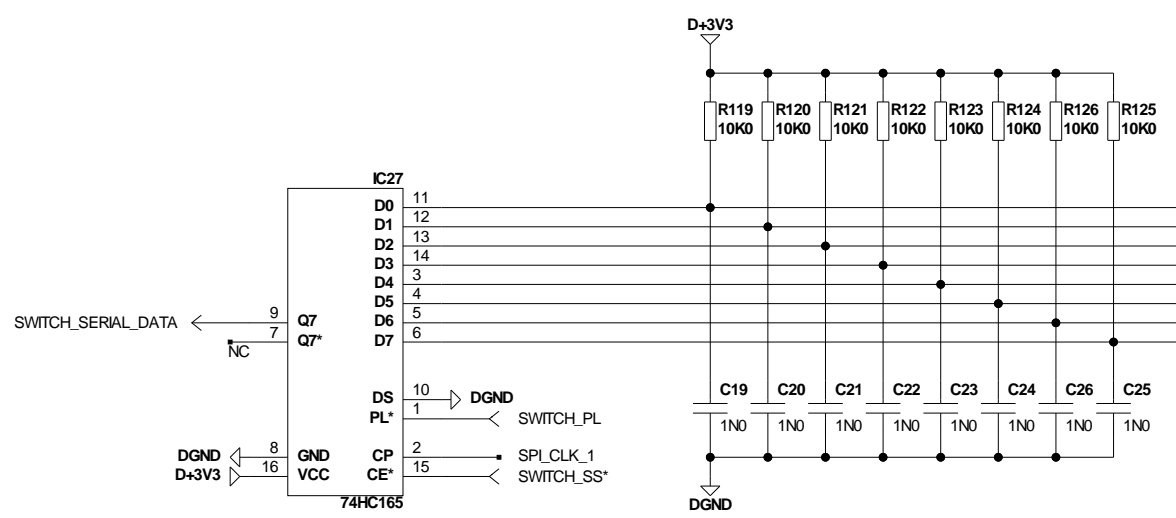
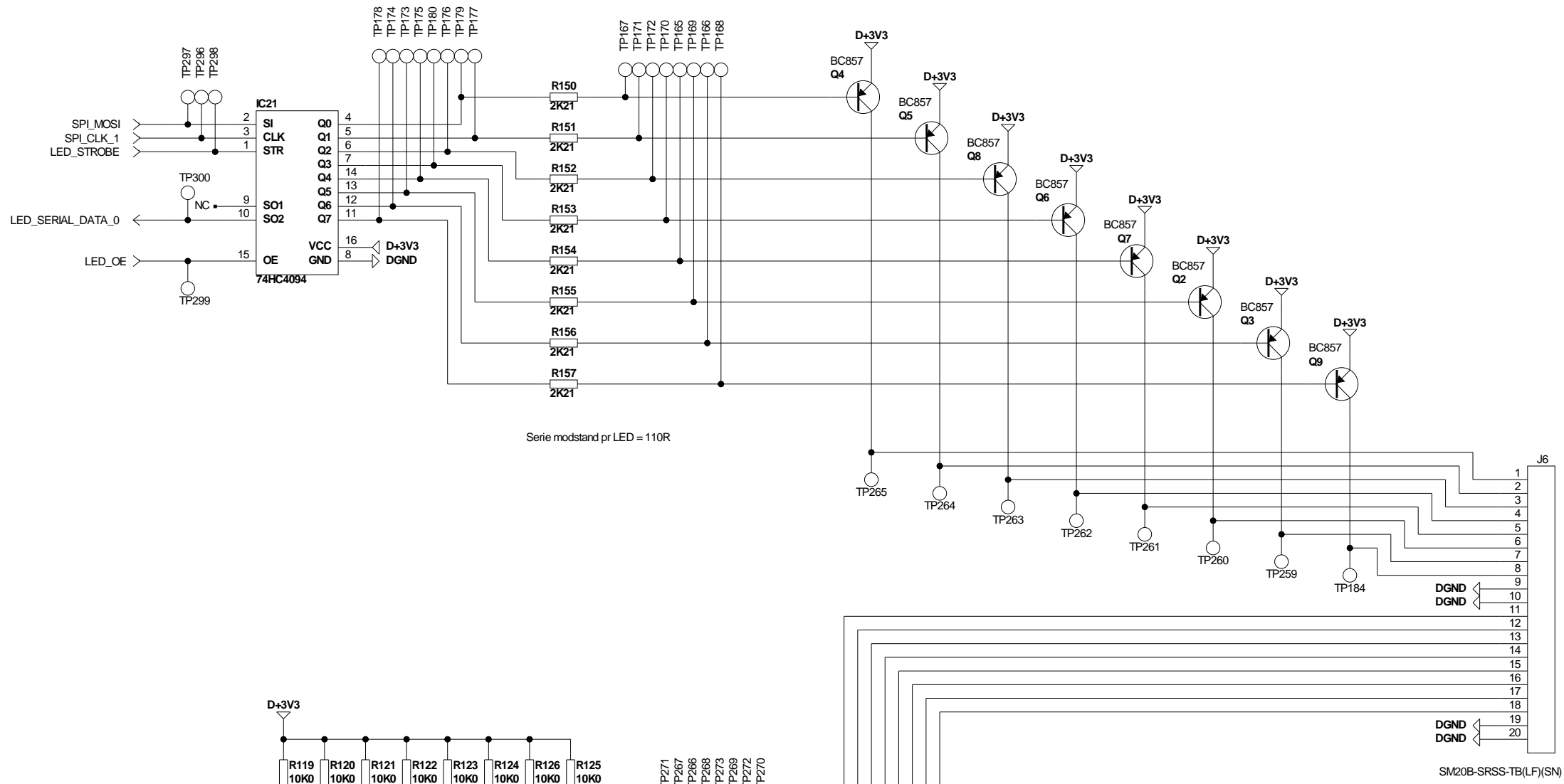
Spare Parts



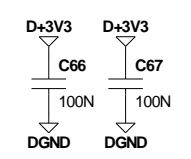
Decoupling for IC12, IC13, IC24, IC25, IC26, IC28 & IC29



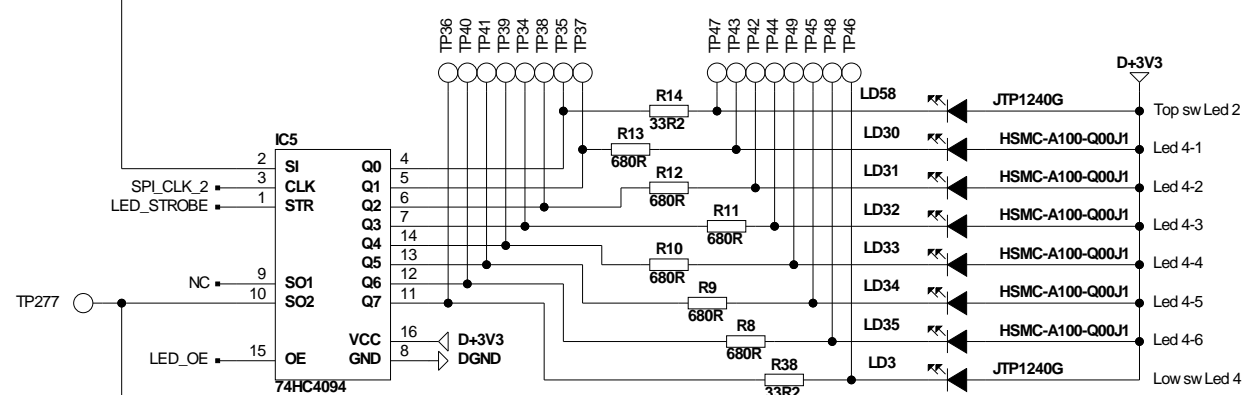
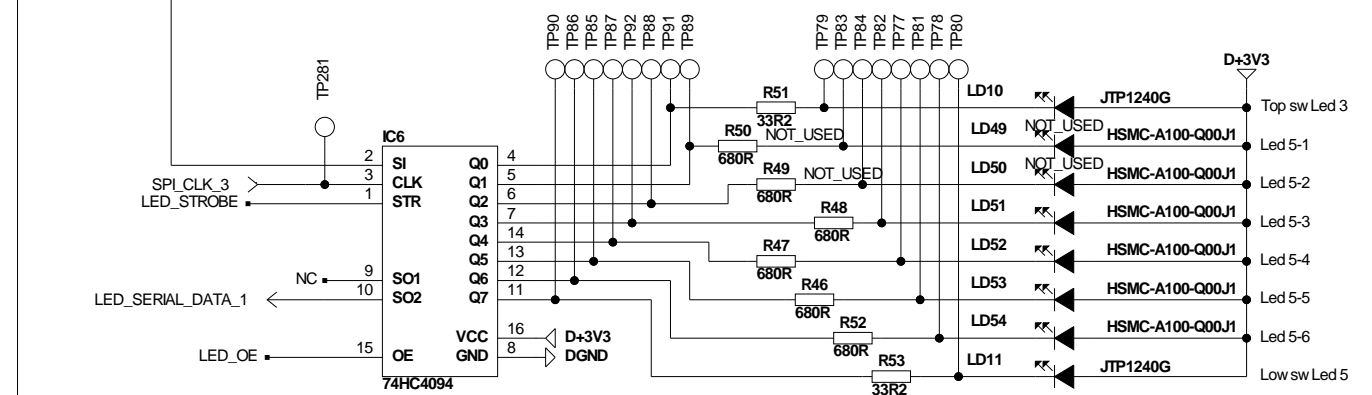
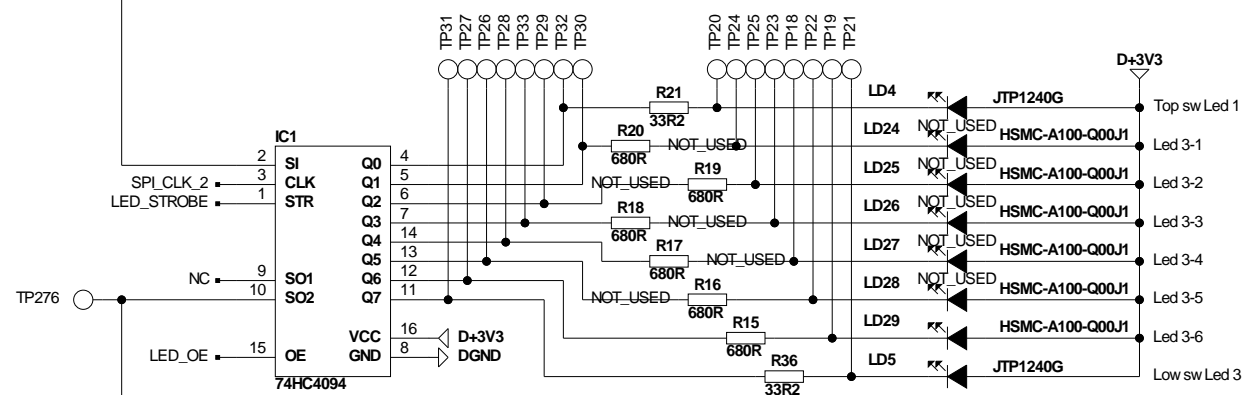
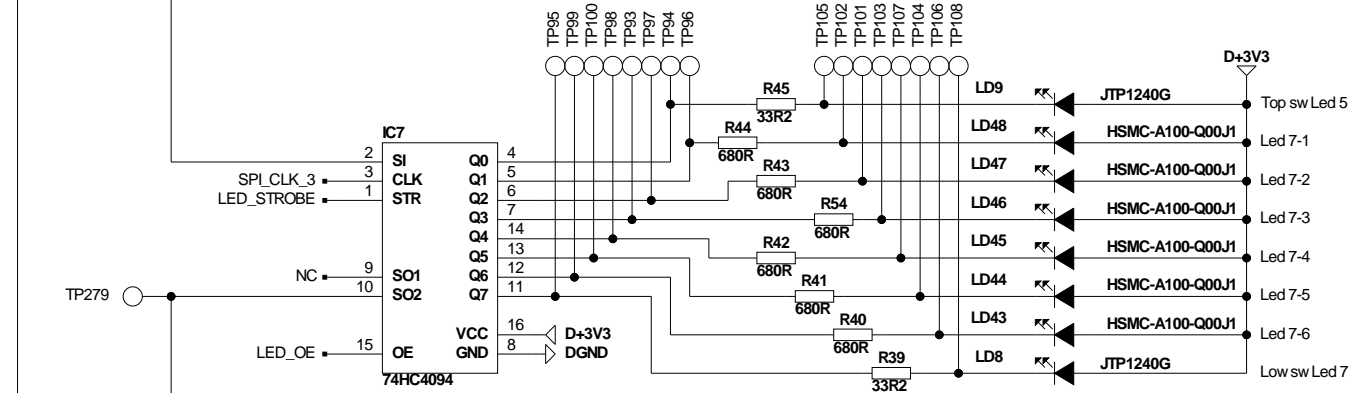
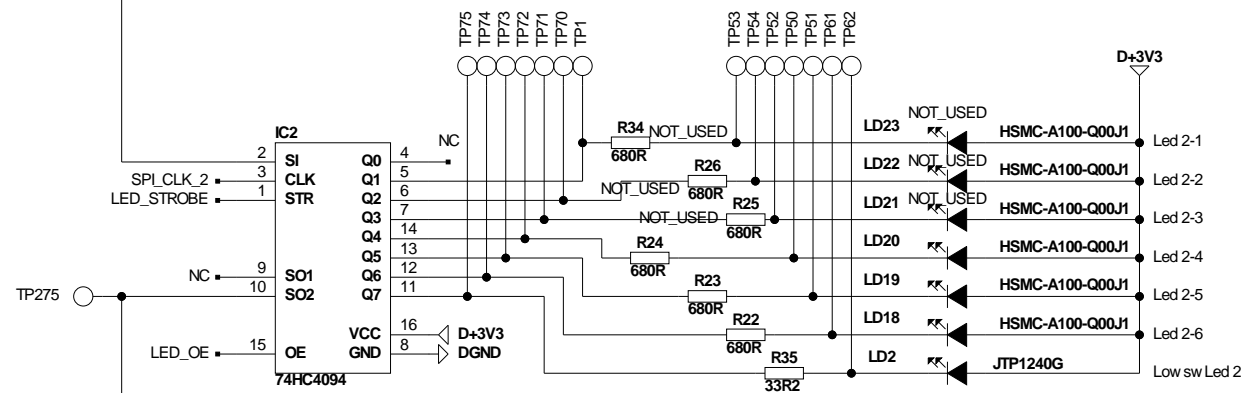
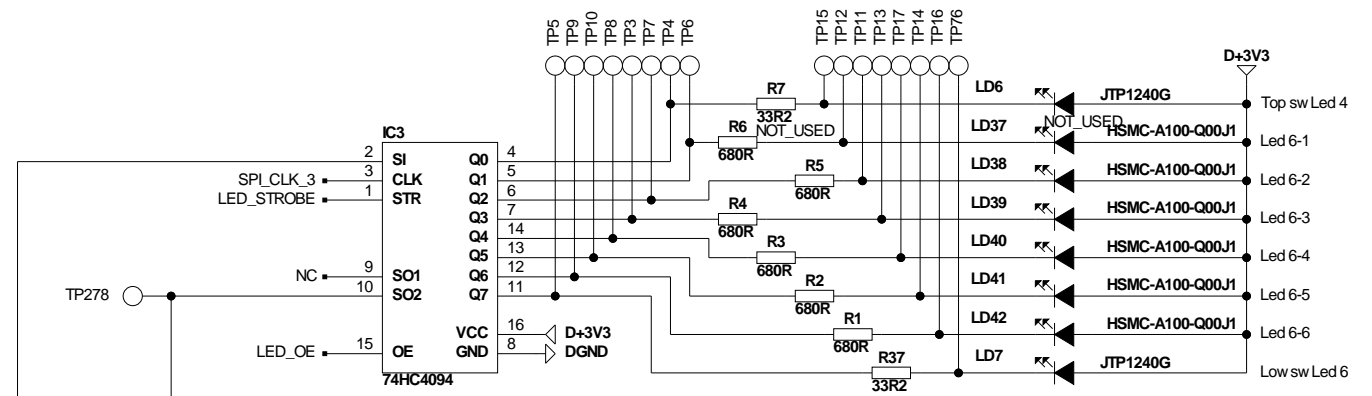
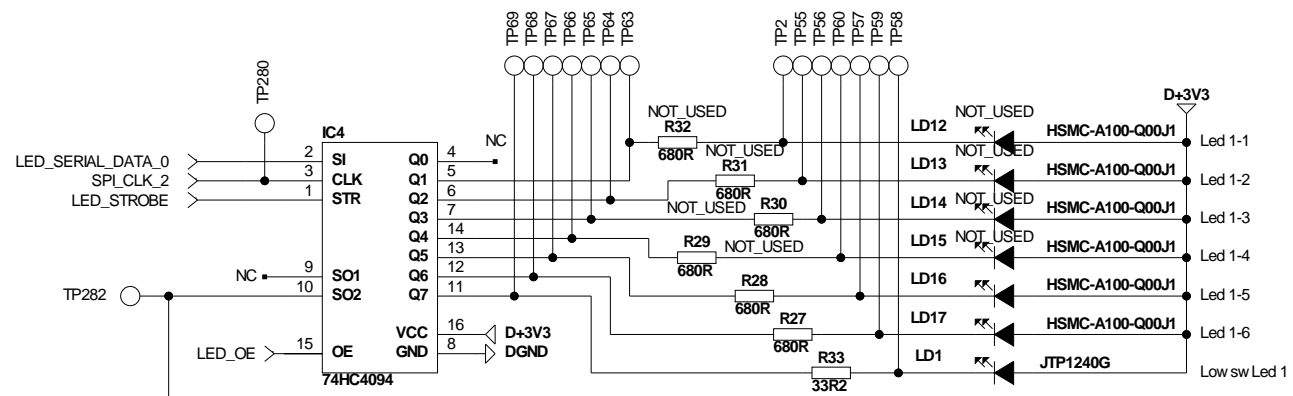
TC Electronic A/S		Designer NIMKSA
Title AC/EC/BC FRONT		Module title ENCODERS AND BUTTONS
Number P16517	Revision BBE	Previous page 1
Date 19-6-2008_10:49	Filename ENCS_AND_BUTTONS	Page / of 3 / 6



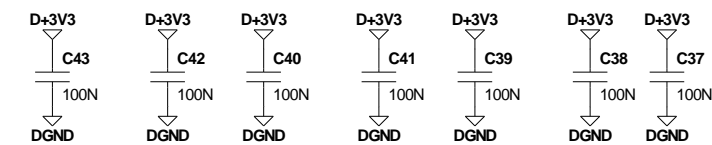
Decoupling for IC21 & IC27



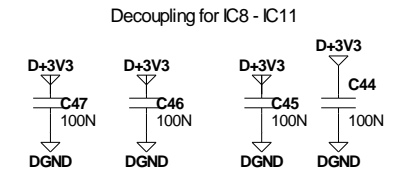
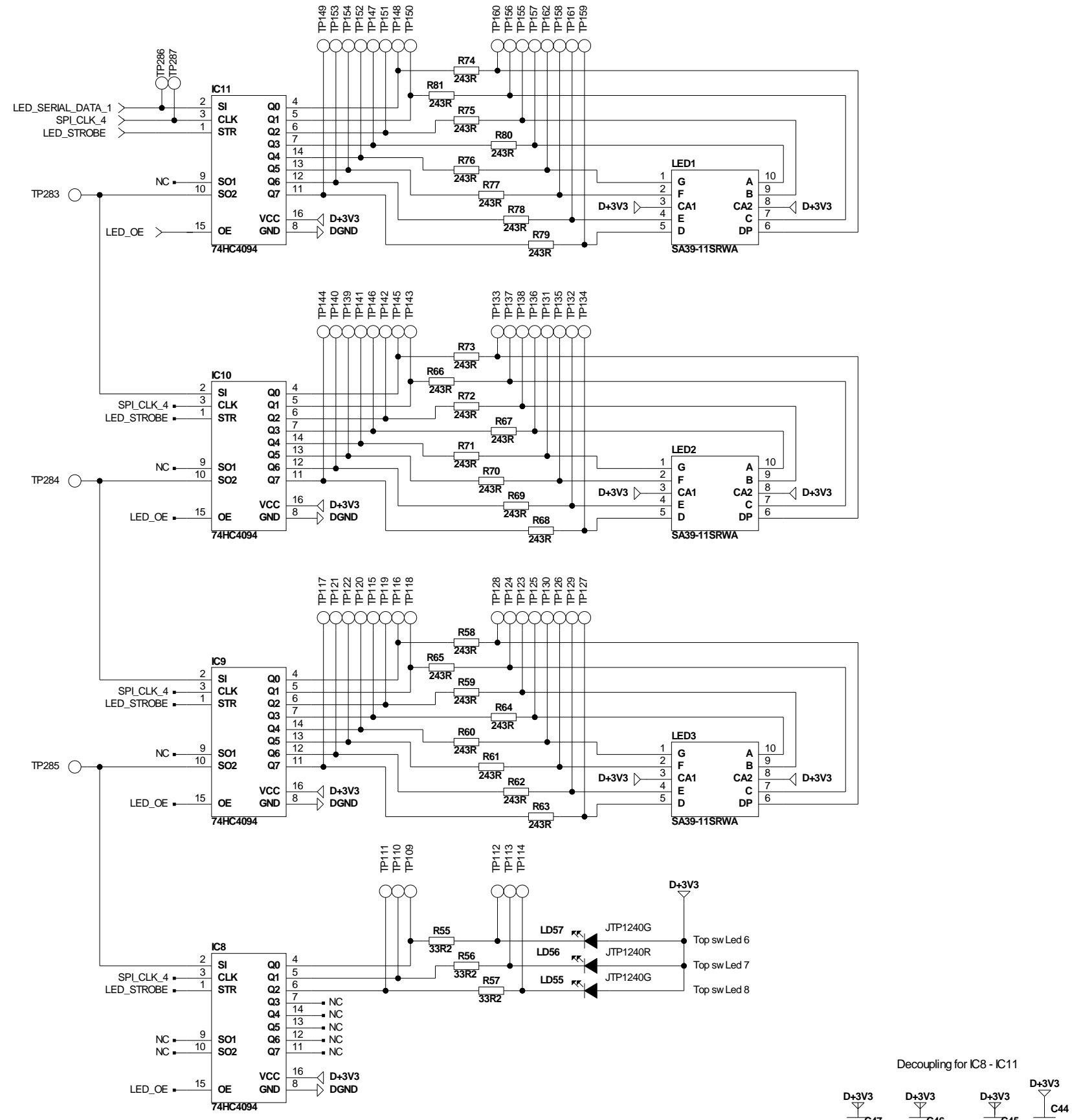
TC Electronic A/S		Designer
AC/EC/BC FRONT		NIMKSA
Module title		FOOTSWITCHES
Number	Revision	Previous page
P16517	BBE	1
Date	Filename	Page / of
19-6-2008_10:49	FOOTSWITCHES	4 / 6



Decoupling for IC1 - IC7



TC Electronic A/S		Designer NIMKSA
Title AC/EC/BC FRONT		Module title LEDS CONTROL
Number 16517	Revision BBE	Previous page 1
Date 19-6-2008_10:48	Filename LEDS_CONTROL	Page / of 5 / 6



TC Electronic A/S		Designer NIMKSA
Title AC/EC/BC FRONT		Module title DISPLAYLEDS
Number 16517	Revision BBE	Previous page 1
Date 19-6-2008_10:49	Filename DISPLAY_LEDS	Page / of 6 / 6