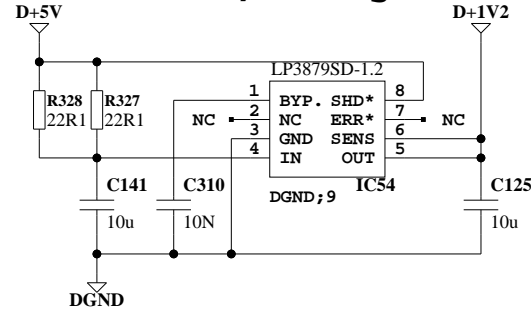
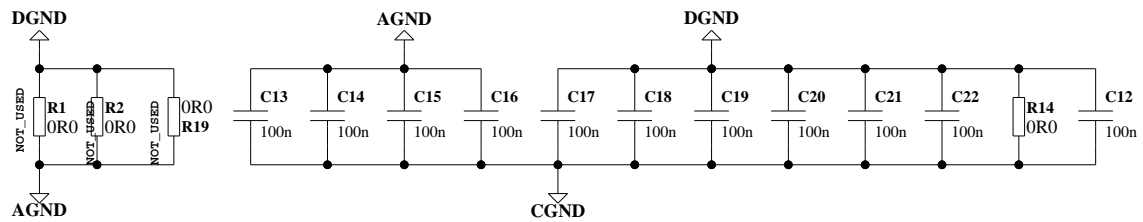
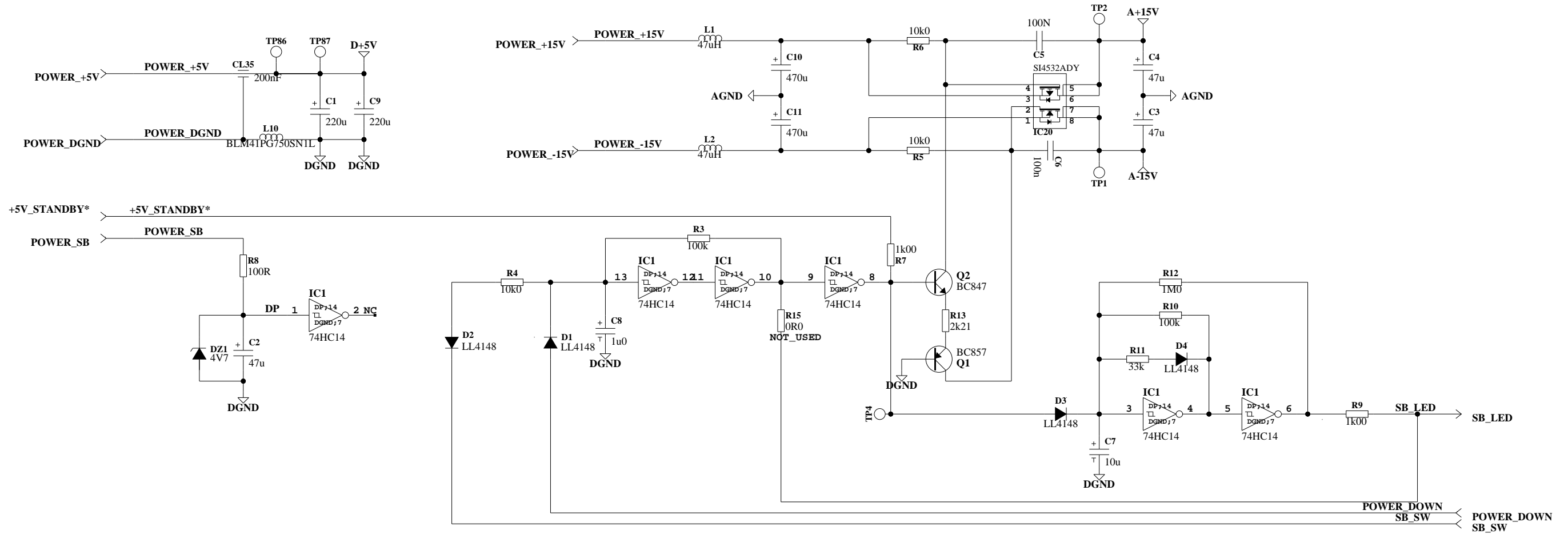
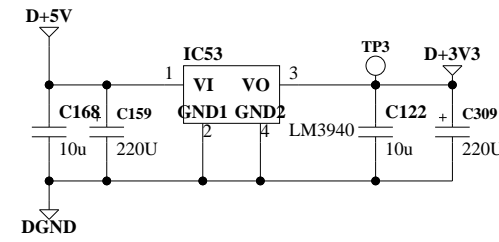


TC Electronic A/S		Designer MAR
Title MAINBOARD P2		Module title P13006-C P13006-CF
Number P13006	Revision CFD	Previous page 1
Date 28-2-2008 20:33	Filename	Page / of 1 / 15

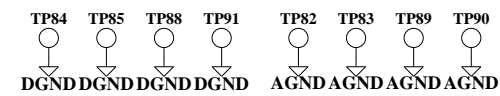
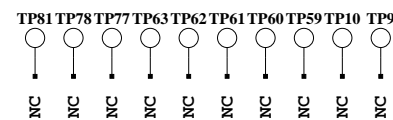
1,2V Regulator



3,3V Regulator

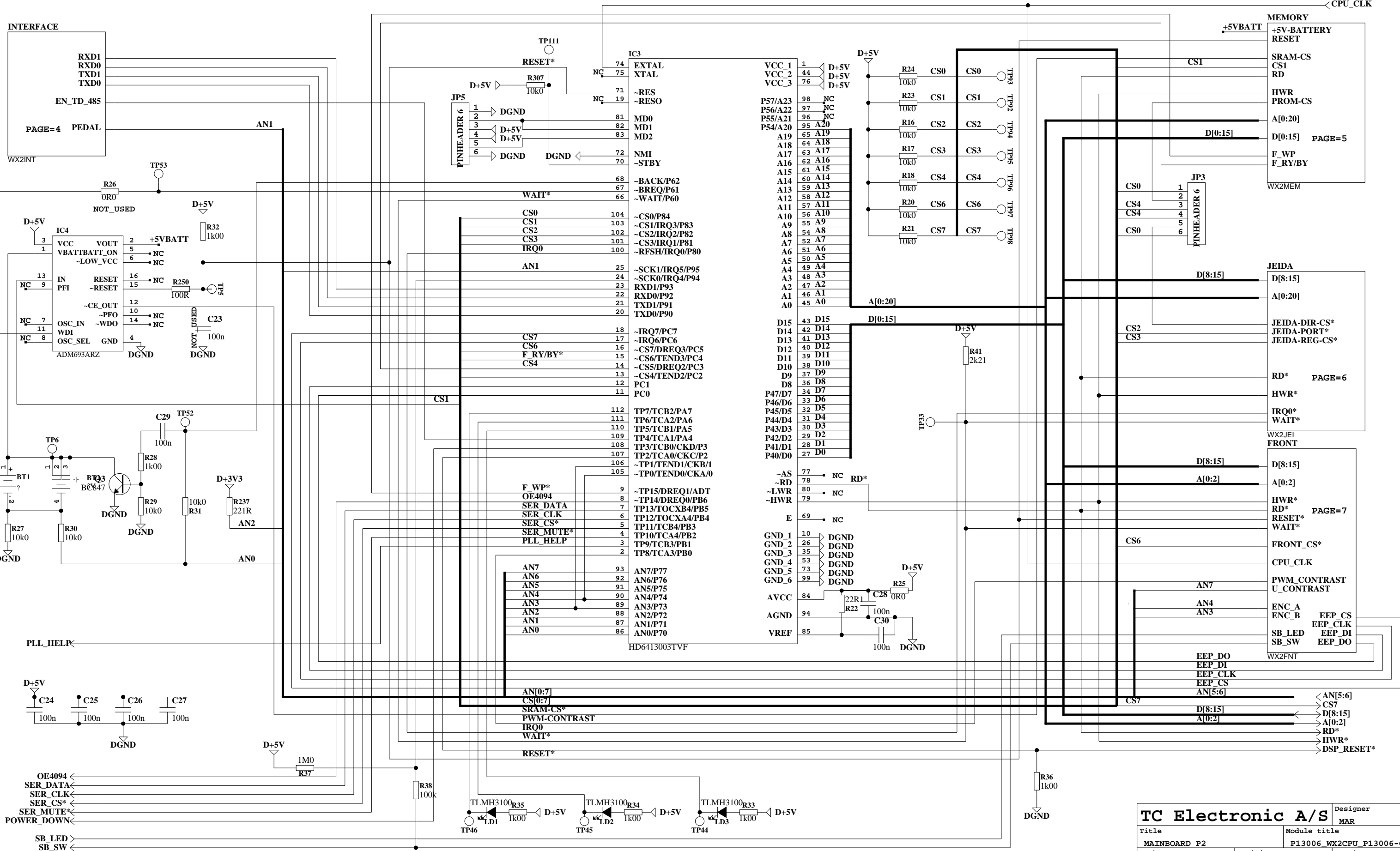
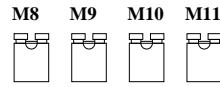


Unused Testpoints

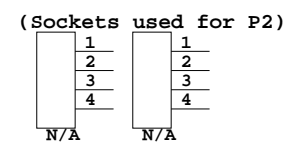
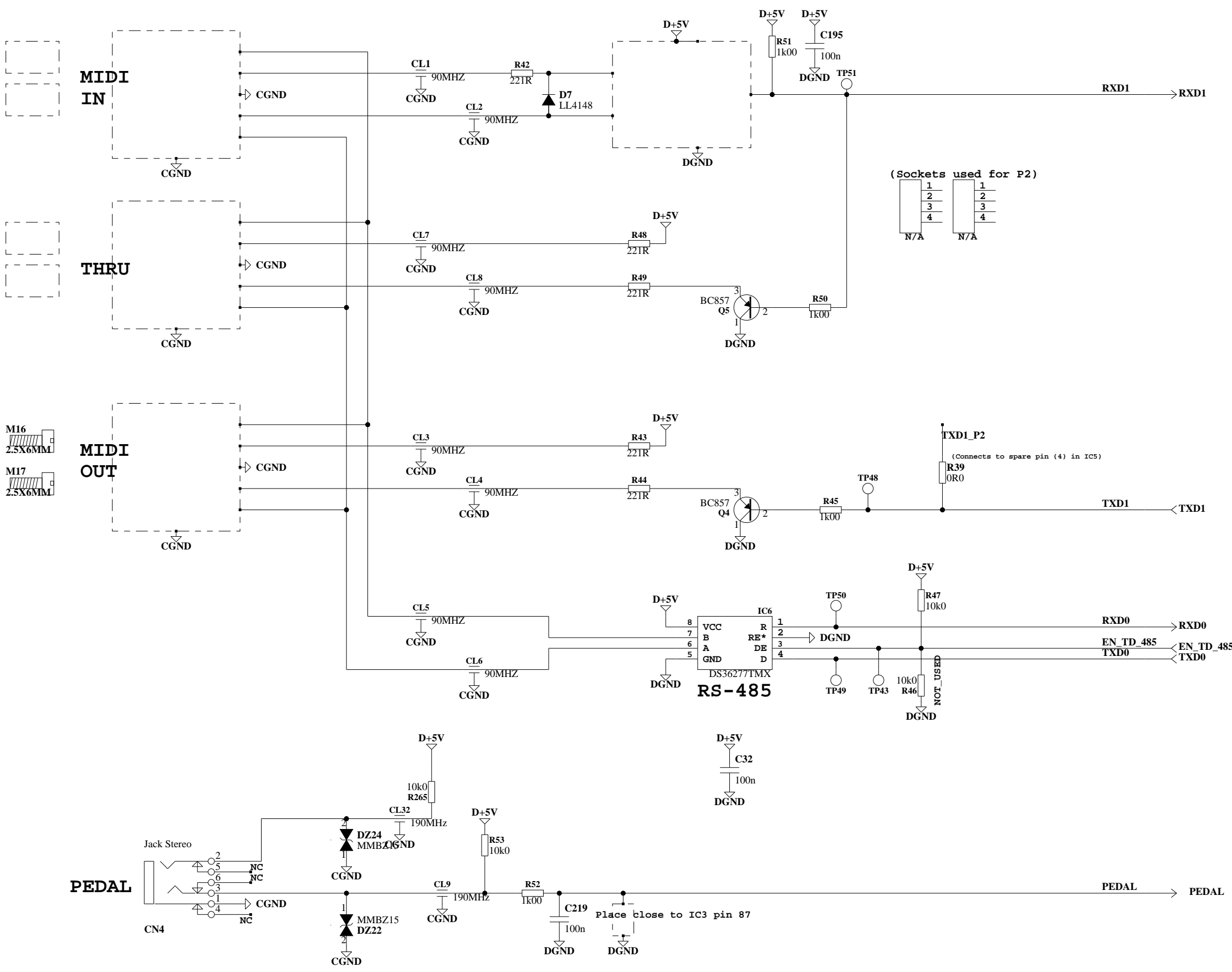


TC Electronic A/S

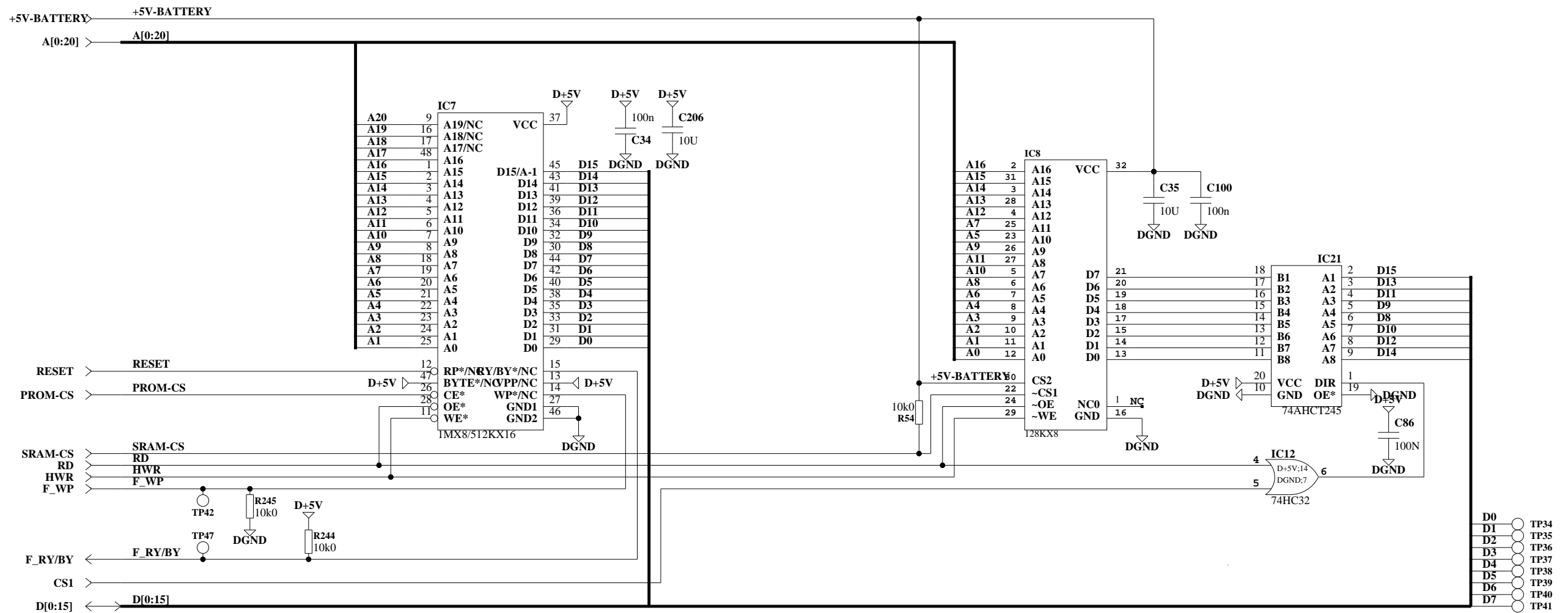
Title		Module title	Designer
MAINBOARD P2		P13006_WX2POW_P13006-CF_1	MAR
Number	Revision	Previous page	
P13006	CFD	1	
Date	Filename	Page / of	
28-2-2008 20:33		2 / 15	

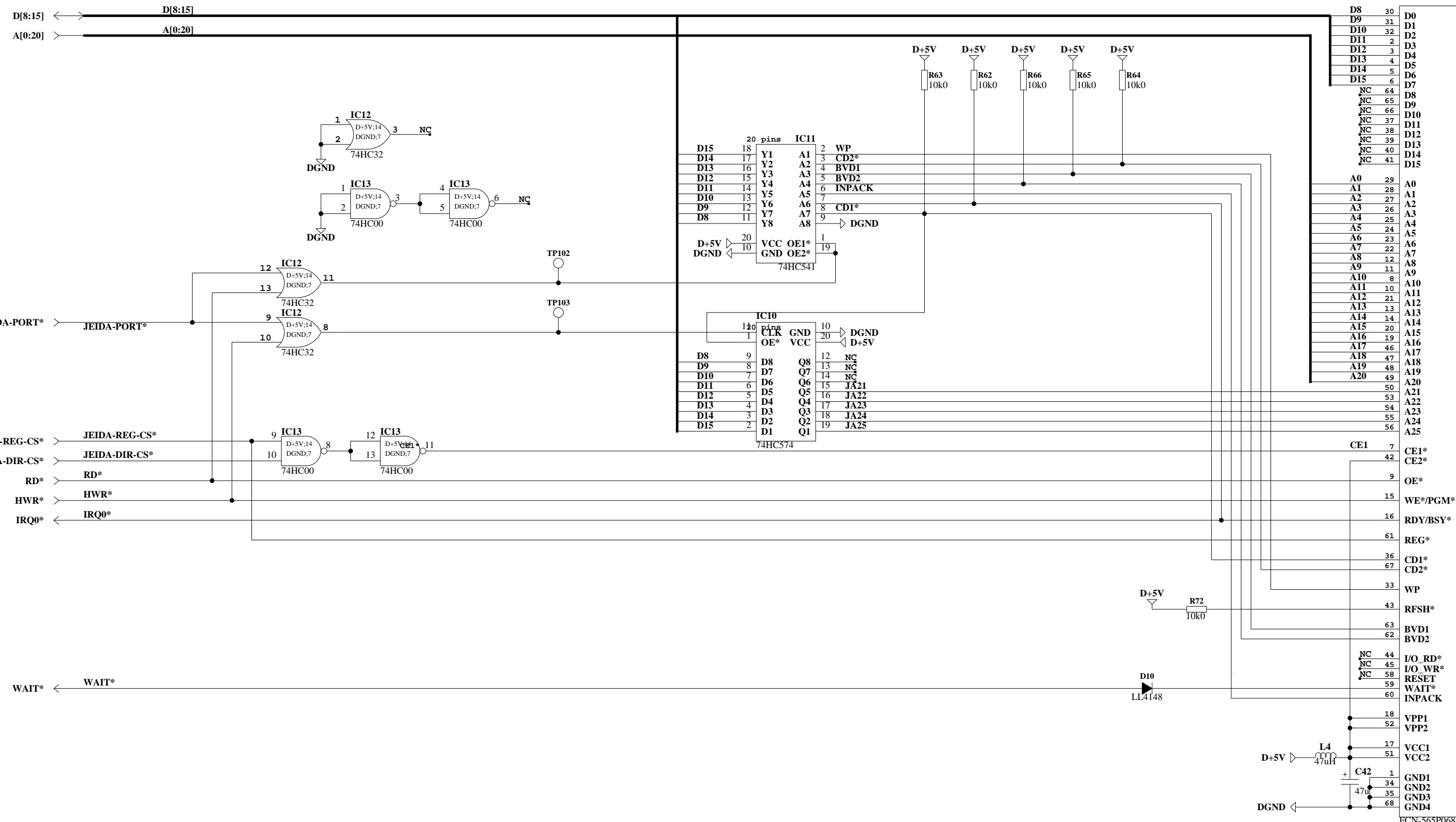


TC Electronic A/S		Designer MAR
Title MAINBOARD P2	Module title P13006_WX2CPU_P13006-CF_1	
Number P13006	Revision CFD	Previous page 1
Date 28-2-2008 20:33	Filename	Page / of 3 / 15

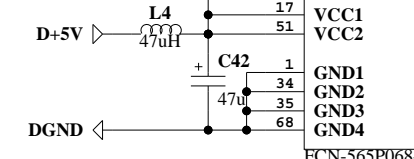
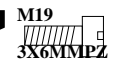


TC Electronic A/S		Designer MAR
Title MAINBOARD P2		Module title P13006 WX2INT P13006-CF_1
Number P13006	Revision CFD	Previous page 1
Date 28-2-2008 20:33	Filename	Page / of 4 / 15





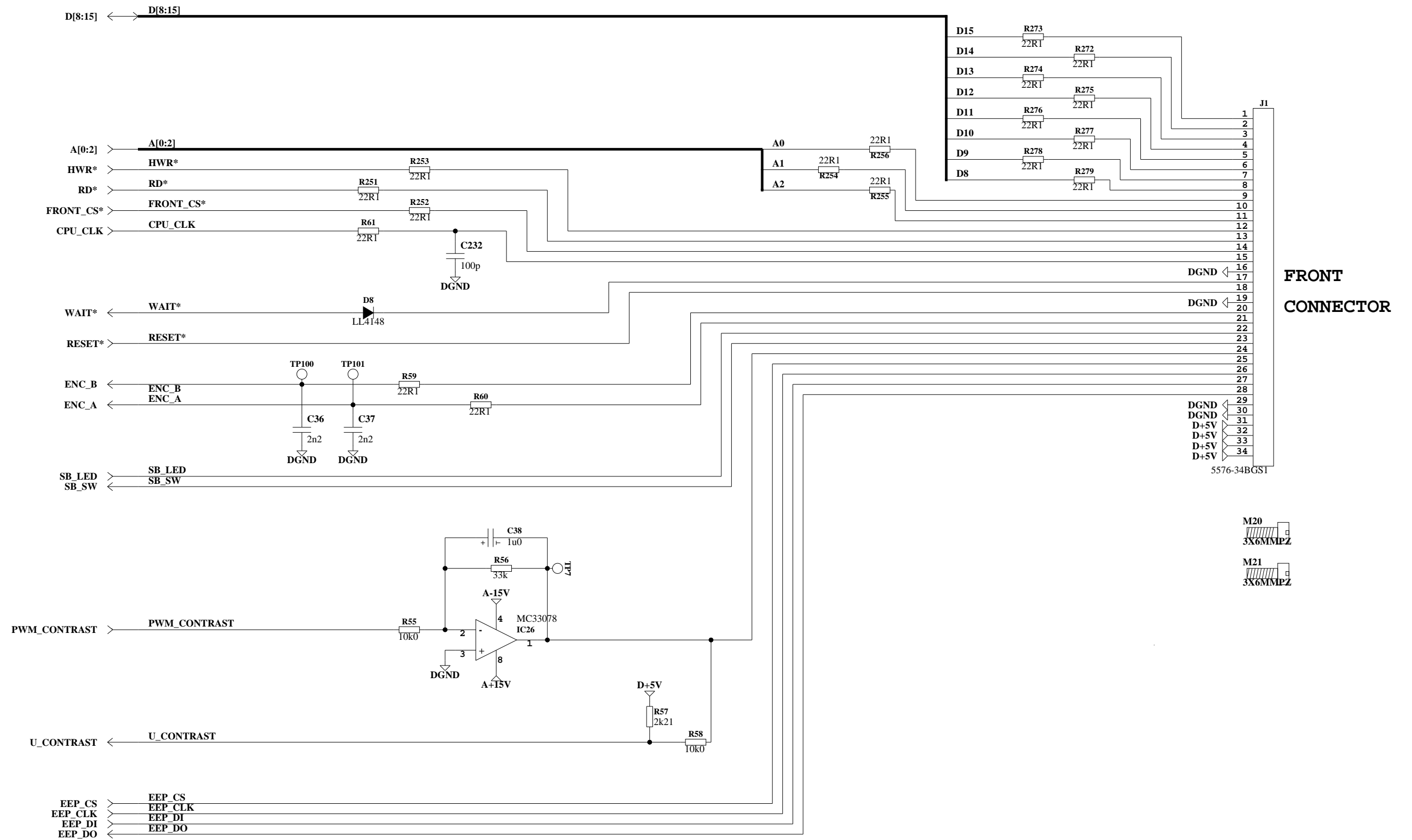
PCMCIA Type I



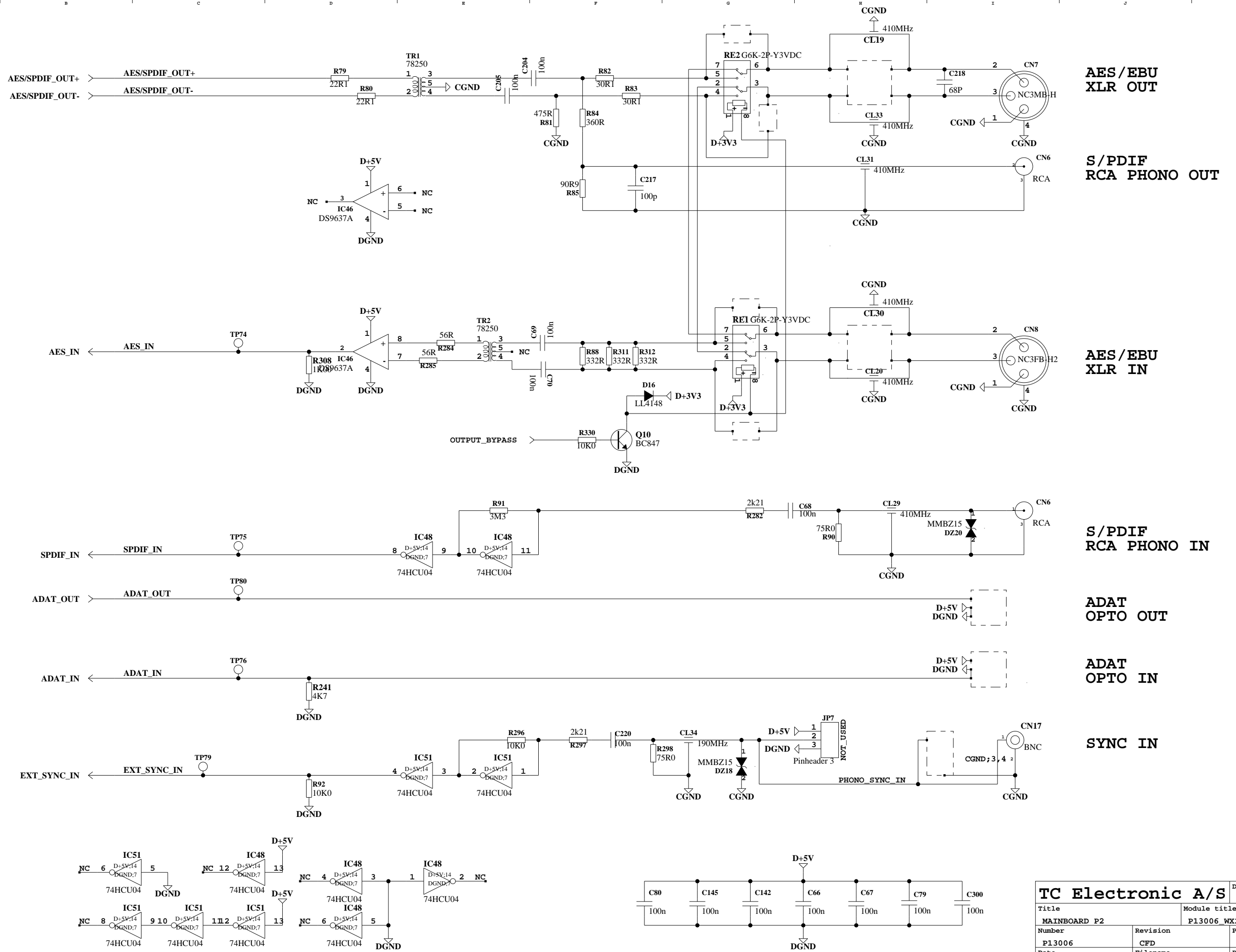
D8	30	D0
D9	31	D1
D10	32	D2
D11	2	D3
D12	3	D4
D13	4	D5
D14	5	D6
D15	6	D7
NC	64	D8
NC	65	D9
NC	66	D10
NC	37	D11
NC	38	D12
NC	39	D13
NC	40	D14
NC	41	D15
A0	29	A0
A1	28	A1
A2	27	A2
A3	26	A3
A4	25	A4
A5	24	A5
A6	23	A6
A7	22	A7
A8	12	A8
A9	11	A9
A10	8	A10
A11	10	A11
A12	21	A12
A13	13	A13
A14	14	A14
A15	20	A15
A16	19	A16
A17	46	A17
A18	47	A18
A19	48	A19
A20	49	A20
	50	A21
	53	A22
	54	A23
	55	A24
	56	A25
CE1	7	CE1*
	42	CE2*
	9	OE*
	15	WE*/PGM*
	16	RDY/BSY*
	61	REG*
	36	CD1*
	67	CD2*
	33	WP
	43	RFSH*
	63	BVD1
	62	BVD2
NC	44	I/O_RD*
NC	45	I/O_WR*
NC	58	RESET
	59	WAIT*
	60	INPACK
	18	VPP1
	52	VPP2
	17	VCC1
	51	VCC2
	1	GND1
	34	GND2
	35	GND3
	68	GND4

FCN-565P068-G/C-V4

TC Electronic A/S		Designer
NOT USED		MAR
Title	Module title	
MAINBOARD P2	P13006_WX2JEI_P13006-CF_1	
Number	Revision	Previous page
DRM4X MAIN BOARD P13006	CFD	1
Date	Filename	Page / of
28-2-2008 20:33		6 / 15



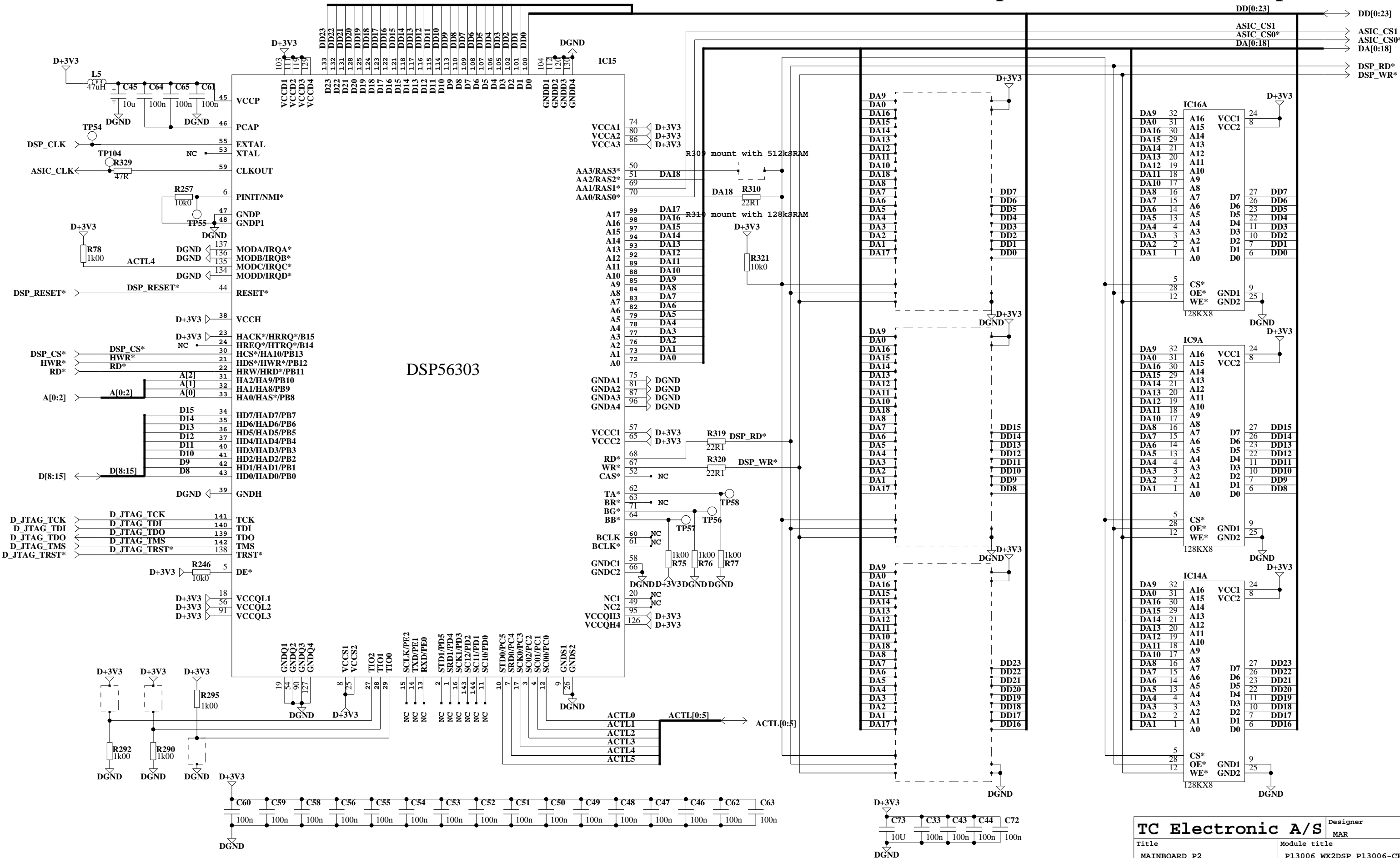
TC Electronic A/S		Designer MAR
Title MAINBOARD P2		Module title P13006 WX2FNT P13006-CF_1
Number P13006	Revision CFD	Previous page 1
Date 28-2-2008 20:33	Filename	Page / of 7 / 15



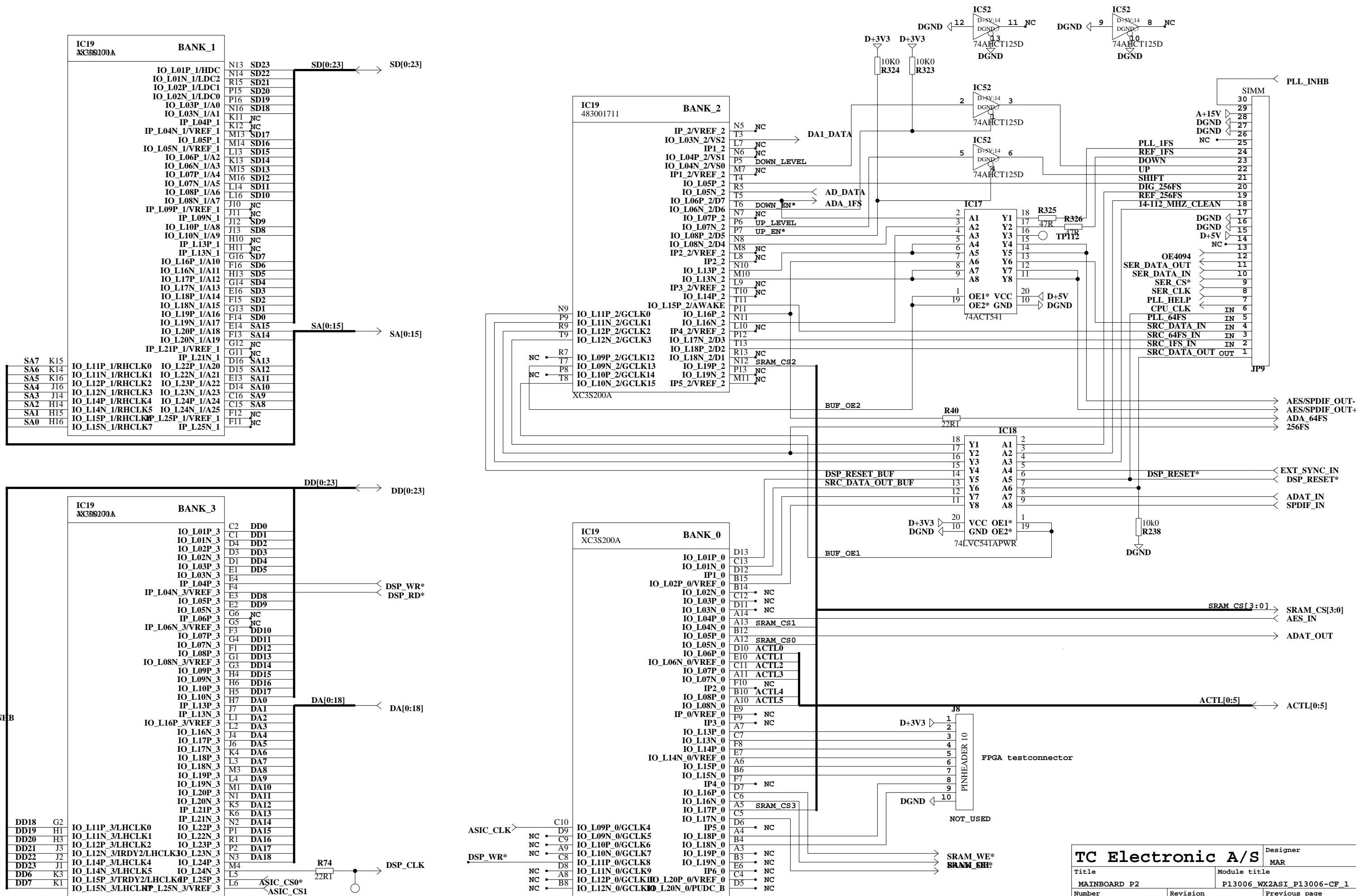
TC Electronic A/S		Designer MAR
Title MAINBOARD P2		Module title P13006_WX2DGI_P13006-CF_1
Number P13006	Revision CFD	Previous page 1
Date 28-2-2008 20:33	Filename	Page / of 8 / 15

512k SRAM option

128k SRAM option

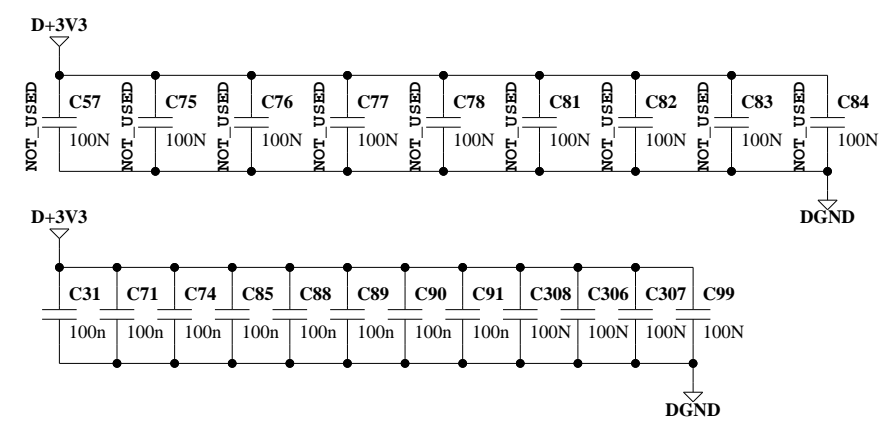
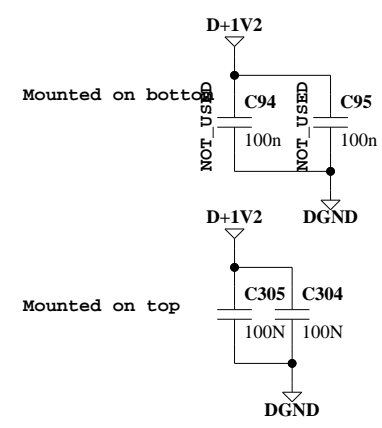
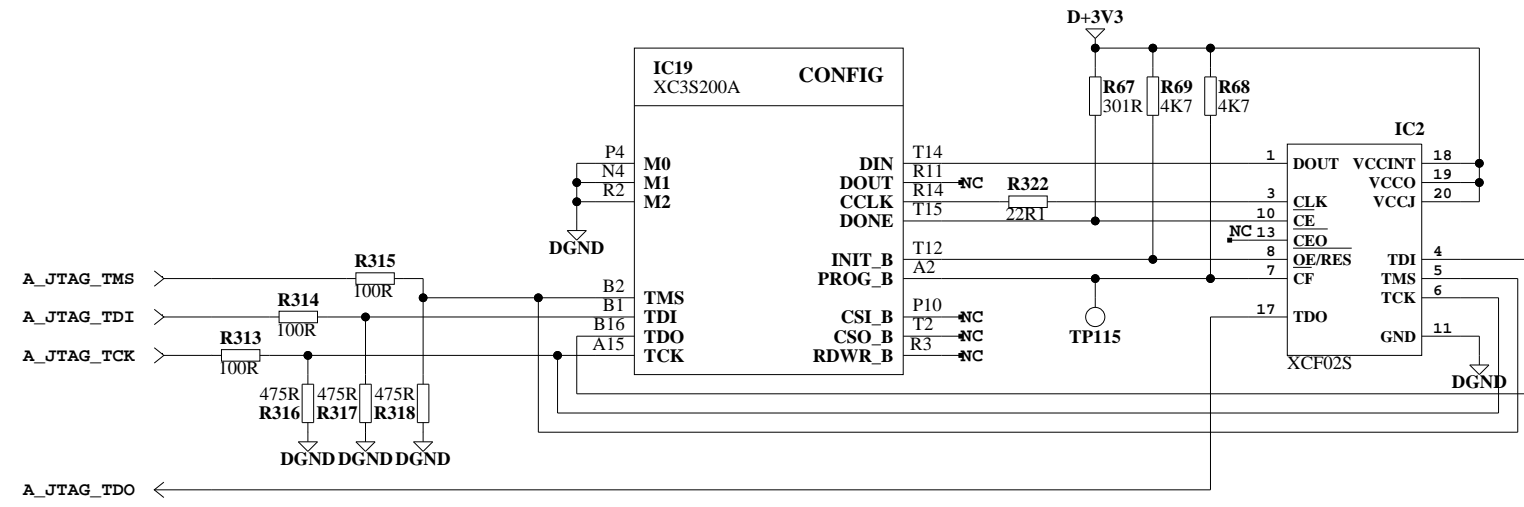
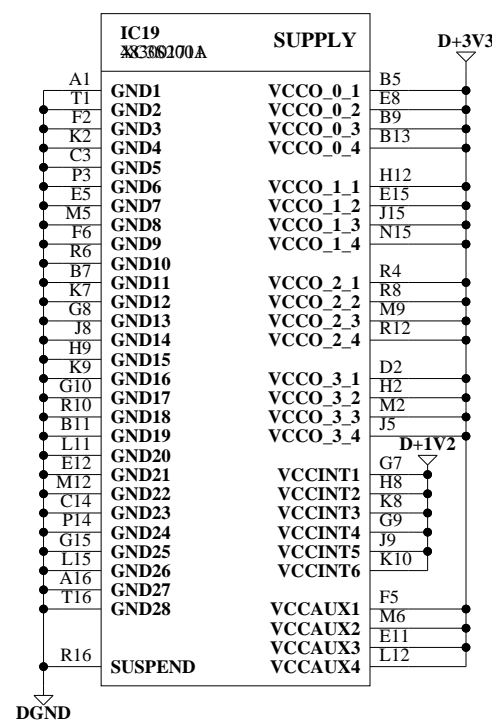


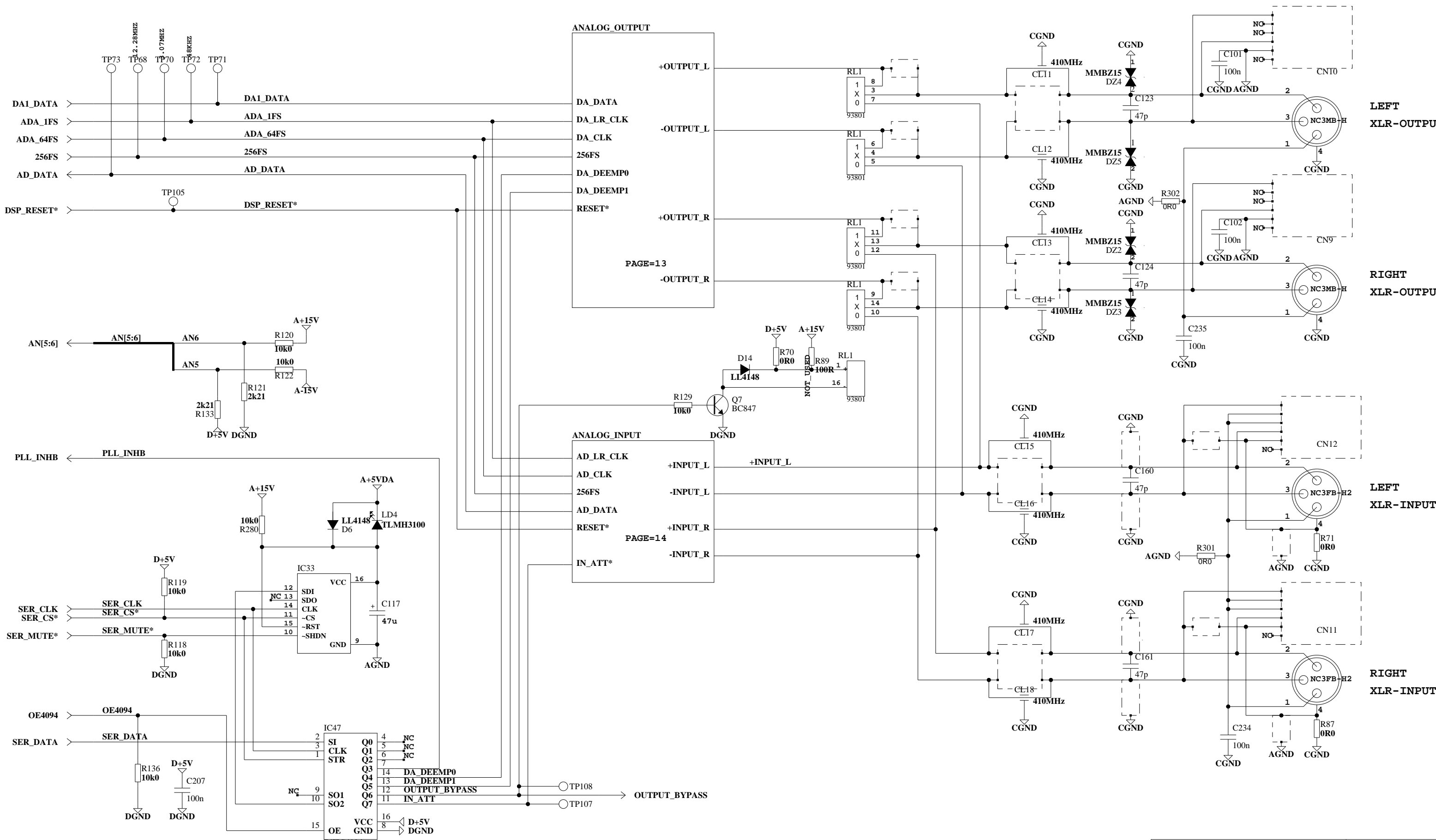
TC Electronic A/S		Designer MAR
Title MAINBOARD P2		Module title P13006_WX2DSP_P13006-CF_1
Number P13006	Revision CFD	Previous page 1
Date 28-2-2008 20:33	Filename	Page / of 9 / 15



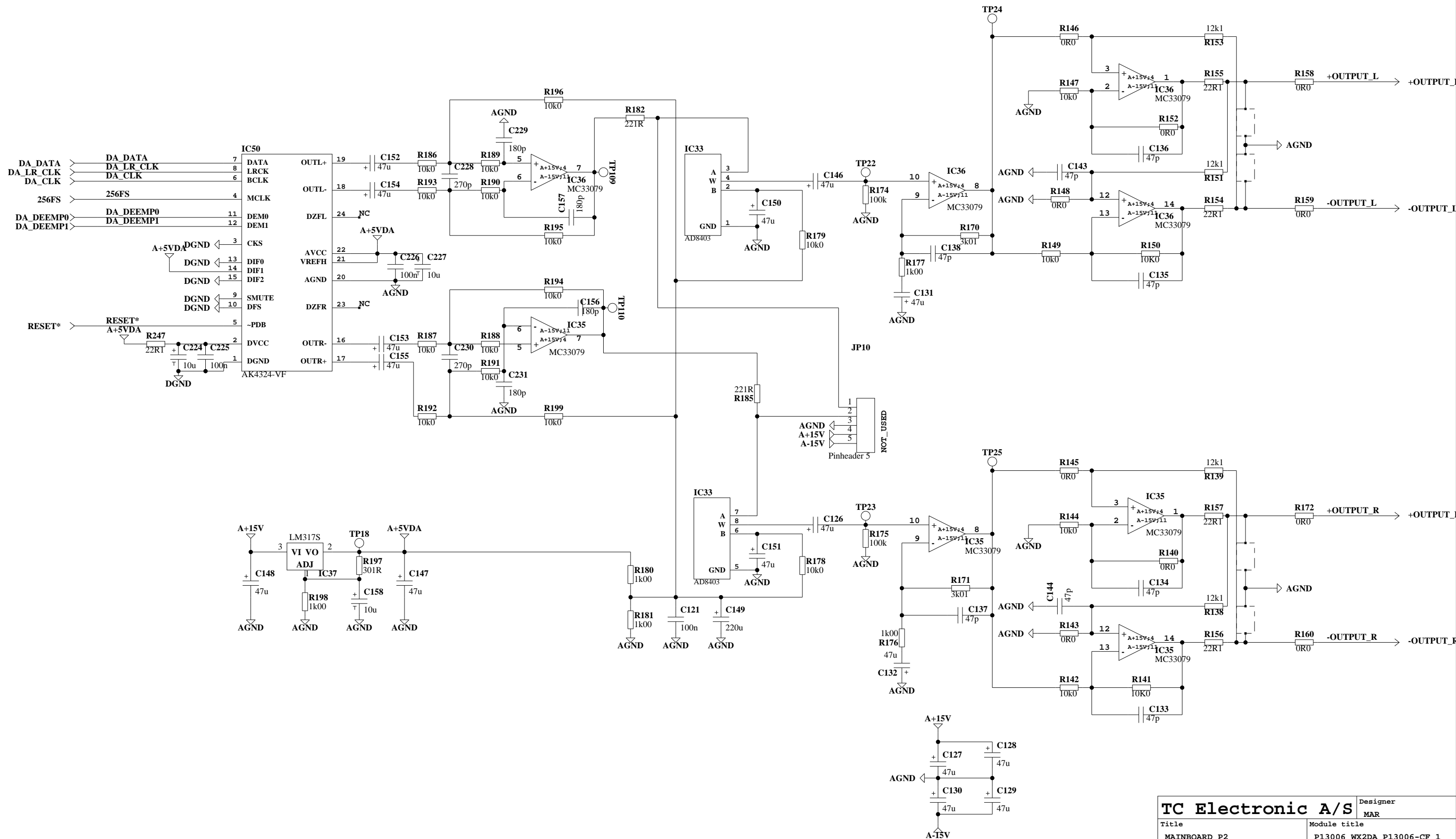
TC Electronic A/S Designer
MAR

Title MAINBOARD P2		Module title P13006_WX2ASI_P13006-CF_1	
Number P13006	Revision CFD	Previous page 1	
Date 28-2-2008 20:33	Filename	Page / of 10 / 15	

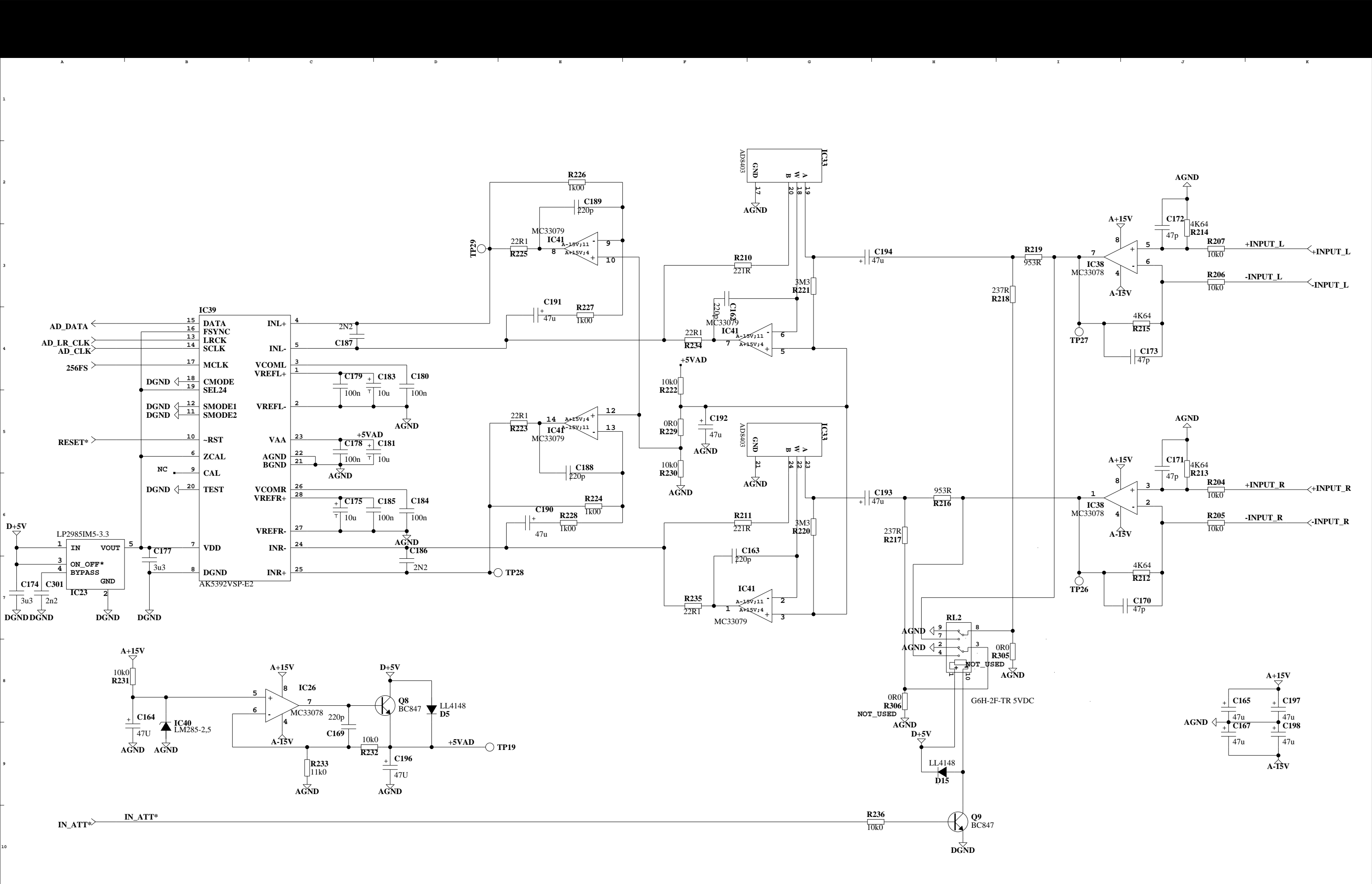




TC Electronic A/S		Designer MAR
Title MAINBOARD P2	Module title P13006 WX2ADA P13006-CF_1	
Number P13006	Revision CFD	Previous page 1
Date 28-2-2008 20:33	Filename	Page / of 12 / 15



TC Electronic A/S		Designer MAR
Title MAINBOARD P2		Module title P13006_WX2DA_P13006-CF_1
Number P13006	Revision CFD	Previous page 1
Date 28-2-2008 20:33	Filename	Page / of 13 / 15



TC Electronic A/S		Designer MAR
Title MAINBOARD P2	Module title P13006_WX2AD_P13006-CF_1	
Number P13006	Revision CFD	Previous page 1
Date 28-2-2008 20:33	Filename	Page / of 14 / 15

