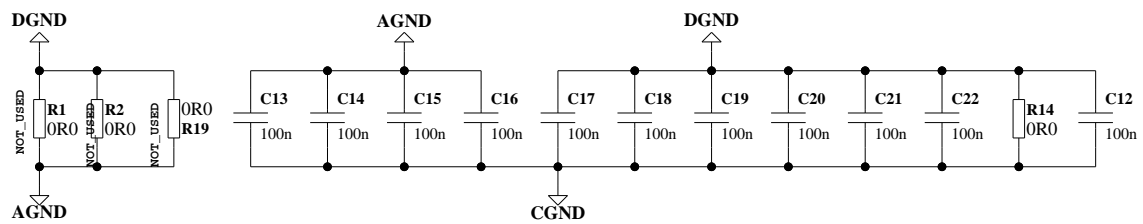
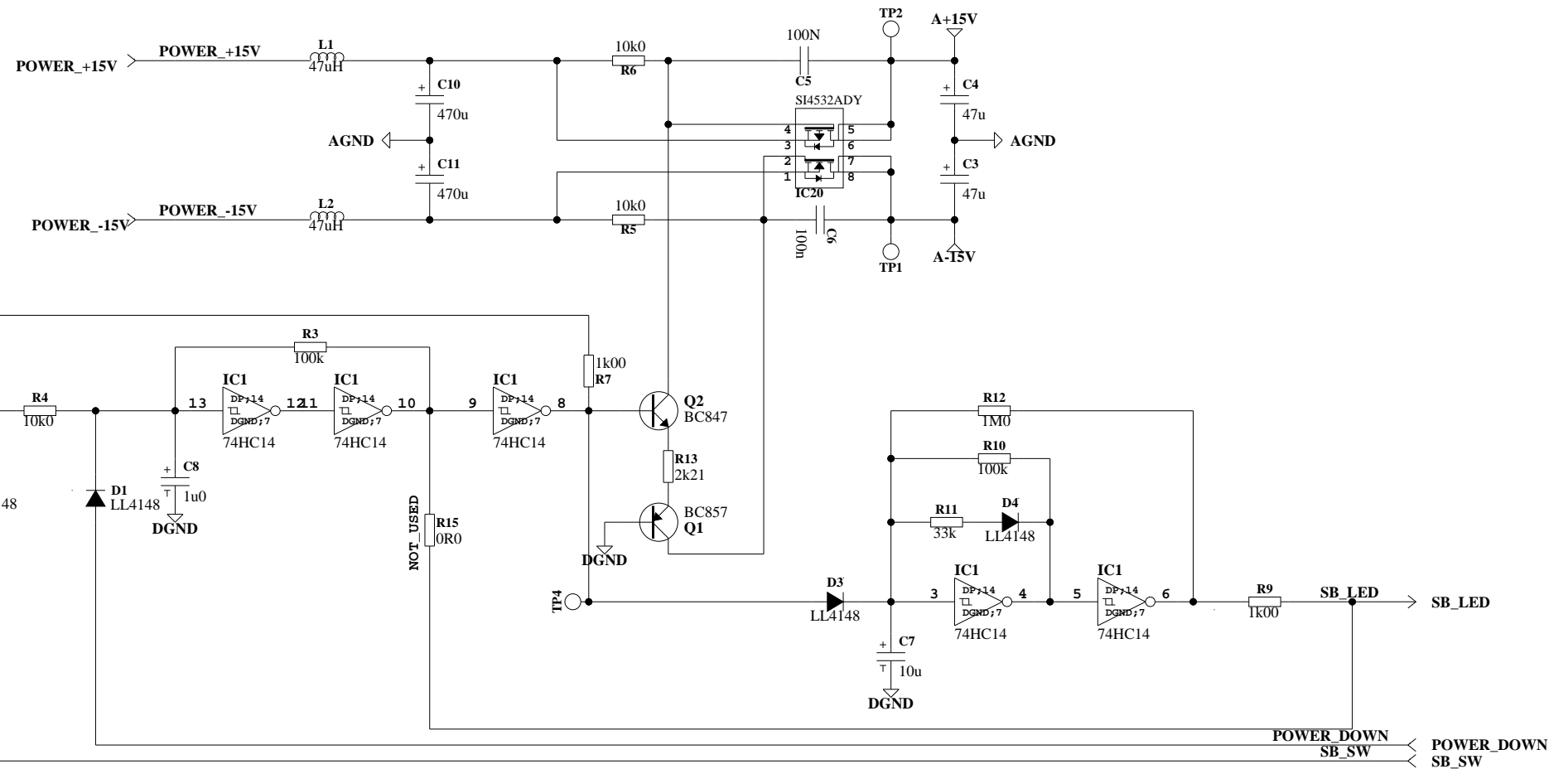
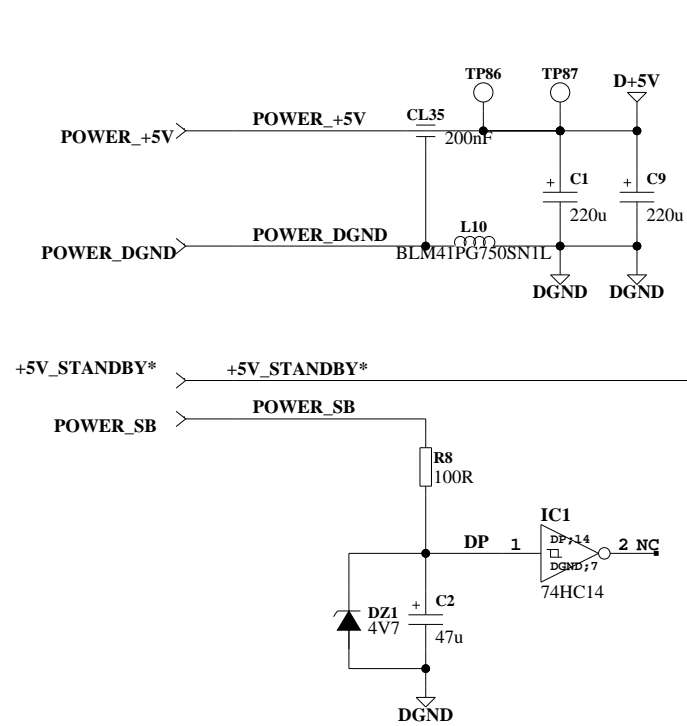
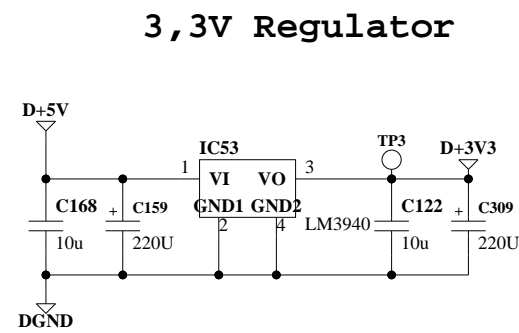
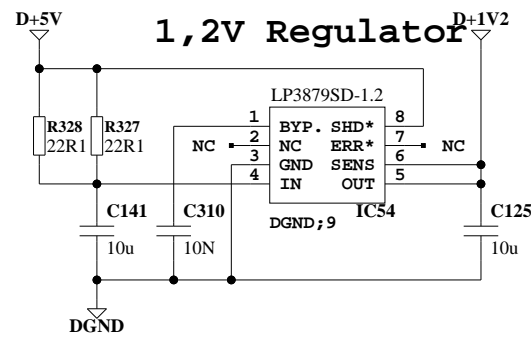
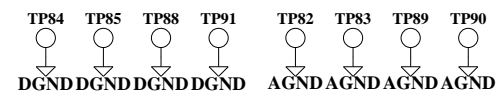
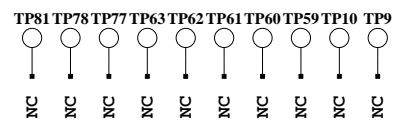


<b>TC Electronic A/S</b>		Designer MAR
Title MAINBOARD P2		Module title P13006-D_P13006-DF
Number P13006	Revision DFB	Previous page 1
Date 16-2-2009 19:26	Filename	Page / of 1 / 15

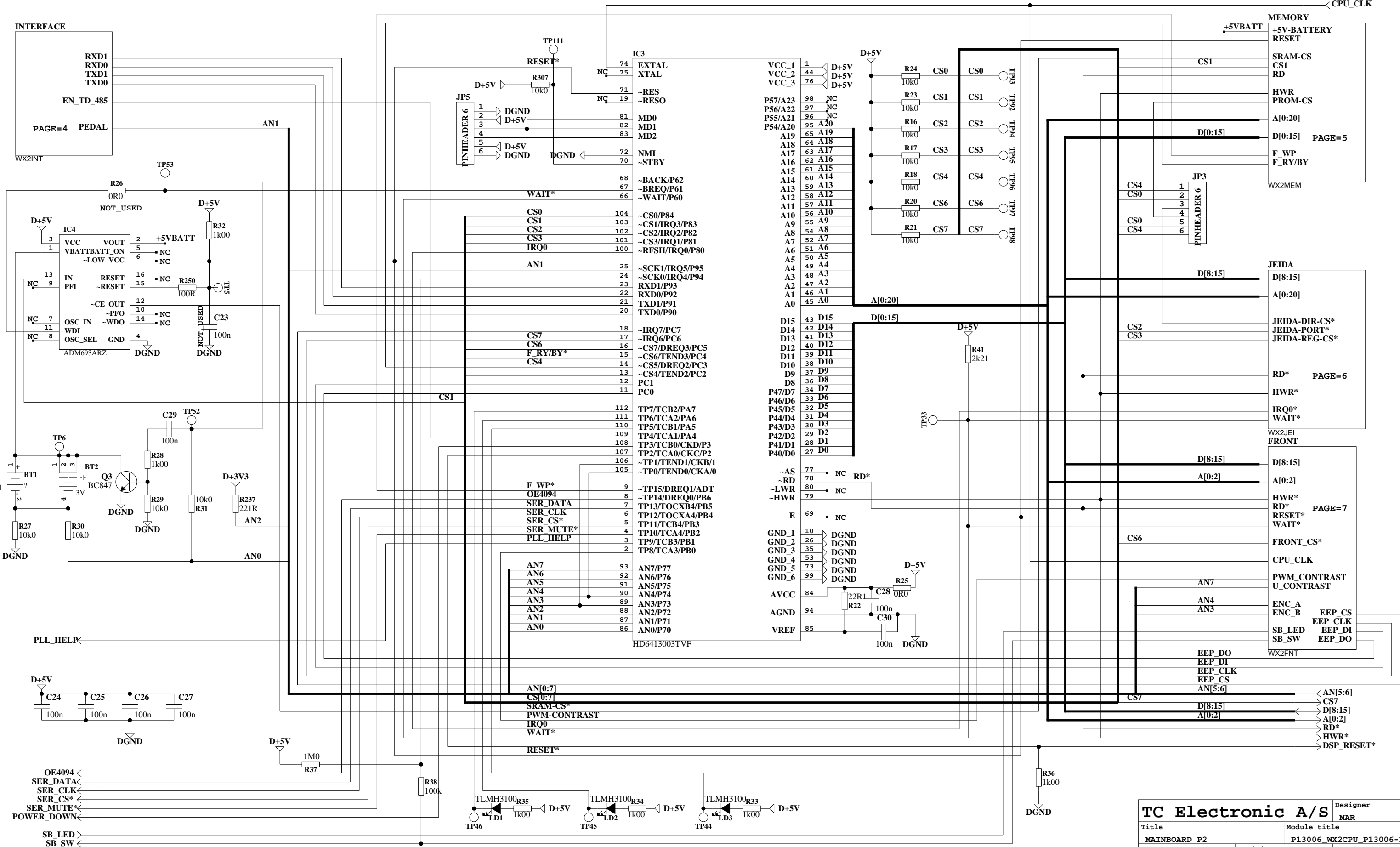


Unused Testpoints

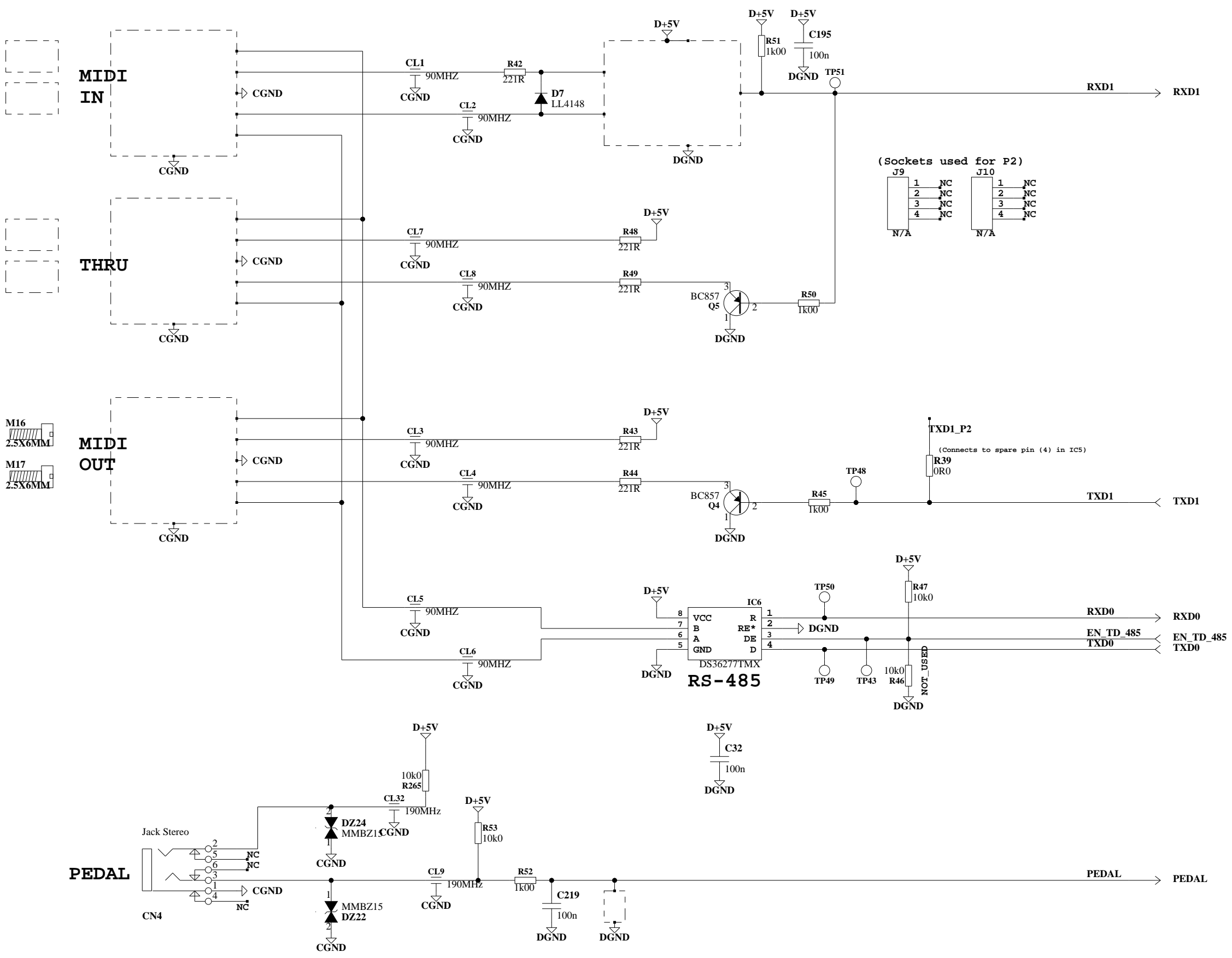


## TC Electronic A/S

Title MAINBOARD P2		Module title P13006_WX2POW_P13006-DF_1		Designer MAR
Number P13006	Revision DFB	Previous page 1		Page / of 2 / 15
Date 16-2-2009 19:26	Filename			



<b>TC Electronic A/S</b>		Designer MAR
Title MAINBOARD P2	Module title P13006_WX2CPU_P13006-DF_1	
Number P13006	Revision DFB	Previous page 1
Date 16-2-2009 19:26	Filename	Page / of 3 / 15

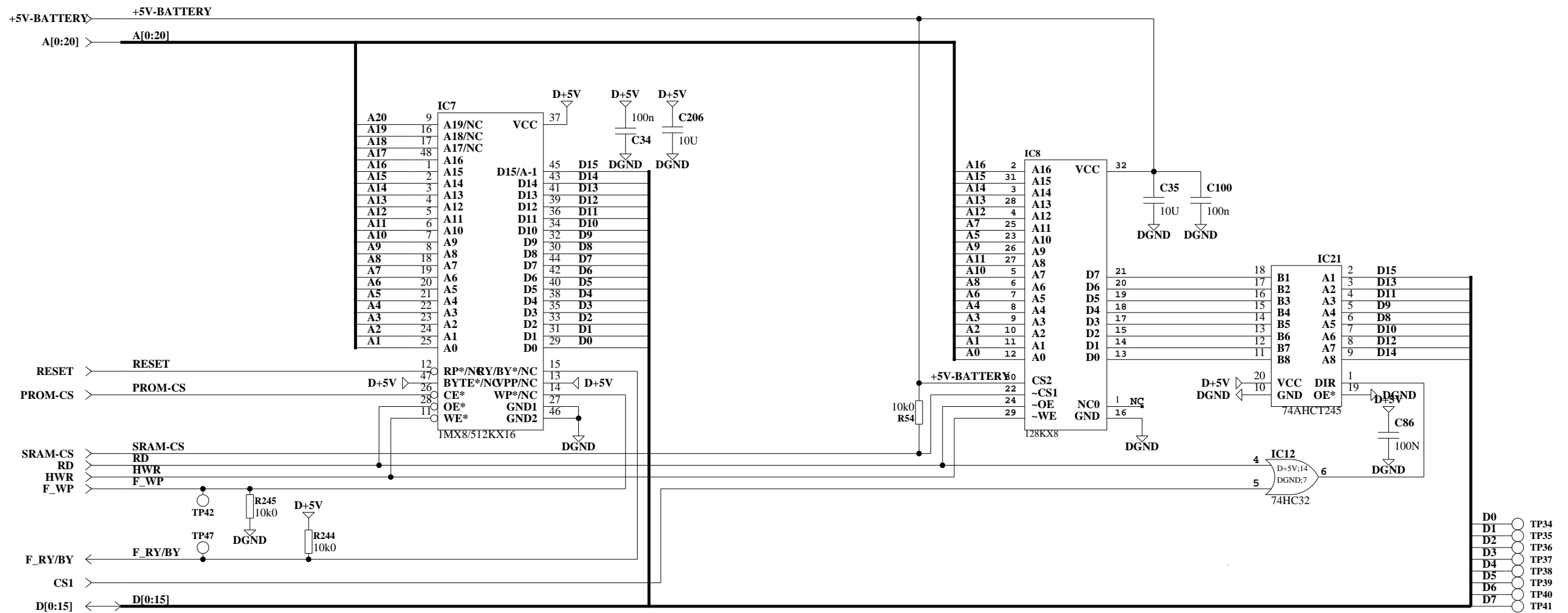


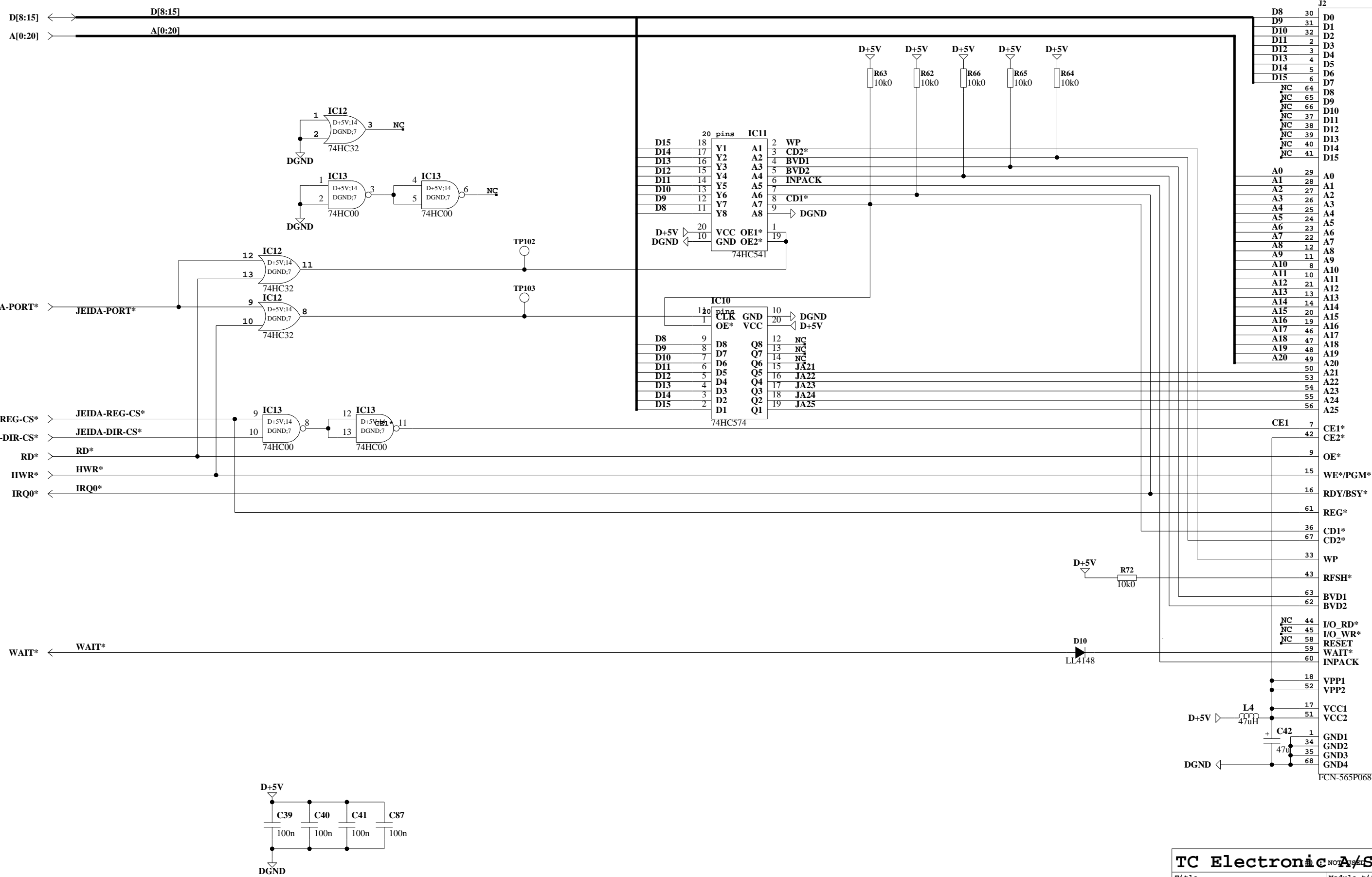
(Sockets used for P2)

J9	1	NC	J10	1	NC
	2	NC		2	NC
	3	NC		3	NC
	4	NC		4	NC
N/A			N/A		

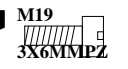
TXD1\_P2  
(Connects to spare pin (4) in IC5)

<b>TC Electronic A/S</b>		Designer MAR
Title MAINBOARD P2		Module title P13006 WX2INT P13006-DF_1
Number P13006	Revision DFB	Previous page 1
Date 16-2-2009 19:26	Filename	Page / of 4 / 15



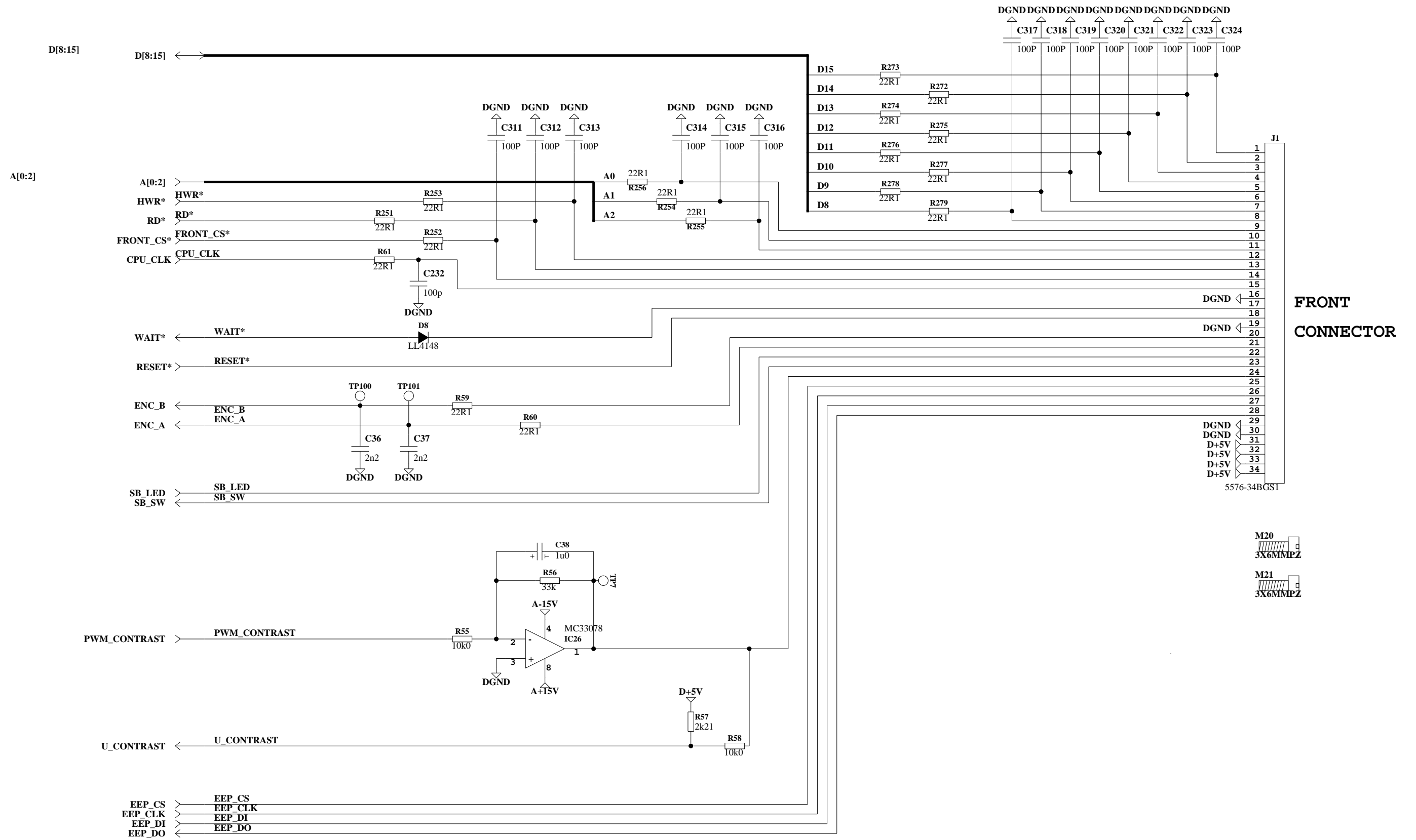


**PCMCIA Type I**

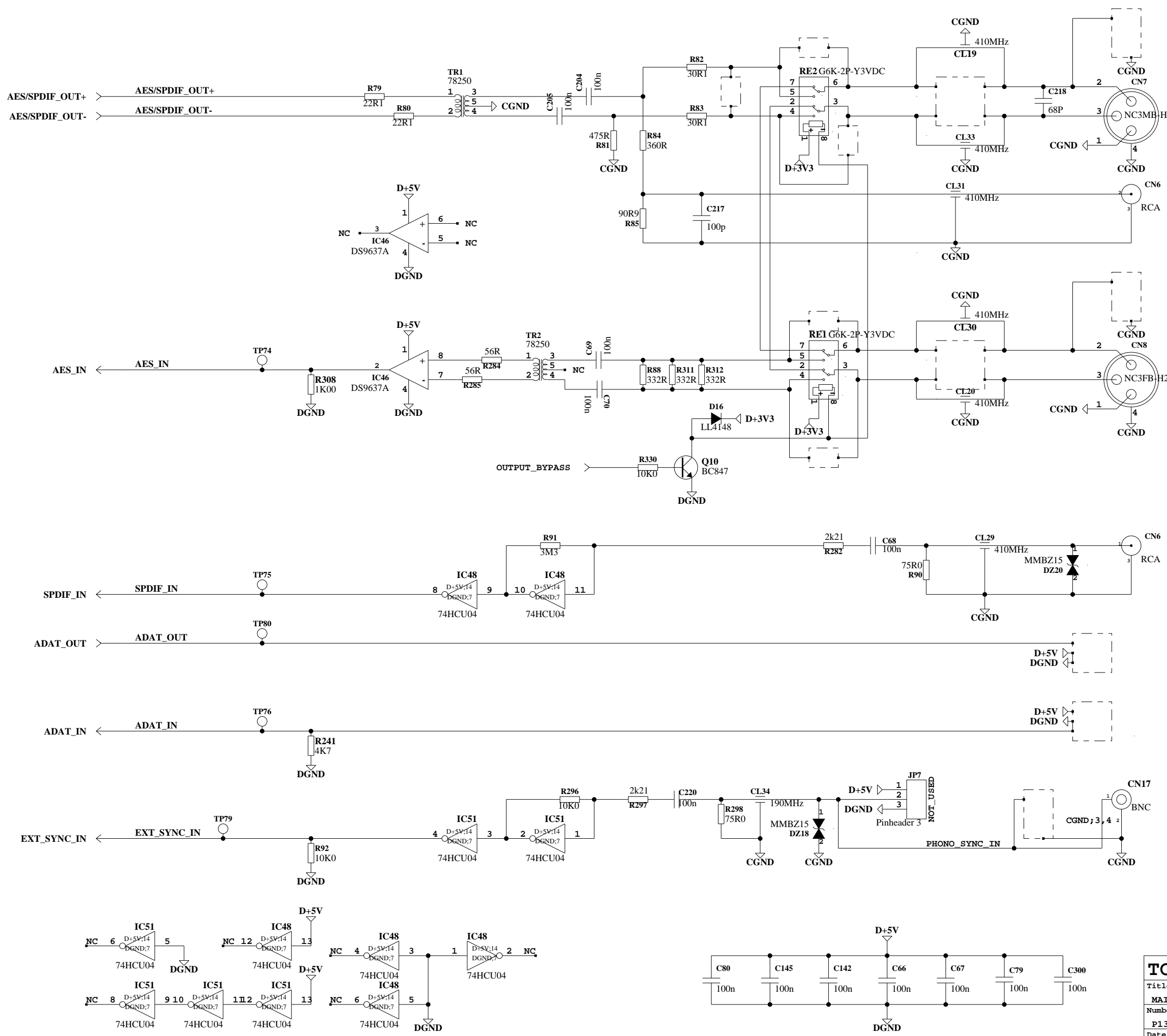


FCN-565P068-G/C-V4

<b>TC Electronic A/S</b>		Designer MAR
Title MAINBOARD P2	Module title P13006_WX2JEI_P13006-DF_1	Previous page 1
Number *DRMAX MAIN BOARD* P13006	Revision DFB	Page / of 6 / 15
Date 16-2-2009 19:26	Filename	



<b>TC Electronic A/S</b>		Designer MAR
Title MAINBOARD P2	Module title P13006_WX2FNT_P13006-DF_1	
Number P13006	Revision DFB	Previous page 1
Date 16-2-2009 19:26	Filename	Page / of 7 / 15



Optional AES3id  
BNC OUT

AES/EBU  
XLR OUT

S/PDIF  
RCA PHONO OUT

Optional AES3id  
BNC IN

AES/EBU  
XLR IN

S/PDIF  
RCA PHONO IN

ADAT  
OPTO OUT

ADAT  
OPTO IN

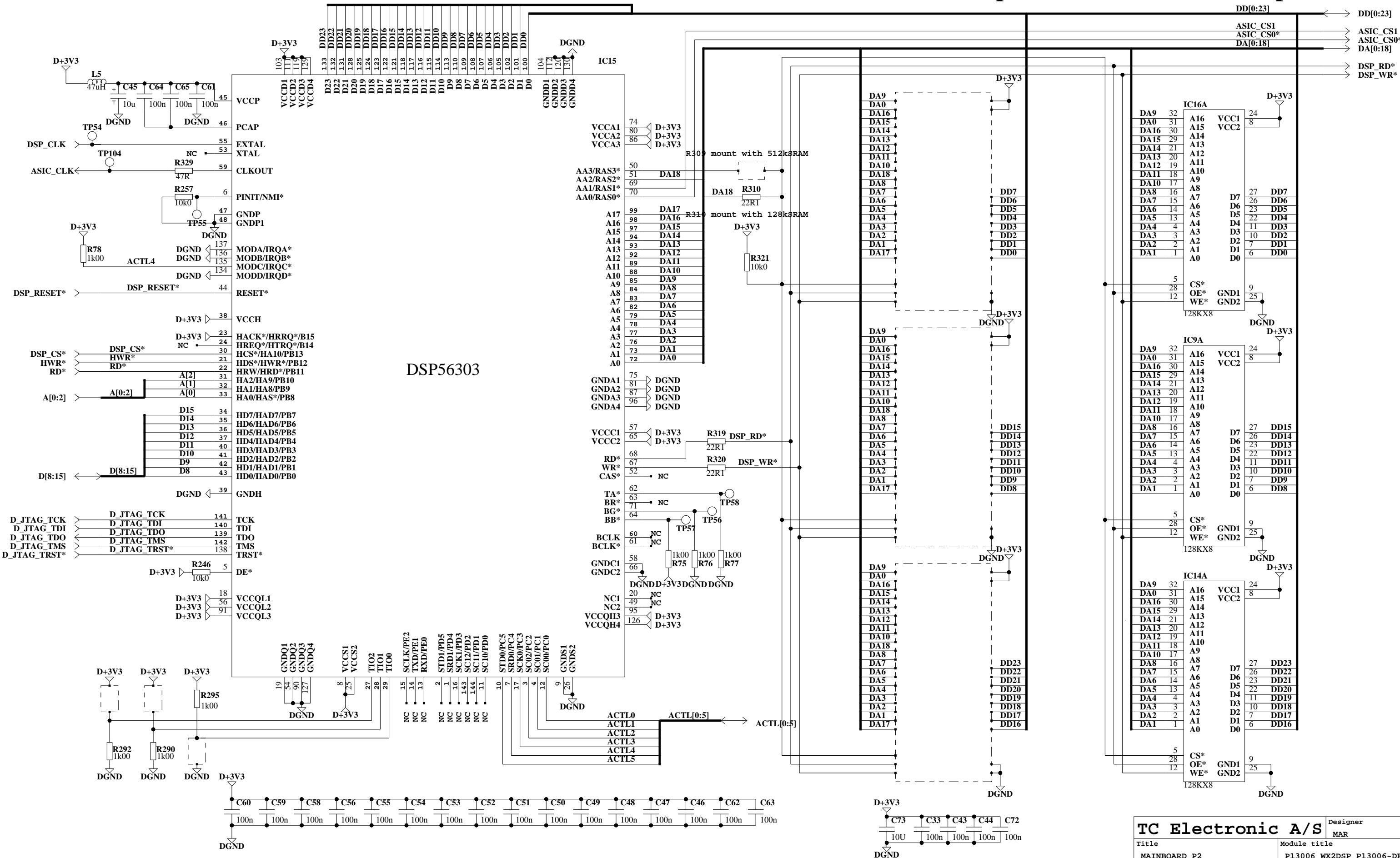
SYNC IN

<b>TC Electronic A/S</b>		Designer MAR
Title MAINBOARD P2		Module title P13006_WX2DGI_P13006-DF_1
Number P13006	Revision DFB	Previous page 1
Date 16-2-2009 19:26	Filename	Page / of 8 / 15

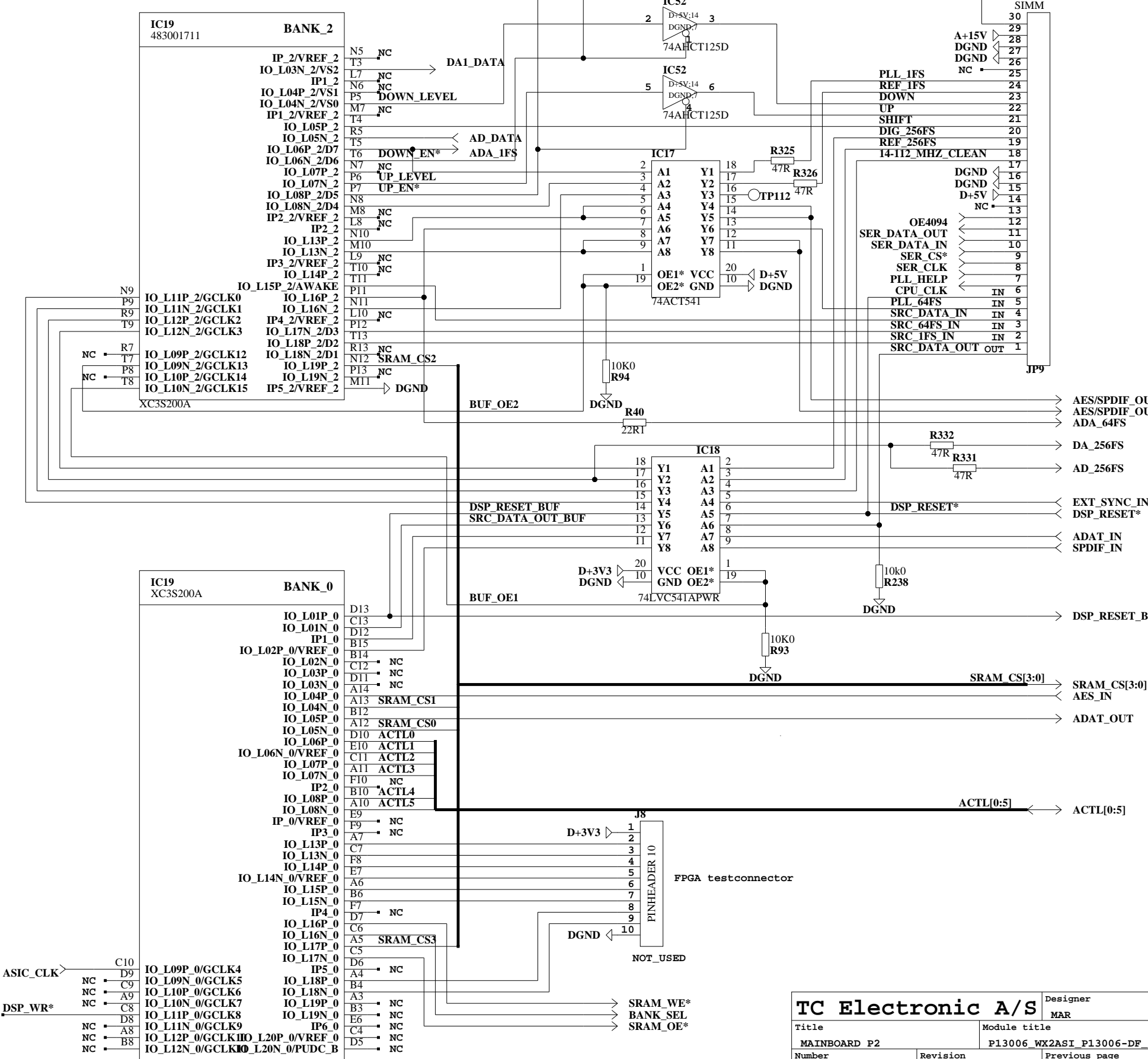
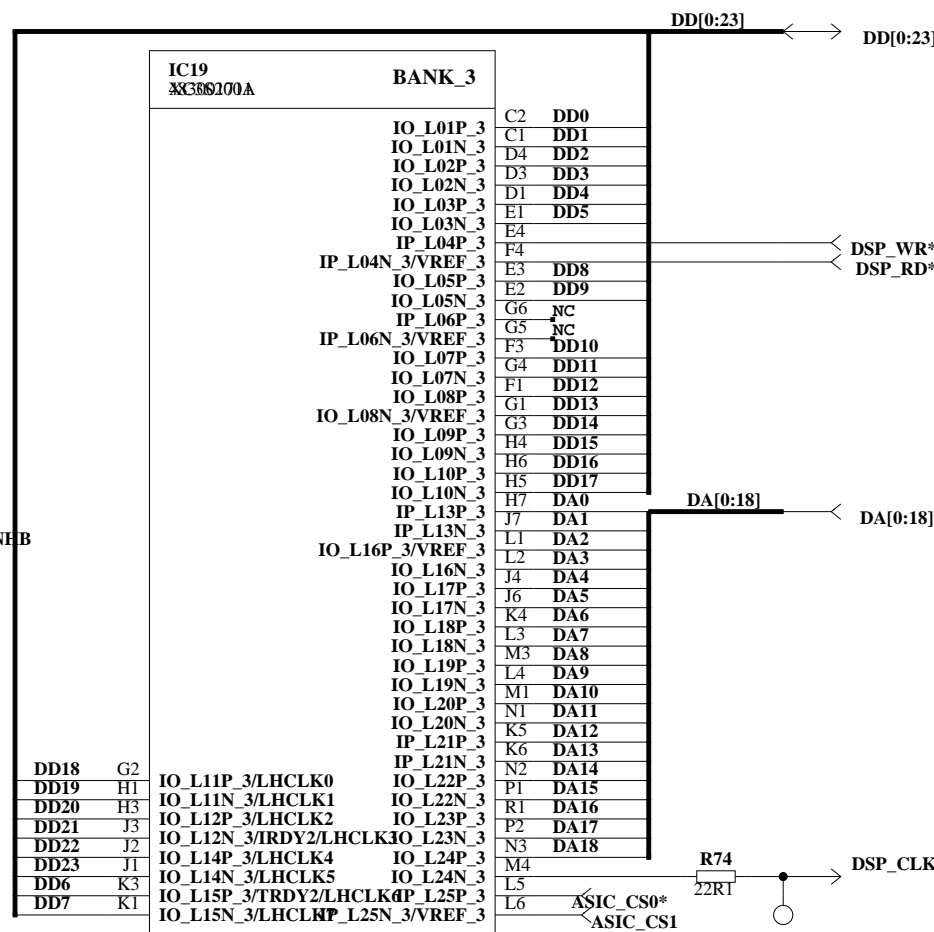
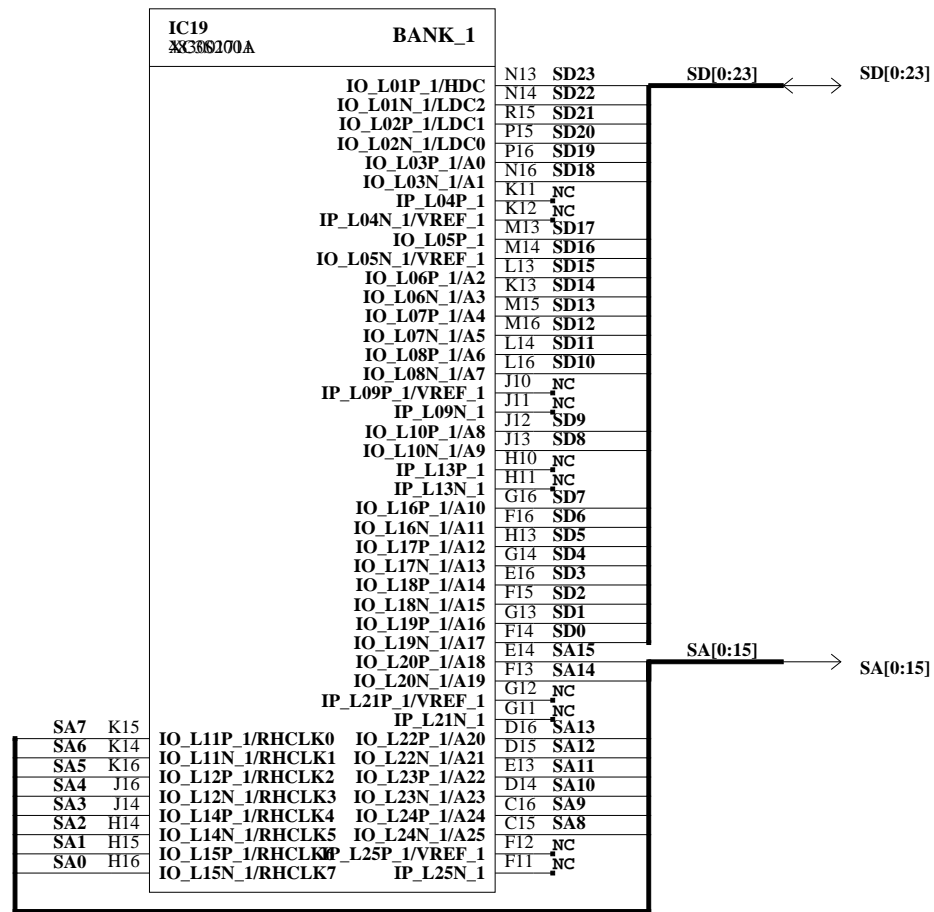


# 512k SRAM option

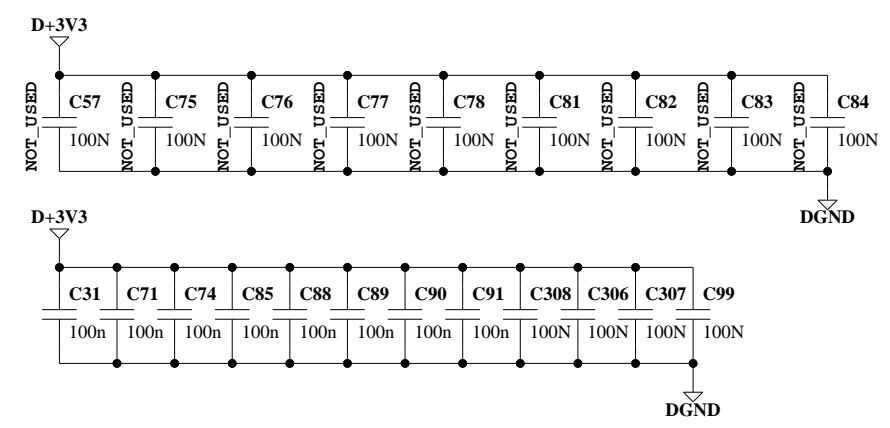
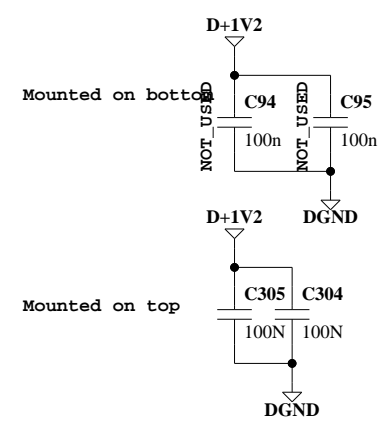
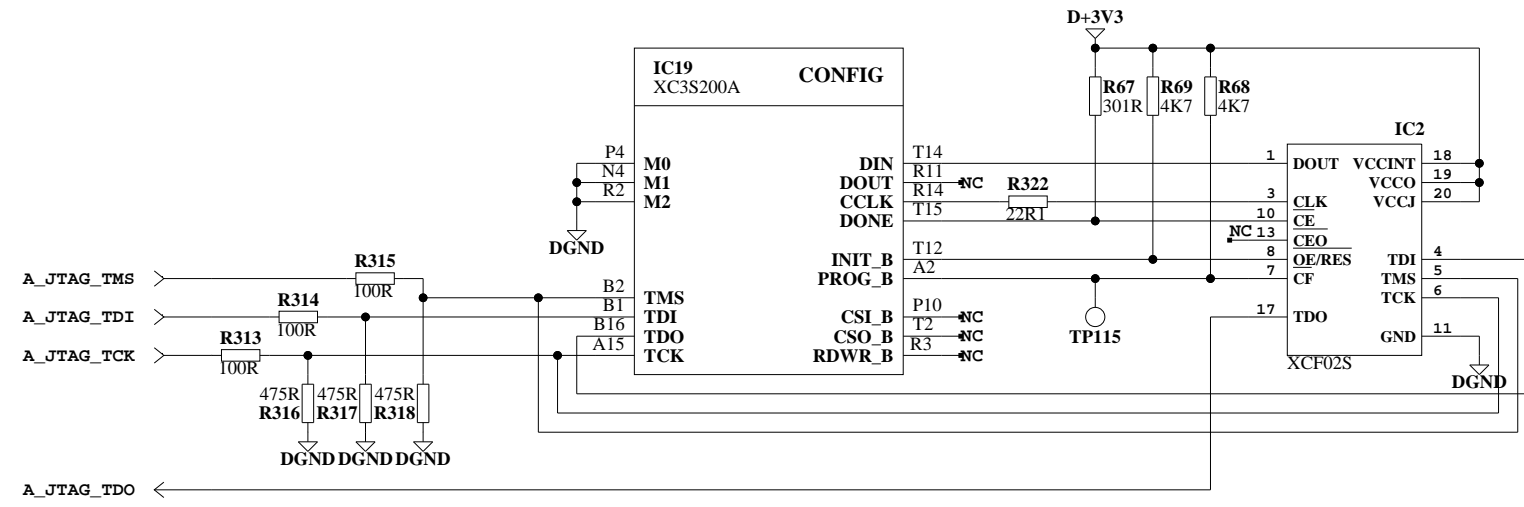
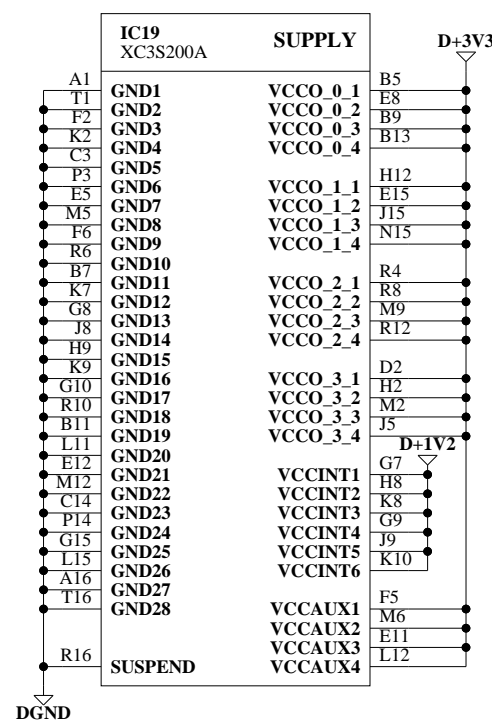
# 128k SRAM option



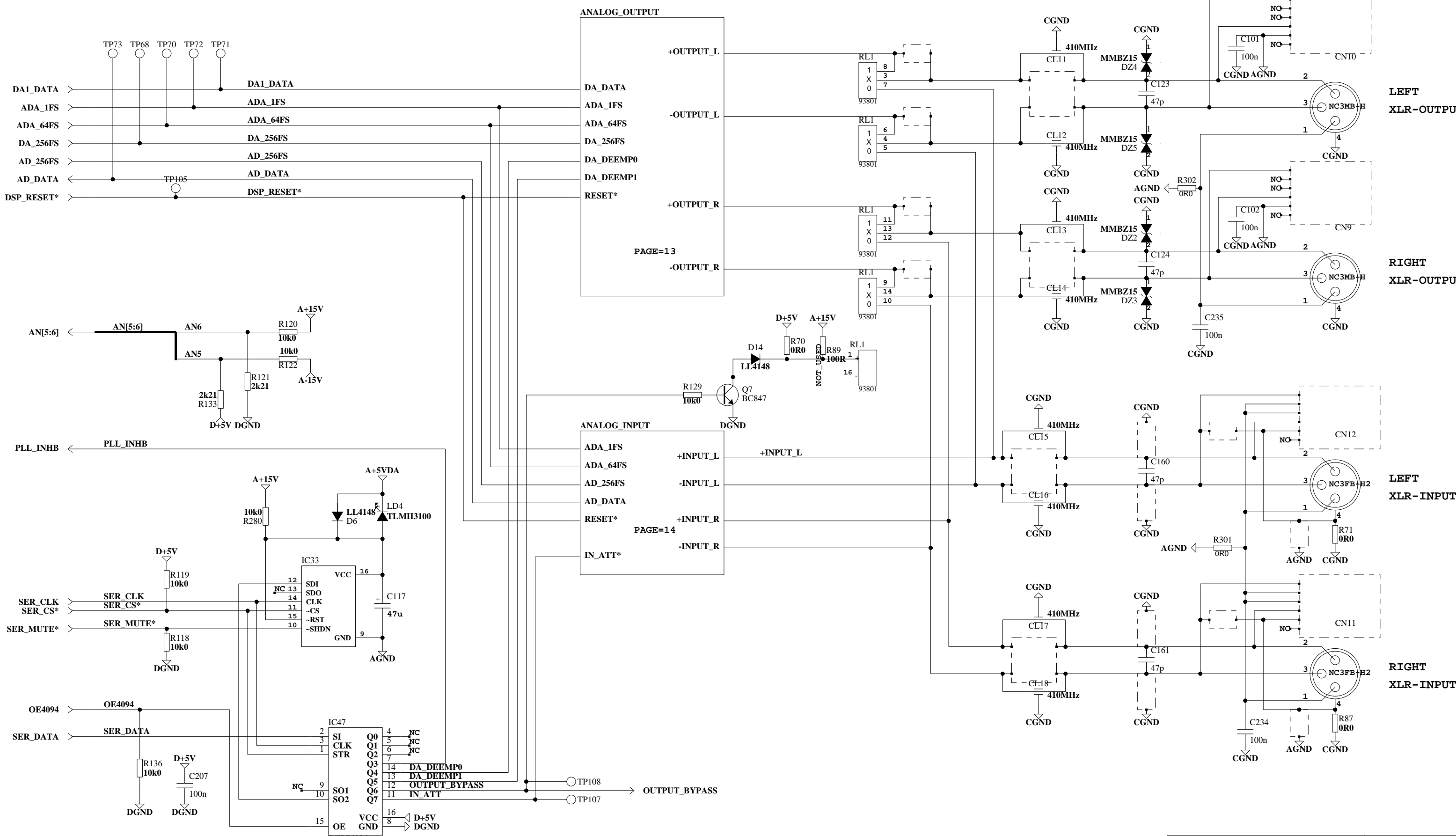
<b>TC Electronic A/S</b>		Designer
Title		MAR
Module title		P13006_WX2DSP_P13006-DF_1
Number	Revision	Previous page
P13006	DFB	1
Date	Filename	Page / of
16-2-2009 19:26		9 / 15



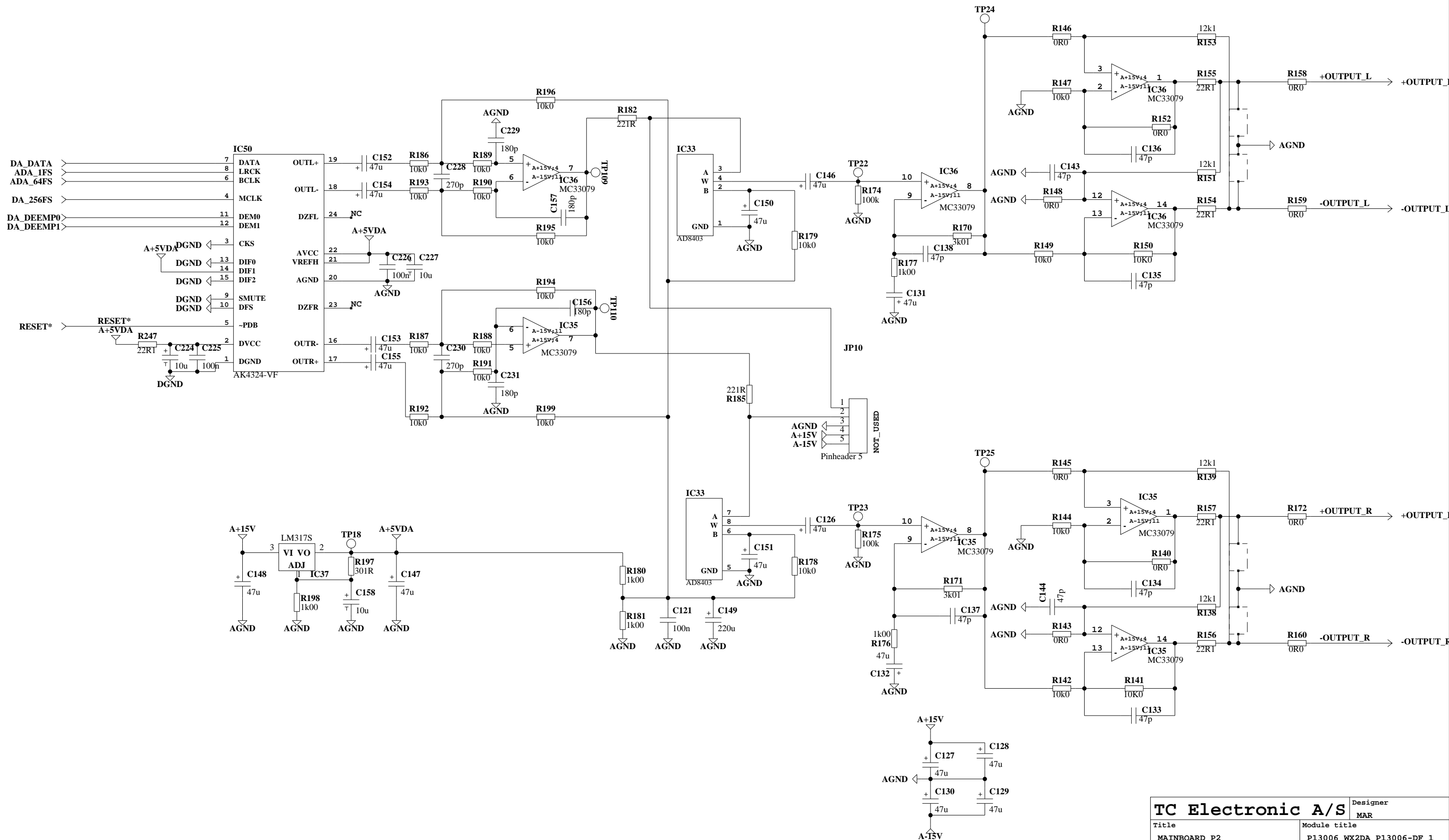
<b>TC Electronic A/S</b>		Designer
MAR		MAR
Title	Module title	
MAINBOARD P2	P13006_WX2ASI_P13006-DF_1	
Number	Revision	Previous page
P13006	DFB	1
Date	Filename	Page / of
16-2-2009 19:26		10 / 15



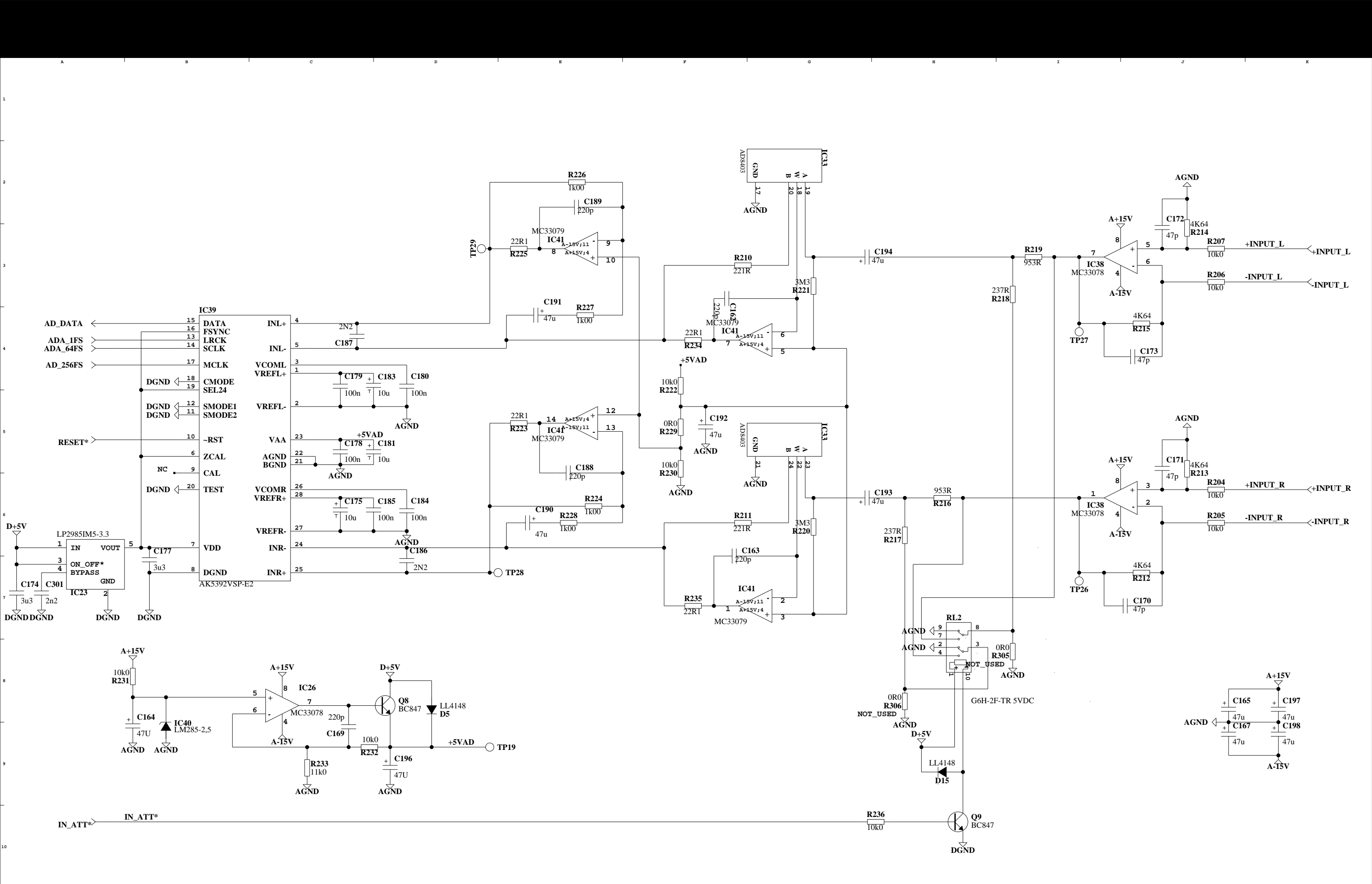
<b>TC Electronic A/S</b>		Designer MAR
Title MAINBOARD P2		Module title P13006 WX2ASI P13006-DF_1
Number P13006	Revision DFB	Previous page 1
Date 16-2-2009 19:26	Filename	Page / of 11 / 15



<b>TC Electronic A/S</b>		Designer MAR
Title MAINBOARD P2		Module title P13006 WX2ADA P13006-DF_1
Number P13006	Revision DFB	Previous page 1
Date 16-2-2009 19:26	Filename	Page / of 12 / 15



<b>TC Electronic A/S</b>		Designer MAR
Title MAINBOARD P2		Module title P13006_WX2DA_P13006-DF_1
Number P13006	Revision DFB	Previous page 1
Date 16-2-2009 19:26	Filename	Page / of 13 / 15



<b>TC Electronic A/S</b>		Designer MAR
Title MAINBOARD P2		Module title P13006_WX2AD_P13006-DF_1
Number P13006	Revision DFB	Previous page 1
Date 16-2-2009 19:26	Filename	Page / of 14 / 15

