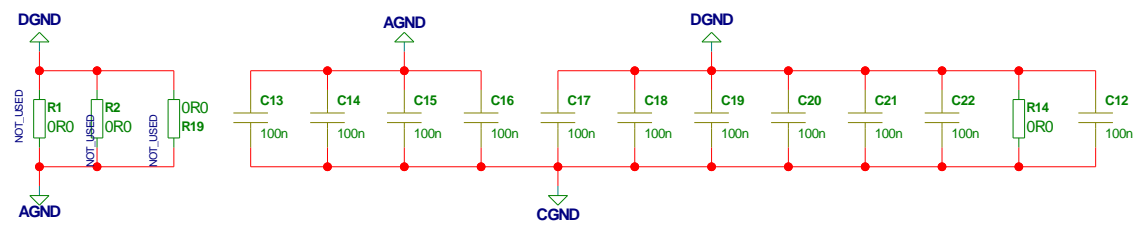
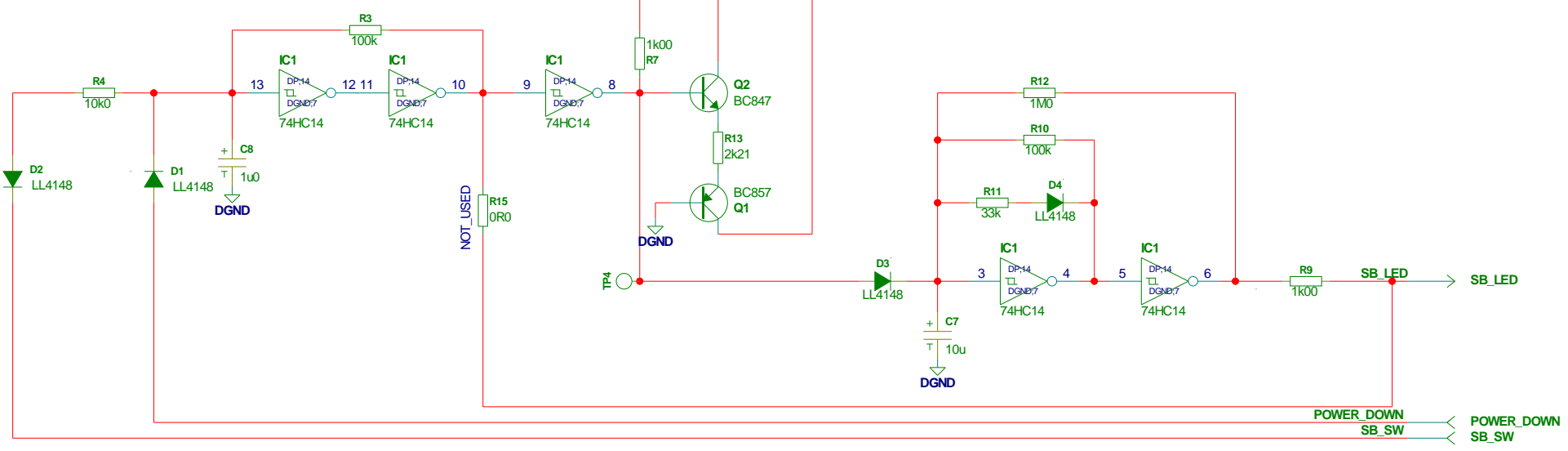
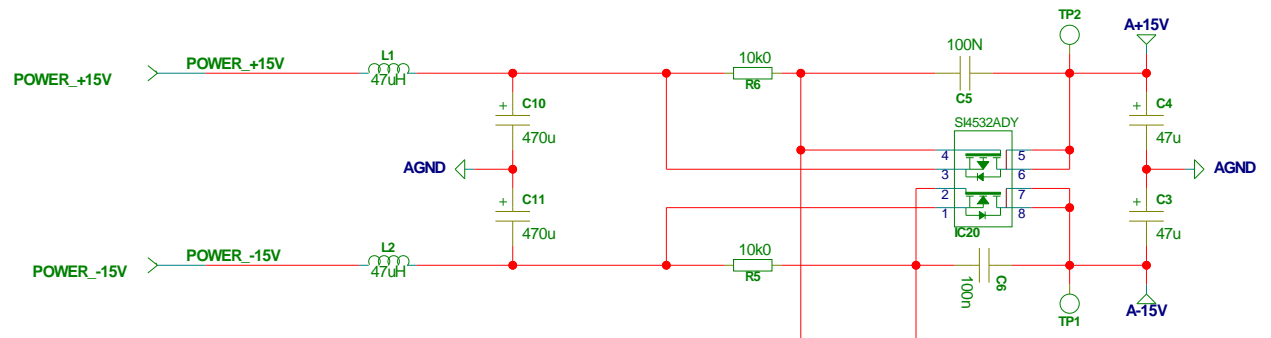
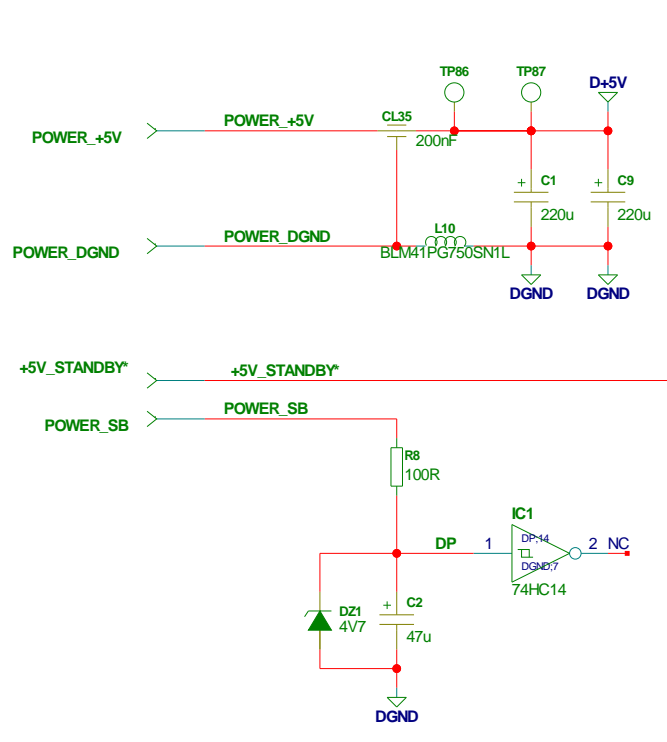
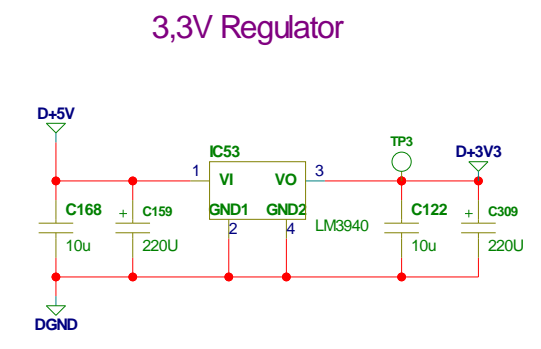
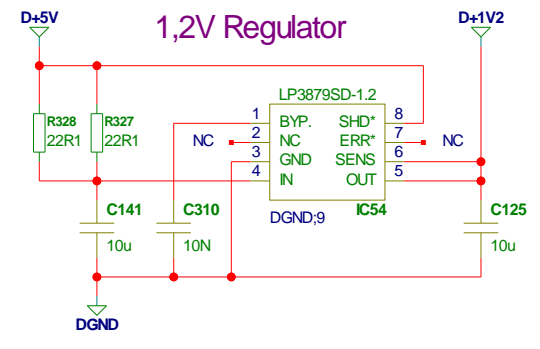
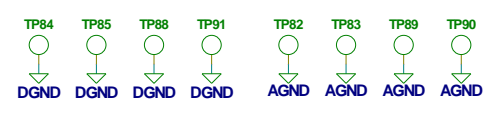
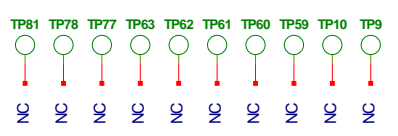


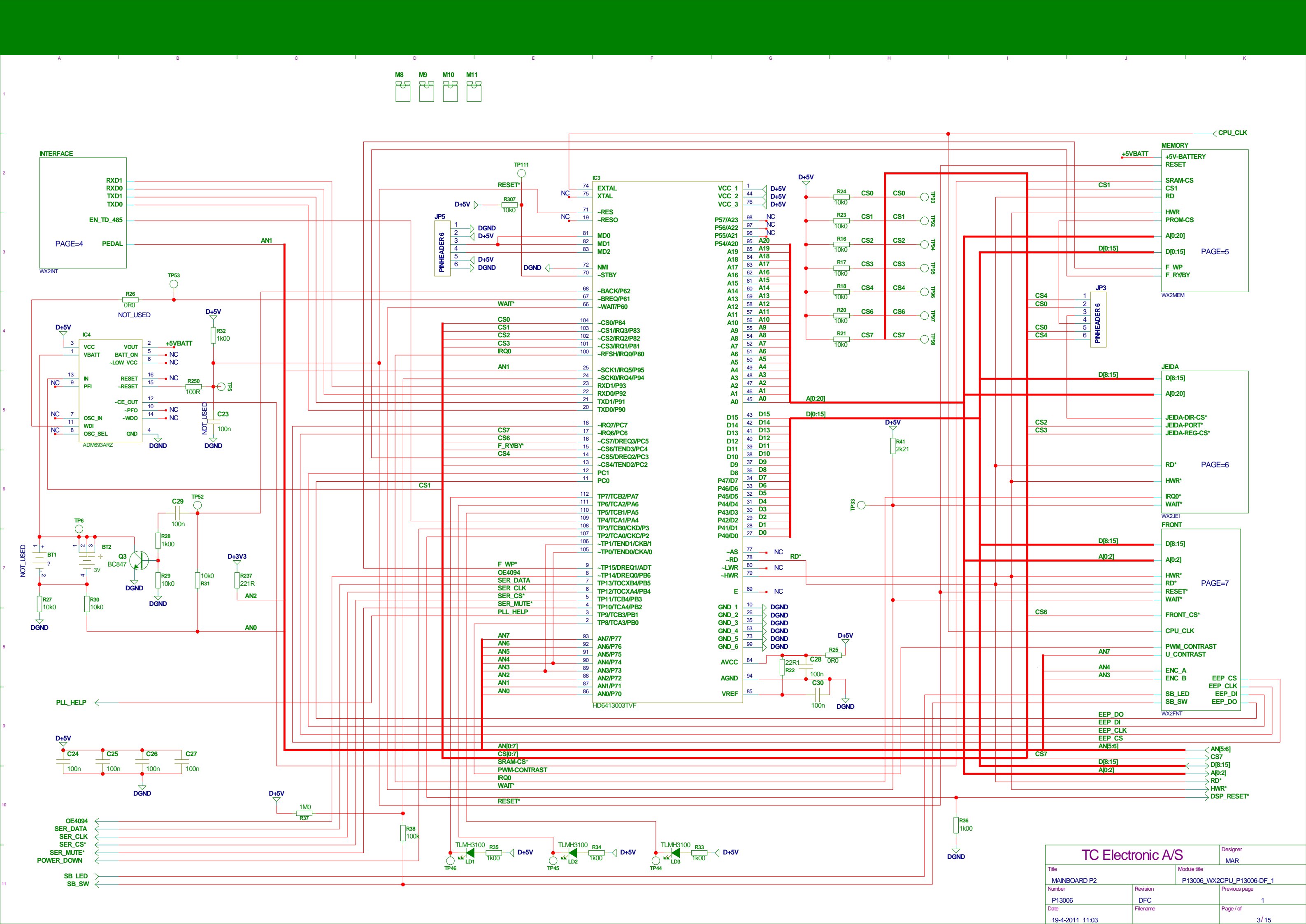
TC Electronic A/S		Designer MAR
Title MAINBOARD P2		Module title P13006-D_P13006-DF
Number P13006	Revision DFC	Previous page 1
Date 19-4-2011_11:24	Filename	Page / of 1 / 15

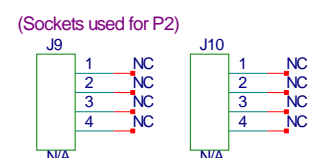
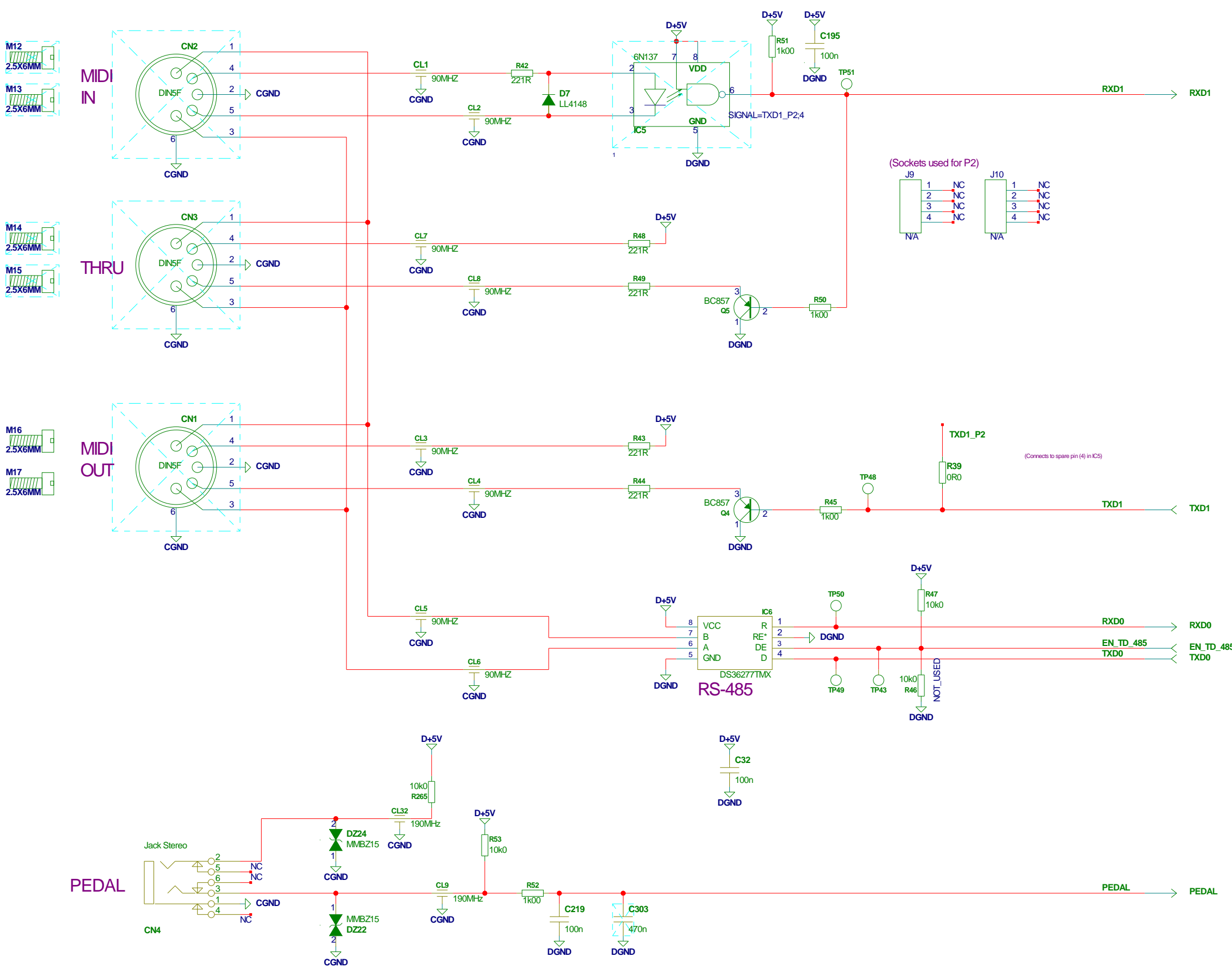


Unused Testpoints



TC Electronic A/S		Designer MAR
Title MAINBOARD P2	Module title P13006_WX2POW_P13006-DF_1	
Number P13006	Revision DFC	Previous page 1
Date 19-4-2011_11:03	Filename P13006_WX2POW_P13006-DF_1	Page / of 2 / 15



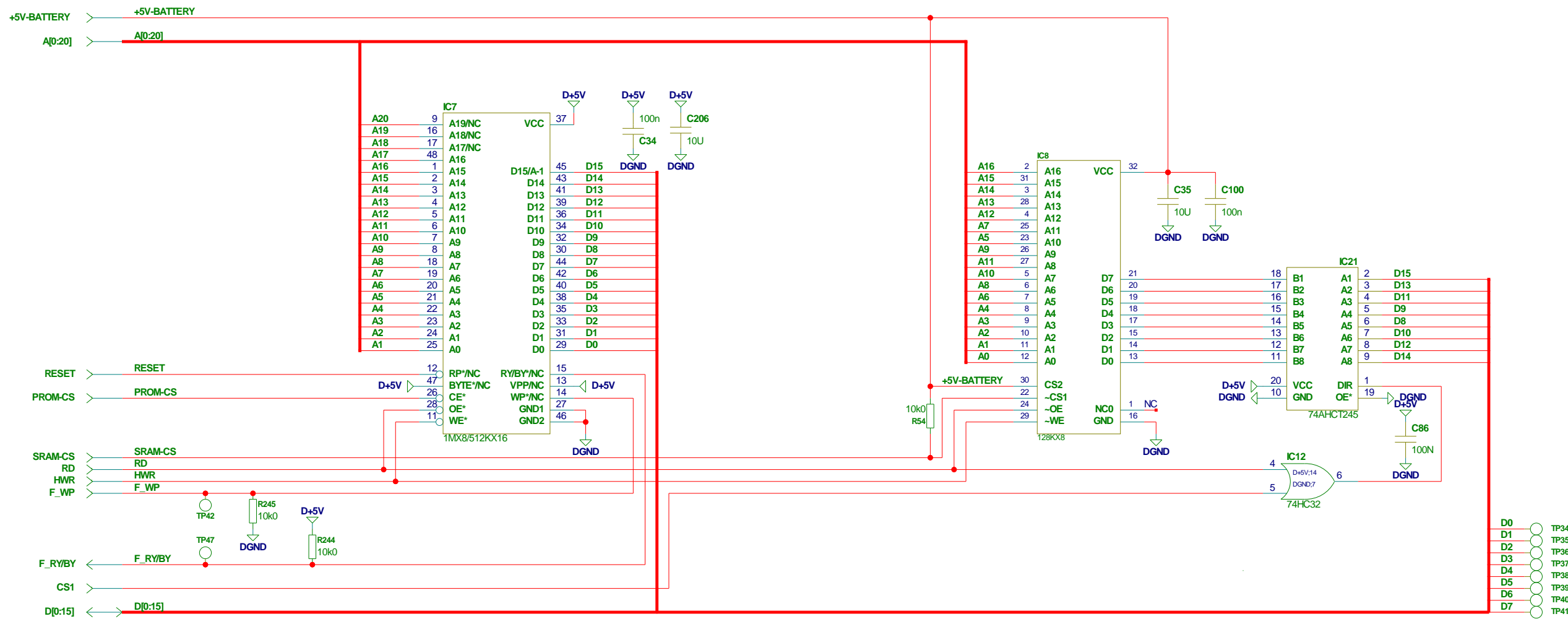


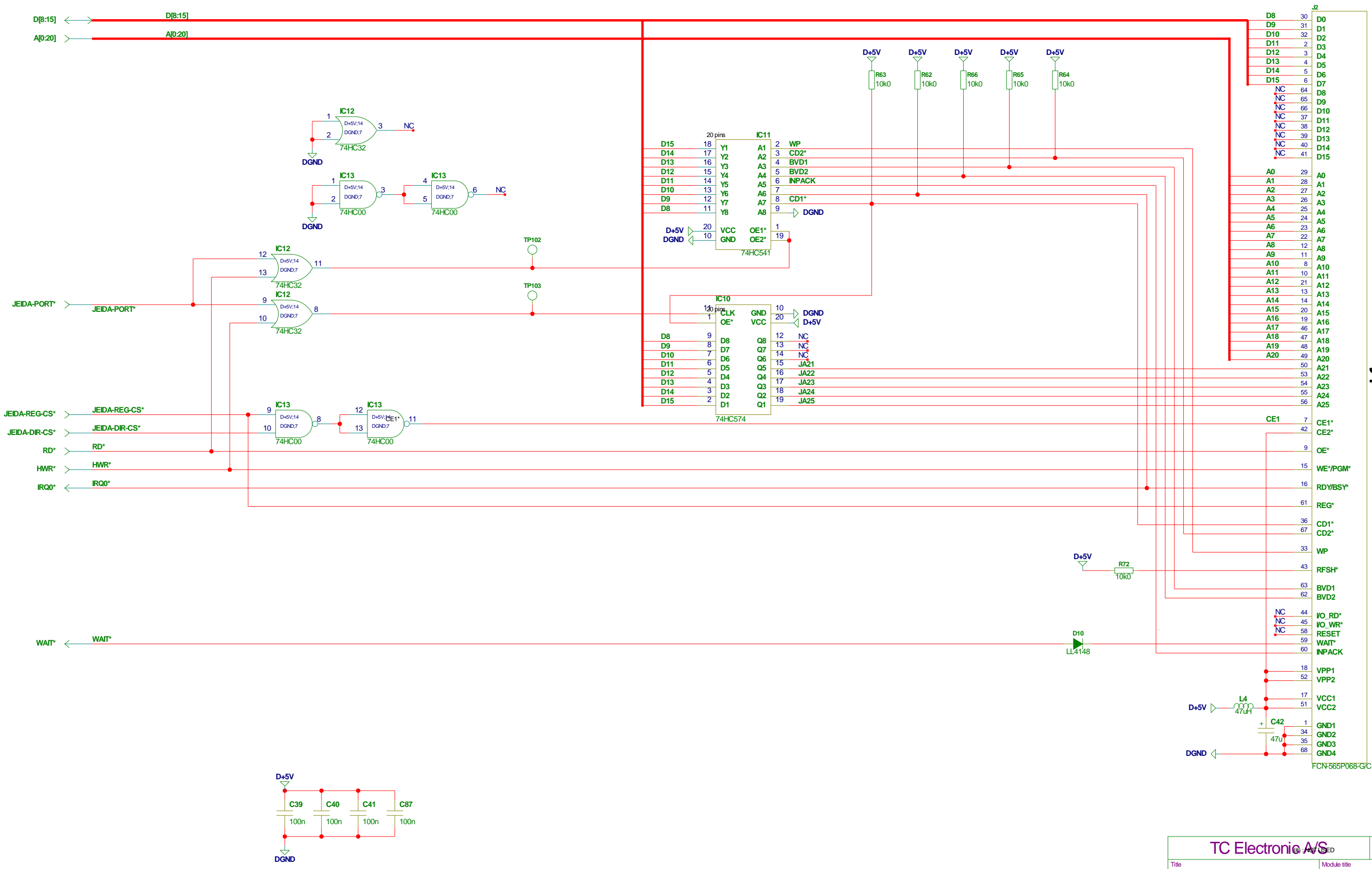
(Connects to spare pin (4) in IC5)

PEDAL

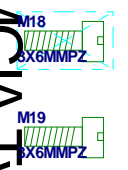
TC Electronic A/S

Title		Module title		Designer	
MAINBOARD P2		P13006_WX2INT_P13006-DF_1		MAR	
Number	Revision	Previous page			
P13006	DFC	3			
Date	Filename	Page / of			
19-4-2011_11:03		4 / 15			



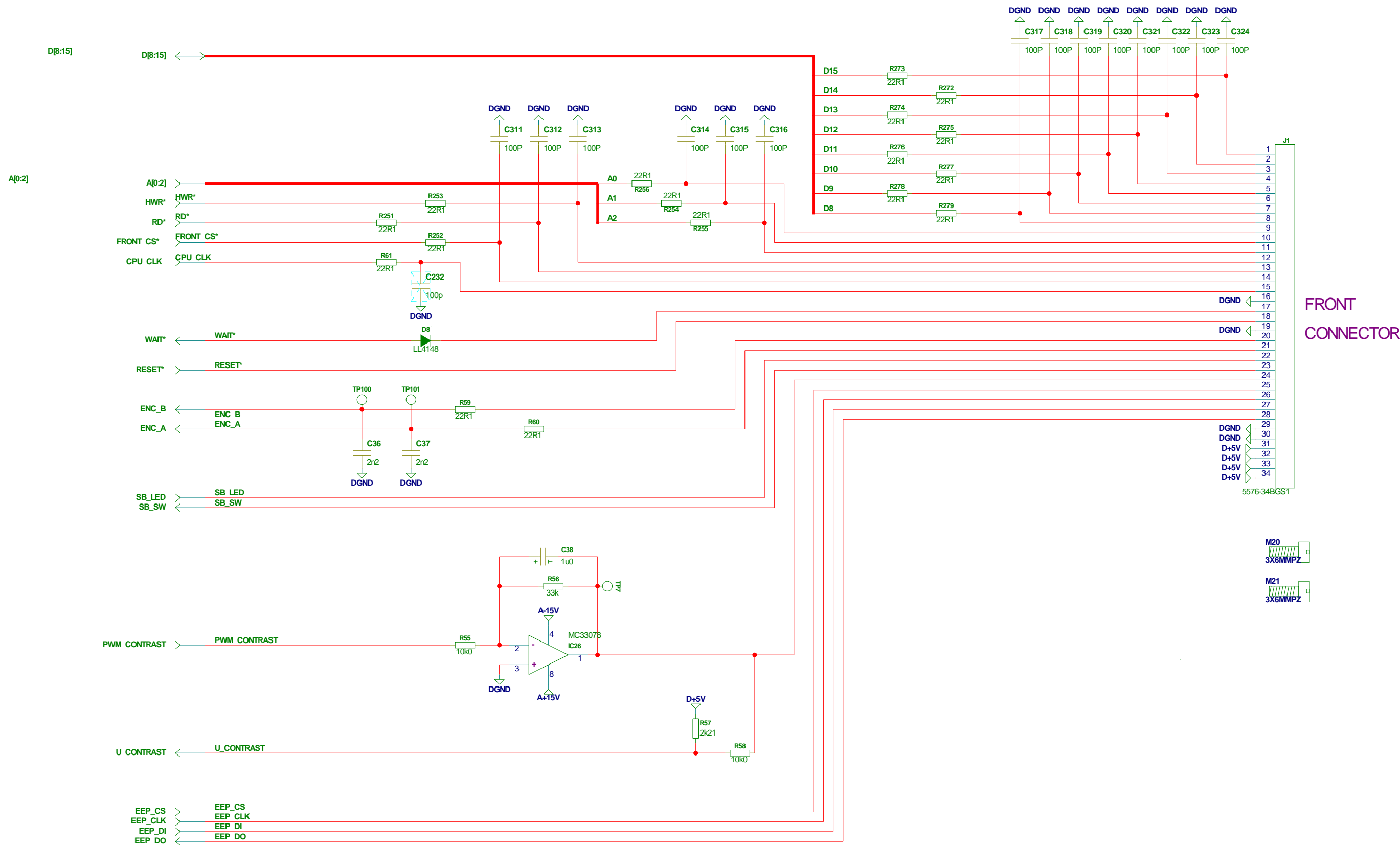


PCMCIA Type I

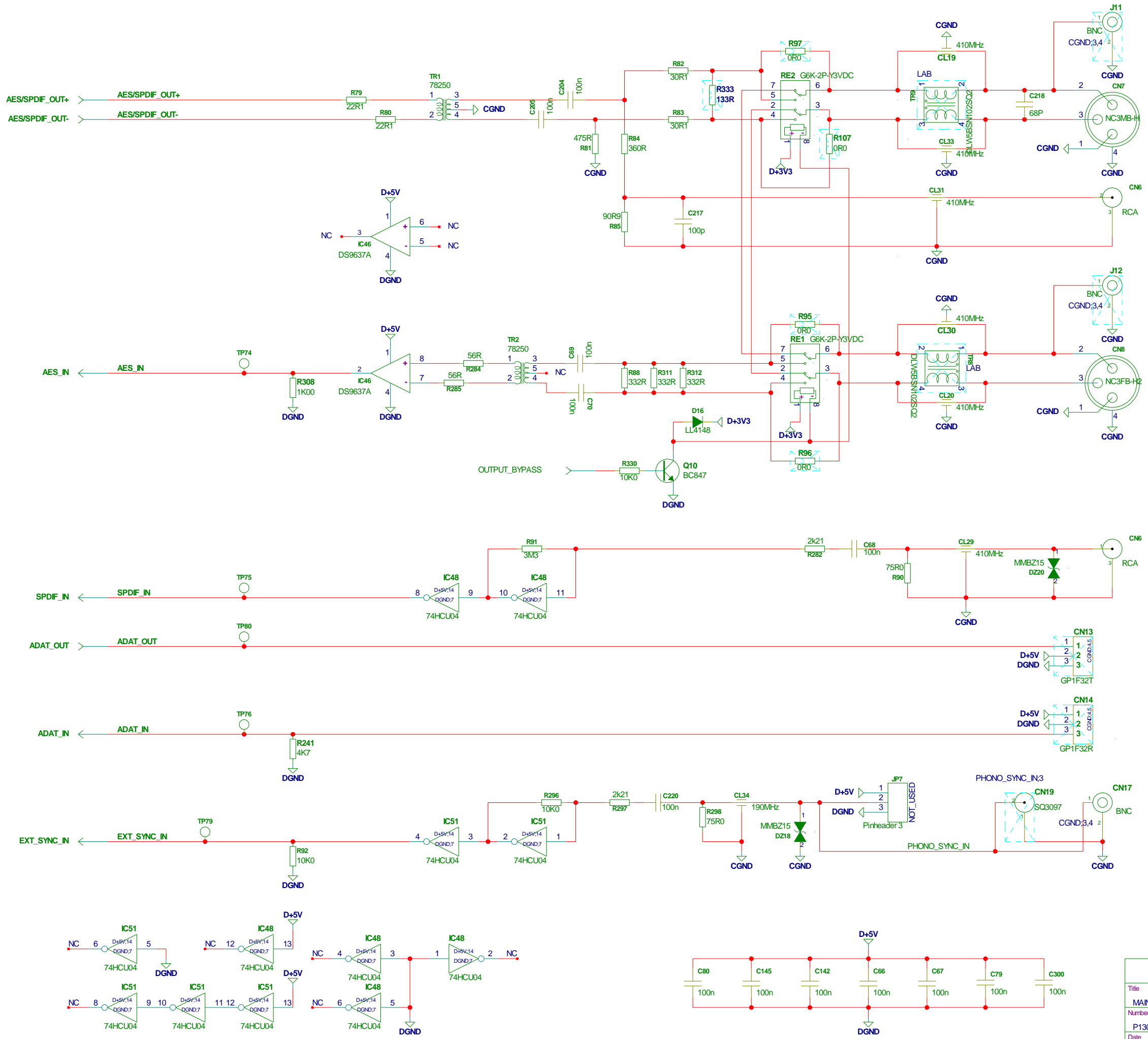


FCN-565P068-GC-V4

TC Electronic AS		Designer MAR
Title MAINBOARD P2		Module title P13006_WX2JEL_P13006-DF_1
Number "DBMX MAIN BOARD" P13006	Revision DFC	Previous page 3
Date 19-4-2011_11:04	Filename	Page / of 6 / 15



TC Electronic A/S		Designer MAR
Title MAINBOARD P2		Module title P13006_WX2FNT_P13006-DF_1
Number P13006	Revision DFC	Previous page 3
Date 19-4-2011_11:04	Filename	Page / of 7 / 15



Optional AES3id
BNC OUT

AES/EBU
XLR OUT

S/PDIF
RCA PHONO OUT

Optional AES3id
BNC IN

AES/EBU
XLR IN

S/PDIF
RCA PHONO IN

ADAT
OPTO OUT

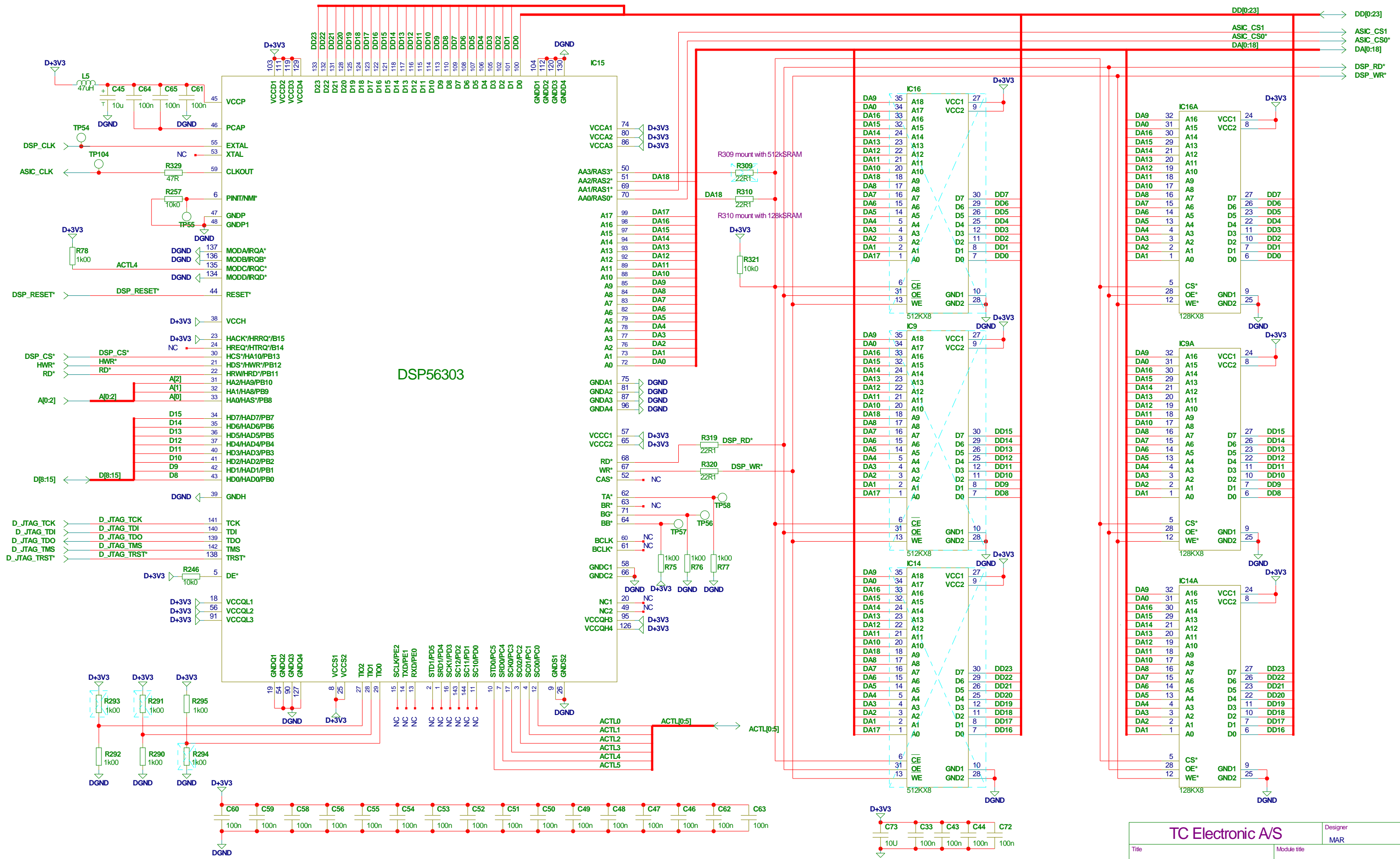
ADAT
OPTO IN

SYNC IN

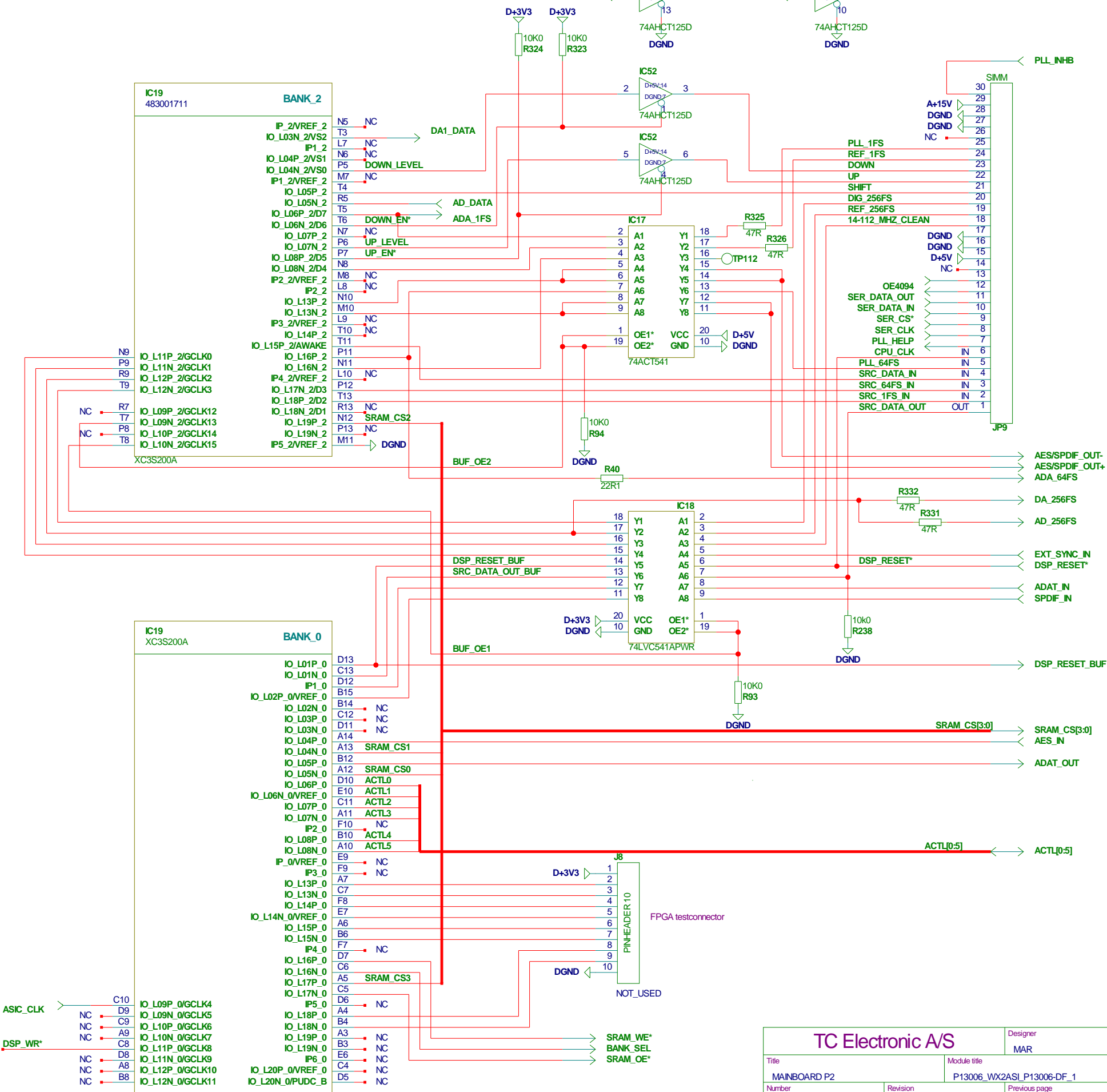
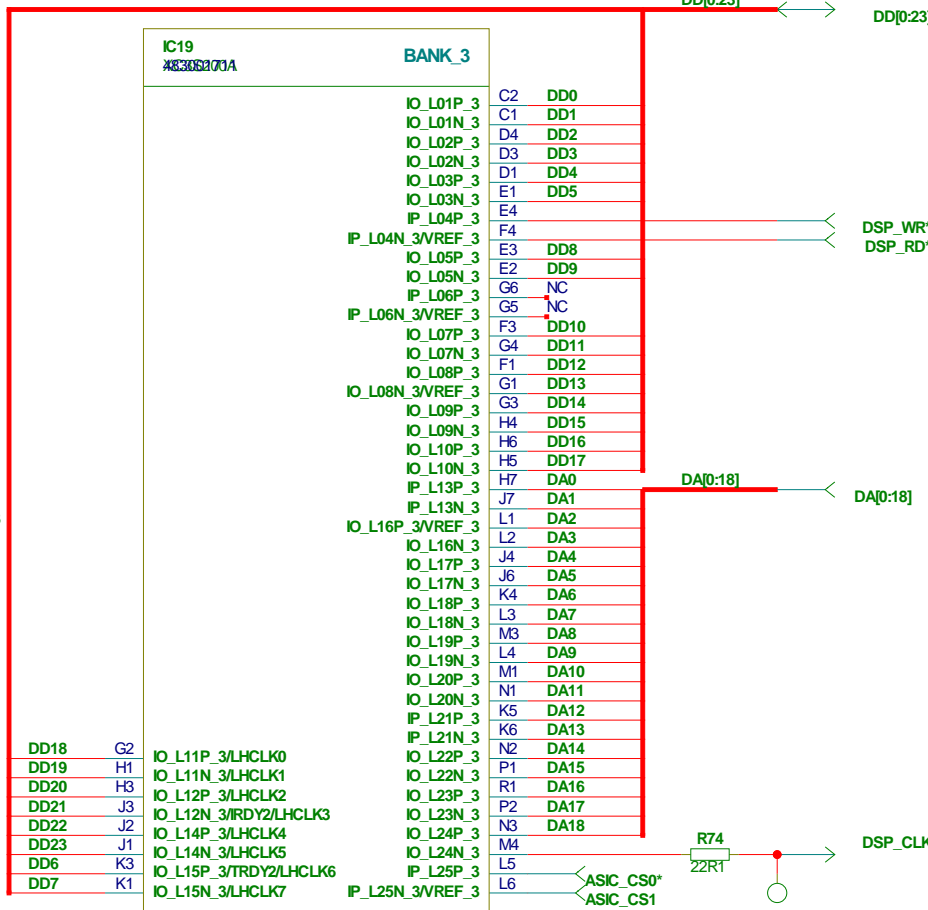
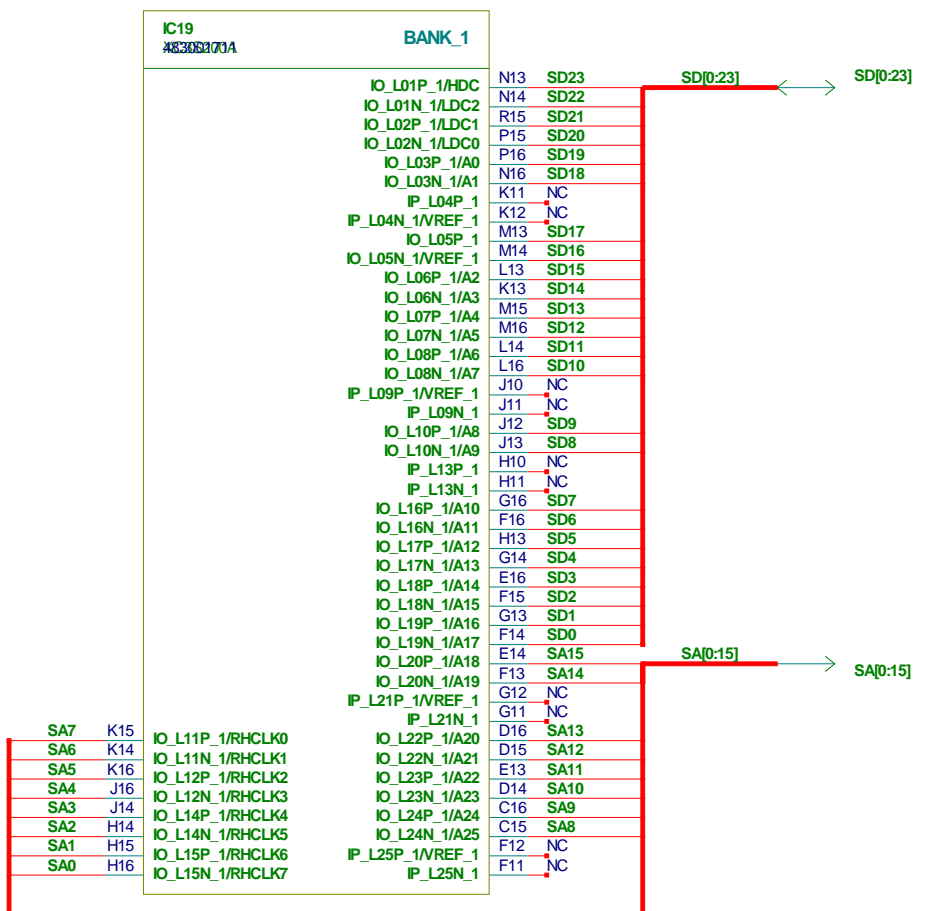
TC Electronic A/S		Designer MAR
Title MAINBOARD P2		Module title P13006_WX2DGL_P13006-DF_1
Number P13006	Revision DFC	Previous page 1
Date 19-4-2011_11:04	Filename	Page / of 8 / 15

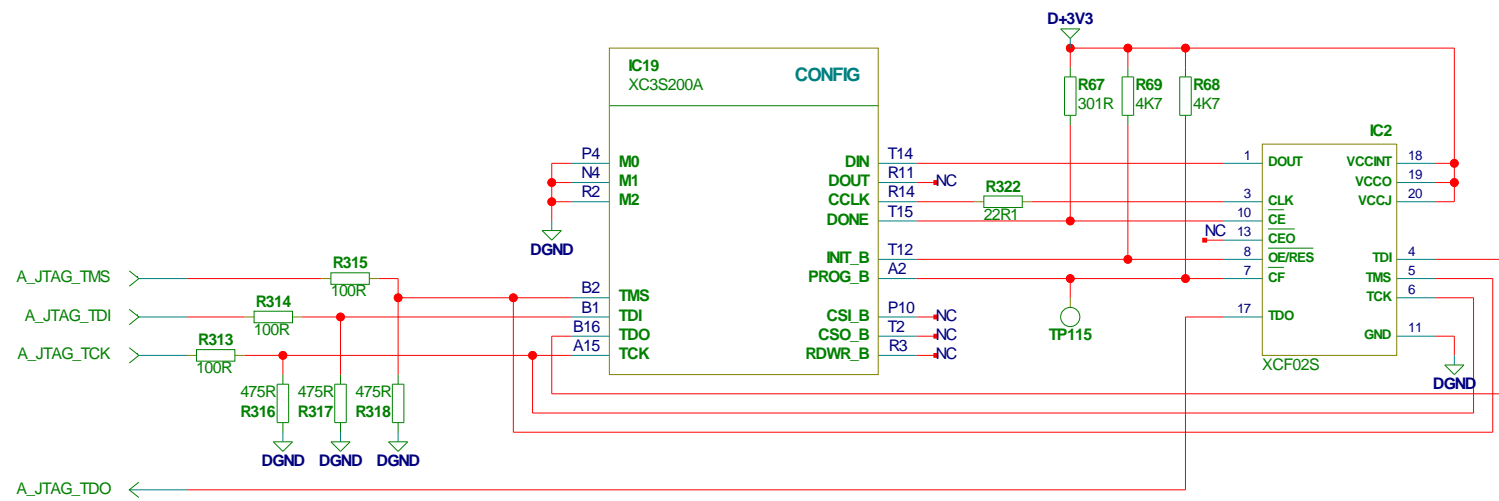
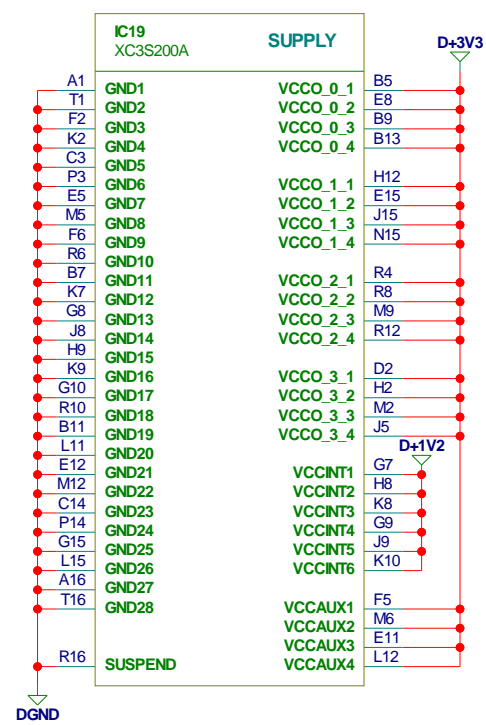
512k SRAM option

128k SRAM option

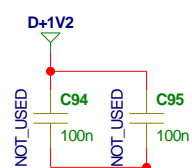


TC Electronic A/S		Designer	MAR
Title		Module title	
MAINBOARD P2		P13006_WX2DSP_P13006-DF_1	
Number	Revision	DFC	Previous page
P13006	DFC		1
Date	Filename	Page / of	
19-4-2011_11:05		9 / 15	

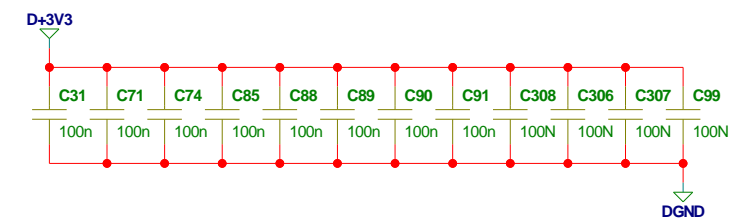
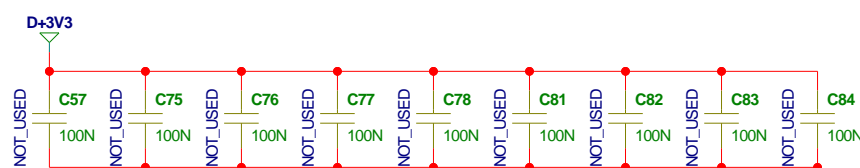
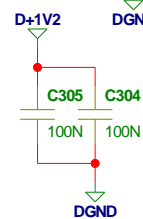




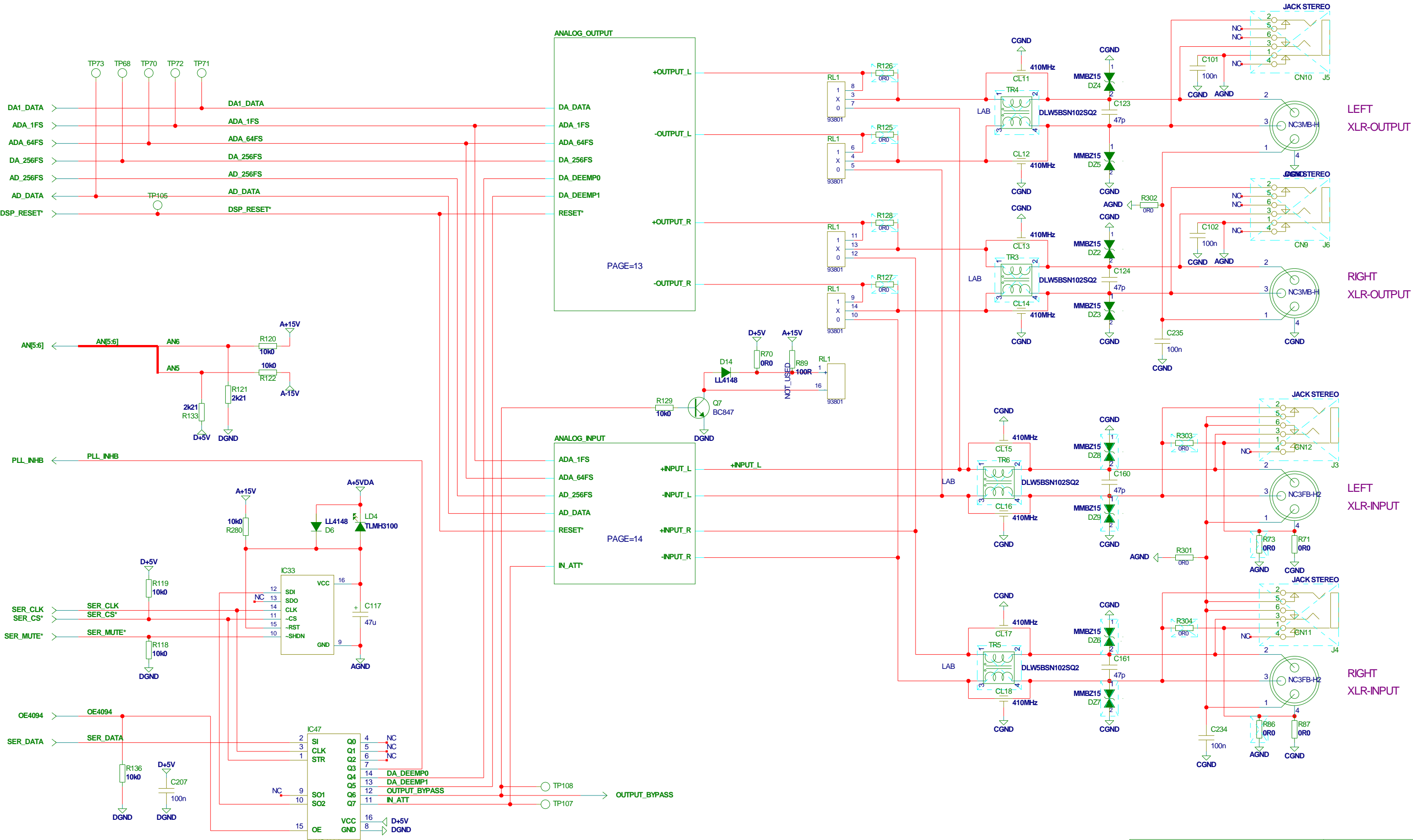
Mounted on bottom



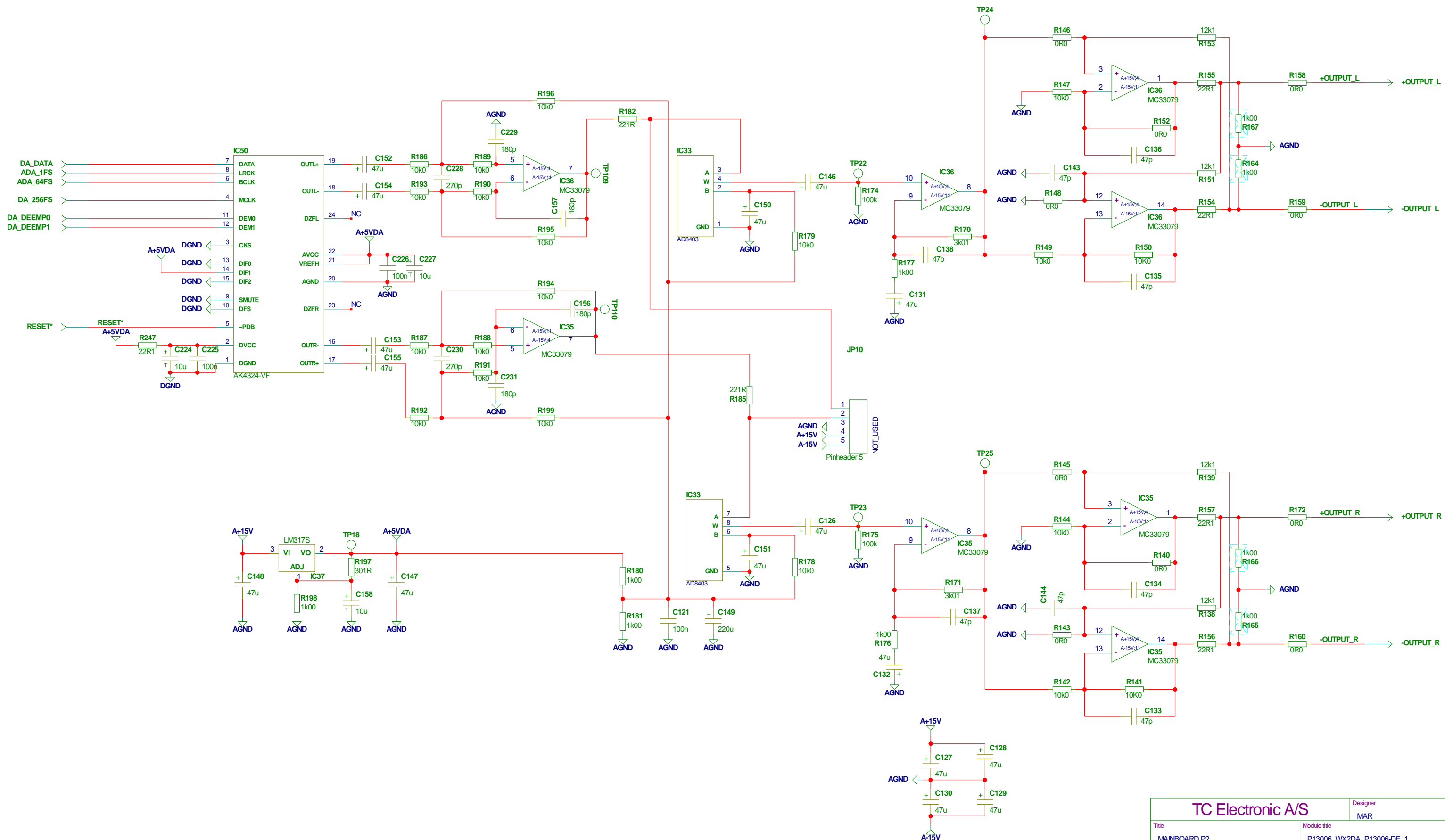
Mounted on top



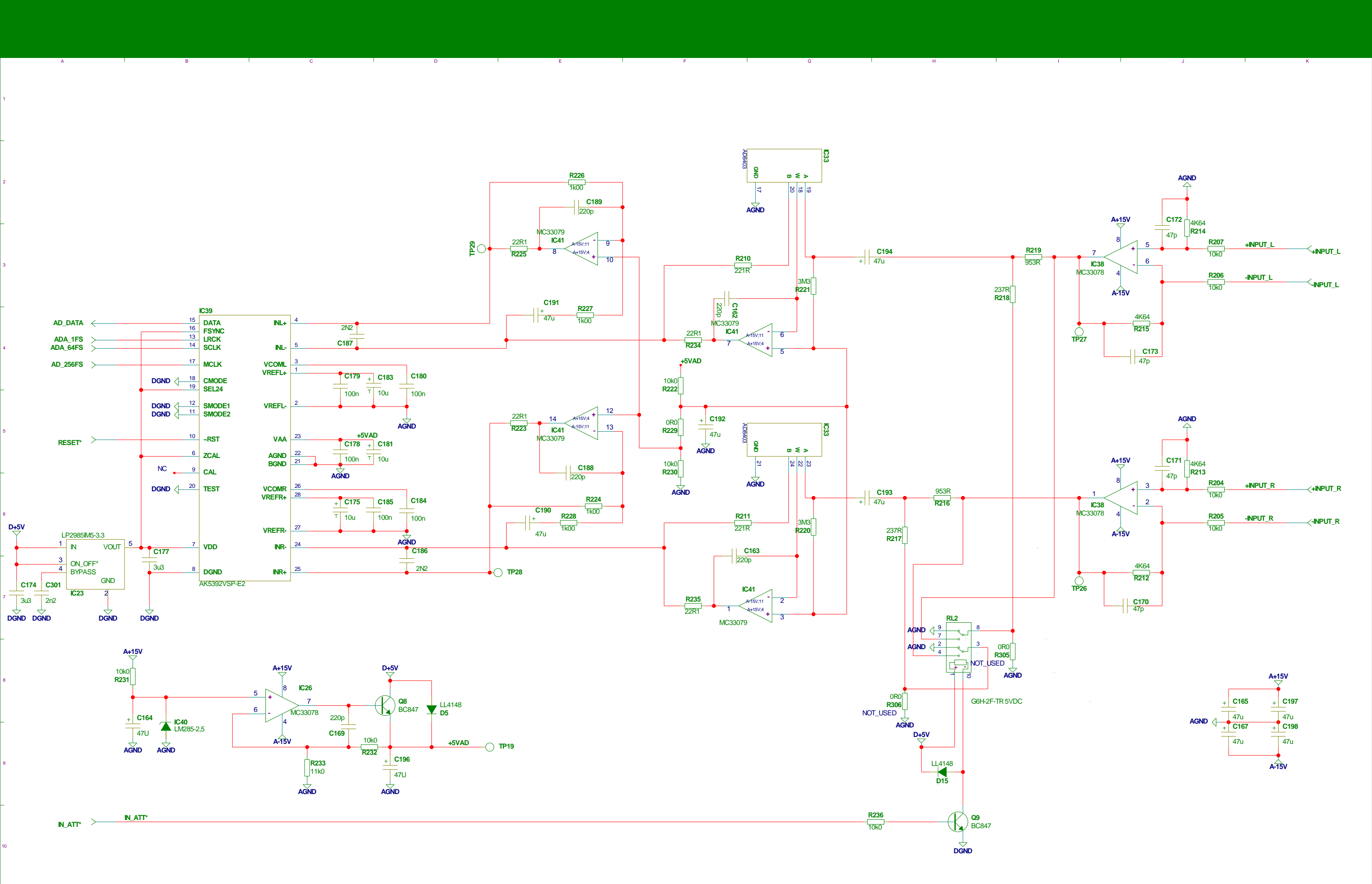
TC Electronic A/S		Designer MAR
Title MAINBOARD P2		Module title P13006_WX2ASI_P13006-DF_1
Number P13006	Revision DFC	Previous page 1
Date 19-4-2011_11:05	Filename	Page / of 11 / 15



TC Electronic A/S		Designer MAR
Title MAINBOARD P2	Module title P13006_WX2ADA_P13006-DF_1	
Number P13006	Revision DFC	Previous page 1
Date 19-4-2011_11:05	Filename	Page / of 12 / 15



TC Electronic A/S		Designer
Title		MAR
MAINBOARD P2		Module title
P13006		P13006_WX2DA_P13006-DF_1
Number	Revision	Previous page
P13006	DFC	12
Date	Filename	Page / of
19-4-2011_11:06		13 / 15



TC Electronic A/S		Designer MAR
Title MAINBOARD P2		Module title P13006_WX2AD_P13006-DF_1
Number P13006	Revision DFC	Previous page 12
Date 19-4-2011_11:06	Filename	Page / of 14 / 15

