

M3  
P12551\_B

M1  
8996-04-100B

M14  
8996-08-100B

M5  
R2075-0C SPACER PLASTIC BLACK

M9  
R2075-0C SPACER PLASTIC BLACK

M10  
8996-08-100B

M13  
8996-08-100B

M2  
R2075-0C SPACER PLASTIC BLACK

M8  
R2075-0C SPACER PLASTIC BLACK

M11  
8996-08-100B

M12  
8996-08-100B

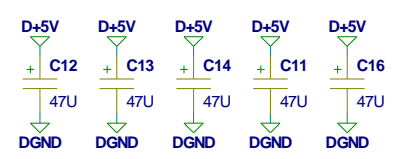
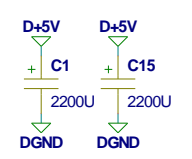
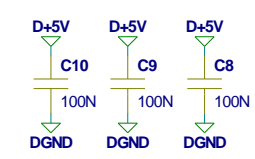
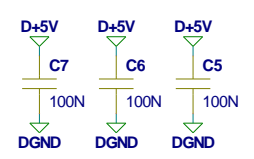
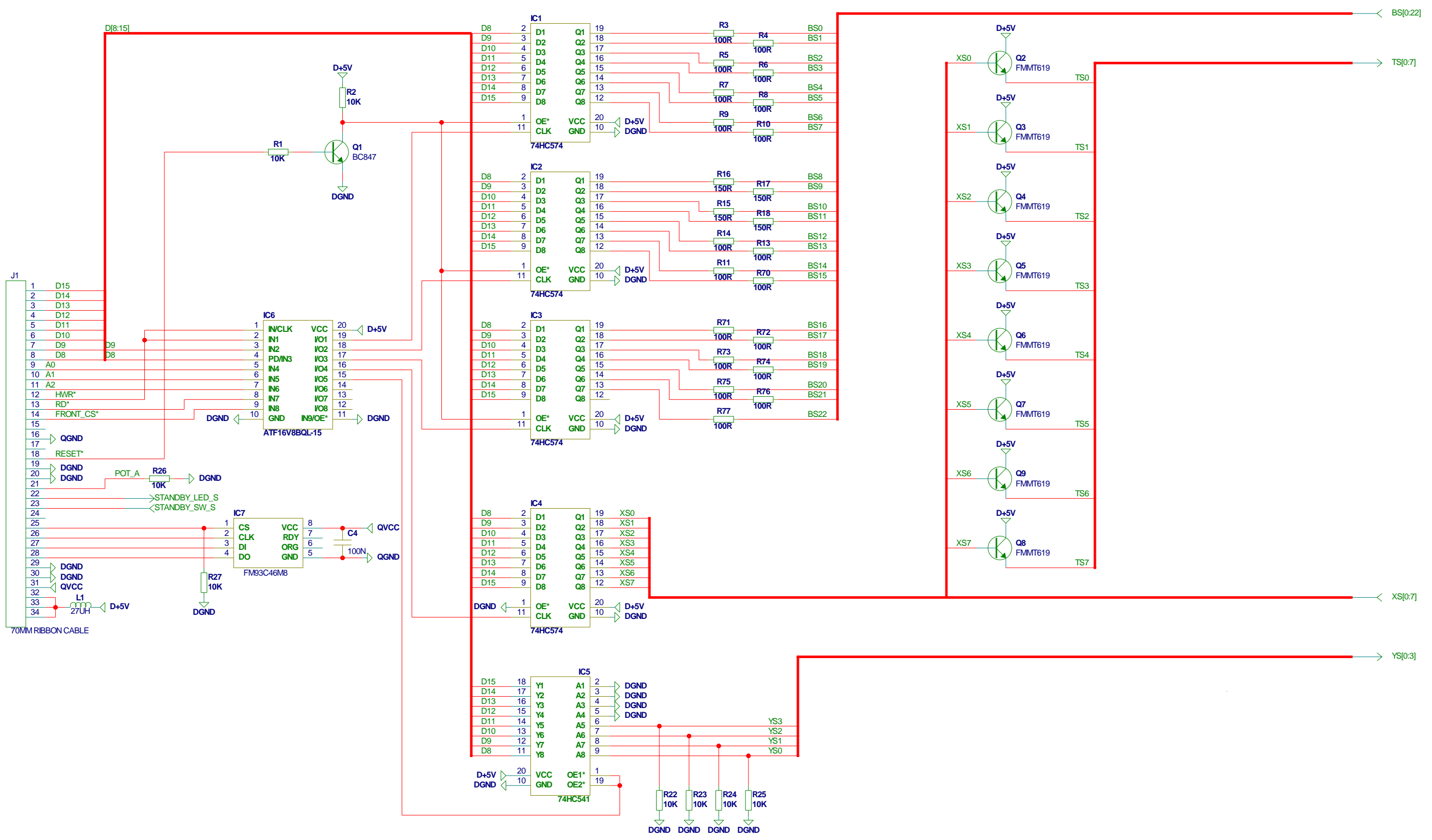
M4  
R2075-0C SPACER PLASTIC BLACK

M7  
R2075-0C SPACER PLASTIC BLACK

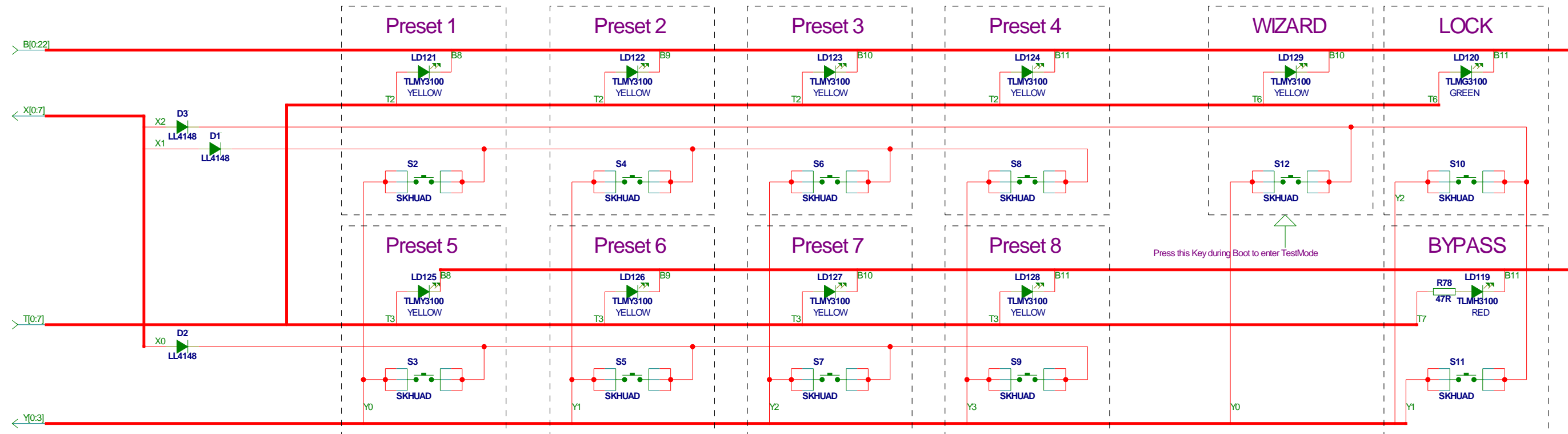
B[0:22]  
 T[0:7]



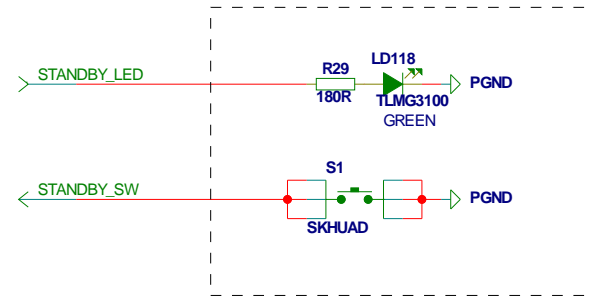
<b>TC Electronic A/S</b>		Designer HJE
Title P2 FRONT		Module title LED MATRIX SECTION
Number P12511_B	Revision VER_BAD	Previous page 1
Date 10-15-2002_15:07	Filename LED_MATRIX	Page / of 2 / 5

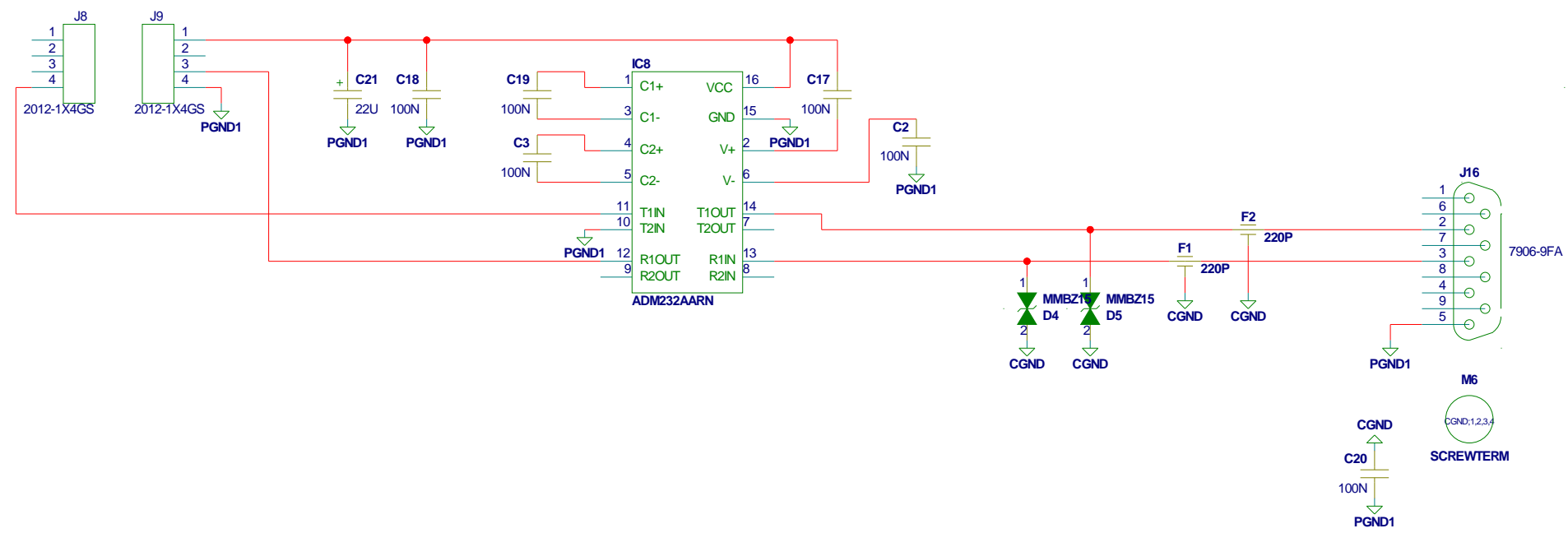


<b>TC Electronic A/S</b>		Designer HJE
Title P2 FRONT		Module title SCAN_CHAIN_SECTION
Number P12511_B	Revision VER_BAD	Previous page 2
Date 10-15-2002_15:07	Filename SCAN_CHAIN	Page / of 3 / 5



### STANDBY LED+SW





<b>TC Electronic A/S</b>		Designer HJE
Title P2 FRONT		Module title SERIAL_OUT
Number P12511_B	Revision VER_BAD	Previous page 4
Date 10-15-2002_15:07	Filename SERIAL_OUT	Page / of 5 / 5