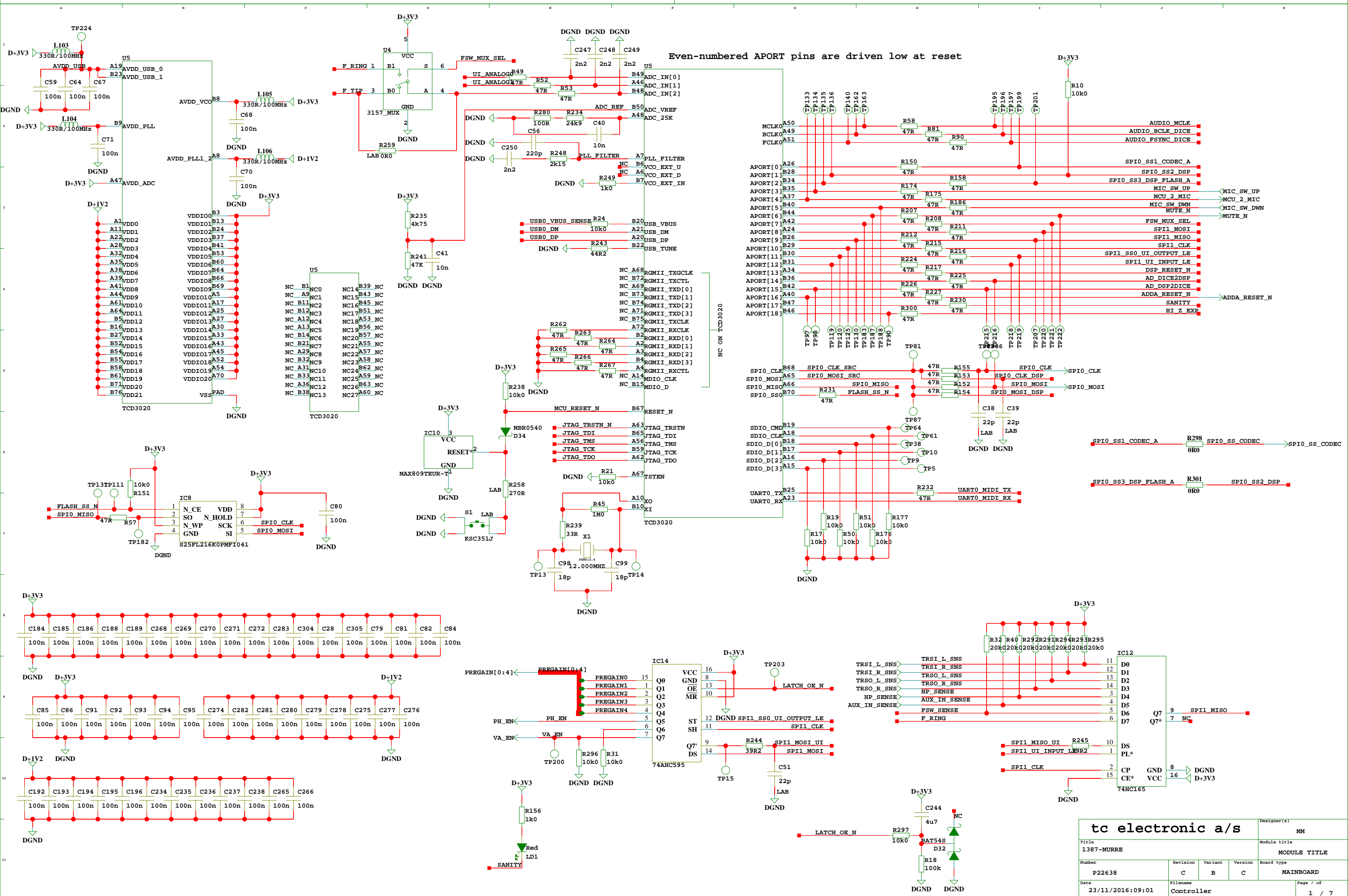


M1  
P22638-C

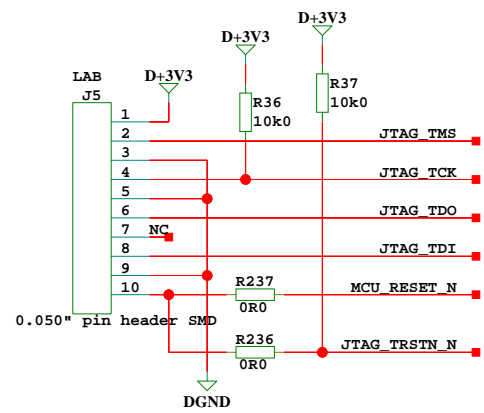
tc electronic a/s				Designer(s)	MM
1387-MURRE				Module title	MODULE TITLE
Number	Revision	Variant	Version	Board type	
P22638	C	B	C	MAINBOARD	
Date	Filename			Page / of	
23/11/2016:09:01	P22632-B			1 / 7	



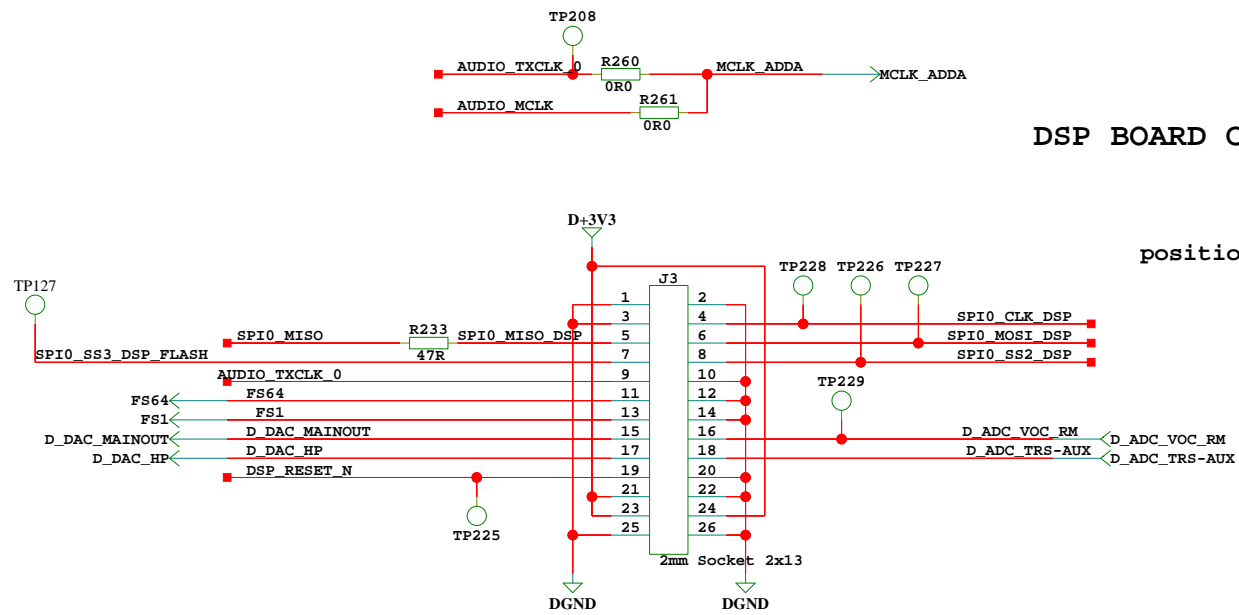
Even-numbered APORT pins are driven low at reset

tc electronic a/s				Designer(s)	MM
Title 1387-MURRE				Module title MODULE TITLE	
Number P22638	Revision C	Variant B	Version C	Board type MAINBOARD	
Date 23/11/2016:09:01	Filename Controller			Page / of 1 / 7	

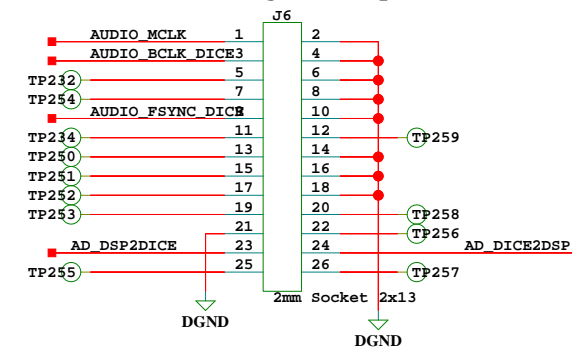
### MCU DEBUG/PROG HEADER



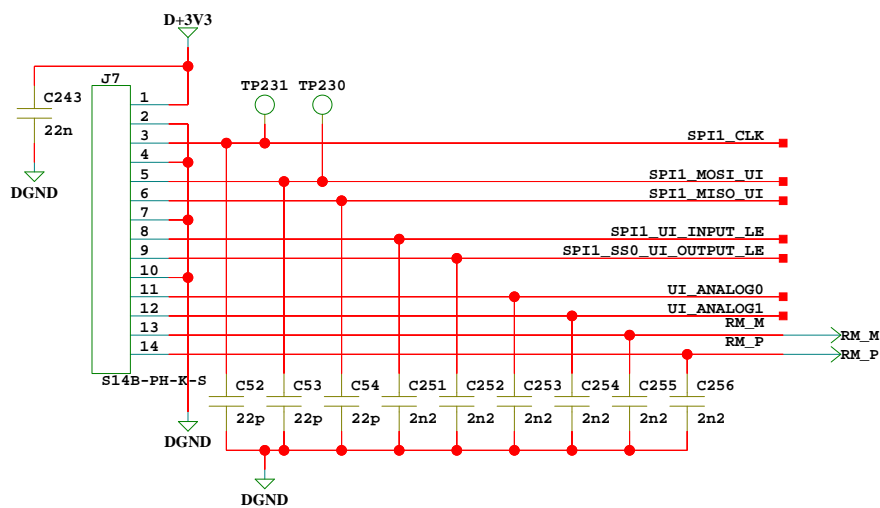
### DSP BOARD CONNECTORS



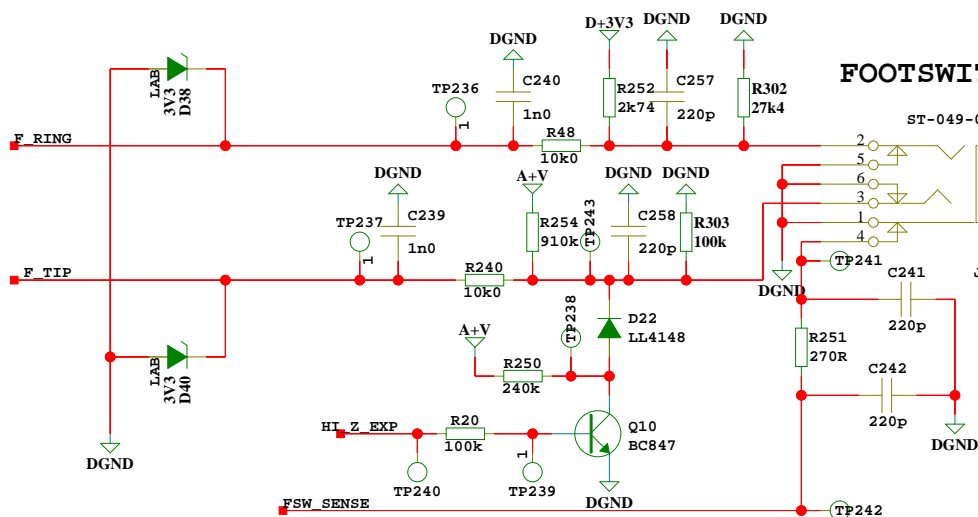
position this connector to align with pins 1-26 of DSP card J5



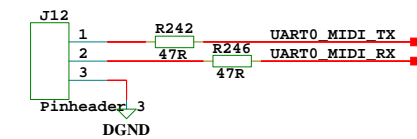
### UI BOARD CONNECTOR



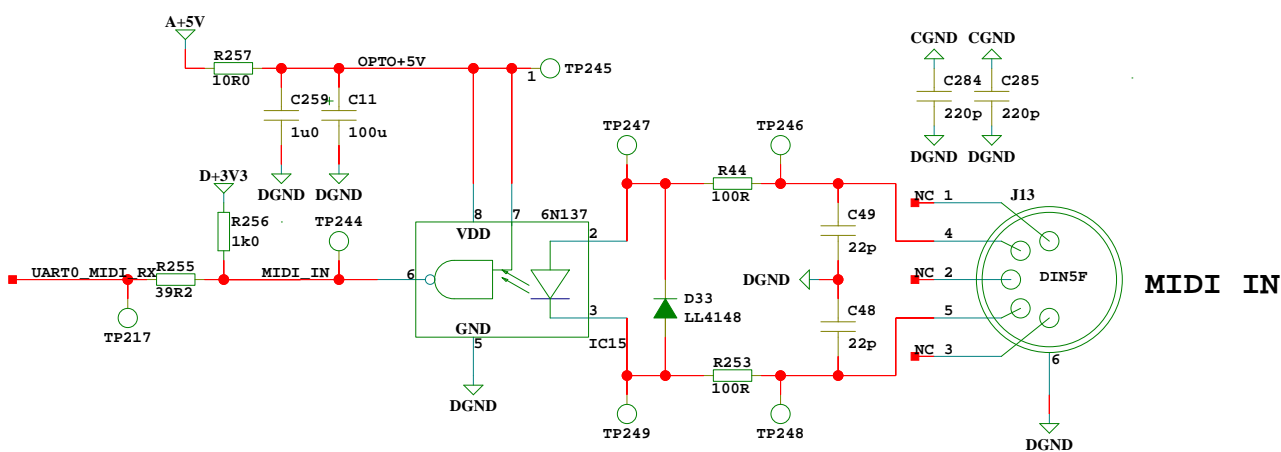
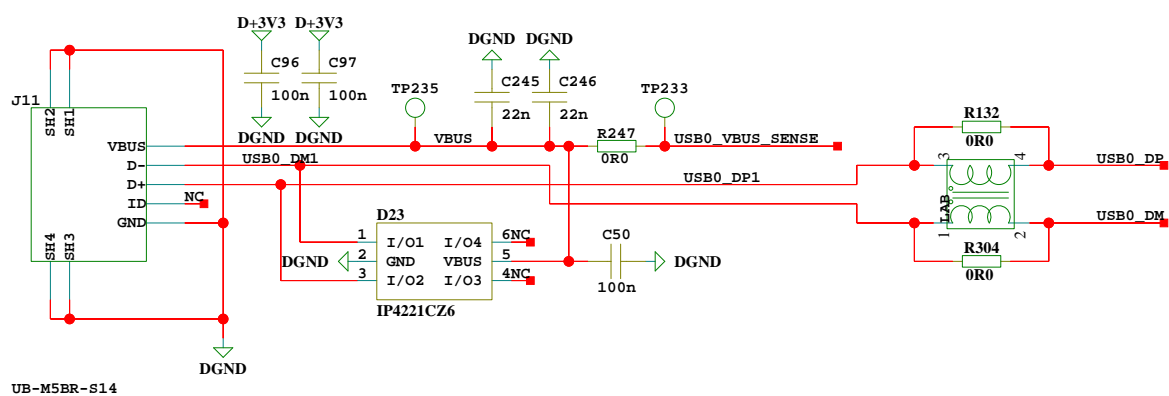
### FOOTSWITCH



Optional Debug Comm Header  
Has to share with MIDI UART

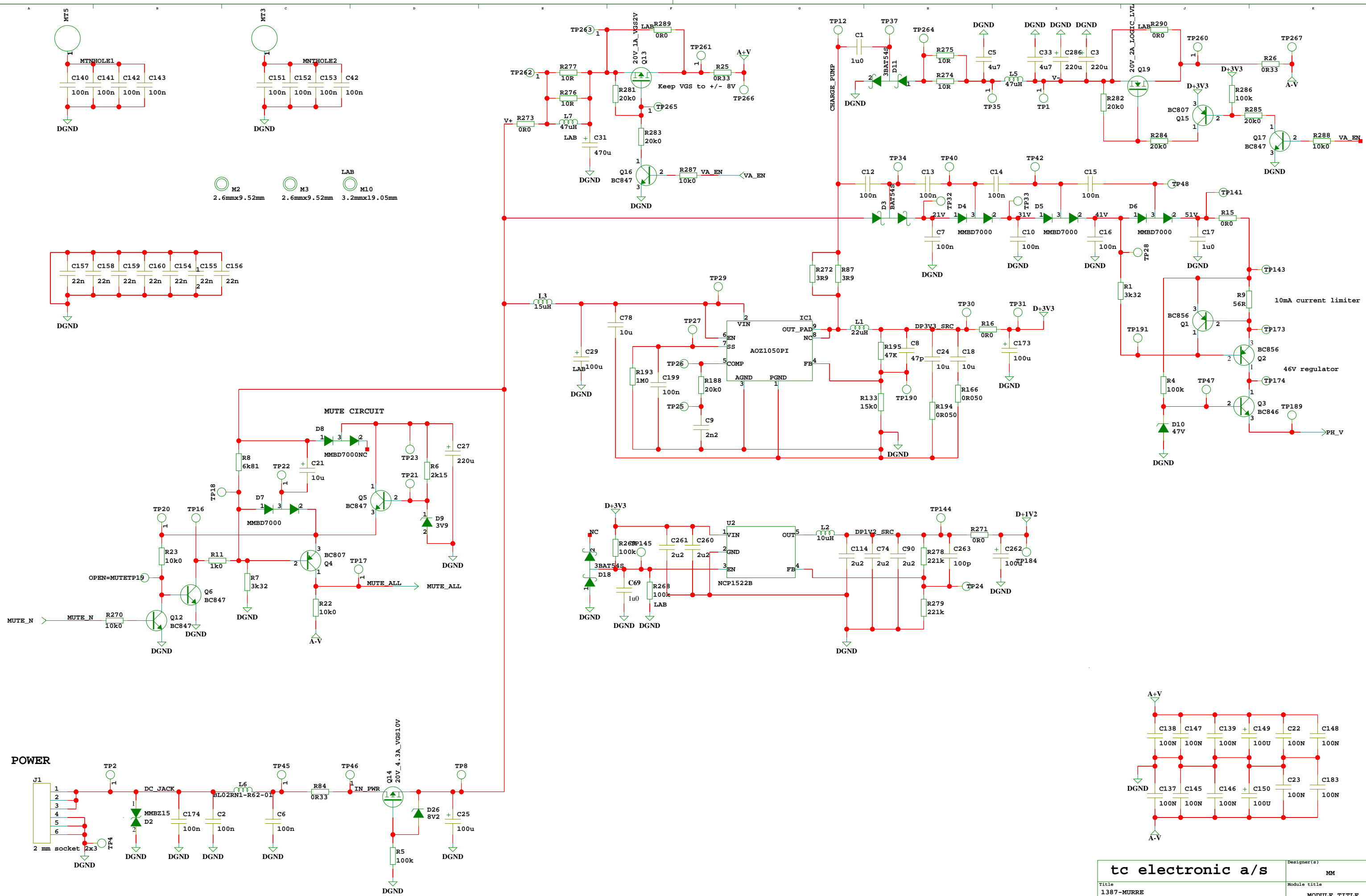


### USB DEVICE PORT

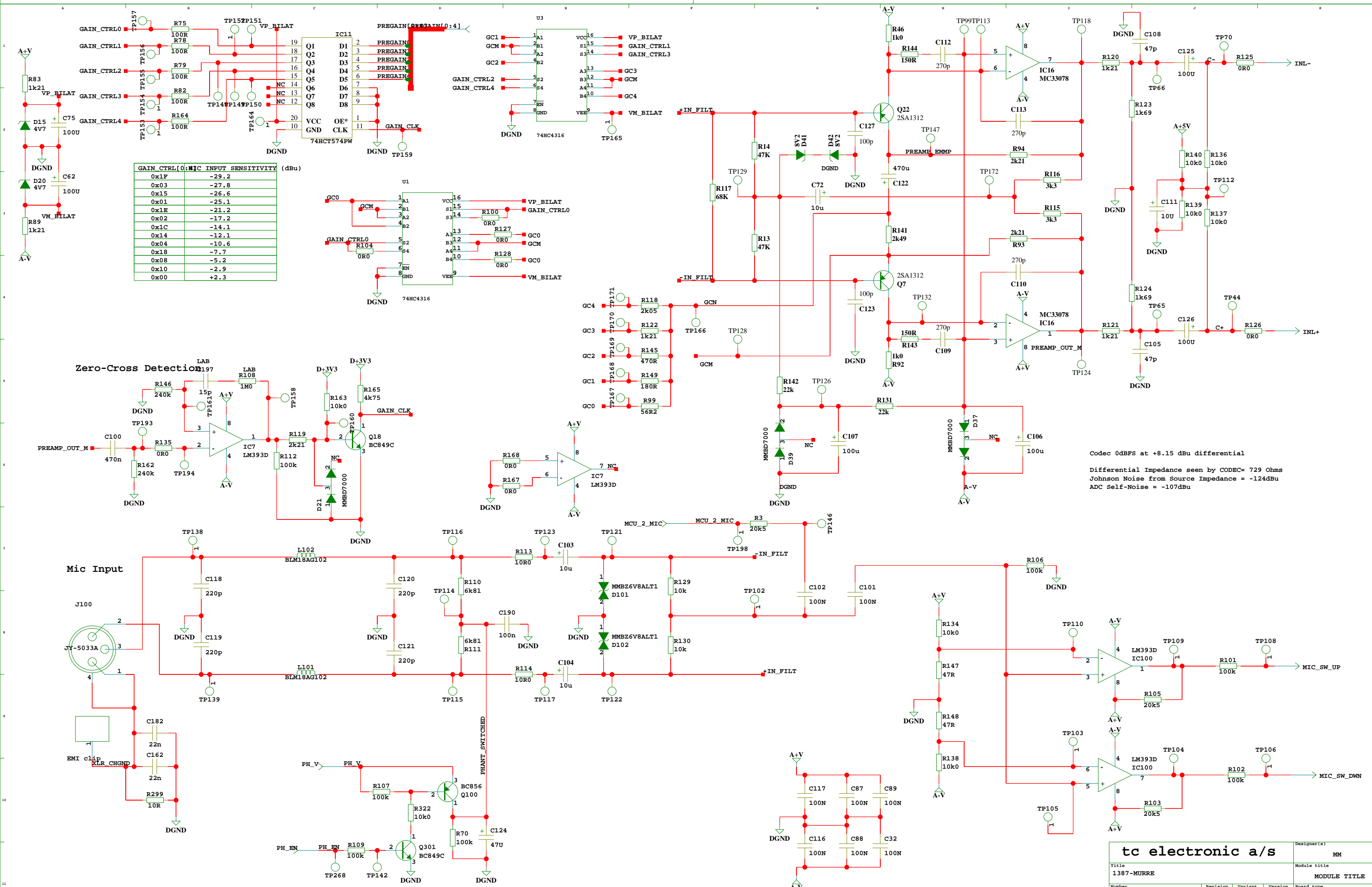


### MIDI IN

tc electronic a/s				Designer(s)	MM
1387-MURRE				Module title	MODULE TITLE
Number	Revision	Variant	Version	Board type	
P22638	C	B	C	MAINBOARD	
Date	Filename			Page / of	
23/11/2016:09:01	Controller			1 / 7	



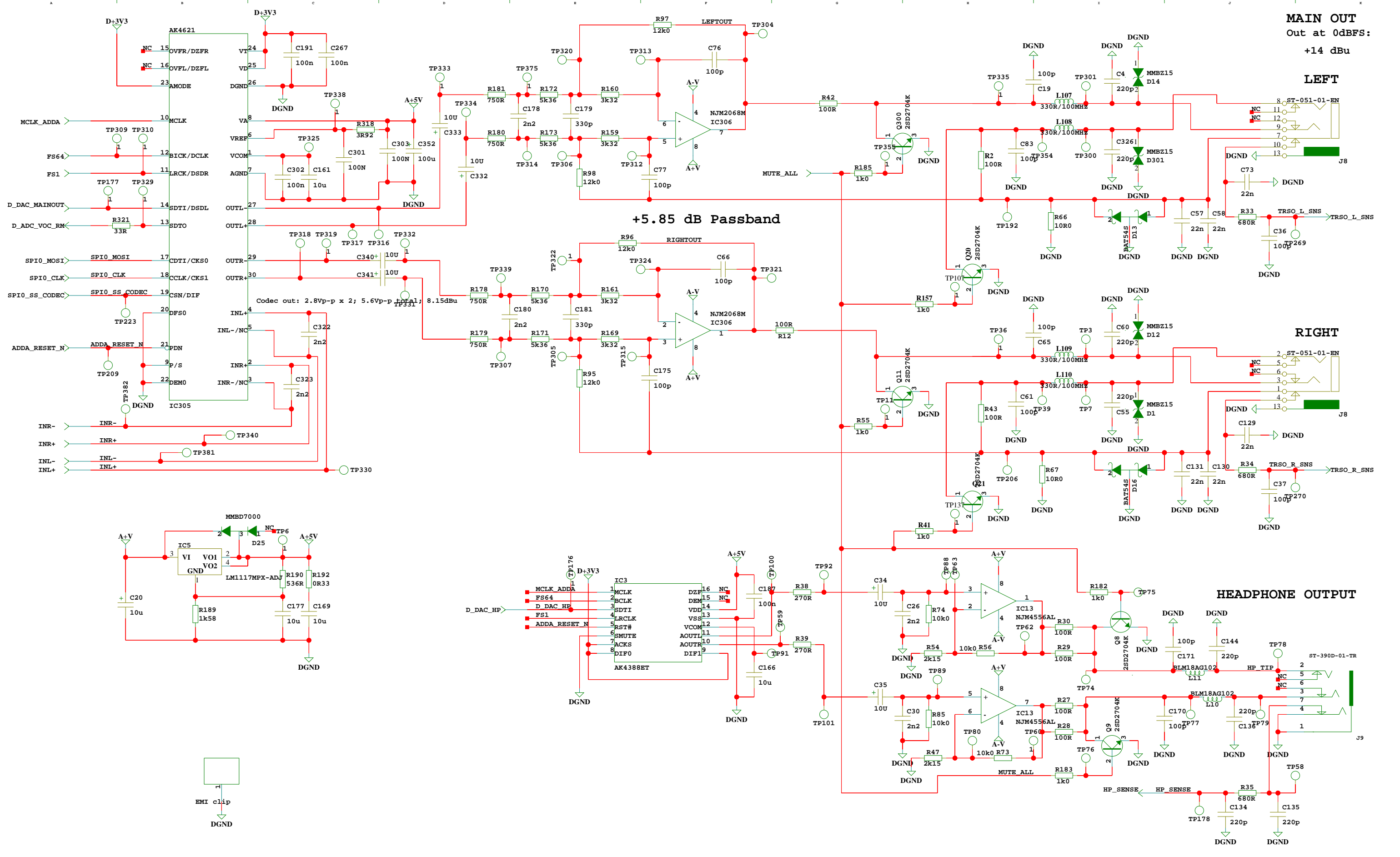
<b>tc electronic a/s</b>				Designer(s)	MM
Title 1387-MURRE				Module title MODULE TITLE	
Number P22638	Revision C	Variant B	Version C	Board type MAINBOARD	
Date 23/11/2016:09:01	Filename Power			Page / of 1 / 7	



GAIN_CTRL[0]:MIC INPUT SENSITIVITY	(dBu)
0x1F	-29.2
0x03	-27.8
0x15	-26.6
0x01	-25.1
0x1E	-21.2
0x02	-17.2
0x1C	-14.1
0x14	-12.1
0x04	-10.6
0x18	-7.7
0x08	-5.2
0x10	-2.9
0x00	+2.3

Codec 0dBFS at +8.15 dBu differential  
Differential Impedance seen by CODEC= 729 Ohms  
Johnson Noise from Source Impedance = -124dBu  
ADC Self-Noise = -107dBu

tc electronic a/s				Designer(s)	MM
Title 1387-MURRE				Module title MODULE TITLE	
Number P22638	Revision C	Variant B	Version C	Board type MAINBOARD	
Date 23/11/2016:09:00	Filename Mic_Input			Page / of 1 / 7	



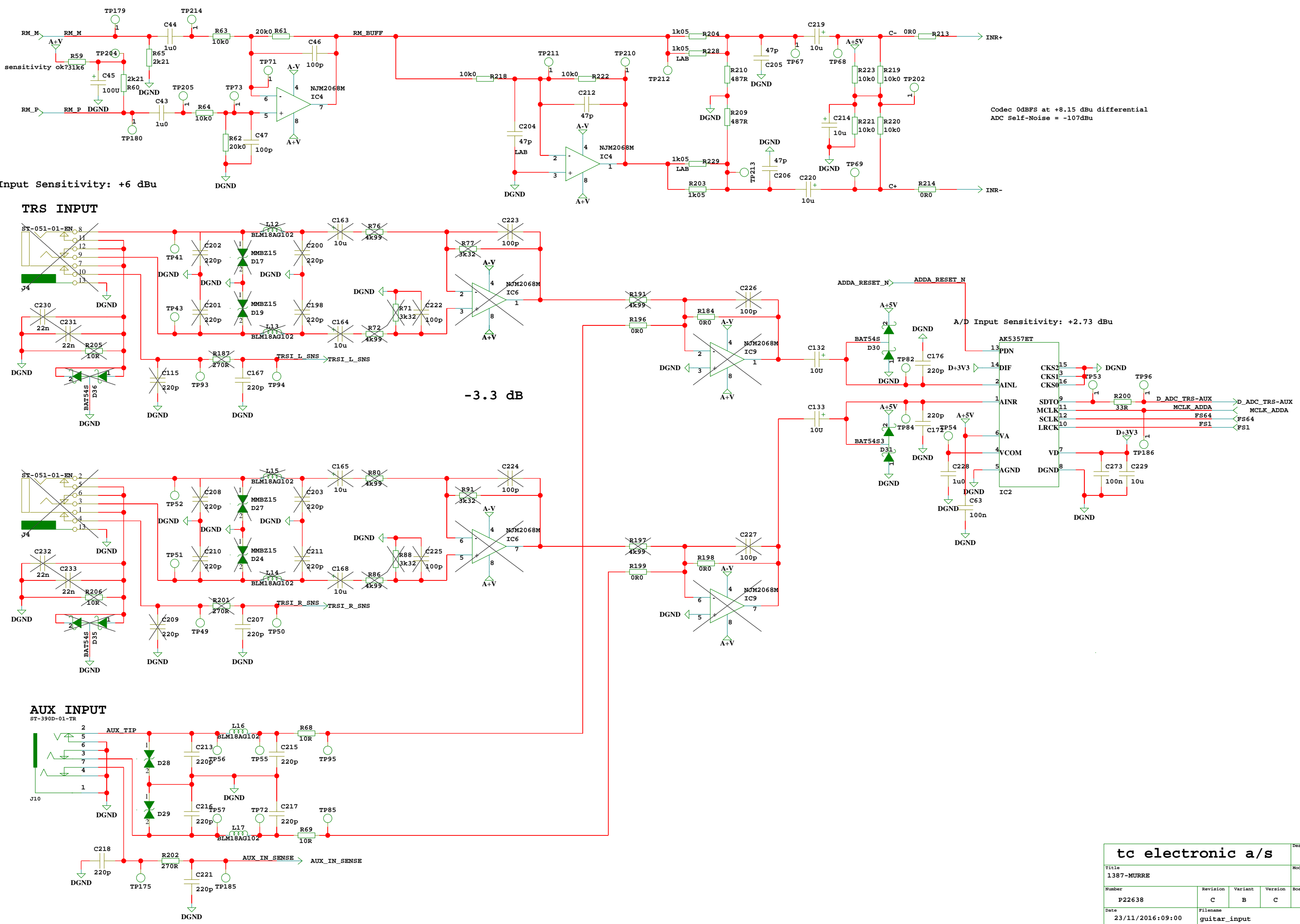
**MAIN OUT**  
Out at 0dBFS:  
+14 dBu

**LEFT**

**RIGHT**

**HEADPHONE OUTPUT**

<b>tc electronic a/s</b>				Designer(s)	MM
Title 1387-MURRE				Module title MODULE TITLE	
Number P22638	Revision C	Variant B	Version C	Board type MAINBOARD	
Date 23/11/2016:09:00	Filename hg_analog_out			Page / of 1 / 7	



Codec 0dBFS at +8.15 dBu differential  
ADC Self-Noise = -107dBu

-3.3 dB

A/D Input Sensitivity: +2.73 dBu

tc electronic a/s				Designer(s)	MM
Title 1387-MURRE				Module title MODULE TITLE	
Number P22638	Revision C	Variant B	Version C	Board type MAINBOARD	
Date 23/11/2016:09:00	Filename guitar_input			Page / of 1 / 7	