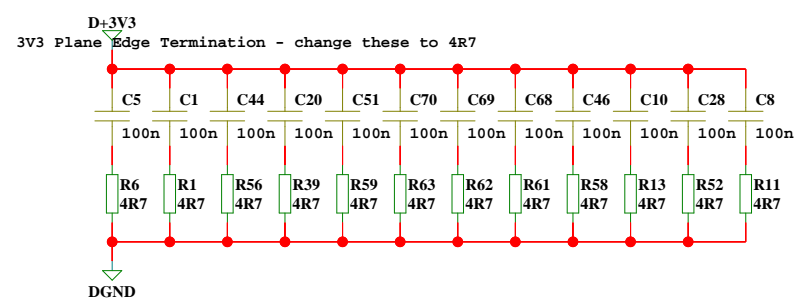
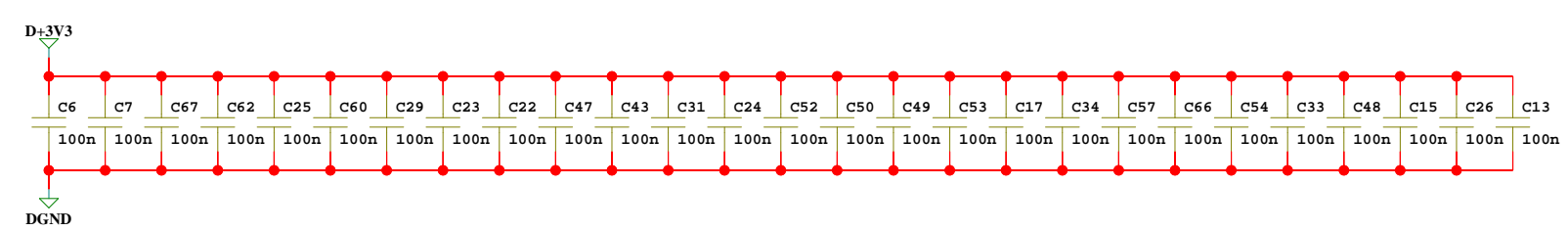
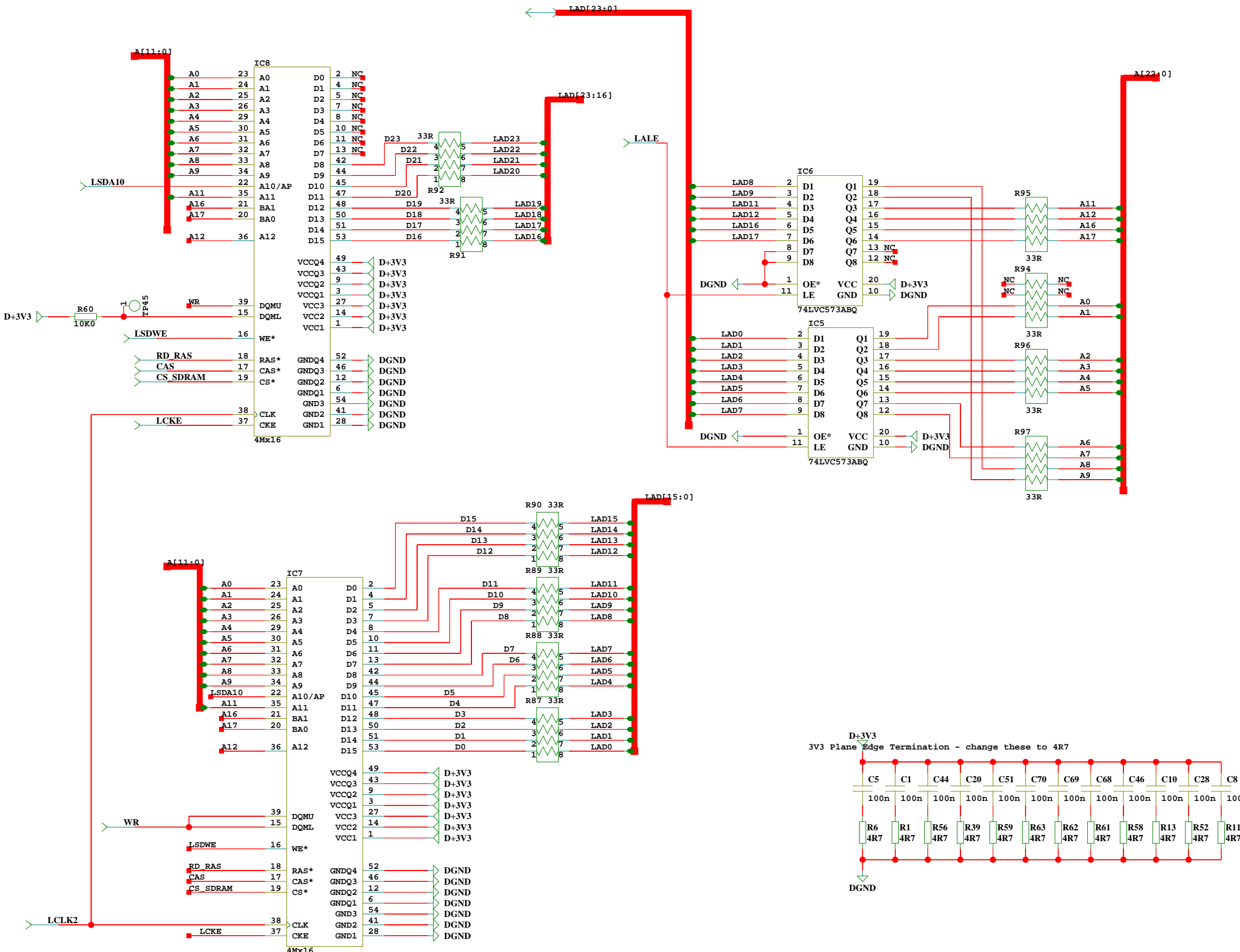
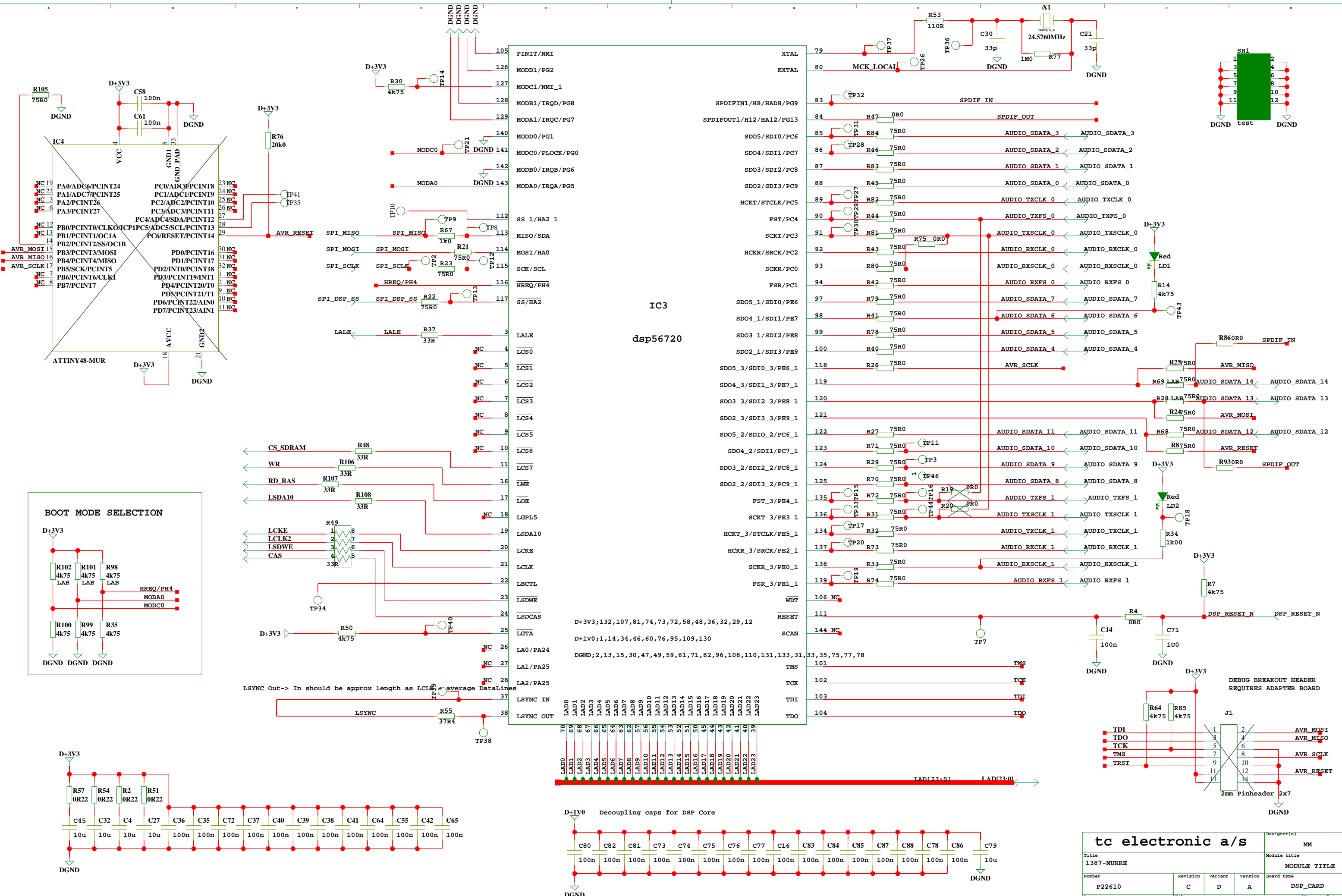


M1
P22610-C



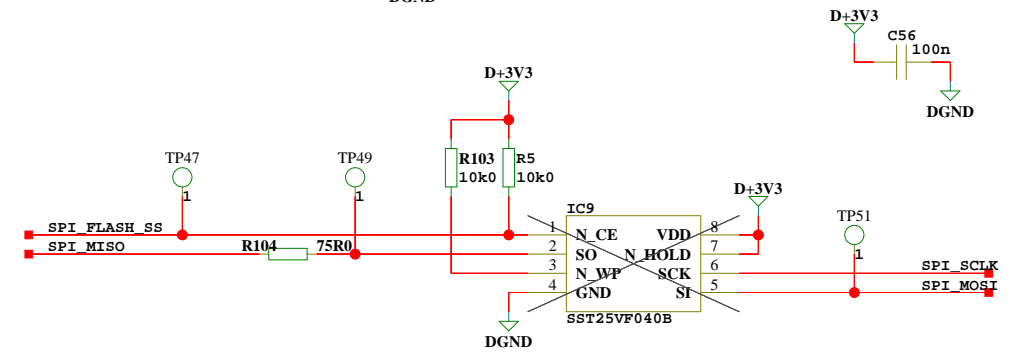
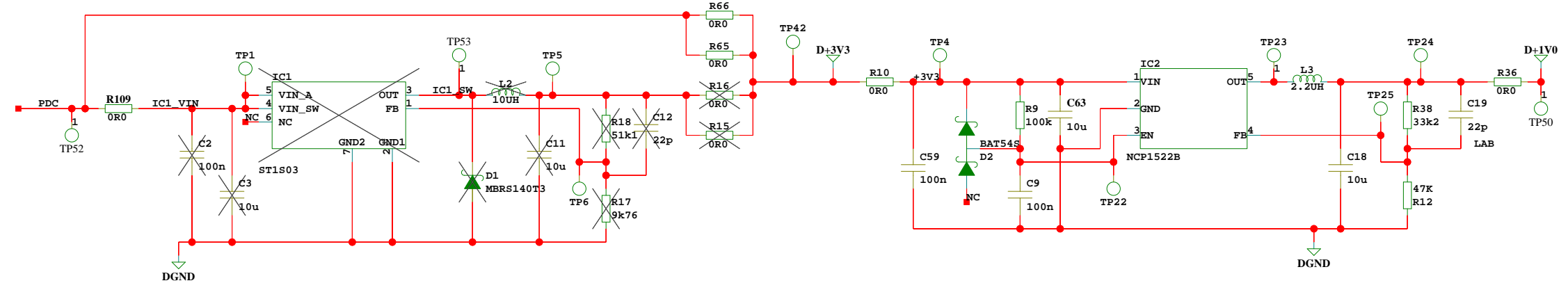
tc electronic a/s				Designer(s) MM	
Title 1387-MURRE				Module title MODULE TITLE	
Number P22610	Revision C	Variant D	Version A	Board type DSP_CARD	
Date 09/08/2016:16:15	Filename memory			Page / of 1 / 4	



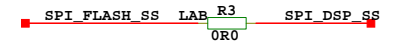
LSYNC Out-> In should be approx length as LCLK average DataLines

D+3V3;132,107,81,74,73,72,58,48,36,32,29,12
D+1V0;1,14,34,46,60,76,95,109,130
DGND;2,13,15,30,47,49,59,61,71,82,96,108,110,131,133,31,33,35,75,77,78

tc electronic a/s				Designer(s)	MM
Title 1387-MURRE				Module title MODULE TITLE	
Number P22610	Revision C	Variant D	Version A	Board type DSP_CARD	
Date 09/08/2016:16:15	Filename dsp720		Page / of 1 / 4		



OPTION FOR DSP SELF BOOT AS MASTER



MAIN CONNECTOR

