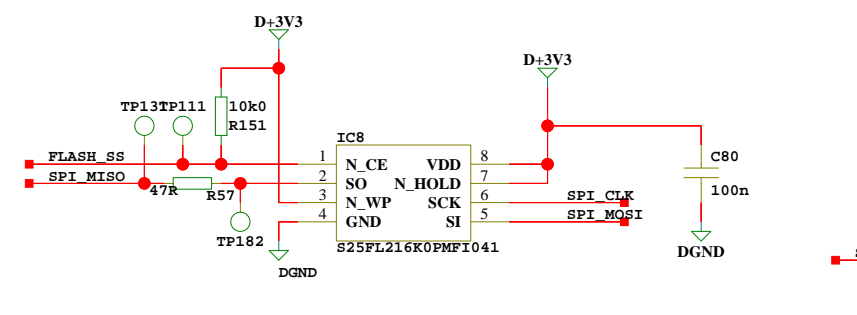
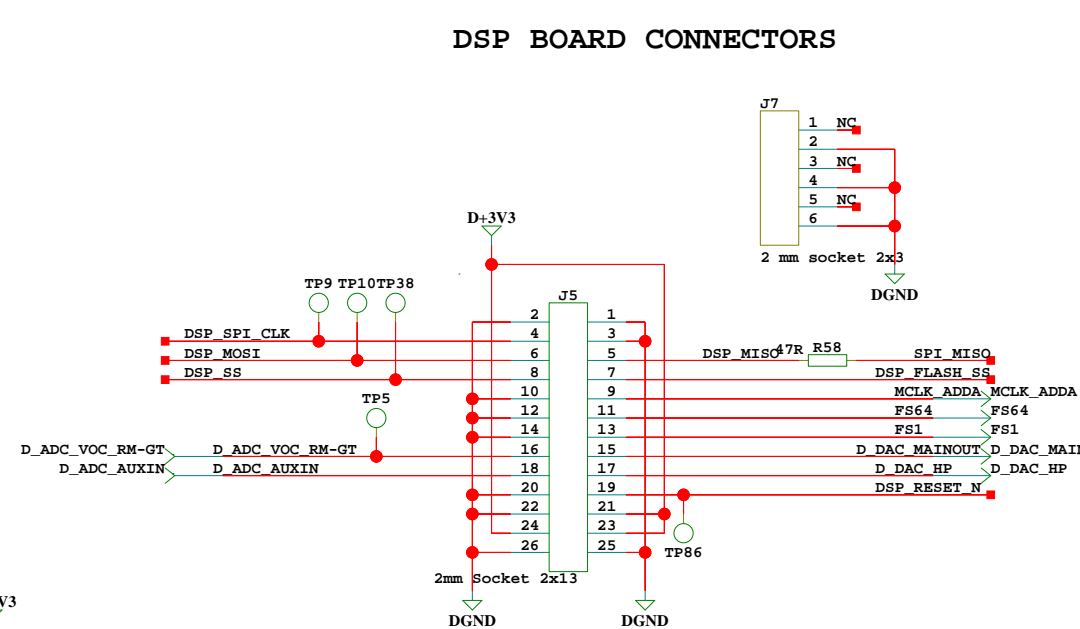
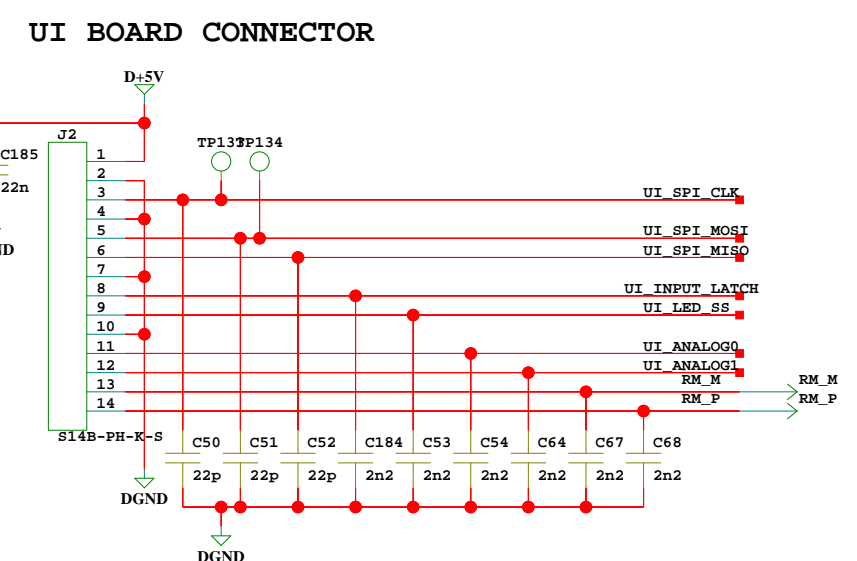
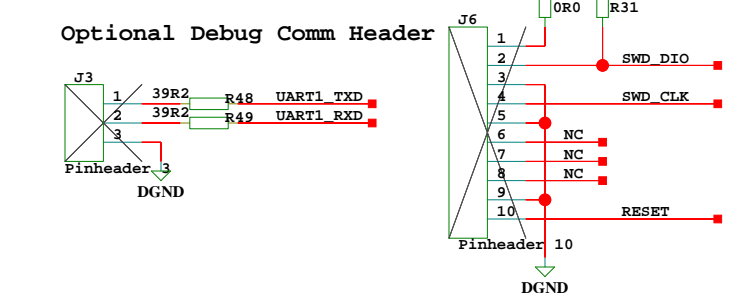
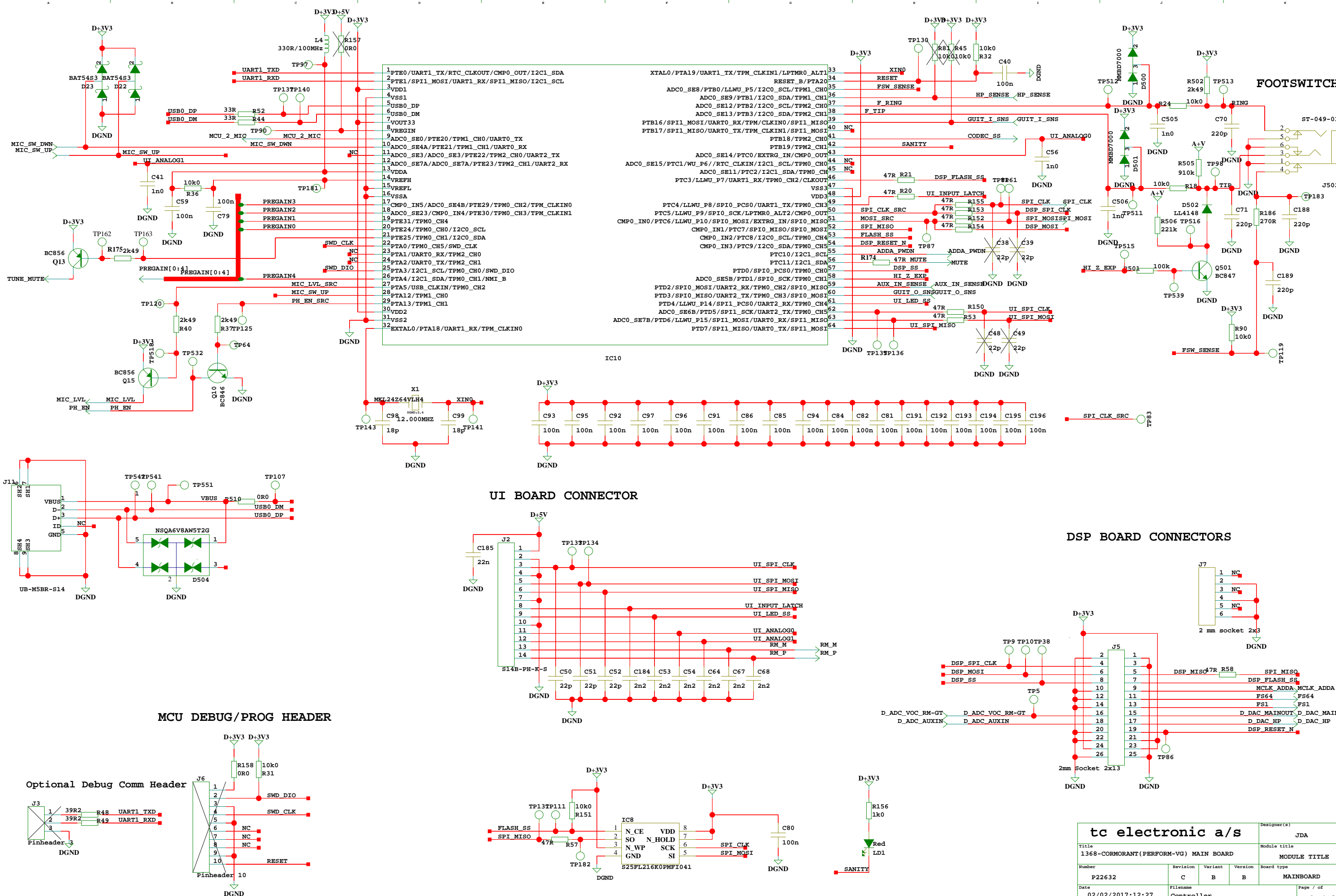
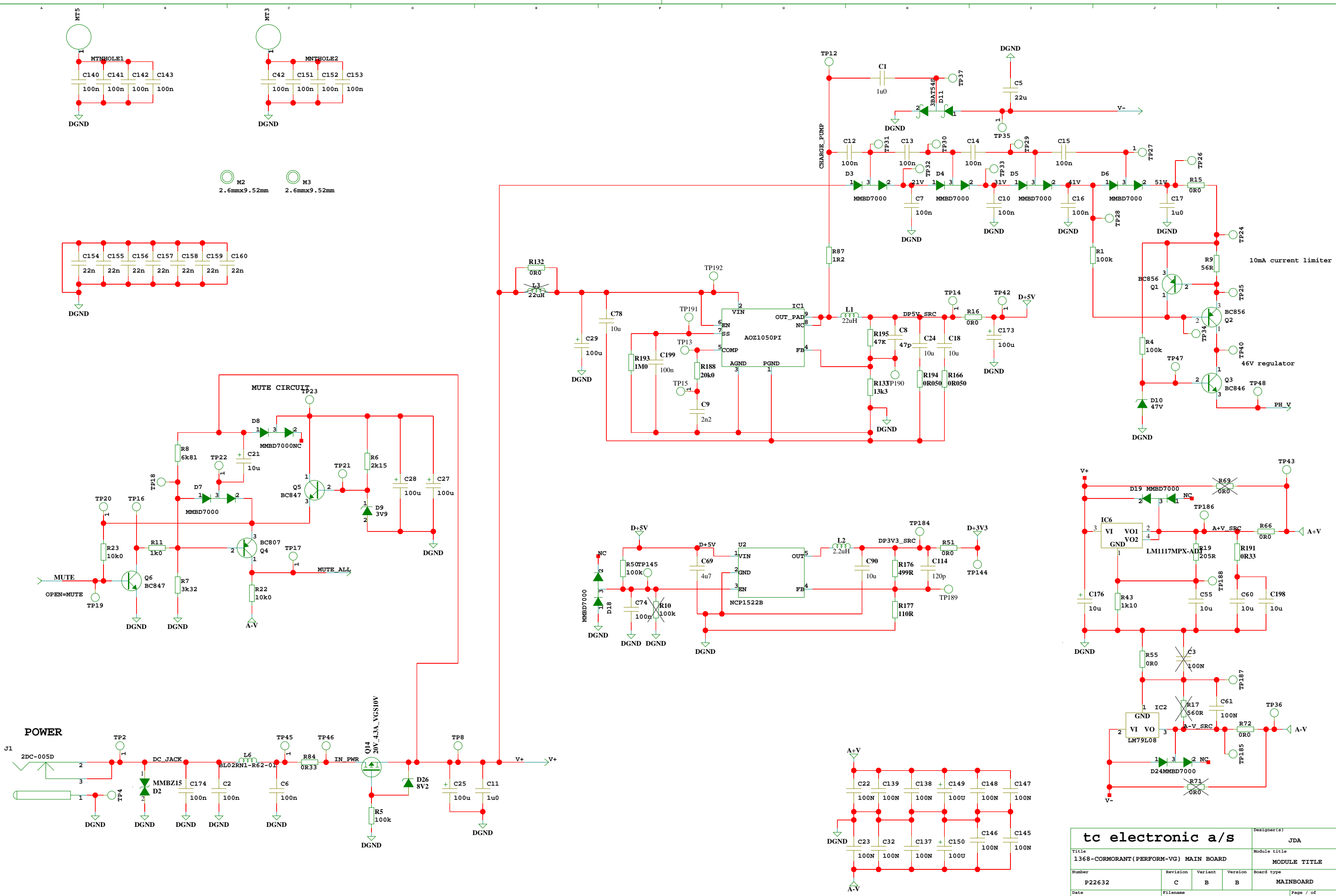


M1  
 P22632-C

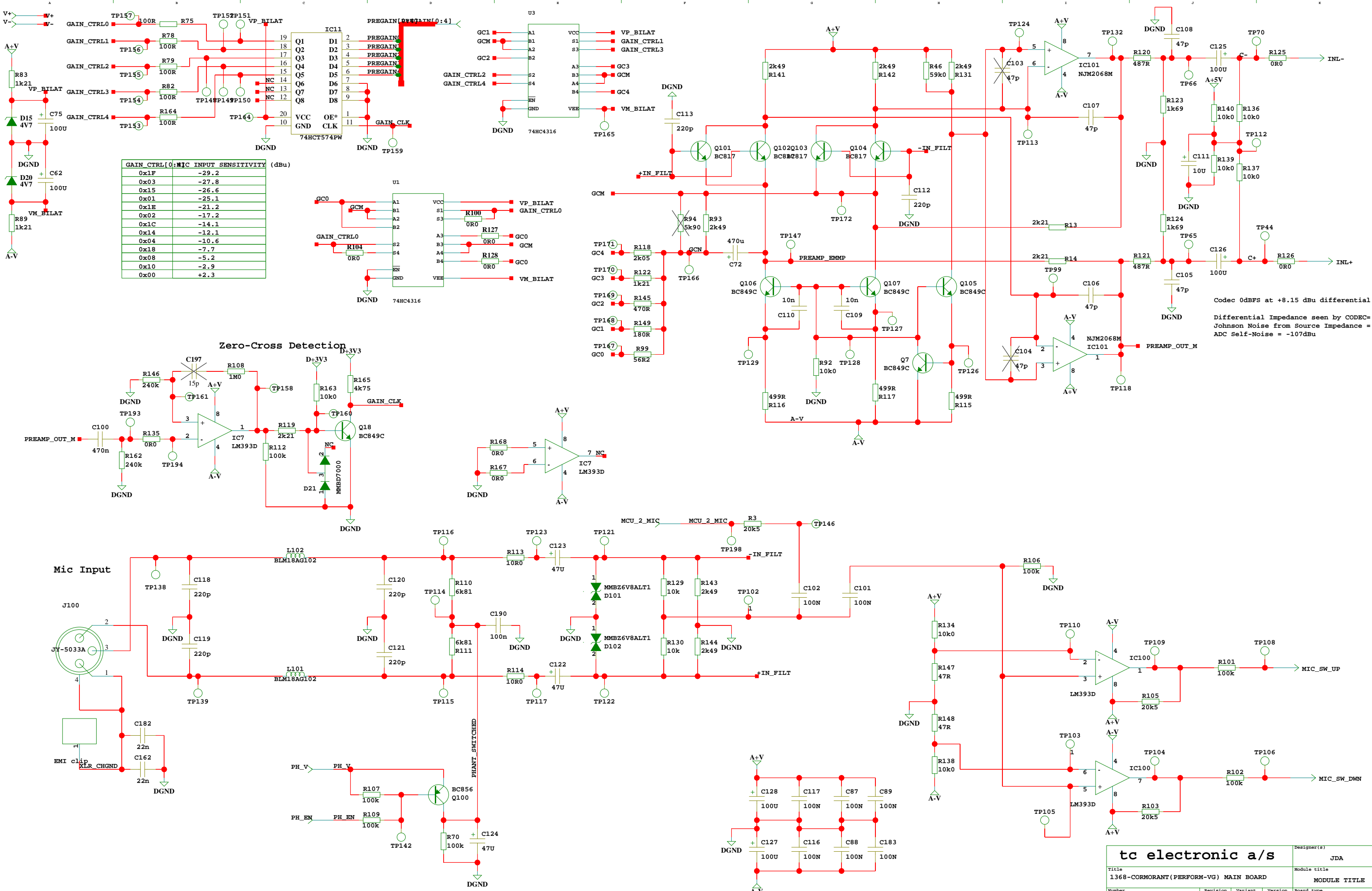
tc electronic a/s				Designer(s) JDA	
Title 1368-CORMORANT(PERFORM-VG) MAIN BOARD				Module title MODULE TITLE	
Number P22632	Revision C	Variant B	Version B	Board type MAINBOARD	
Date 02/02/2017:12:27	Filename P22632-B			Page / of 1 / 6	



<b>tc electronic a/s</b>				Designer(s)	JDA
Title				Module title	
1368-CORMORANT (PERFORM-VG) MAIN BOARD				MODULE TITLE	
Number	Revision	Variant	Version	Board type	
P22632	C	B	B	MAINBOARD	
Date	Filename			Page / of	
02/02/2017:12:27	Controller			1 / 6	



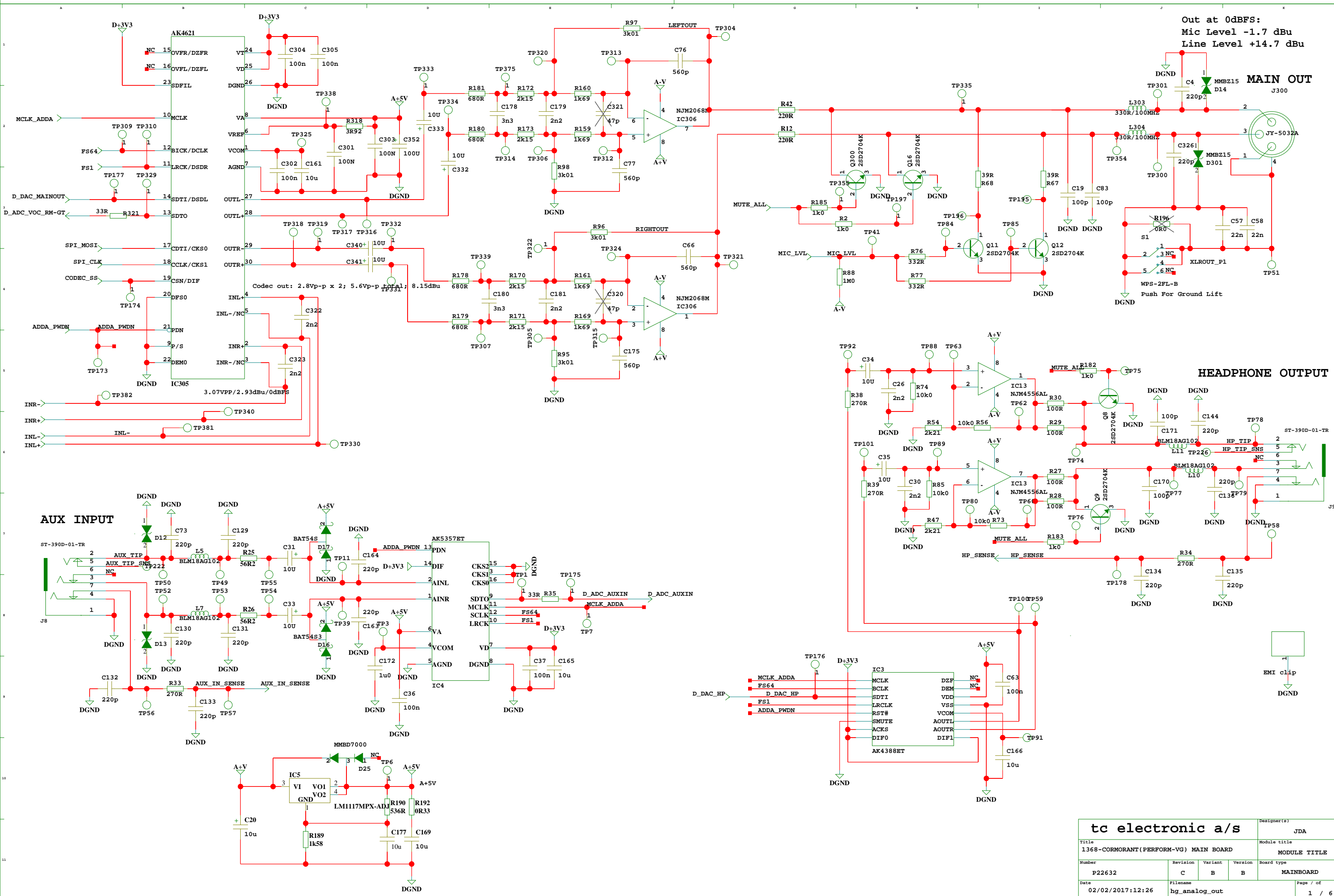
<b>tc electronic a/s</b>				Designer(s) JDA
Title 1368-CORMORANT (PERFORM-VG) MAIN BOARD				Module title MODULE TITLE
Number P22632	Revision C	Variant B	Version B	Board type MAINBOARD
Date 02/02/2017:12:27	Filename Power			Page / of 1 / 6



GAIN_CTRL[0]:MIC INPUT SENSITIVITY	(dBu)
0x1F	-29.2
0x03	-27.8
0x15	-26.6
0x01	-25.1
0x1E	-21.2
0x02	-17.2
0x1C	-14.1
0x14	-12.1
0x04	-10.6
0x18	-7.7
0x08	-5.2
0x10	-2.9
0x00	+2.3

Codec 0dBFS at +8.15 dBu differential  
Differential Impedance seen by CODEC= 72Ω  
Johnson Noise from Source Impedance = -112dBu  
ADC Self-Noise = -107dBu

tc electronic a/s				Designer(s)	JDA
1368-CORMORANT (PERFORM-VG) MAIN BOARD				Module title	MODULE TITLE
Number	Revision	Variant	Version	Board type	
P22632	C	B	B	MAINBOARD	
Date	Filename			Page / of	
02/02/2017:12:26	Mic_Input			1 / 6	



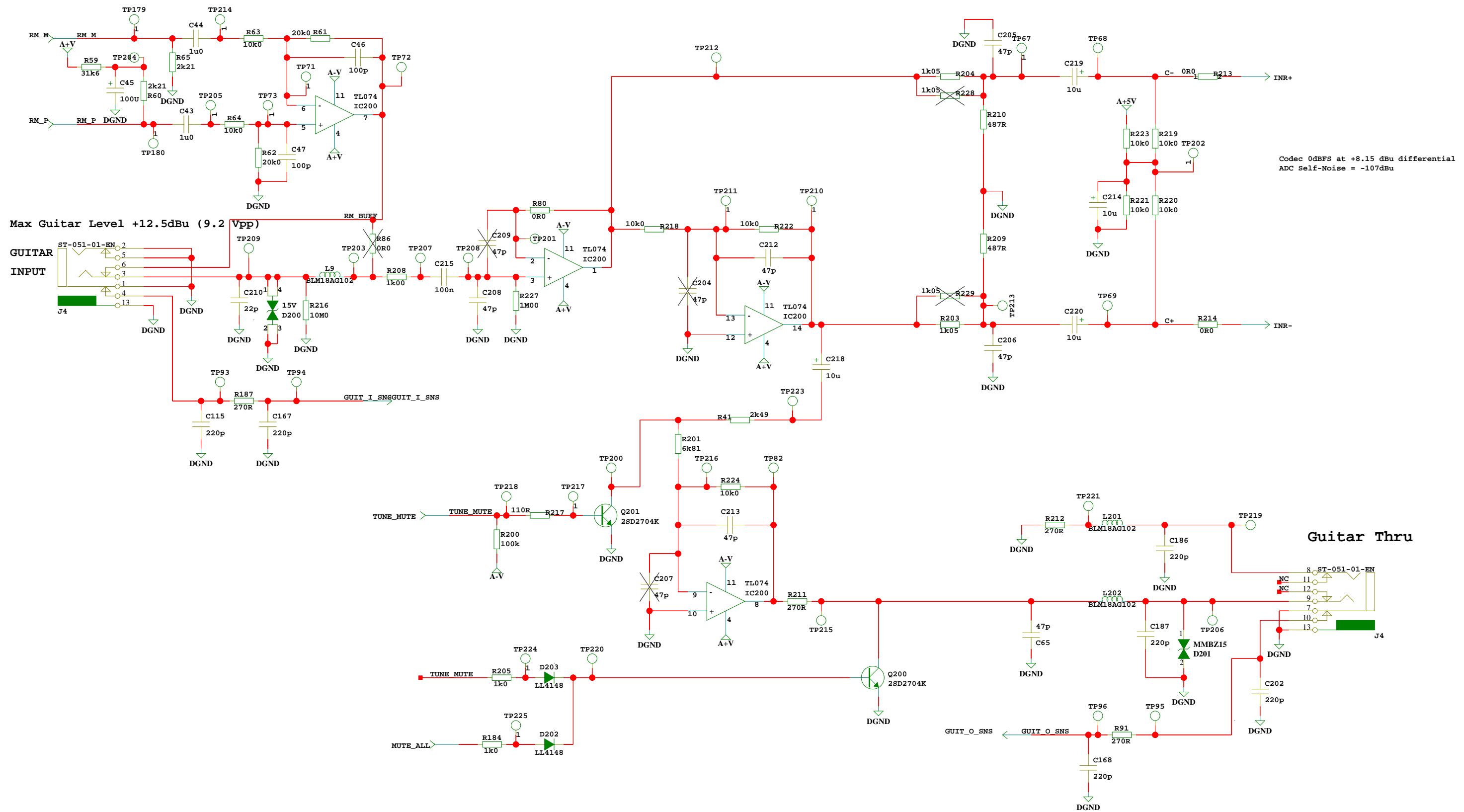
Out at 0dBFS:  
 Mic Level -1.7 dBu  
 Line Level +14.7 dBu

**MAIN OUT**

**HEADPHONE OUTPUT**

**AUX INPUT**

tc electronic a/s				Designer(s)	JDA
Title				Module title	
1368-CORMORANT (PERFORM-VG) MAIN BOARD				MODULE TITLE	
Number	Revision	Variant	Version	Board type	
P22632	C	B	B	MAINBOARD	
Date	Filename	Page / of			
02/02/2017:12:26	hg_analog_out	1 / 6			



tc electronic a/s				Designer(s)	
				JDA	
Title 1368-CORMORANT(PERFORM-VG) MAIN BOARD				Module title	
				MODULE TITLE	
Number P22632		Revision C	Variant B	Version B	Board type MAINBOARD
Date 02/02/2017:12:27		Filename guitar_input			Page / of 1 / 6