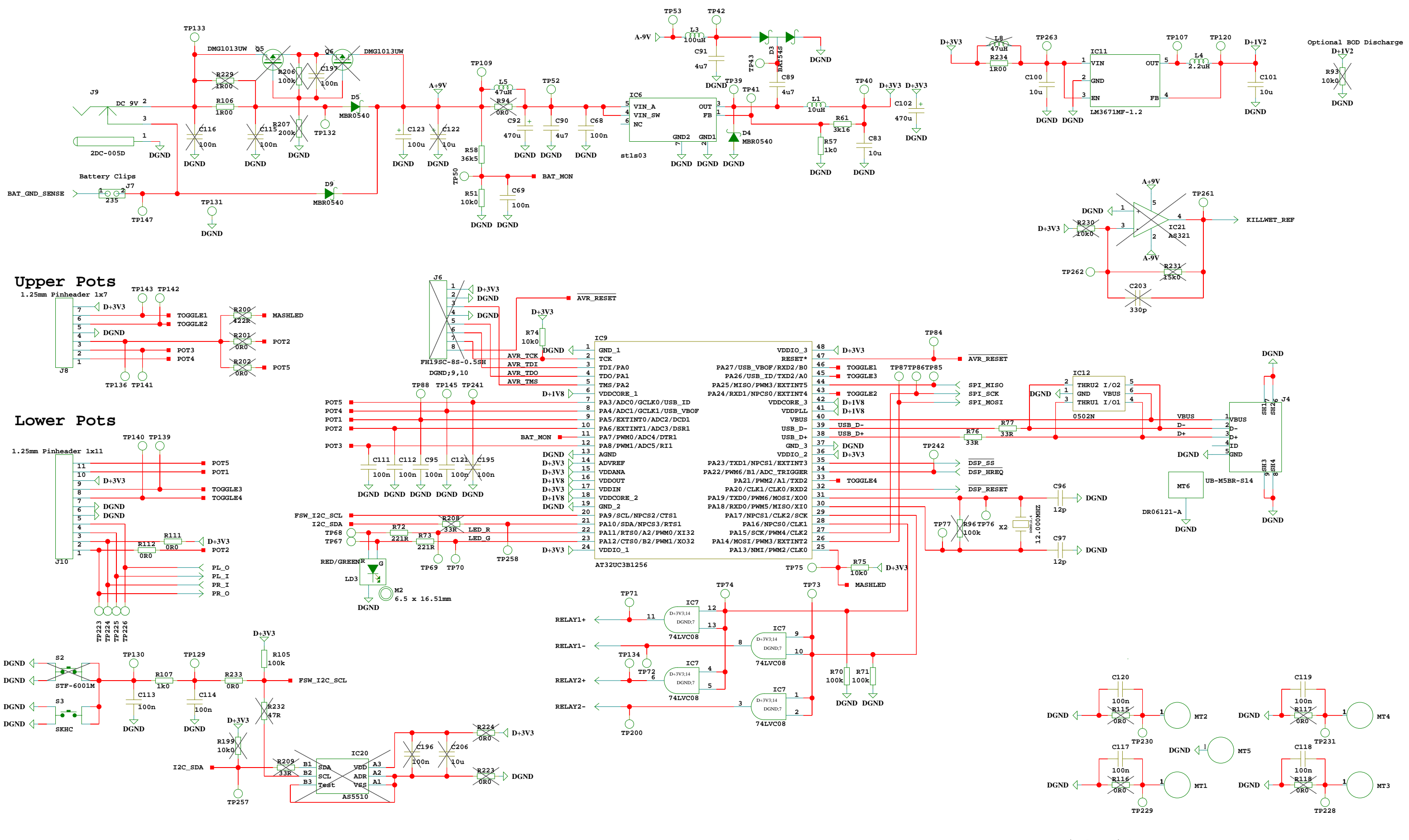
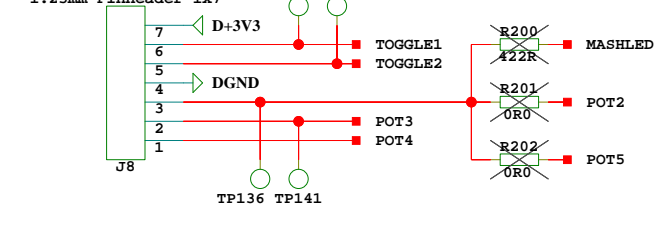


M1  
P22387-B  
pcb

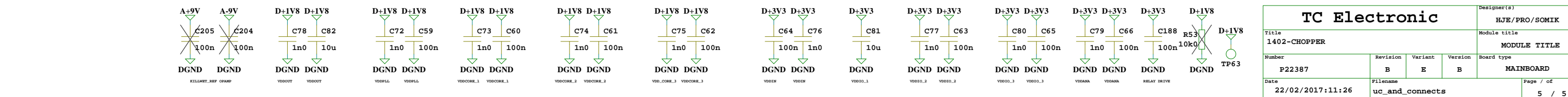
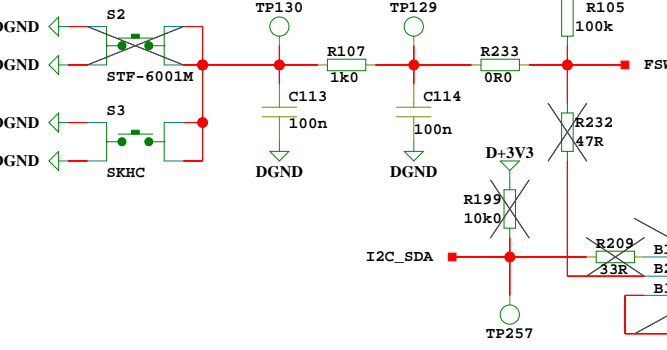
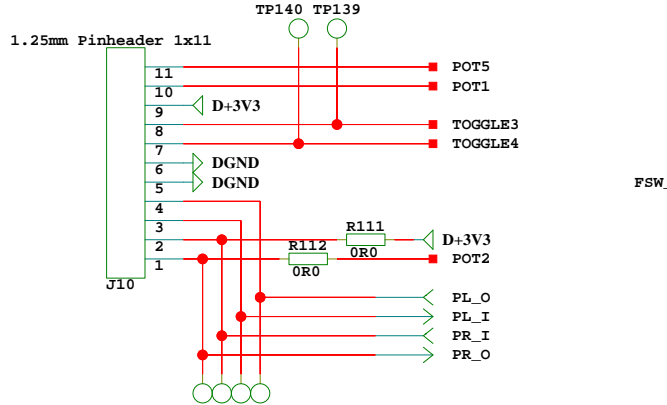
<b>TC Electronic</b>				Designer(s) HJE/PRO/SOMIK	
Title 1402-CHOPPER				Module title MODULE TITLE	
Number P22387	Revision B	Variant E	Version B	Board type MAINBOARD	
Date 22/02/2017:11:25	Filename			Page / of 1 / 5	



### Upper Pots

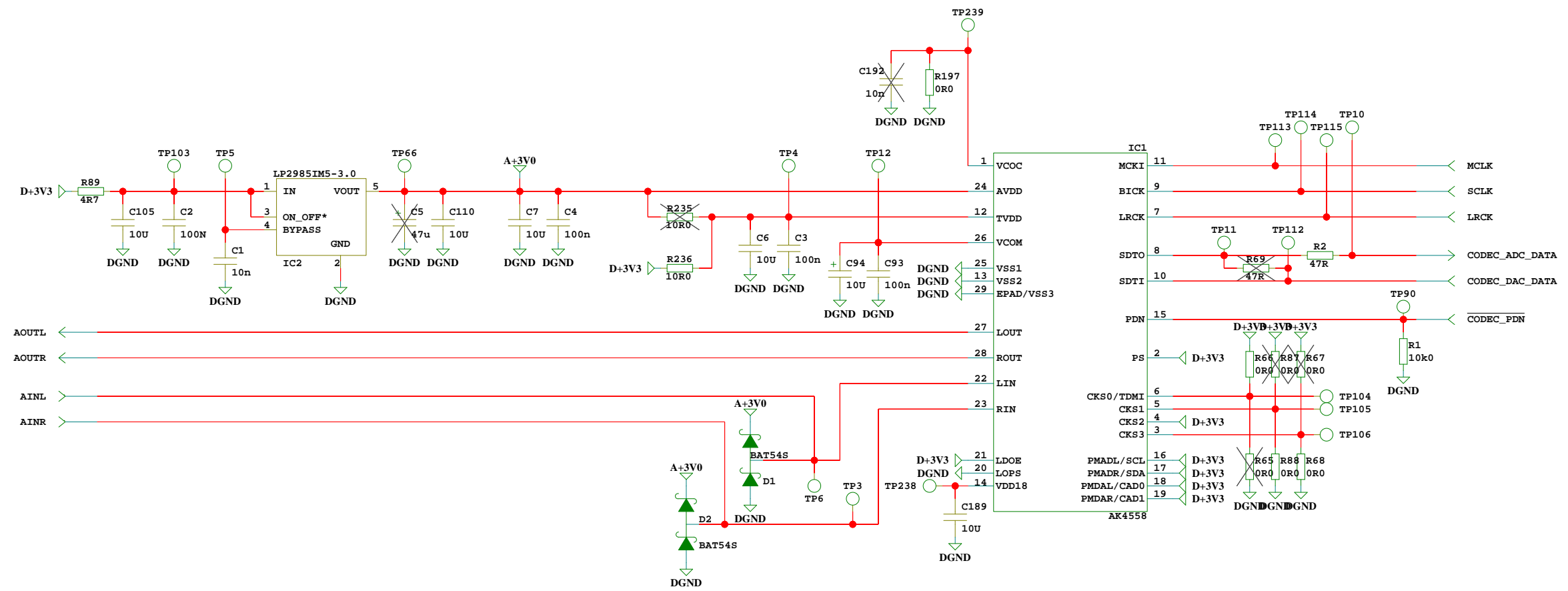


### Lower Pots

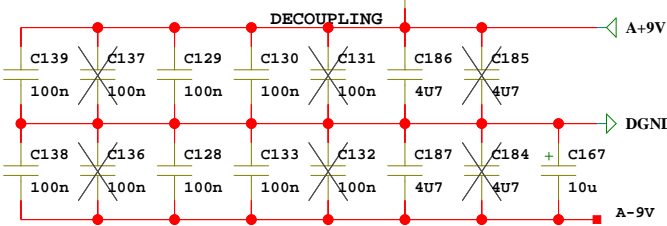
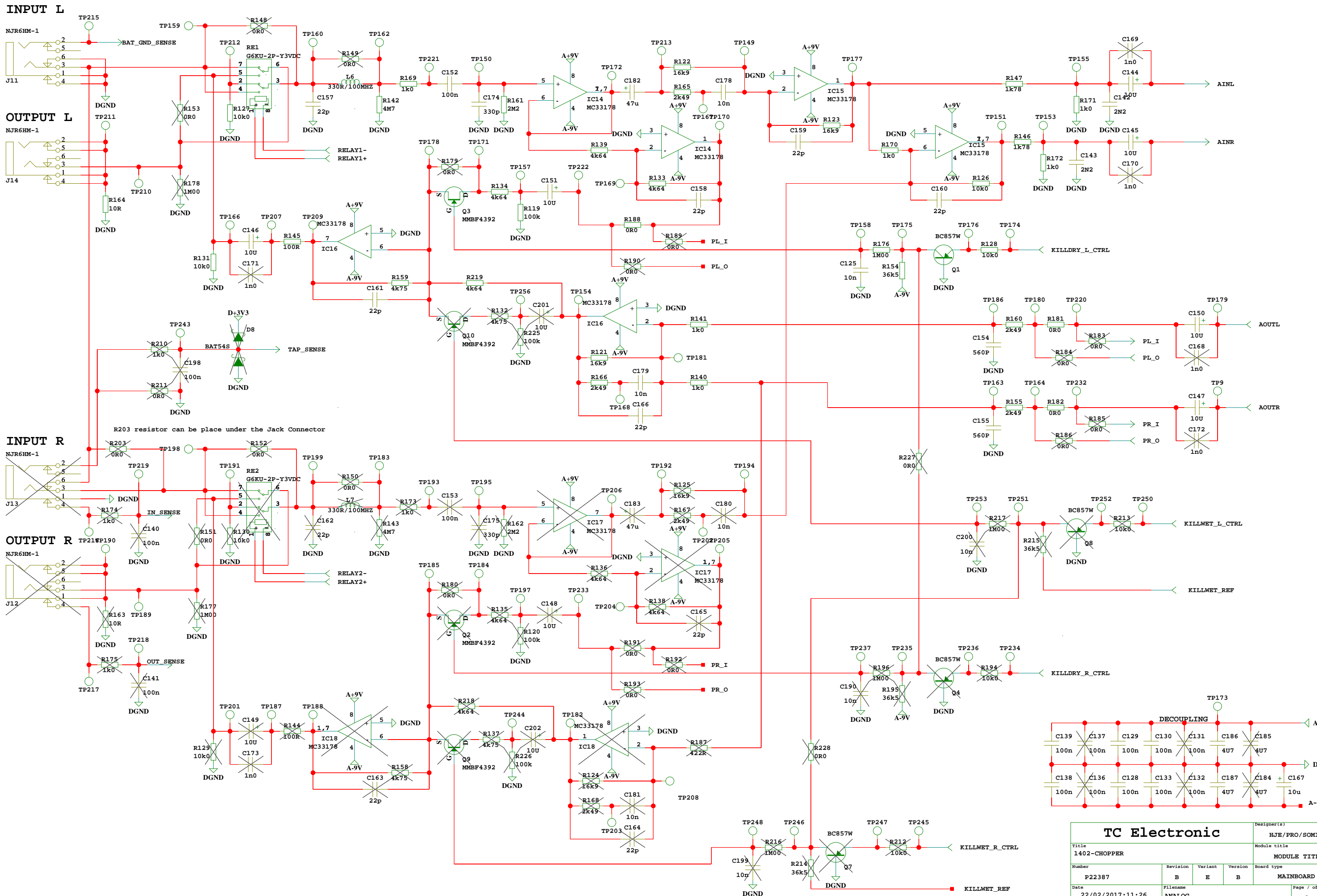


<b>TC Electronic</b>				Designer(s) HJE/PRO/SOMIK
Title 1402-CHOPPER				Module title MODULE TITLE
Number P22387	Revision B	Variant E	Version B	Board type MAINBOARD
Date 22/02/2017:11:26	Filename uc_and_connects		Page / of 5 / 5	





<b>TC Electronic</b>				Designer(s) HJE/PRO/SOMIK	
Title 1402-CHOPPER				Module title MODULE TITLE	
Number P22387	Revision B	Variant E	Version B	Board type MAINBOARD	
Date 22/02/2017:11:25	Filename codec			Page / of 3 / 5	



<b>TC Electronic</b>				Designer(s)	HJE/PRO/SOMIK
Title 1402-CHOPPER				Module title MODULE TITLE	
Number P22387	Revision B	Variant E	Version B	Board type MAINBOARD	
Date 22/02/2017:11:26	Filename ANALOG			Page / of 2 / 5	