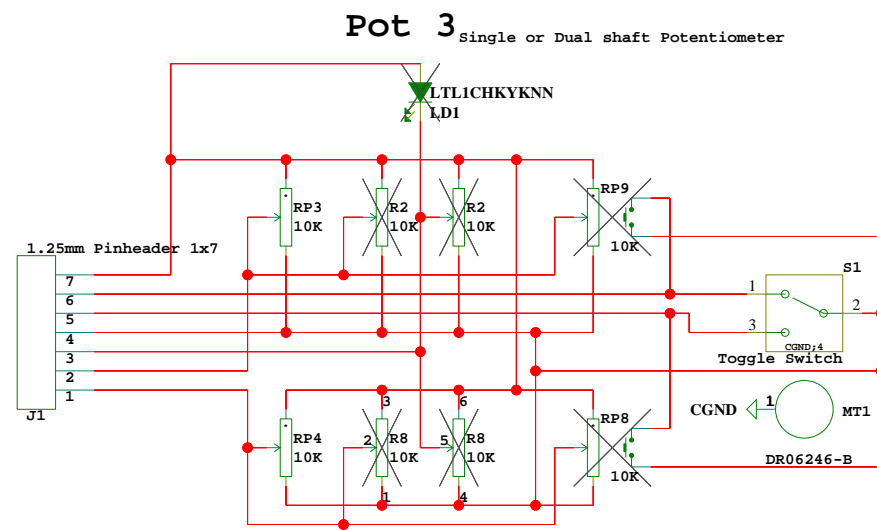
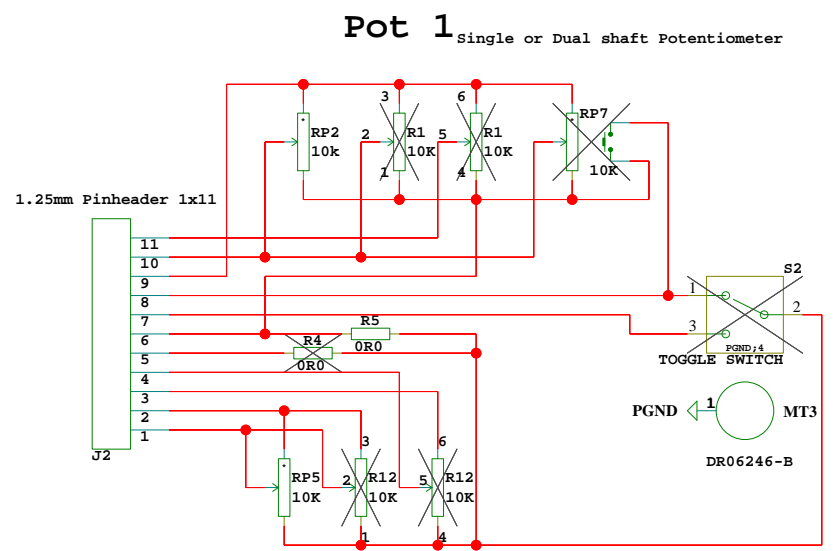


M1
P22392-A
PCB

| | | | | |
|----------------------------------|----------------------|--------------|--------------|----------------------------------|
| TC Electronic | | | | Designer(s) HJE/PRO/SOMIK |
| Title 1402 - CHOPPER UI BOARD | | | | Module title MODULE TITLE |
| Number P22392 | Revision A | Variant D | Version A | Board type POTENTIOMETERBOARD |
| Date 17/11/2016:13:51 | Filename P22390-D | | | Page / of 1 / 2 |



Pot 4 Single or Dual shaft Potentiometer



Pot 2 Single Deck or Stereo Level Potentiometer

| | | | | |
|----------------------------------|------------------|--------------|--------------|----------------------------------|
| TC Electronic | | | | Designer(s) HJE/PRO/SOMIK |
| Title 1402 - CHOPPER UI BOARD | | | | Module title MODULE TITLE |
| Number P22392 | Revision A | Variant D | Version A | Board type POTENTIOMETERBOARD |
| Date 17/11/2016:13:51 | Filename Pots | | | Page / of 2 / 2 |