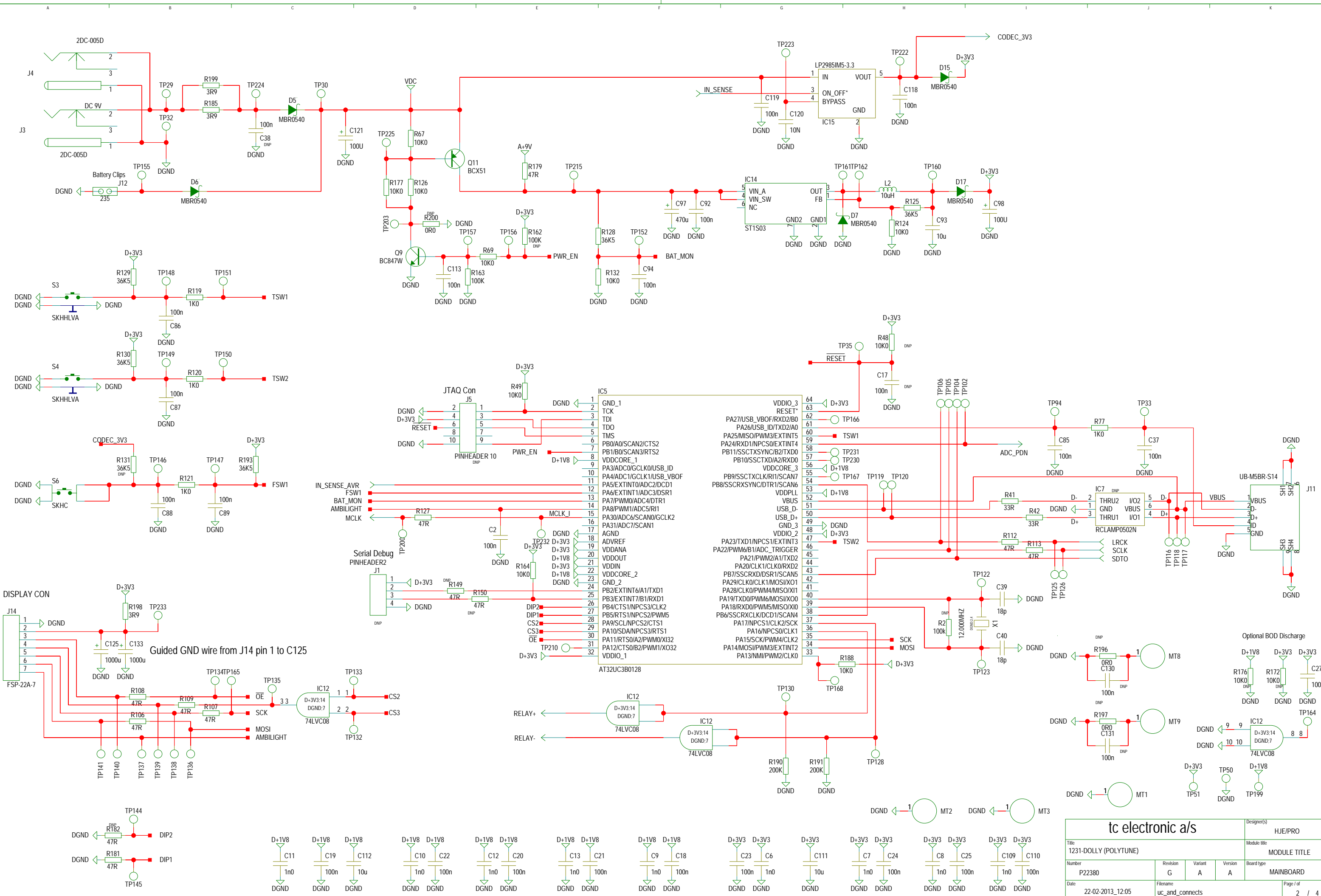


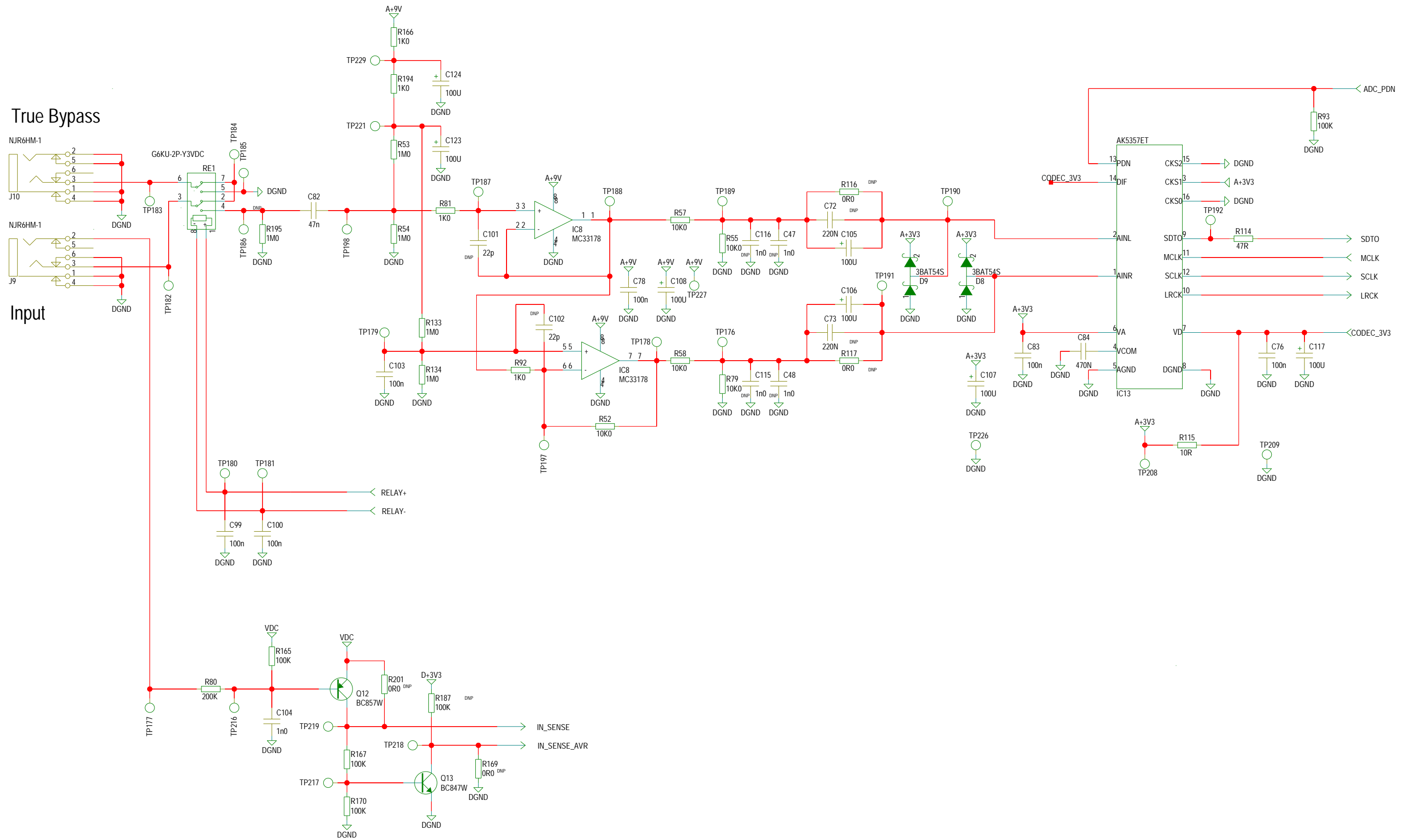
M1
 P22380-G

tc electronic a/s				Designer(s) HJE/PRO
Title 1231-DOLLY (POLYTUNE)				Module title MODULE TITLE
Number P22380	Revision G	Variant A	Version A	Board type MAINBOARD
Date 22-02-2013_12:05	Filename			Page / of 1 / 4



Guided GND wire from J14 pin 1 to C125

tc electronic a/s				Designer(s) HJE/PRO	
Title 1231-DOLLY (POLYTUNE)				Module title MODULE TITLE	
Number P22380	Revision G	Variant A	Version A	Board type MAINBOARD	
Date 22-02-2013_12:05	Filename uc_and_connects			Page / of 2 / 4	



tc electronic a/s				Designer(s)	HJE/PRO
Title 1231-DOLLY (POLYTUNE)				Module title MODULE TITLE	
Number P22380	Revision G	Variant A	Version A	Board type MAINBOARD	
Date 22-02-2013_12:05	Filename input	Page / of 3 / 4			

