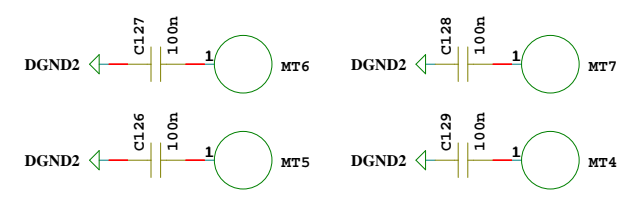
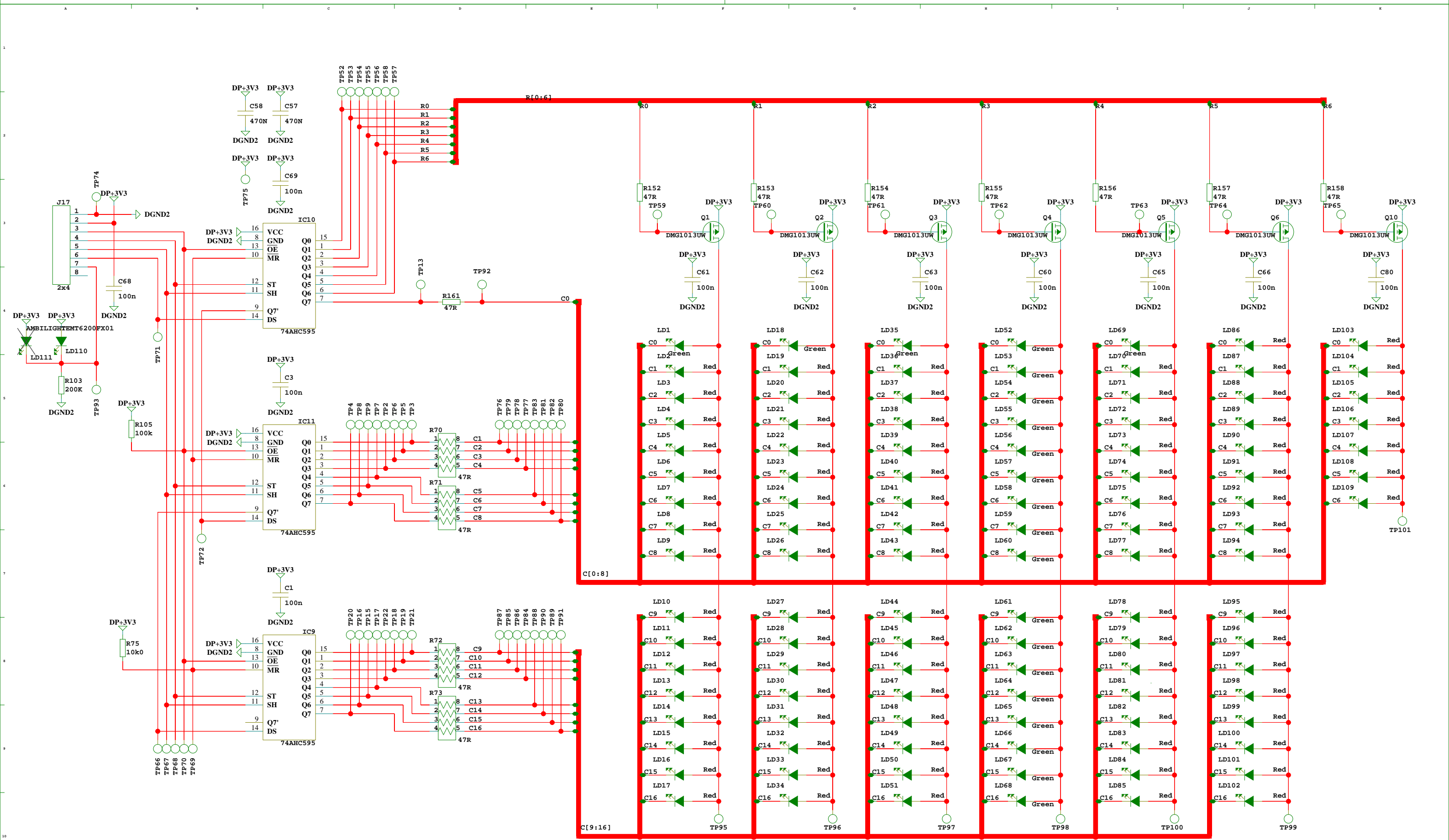
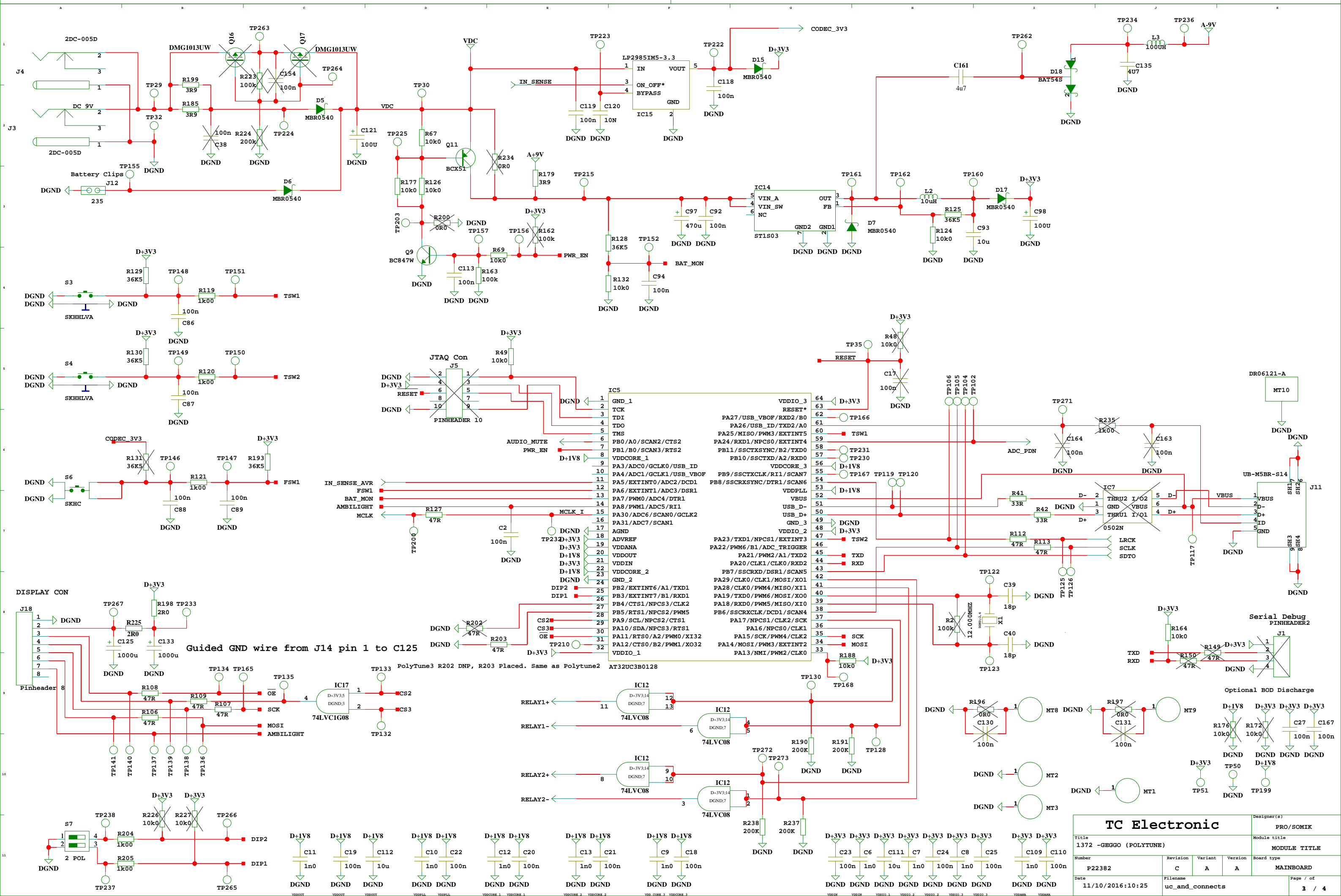


M1
 P22382-C

TC Electronic				Designer(s) PRO/SOMIK
Title 1372 -GEGGO (POLYTUNE)				Module title MODULE TITLE
Number P22382	Revision C	Variant A	Version A	Board type MAINBOARD
Date 11/10/2016:10:24	Filename			Page / of 1 / 4



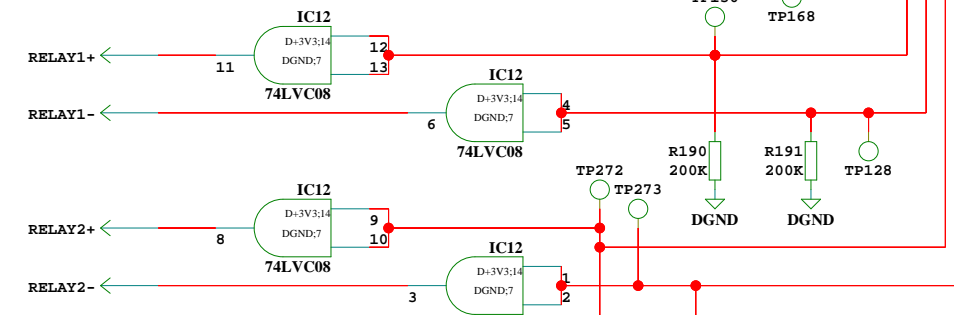
TC Electronic				Designer(s)	PRO/SOMIK
Title 1372 -GEGGO (POLYTUNE)				Module title MODULE TITLE	
Number P22382	Revision C	Variant A	Version A	Board type MAINBOARD	
Date 11/10/2016:10:25	Filename leds_control			Page / of 2 / 4	



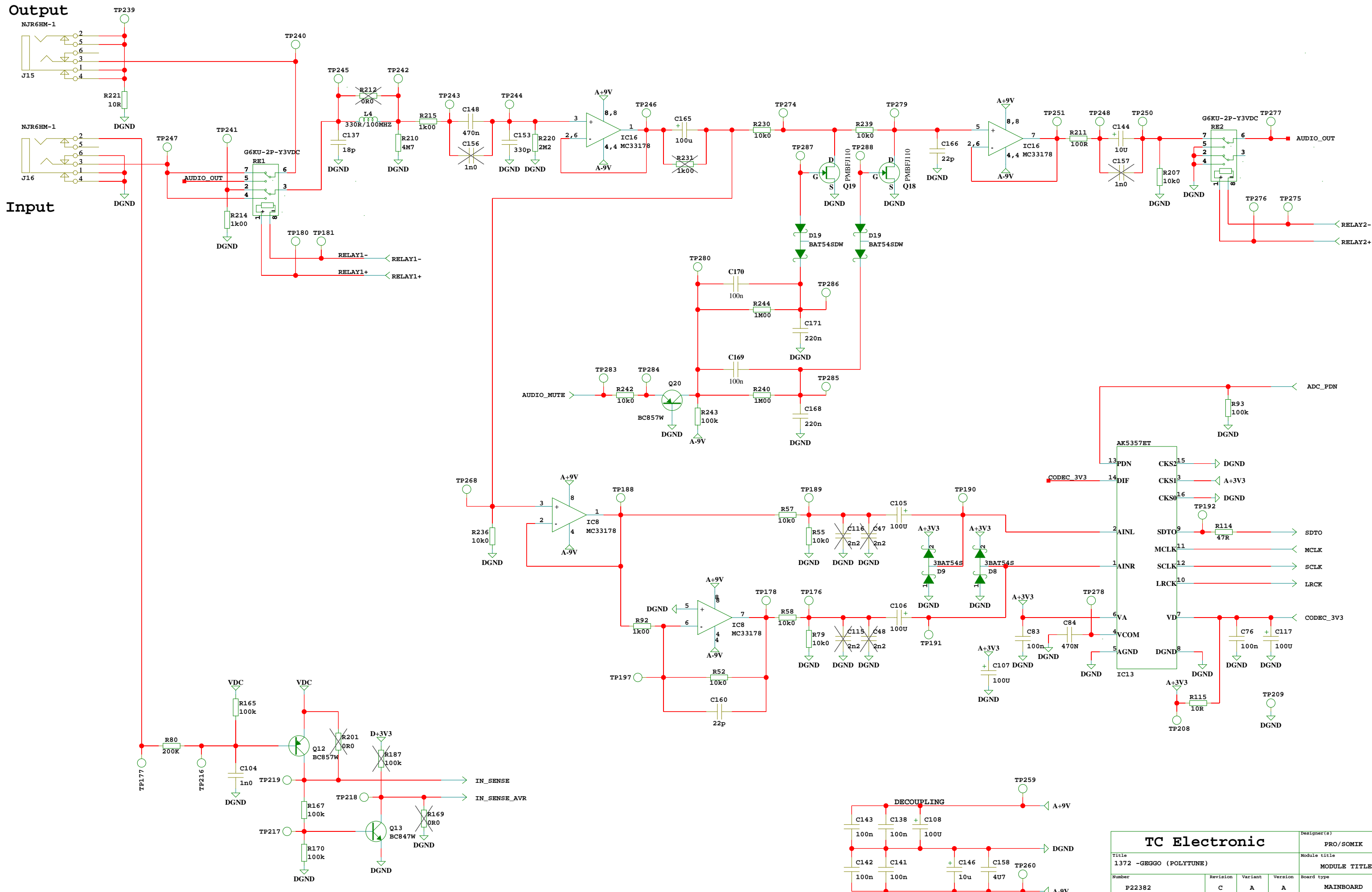
Guided GND wire from J14 pin 1 to C125

PolyTune3 R202 DNP, R203 Placed. Same as PolyTune2

AT32UC3B0128



TC Electronic				Designer(s)	PRO/SOMIK
Title 1372 -GEGGO (POLYTUNE)				Module title	MODULE TITLE
Number P22382				Revision	C
Date 11/10/2016:10:25				Variant	A
Filename uc_and_connects				Version	A
Page / of 1 / 4				Board type	MAINBOARD



TC Electronic				Designer(s)	PRO/SOMIK
Title				Module title	
1372 -GEGGO (POLYTUNE)				MODULE TITLE	
Number	Revision	Variant	Version	Board type	
P22382	C	A	A	MAINBOARD	
Date	Filename	Page / of			
11/10/2016:10:25	input	1 / 4			