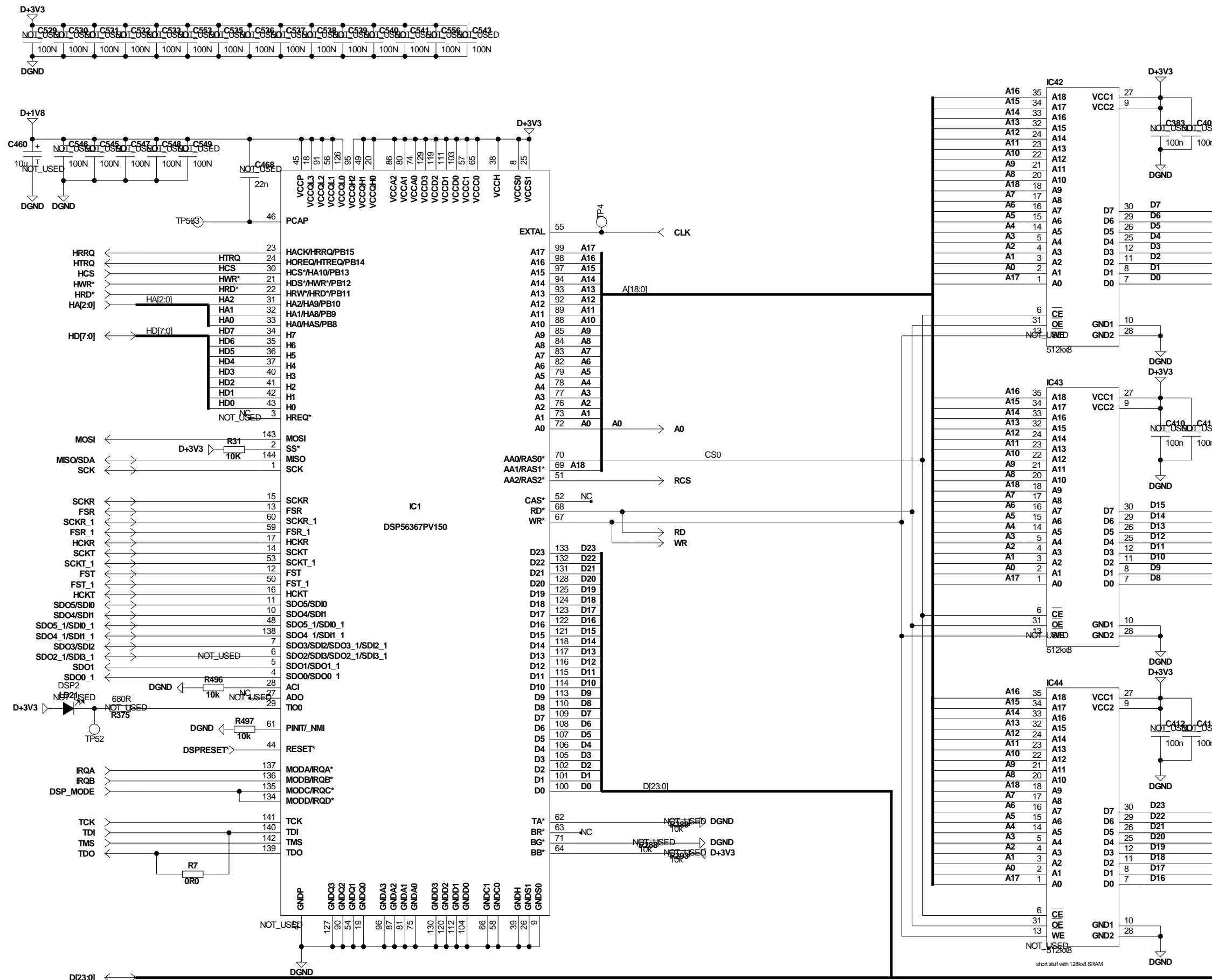
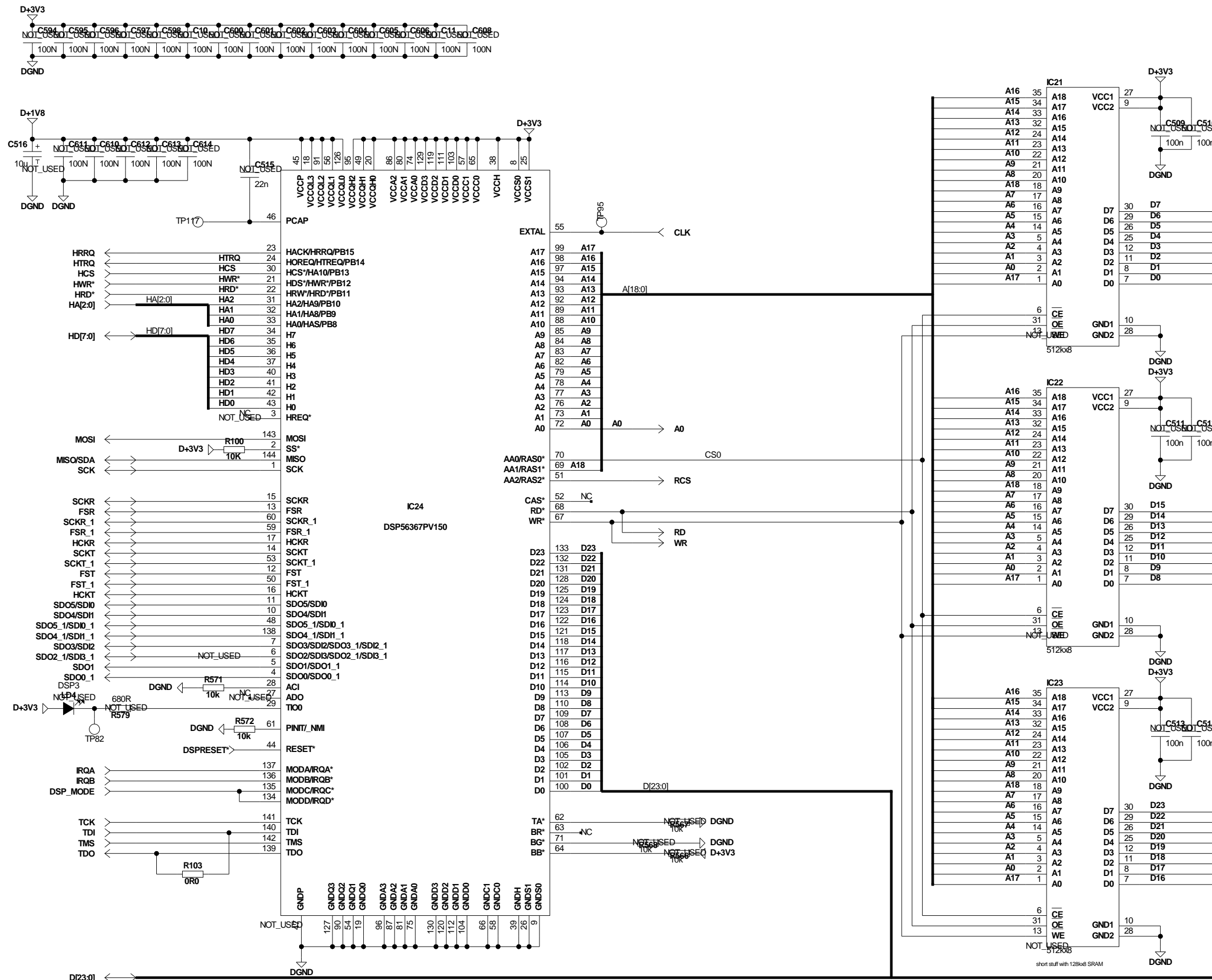
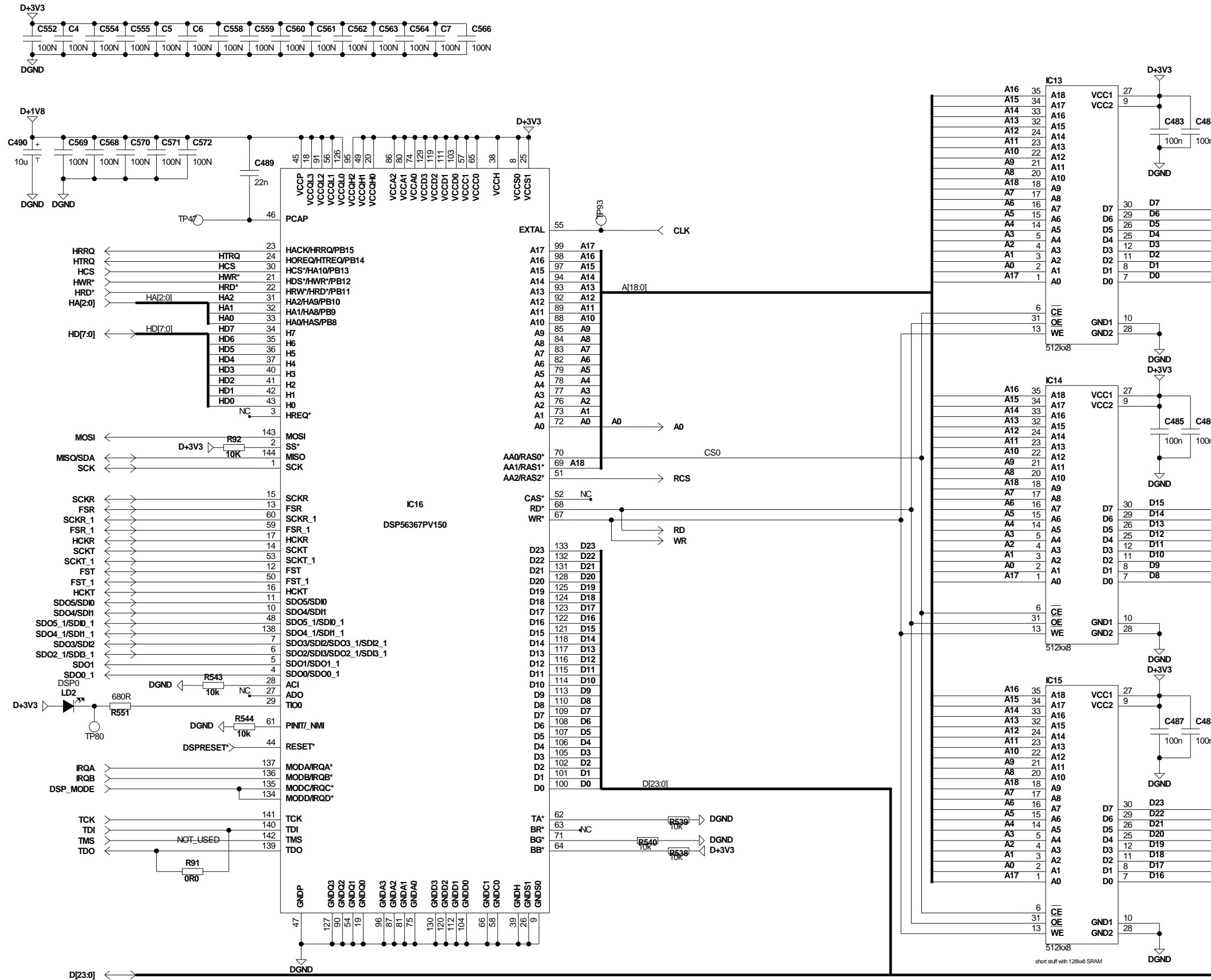


TC Electronic A/S		Designer MAR
Title POCO FW		Module title DSP
Number P17100	Revision FBA	Previous page 1
Date 3-5-2004_15:51	Filename	Page / of 10 / 10

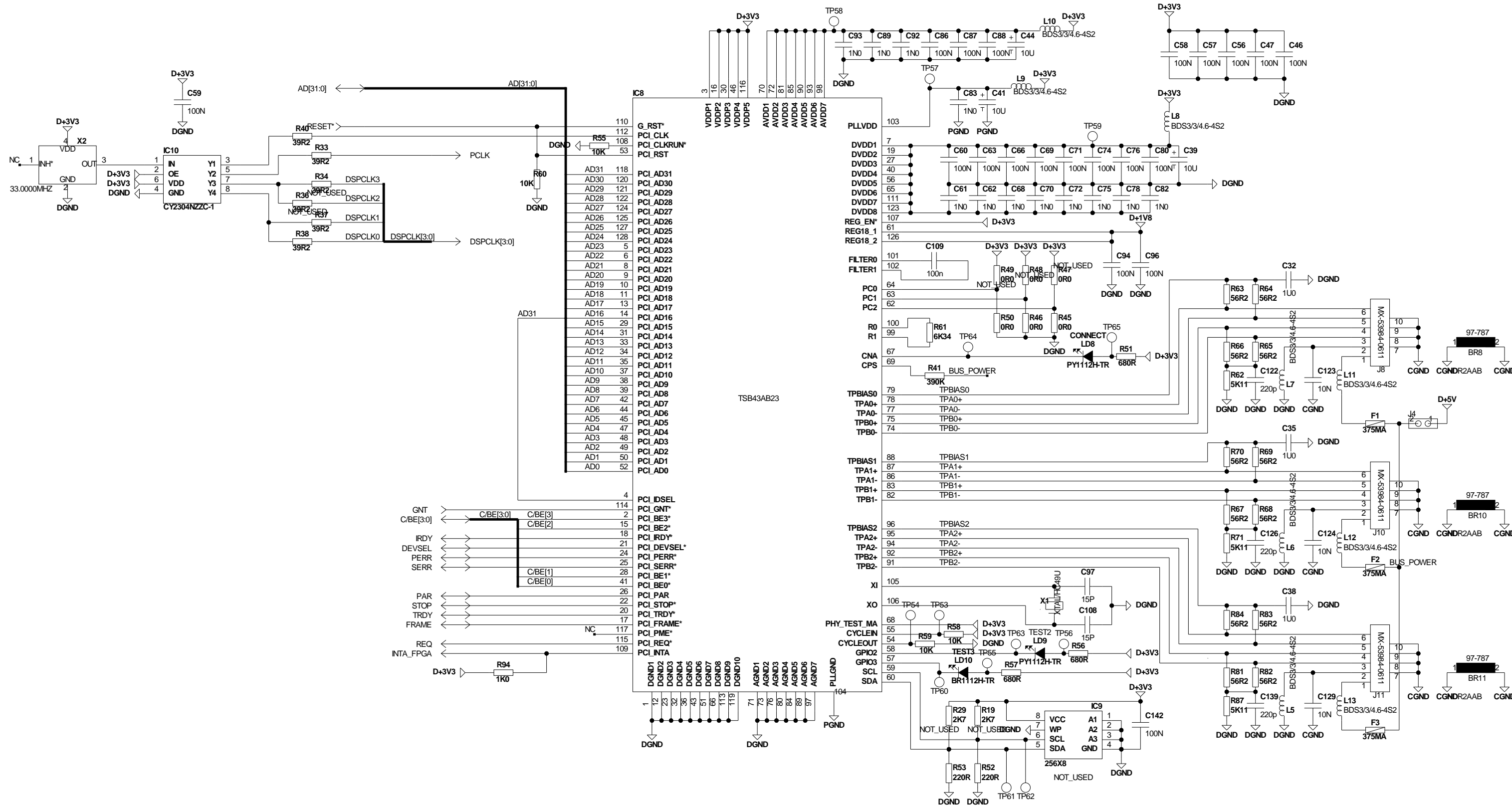




TC Electronic A/S		Designer
		MAR
Title	Module title	
POCO FW	DSP	
Number	Revision	Previous page
P17100	FBA	1
Date	Filename	Page / of
3-5-2004_15:51		10 / 10



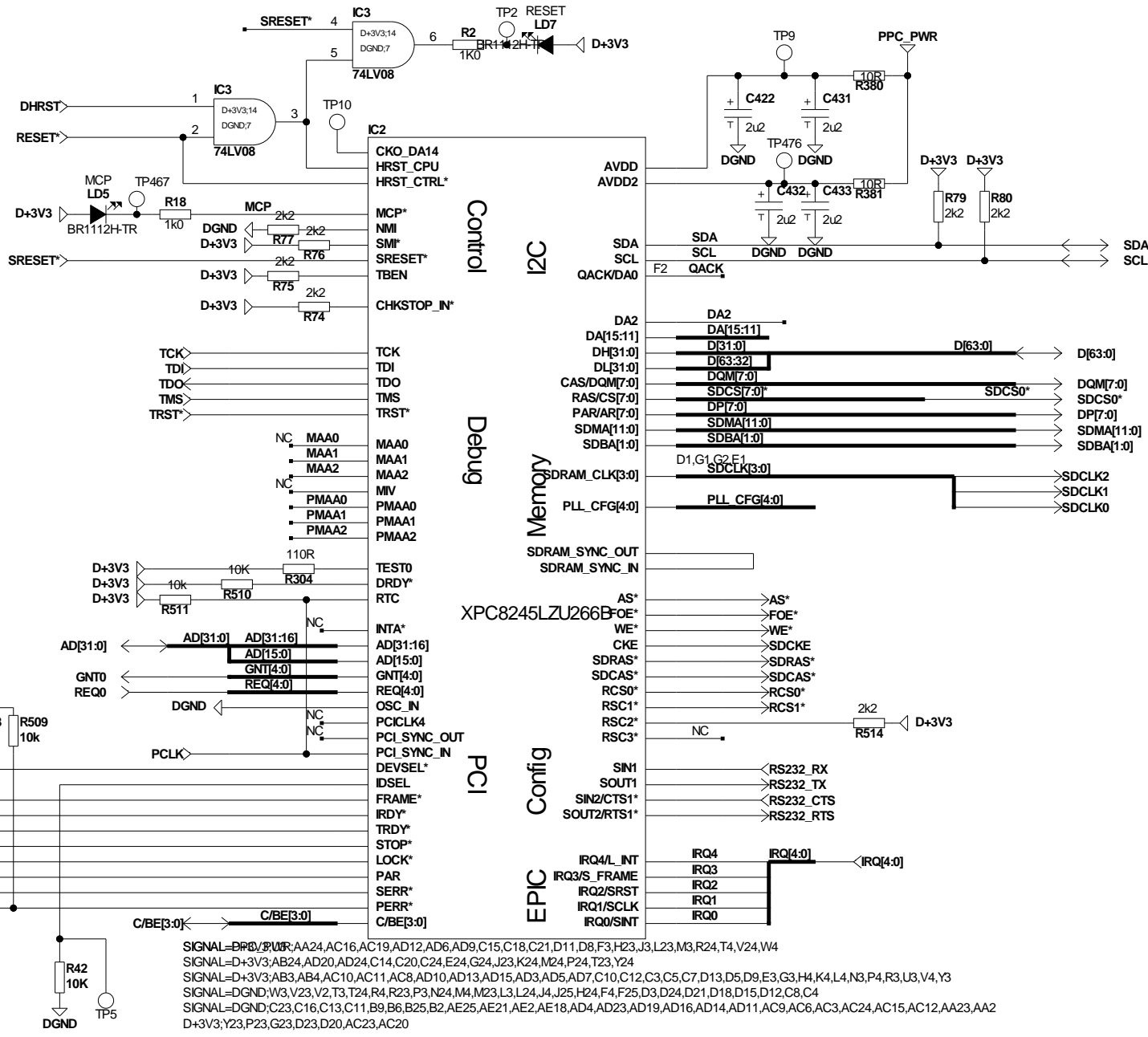
TC Electronic A/S		Designer
		MAR
Title	Module title	
POCO FW	DSP	
Number	Revision	Previous page
P17100	FBA	1
Date	Filename	Page / of
3-5-2004_15:51		10 / 10



TC Electronic A/S		Designer	MAR
Title		Module title	
POCO FW		FIREWIRE	
Number	Revision	Previous page	
P17100	FBA	1	
Date	Filename	Page / of	
3-5-2004_15:51		3 / 10	

Unconnected nets

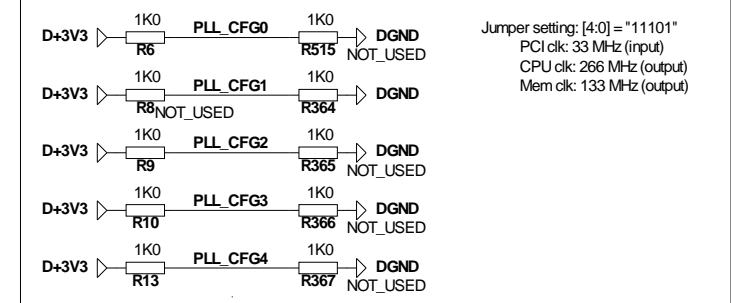
- SDCS1* NC
- SDCS2* NC
- SDCS3* NC
- SDCS4* NC
- SDCS5* NC
- SDCS6* NC
- SDCS7* NC
- GNT1 NC
- GNT2 NC
- GNT3 NC
- GNT4 NC
- REQ1 NC
- REQ2 NC
- REQ3 NC
- REQ4 NC
- SDCLK3 NC
- SDMA11 NC
- DA2 NC
- DA15 NC
- DA14 NC
- DA13 NC
- DA12 NC
- DA11 NC



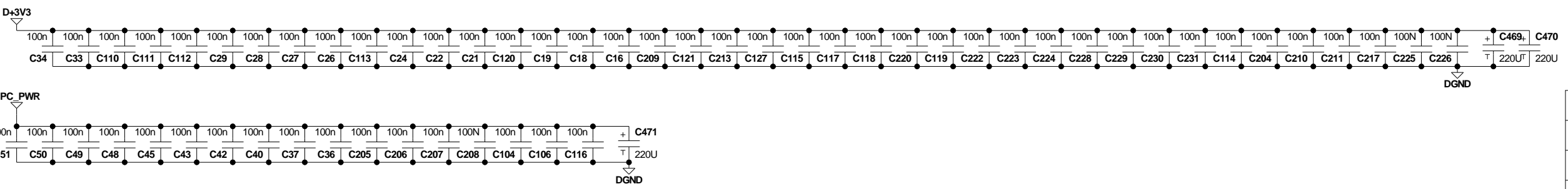
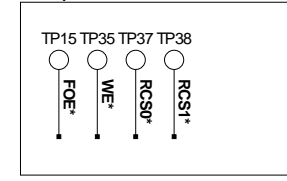
MPC8245 Reset configuration

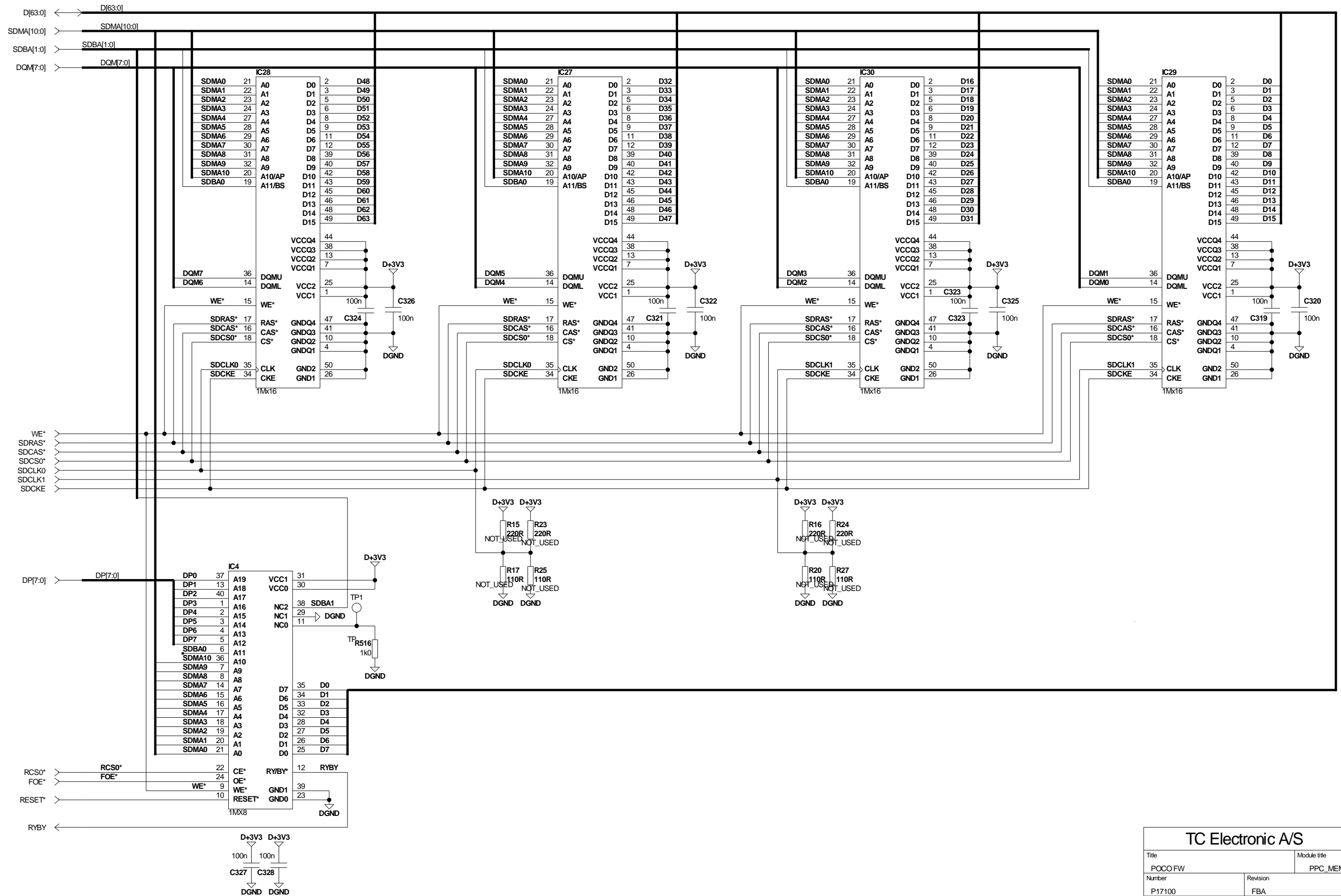
Pull-up	Netname	Pull-down	Function
Internal Pull-up	AS*		1: Peripheral logic Clock Output
	D32	R4 1k0 NOT_USED	11: 8 bit database For ROMFLASH chip select #0 (RCS0)
Internal Pull-up	FOE*		
Internal Pull-up	MAA0		1: The MPC8245 is configured for address map B
Internal Pull-up	MAA1	R3 1k0 NOT_USED	1: MPC8245 is a PCI master (host) device
	MAA2	R5 1k0	0: PCI arbiter enabled
LED pull-up	MCP		PCI output hold delay value
Internal Pull-up	SDCKE		
Internal Pull-up	PMAA0	R26 1k0	Driver capability for the memory signals 0: 40 Ohm drive capability
Internal Pull-up	PMAA1	R72 1k0 NOT_USED	
	PMAA2	R73 1k0	Driver capability for the PCI and EPIC controller output signals. 0: 40 Ohm drive capability on PCIe/EPIC signals
Internal Pull-up	QACK	R78 1k0 NOT_USED	1: No clock flip
Internal Pull-up	RCS0*	R14 1k0 NOT_USED	1: Boot ROM is located on local processor/memory data bus.
Internal Pull-up	GNT4		1: Debug address disabled
Internal Pull-up	SDMA0	R512 1k0	0: DUART unit signals enabled
	SDMA1	R513 1k0 NOT_USED	1: Extended addressing mode disabled. SRESET, TBEN, CHKSTOP_IN, TRIG_IN, and TRIG_OUT available.

PLL configuration

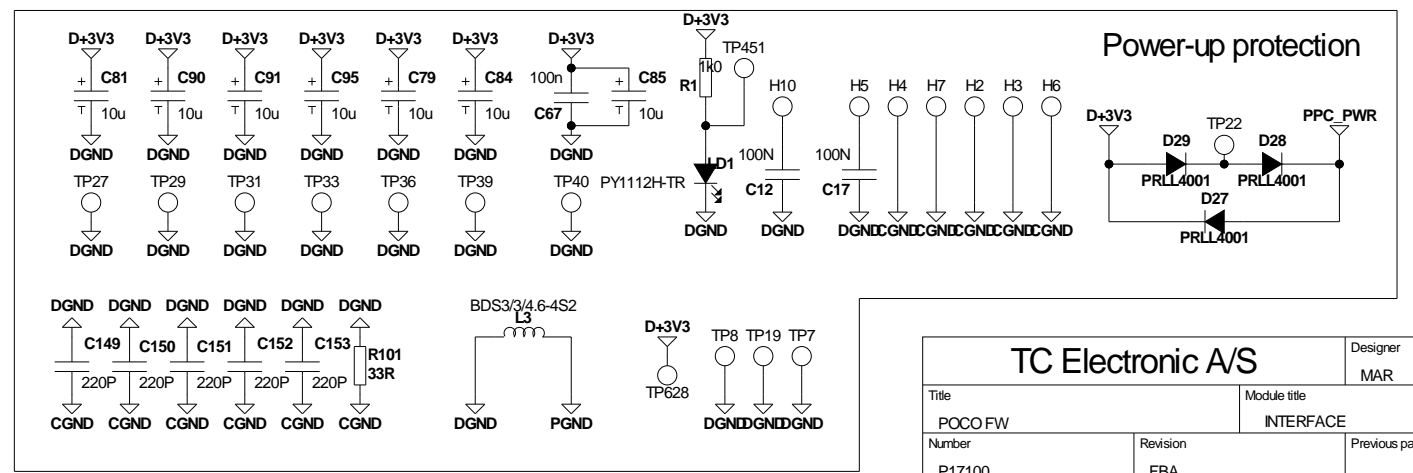
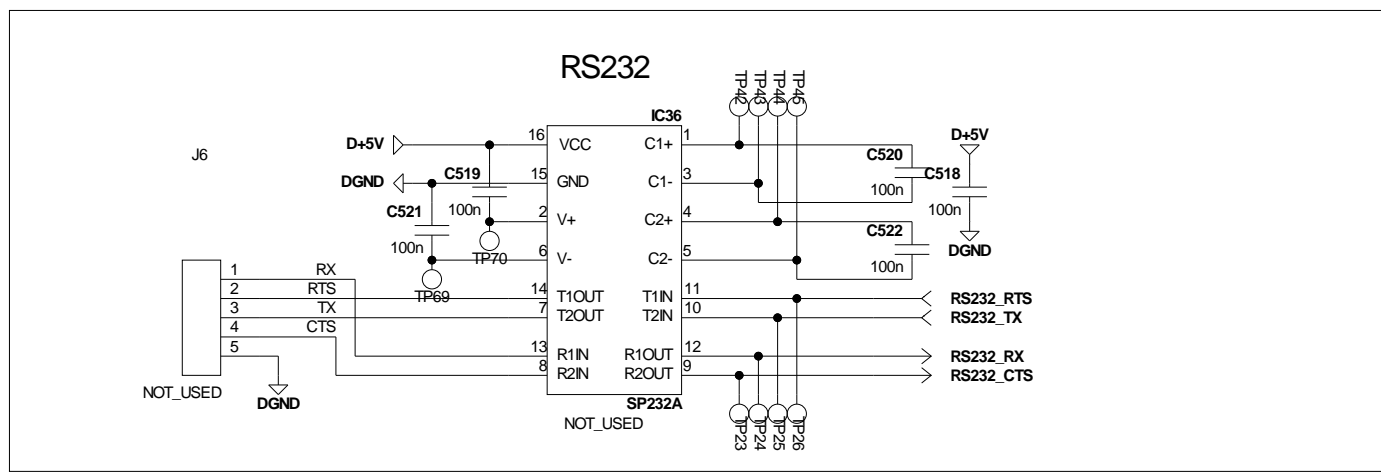
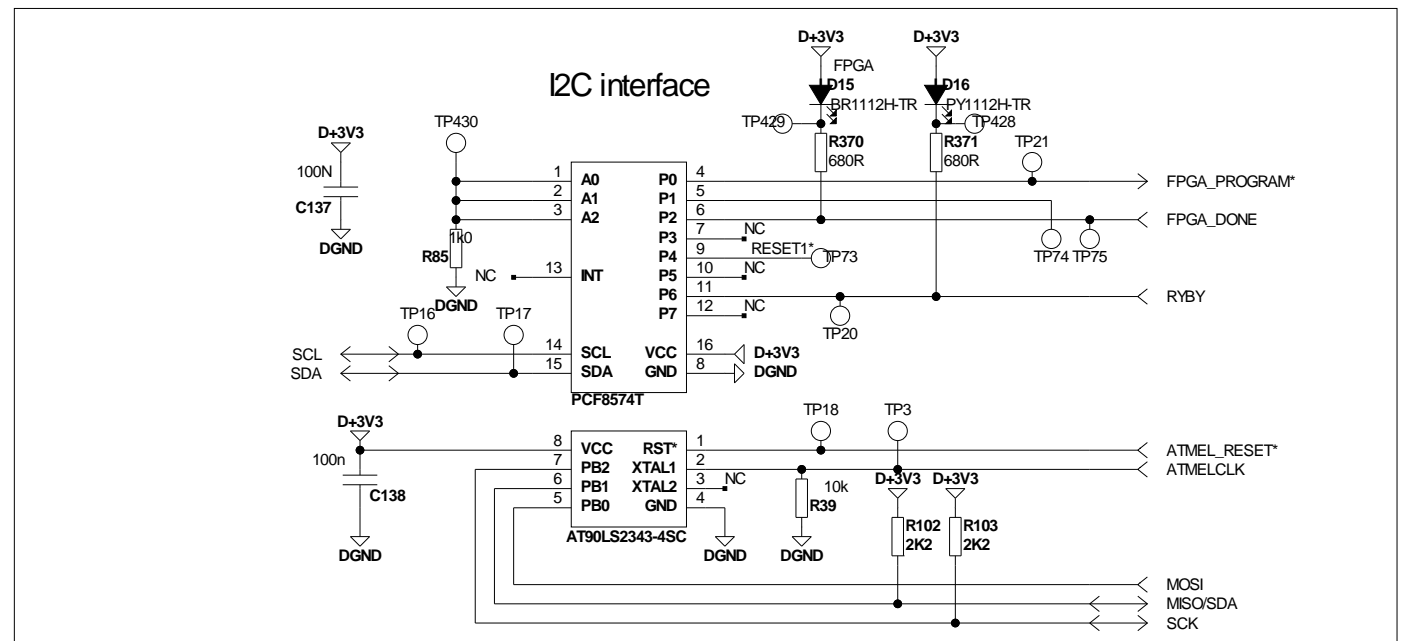
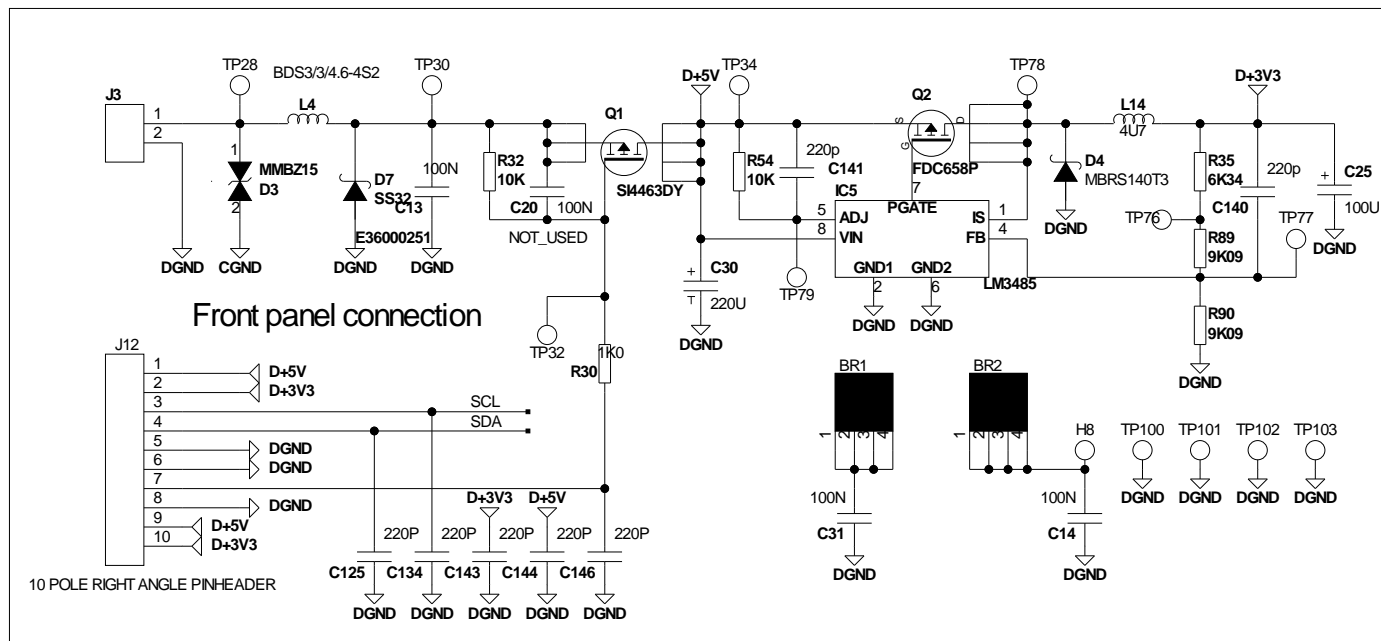
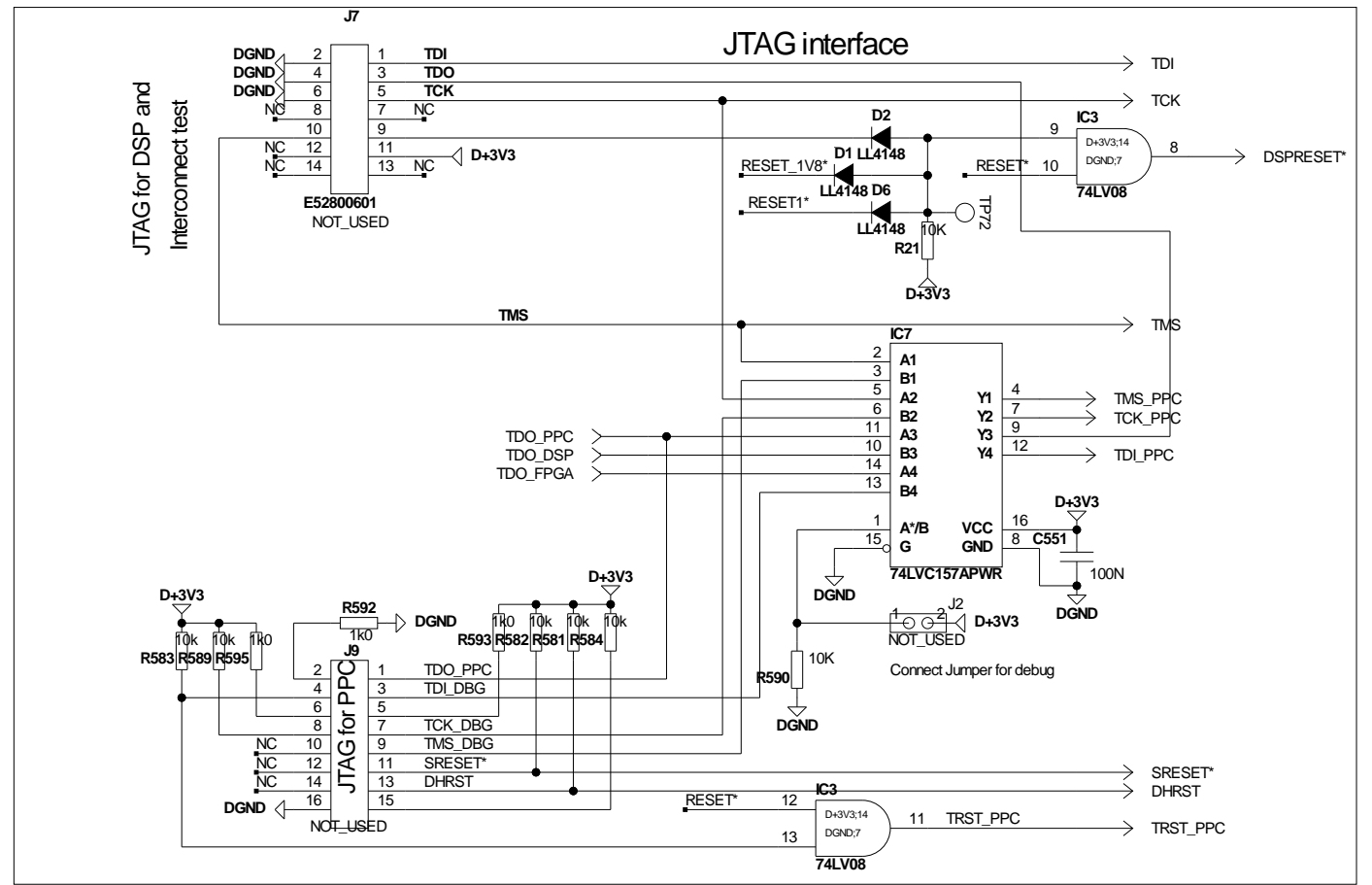
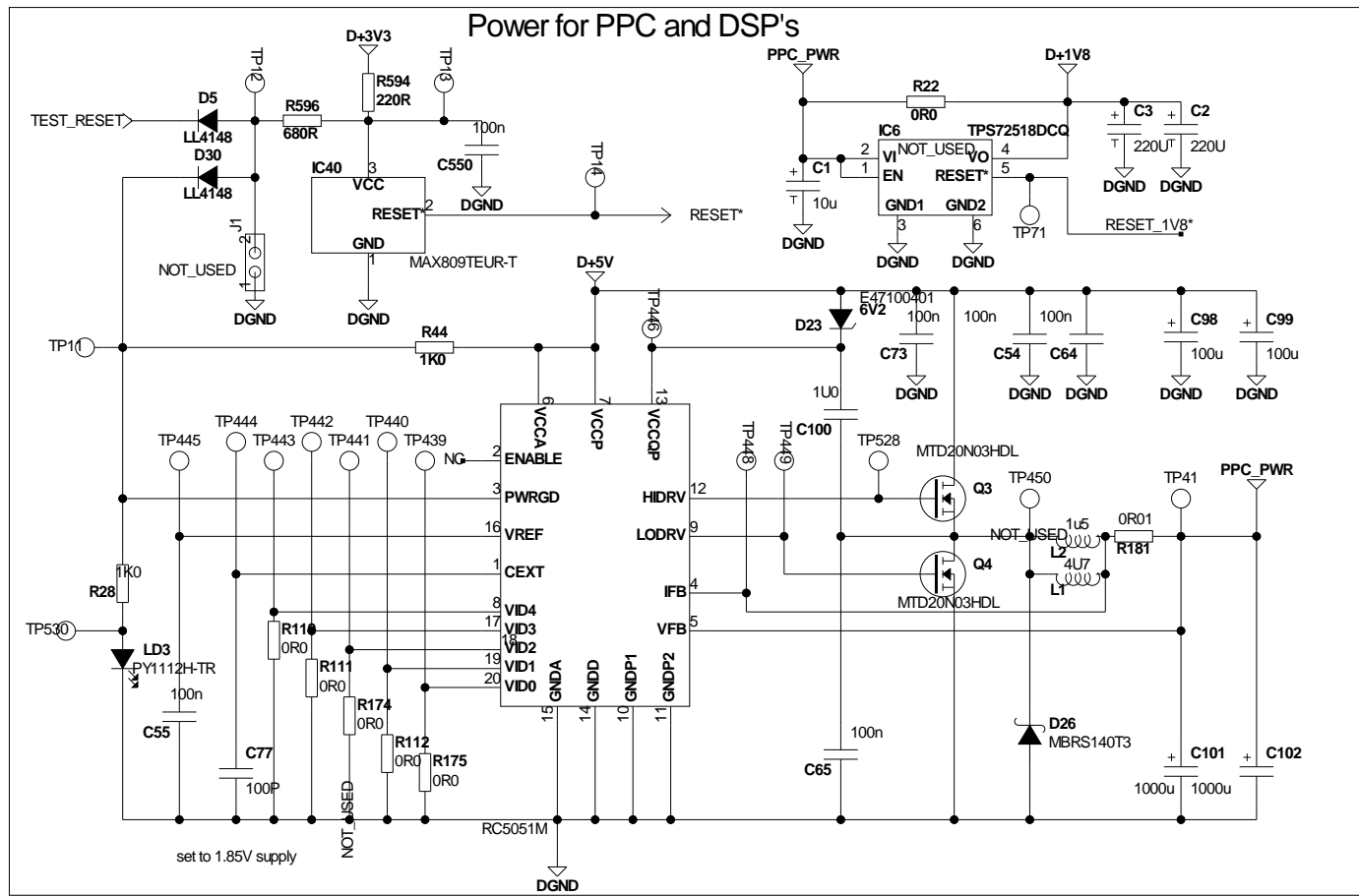


Testpoints





TC Electronic A/S		Designer MAR
Title POCO FW	Module title PPC_MEM	
Number P17100	Revision FBA	Previous page 1
Date 3-5-2004_15:51	Filename	Page / of 5 / 10



TC Electronic A/S		Designer MAR
Title PCCO FW	Module title INTERFACE	
Number P17100	Revision FBA	Previous page 1
Date 3-5-2004 15:51	Filename	Page / of