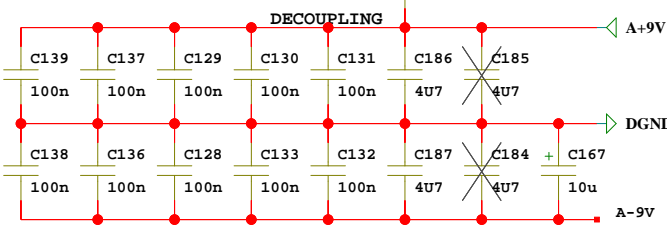
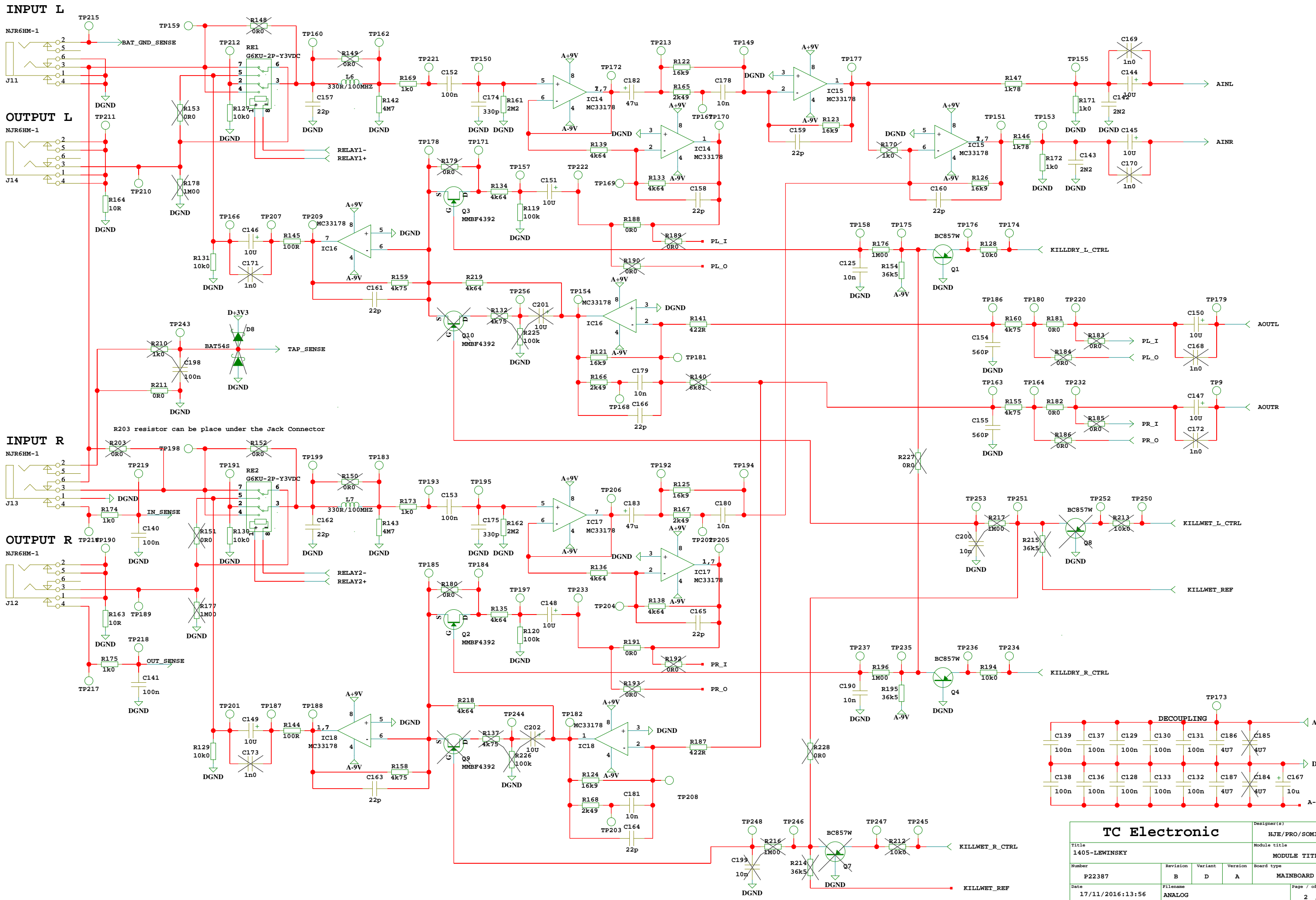
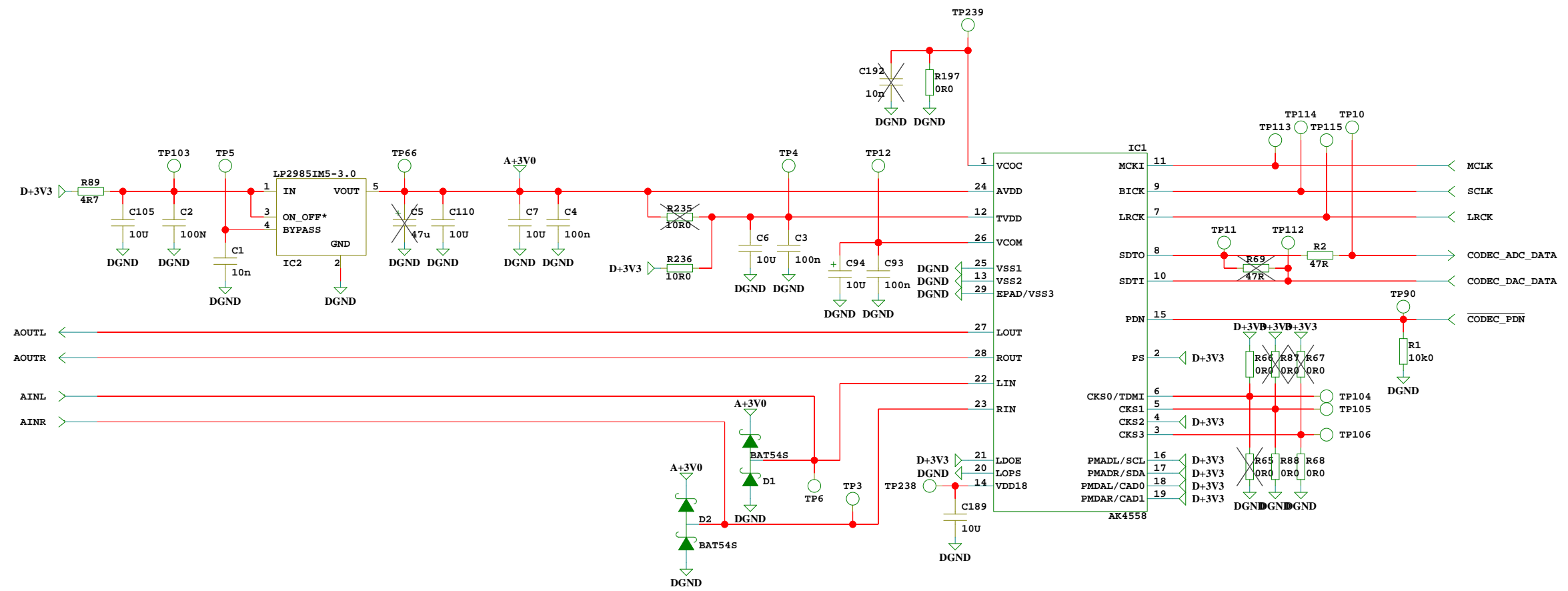


M1  
 P22387-B  
 pcb

<b>TC Electronic</b>				Designer(s) HJE/PRO/SOMIK
Title 1405-LEWINSKY				Module title MODULE TITLE
Number P22387	Revision B	Variant D	Version A	Board type MAINBOARD
Date 17/11/2016:13:56	Filename			Page / of 1 / 5

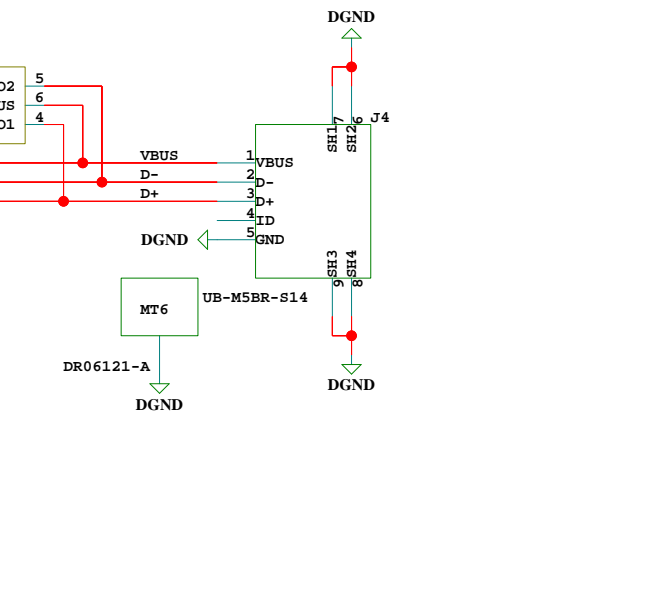
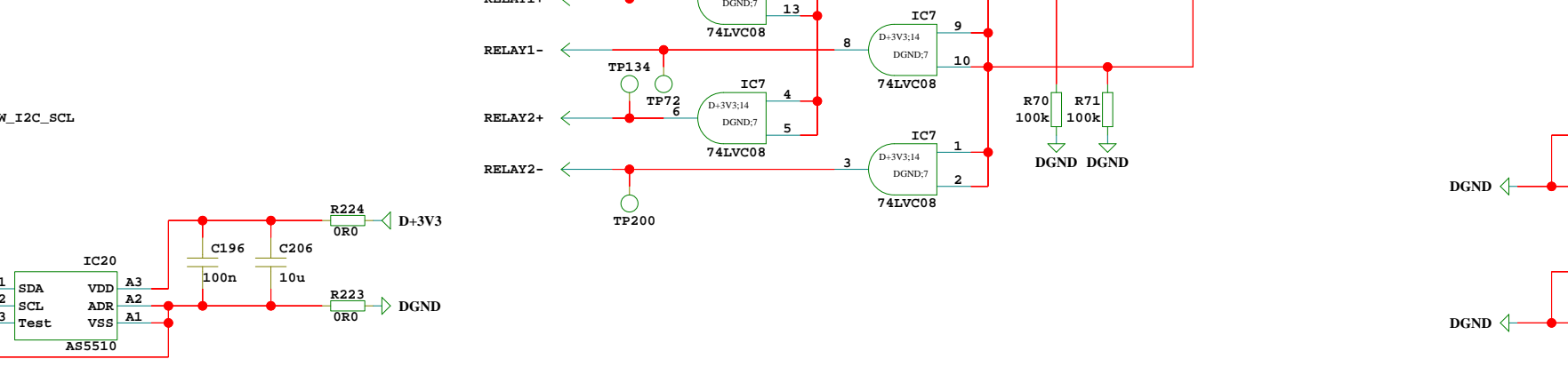
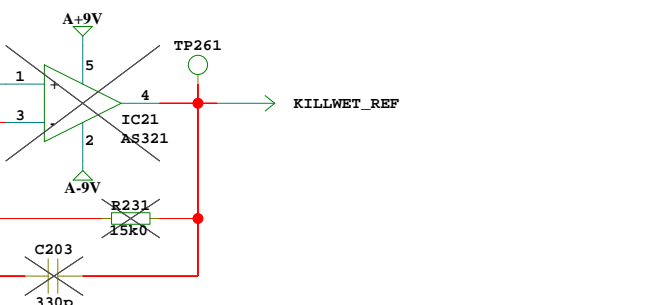
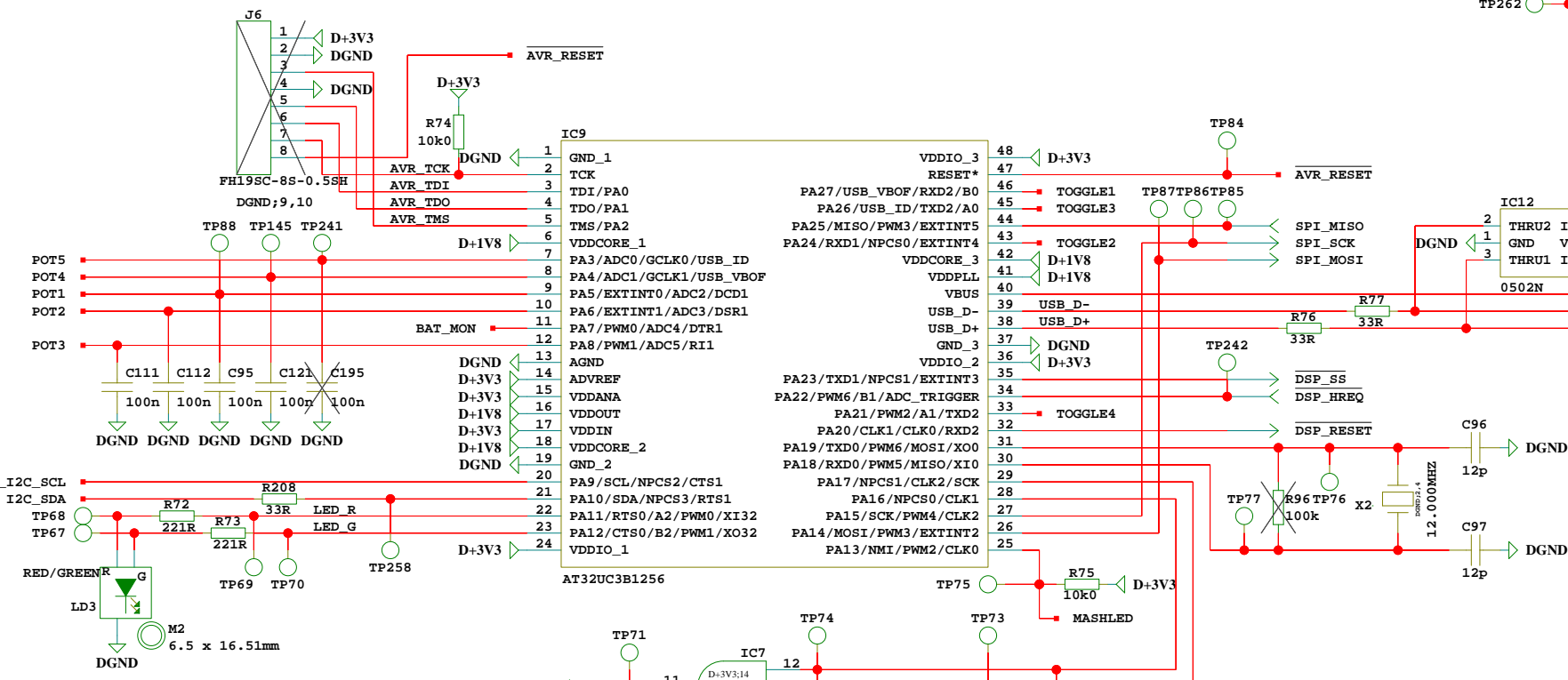
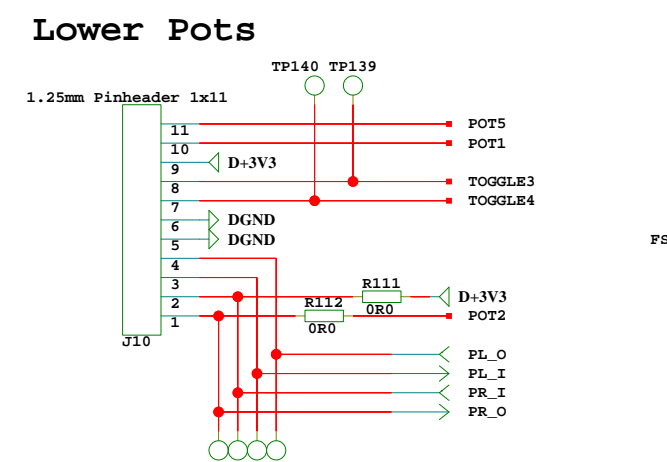
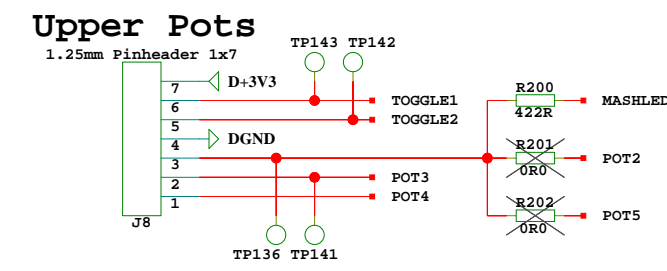
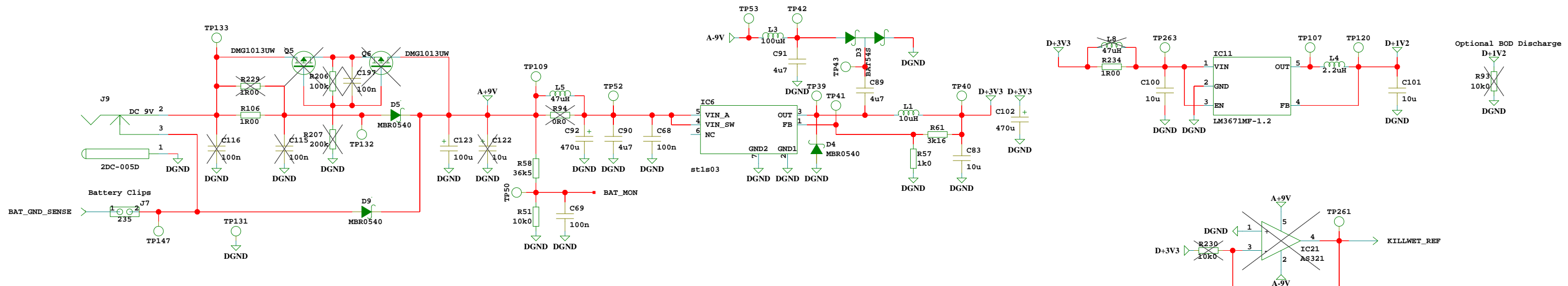


<b>TC Electronic</b>				Designer(s)	HJE/PRO/SOMIK
Title				Module title	
1405-LEWINSKY				MODULE TITLE	
Number	Revision	Variant	Version	Board type	
P22387	B	D	A	MAINBOARD	
Date	Filename			Page / of	
17/11/2016:13:56	ANALOG			2 / 5	



<b>TC Electronic</b>				Designer(s)	HJE/PRO/SOMIK
Title 1405-LEWINSKY				Module title MODULE TITLE	
Number P22387	Revision B	Variant D	Version A	Board type MAINBOARD	
Date 17/11/2016:13:56	Filename codec			Page / of 3 / 5	





<p style="text-align: center;">Optional BOD Discharge</p>																									
<h2>TC Electronic</h2>																									
Title: 1405-LEWINSKY Number: P22387 Date: 17/11/2016:13:56												Designer(s): HJE/PRO/SOMIK Module title: MODULE TITLE Board type: MAINBOARD Revision: B Variant: D Version: A Filename: uc_and_connects Page / of: 5 / 5													