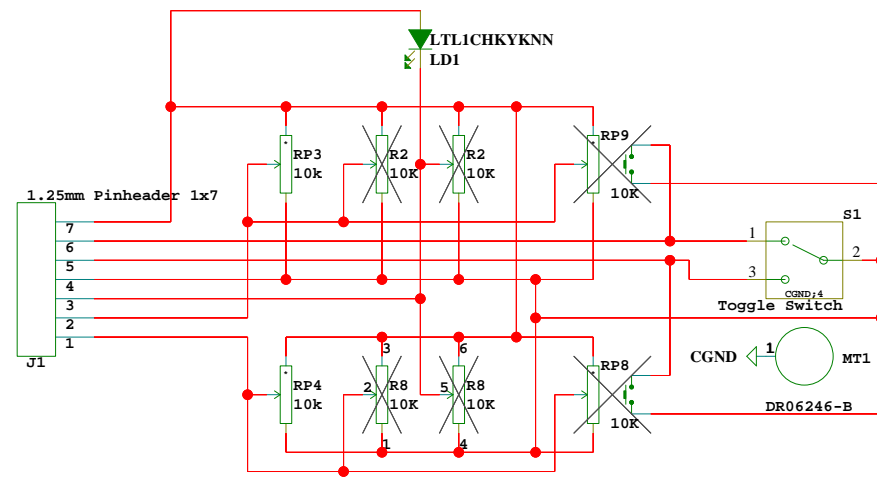


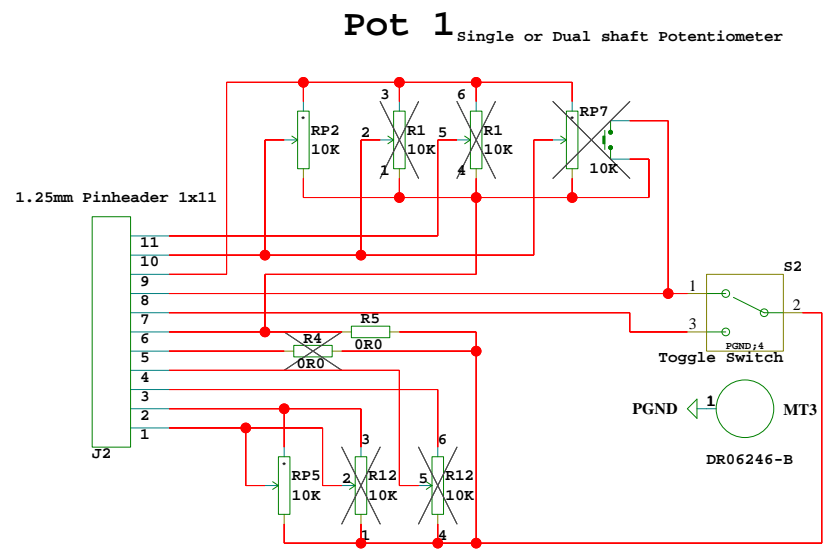
M1  
 P22392-A  
 PCB

<b>TC Electronic</b>				Designer(s) HJE/PRO/SOMIK
Title 1405 - LEWINSKY UI BOARD				Module title MODULE TITLE
Number P22392	Revision A	Variant C	Version A	Board type POTENTIOMETERBOARD
Date 17/11/2016:13:47	Filename P22390-D			Page / of 1 / 2

**Pot 3** Single or Dual shaft Potentiometer



**Pot 4** Single or Dual shaft Potentiometer



**Pot 2** Single Deck or Stereo Level Potentiometer

**Pot 1** Single or Dual shaft Potentiometer

<b>TC Electronic</b>				Designer(s) HJE/PRO/SOMIK
Title 1405 - LEWINSKY UI BOARD				Module title MODULE TITLE
Number P22392	Revision A	Variant C	Version A	Board type POTENTIOMETERBOARD
Date 17/11/2016:13:47	Filename Pots			Page / of 2 / 2