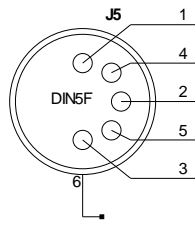
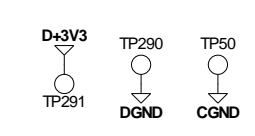
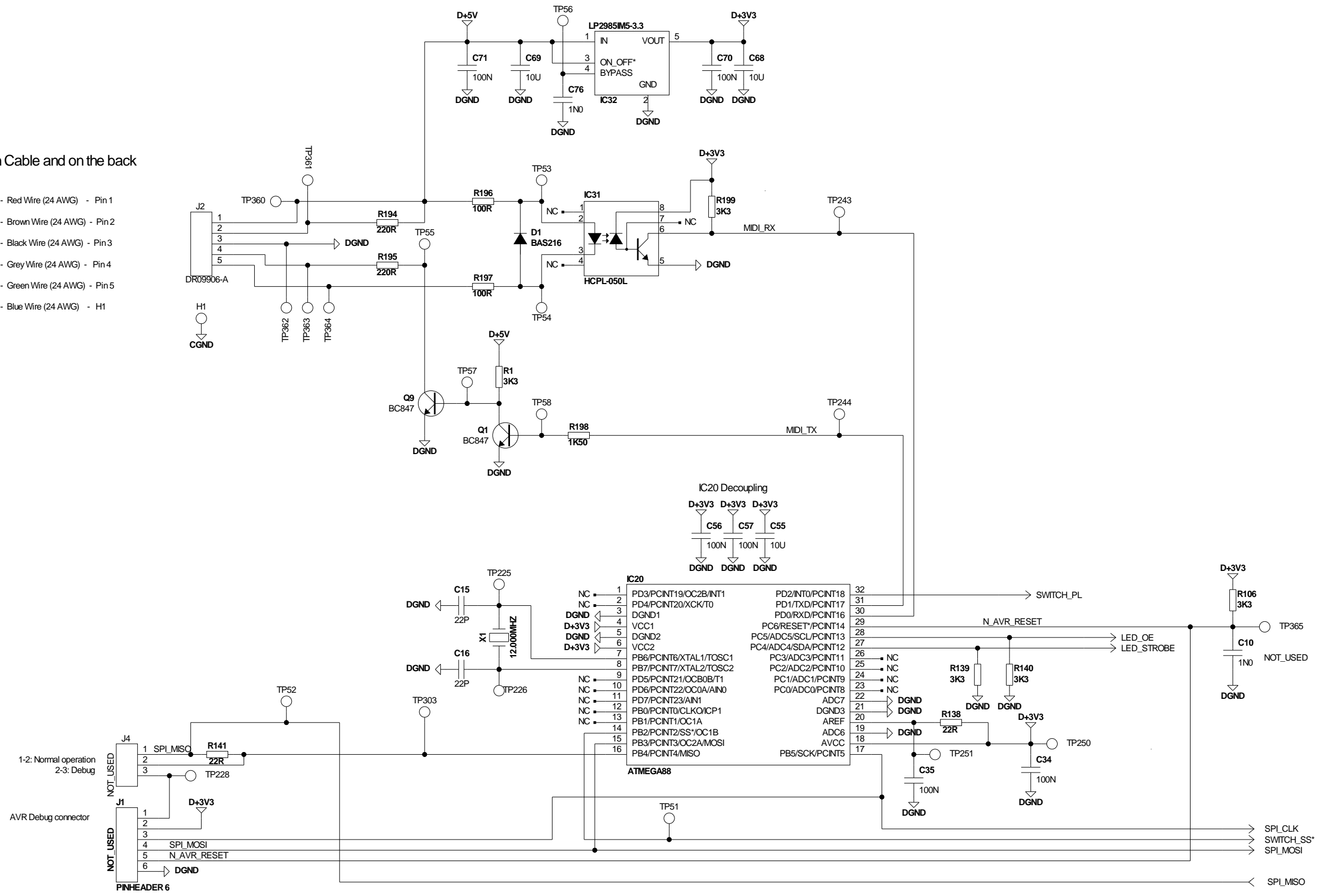


TC Electronic A/S		Designer HJE
Title DIRCH REMOTE		Module title OVERVIEW
Number P18581	Revision BAE	Previous page XX
Date 17-12-2008 12:08	Filename P18581-B	Page / of XX / 4

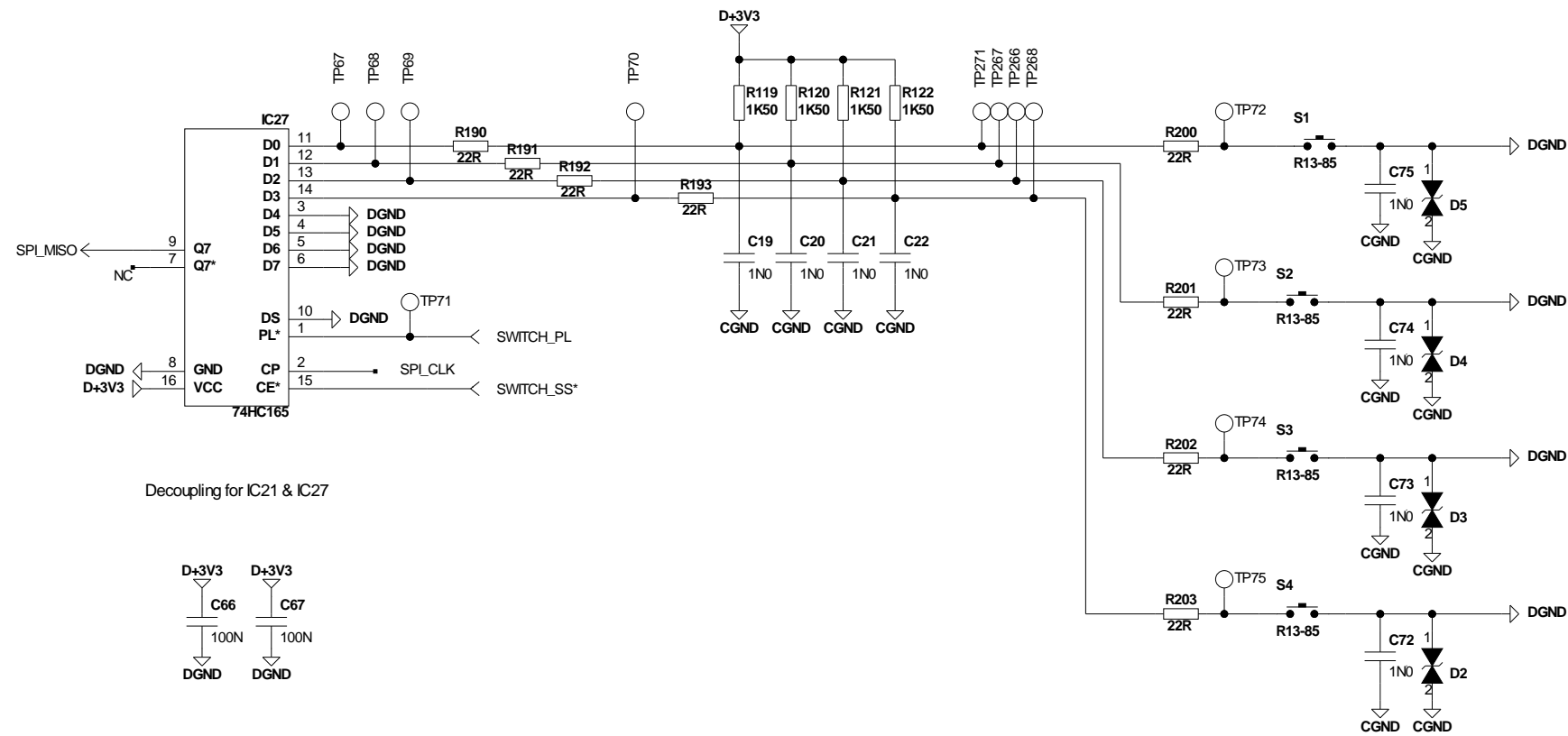
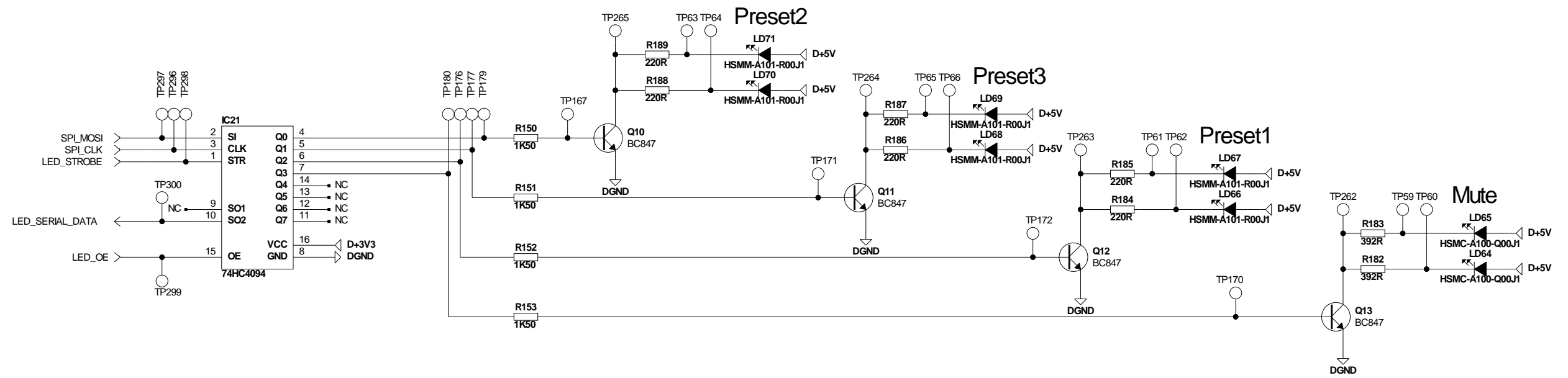
MIDI on Cable and on the back



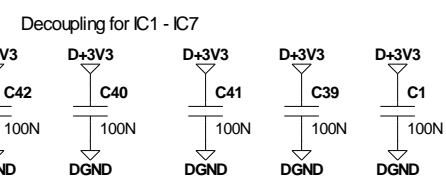
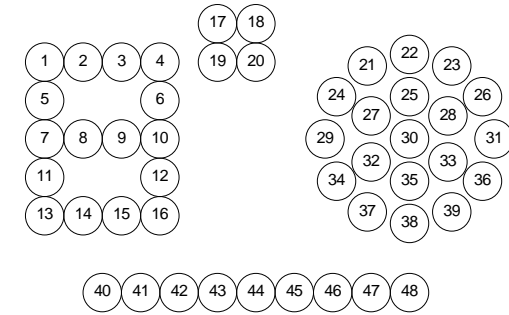
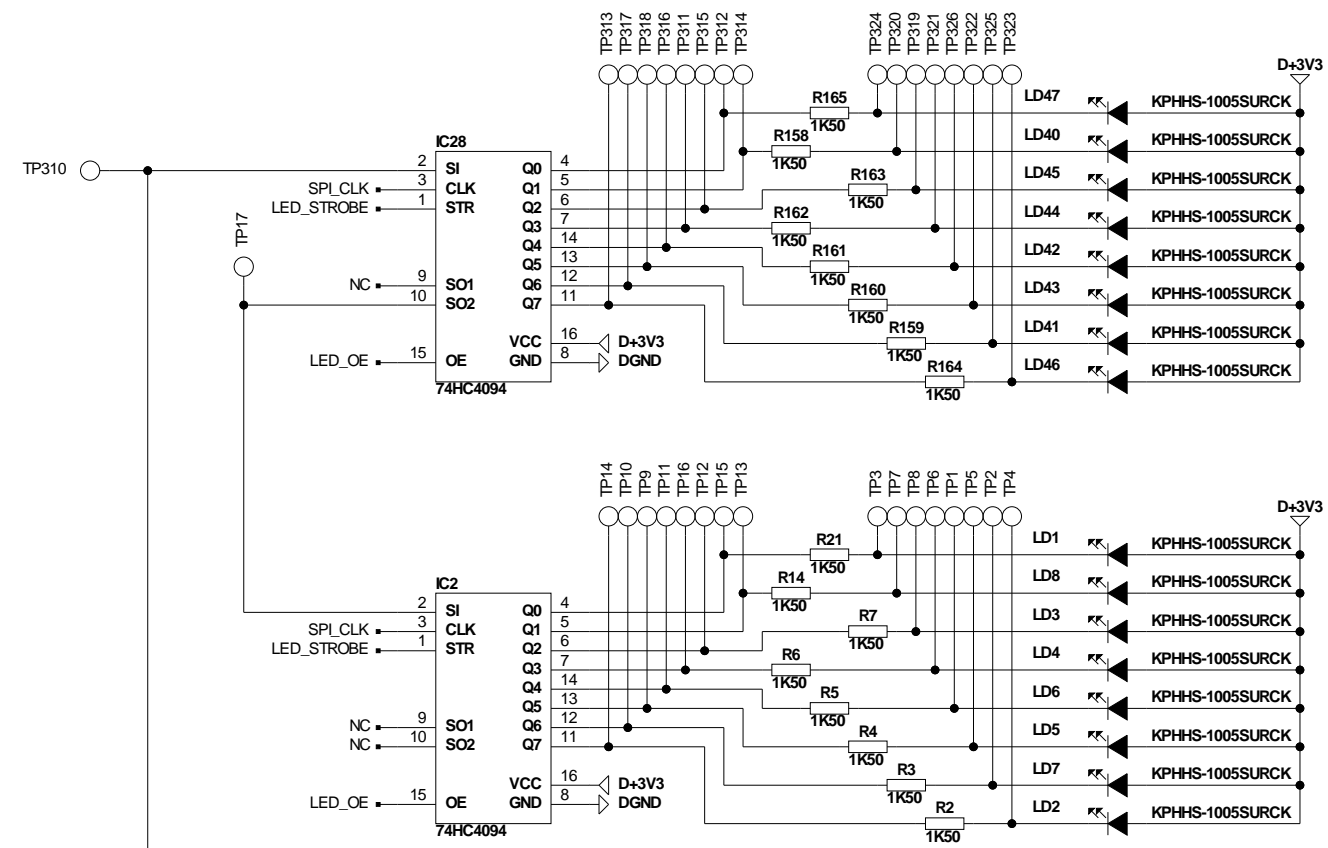
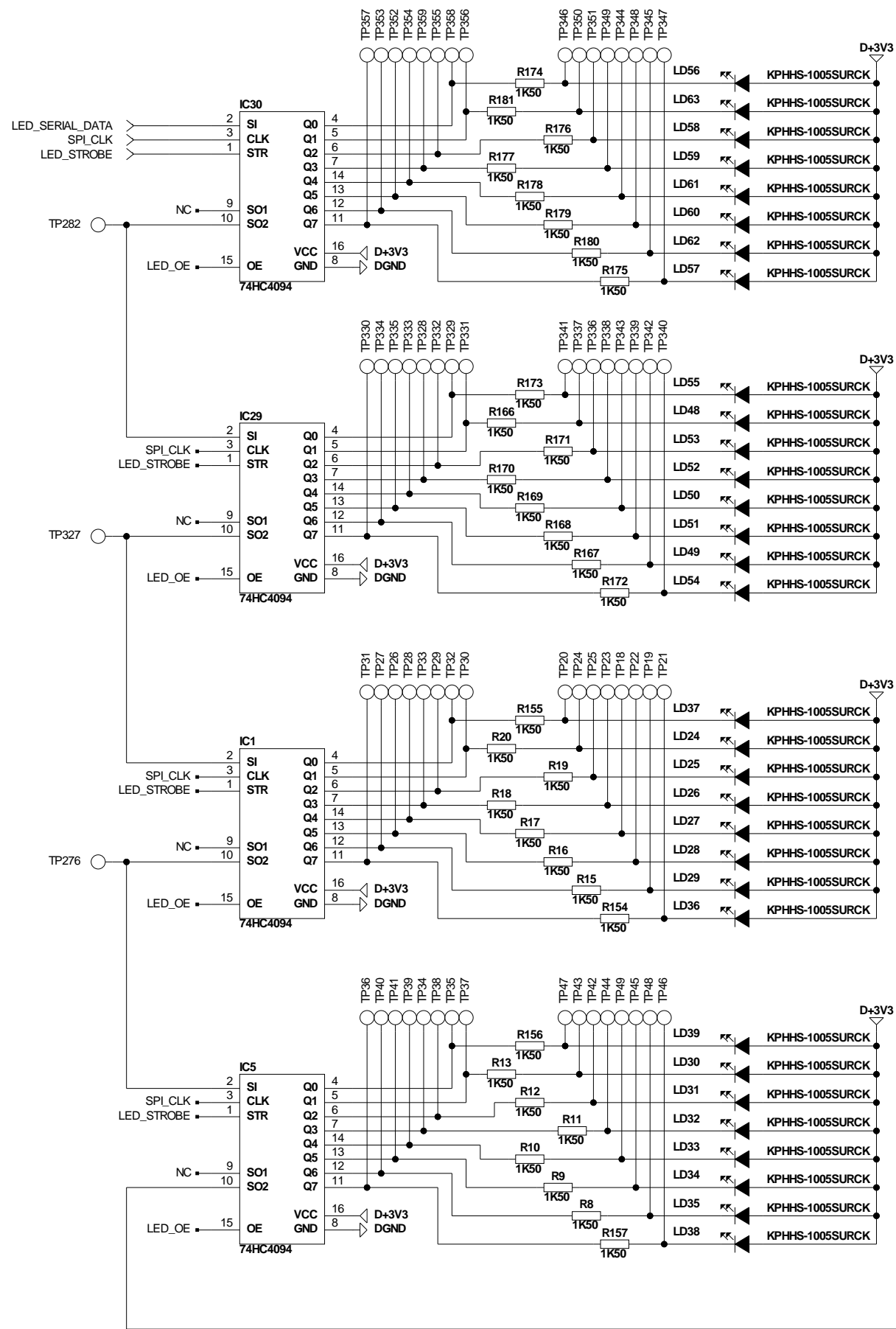
- Pin 1 - Red Wire (24 AWG) - Pin 1
- Pin 4 - Brown Wire (24 AWG) - Pin 2
- Pin 2 - Black Wire (24 AWG) - Pin 3
- Pin 5 - Grey Wire (24 AWG) - Pin 4
- Pin 3 - Green Wire (24 AWG) - Pin 5
- Pin 6 - Blue Wire (24 AWG) - H1



TC Electronic A/S		Designer HJE
Title DIRCH REMOTE		Module title UC & CONNECTORS
Number P18581	Revision BAE	Previous page XX
Date 17-12-2008 12:08	Filename UC_AND_CONNECTS	Page / of 1 / 4



TC Electronic A/S		Designer HJE
Title DIRCH REMOTE		Module title FOOTSWITCHES
Number P18581	Revision BAE	Previous page XX
Date 17-12-2008 12:10	Filename FOOTSWITCHES	Page / of 1 / 4



TC Electronic A/S		Designer HJE
Title DIRCH REMOTE		Module title LEDS CONTROL
Number P18581	Revision BAE	Previous page XX
Date 17-12-2008 12:08	Filename LEDS_CONTROL	Page / of 3 / 4