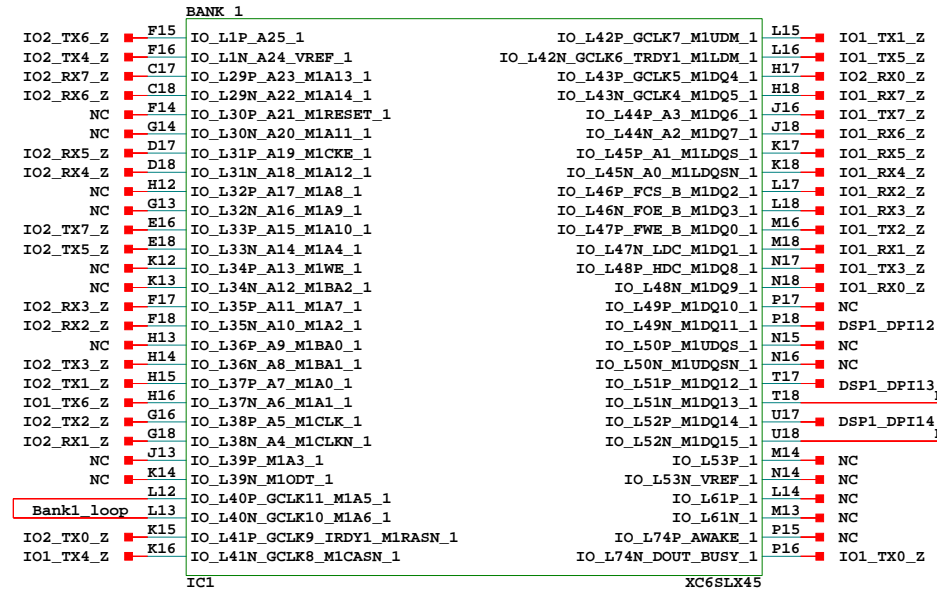
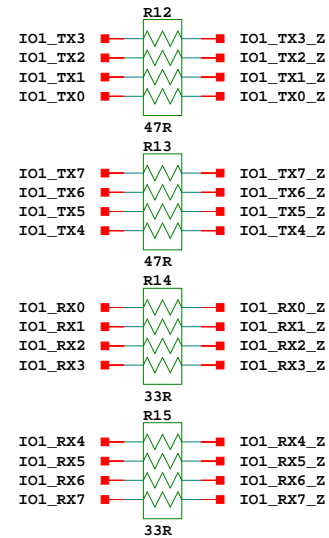
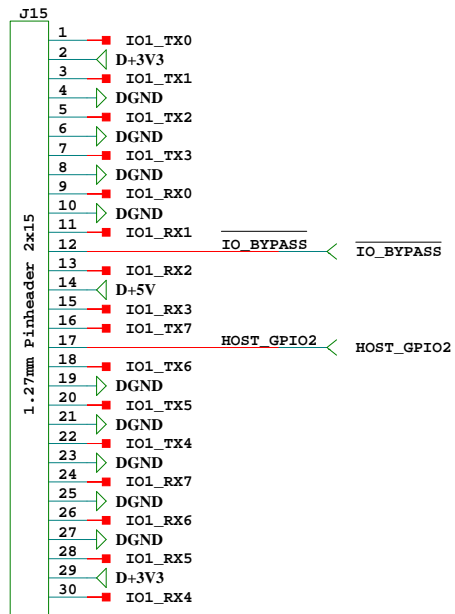


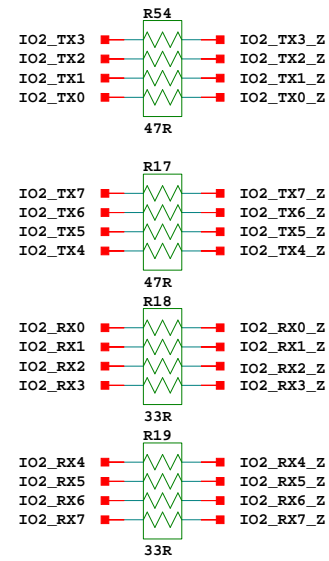
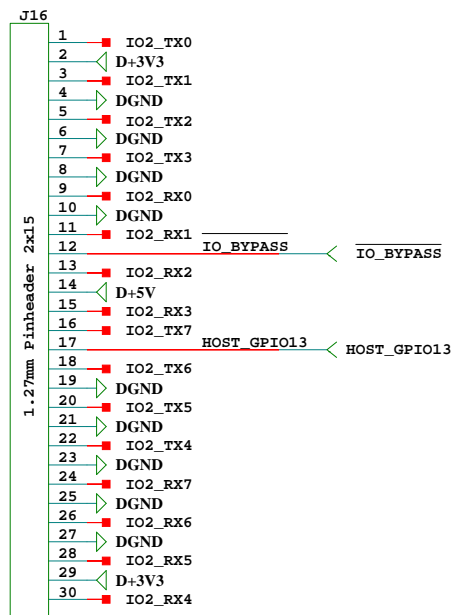
M1
P56087-A

				Designer(s)
1355 - MIDI FPGA MADI - NO PLL2				MC/MFA
P56087				Module title
A A B				TOP
15/06/2015:11:00				Board type
P56082-A				TOKYO I/O
1 / 6				Page / of

FRONT-END BOARD CONN. 1

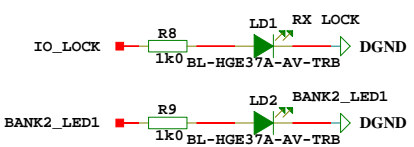
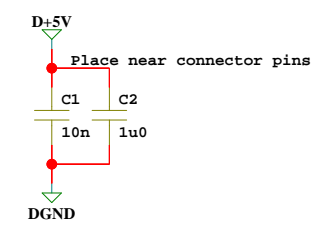
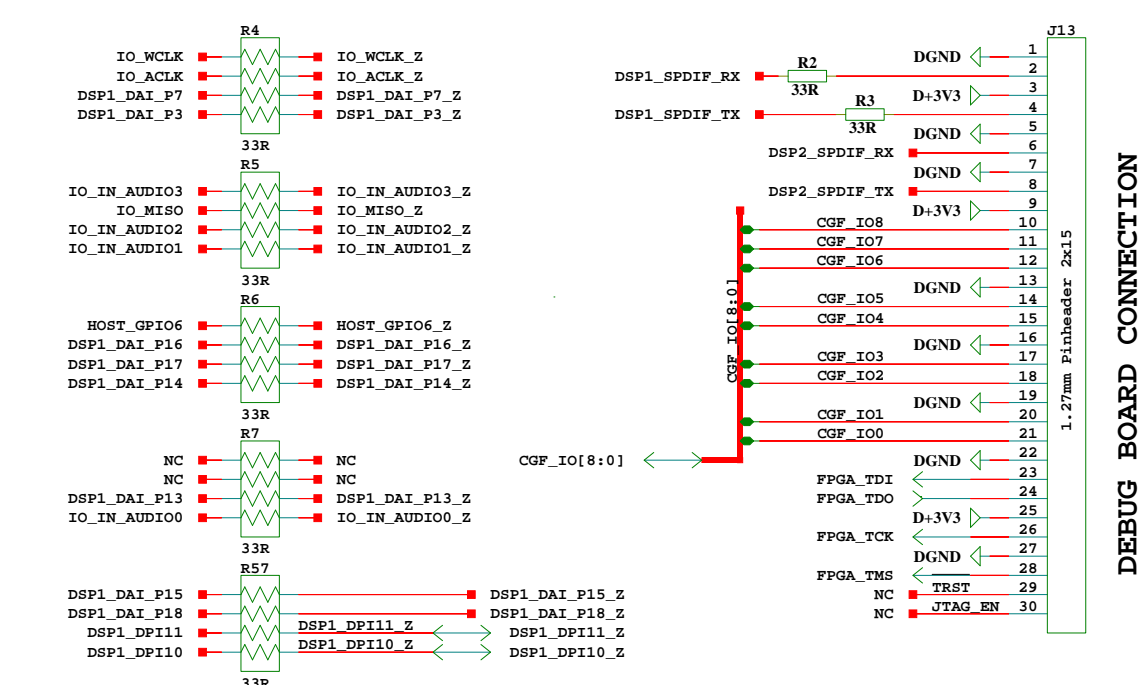
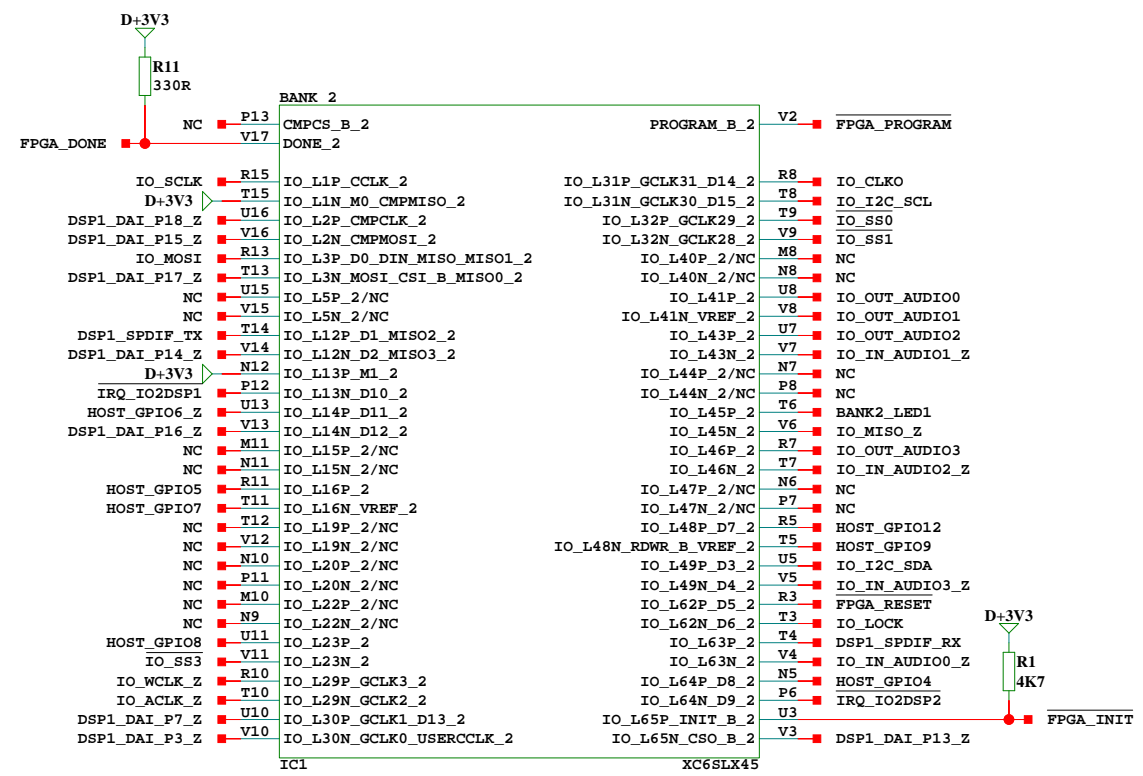


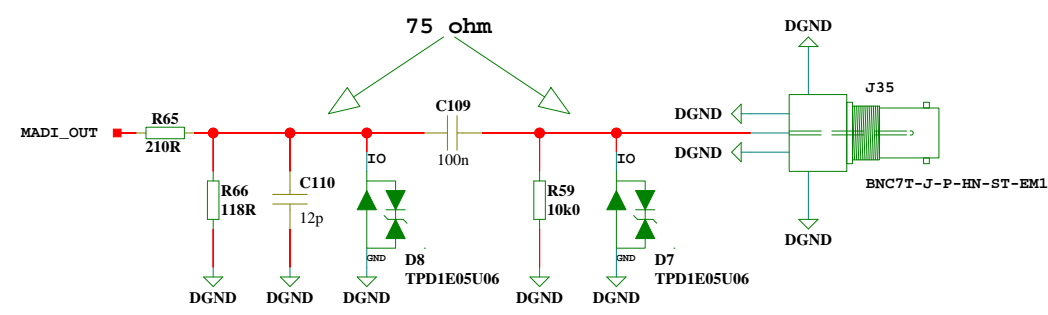
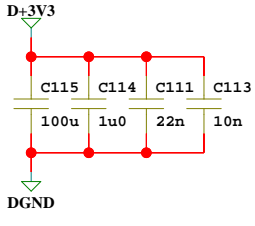
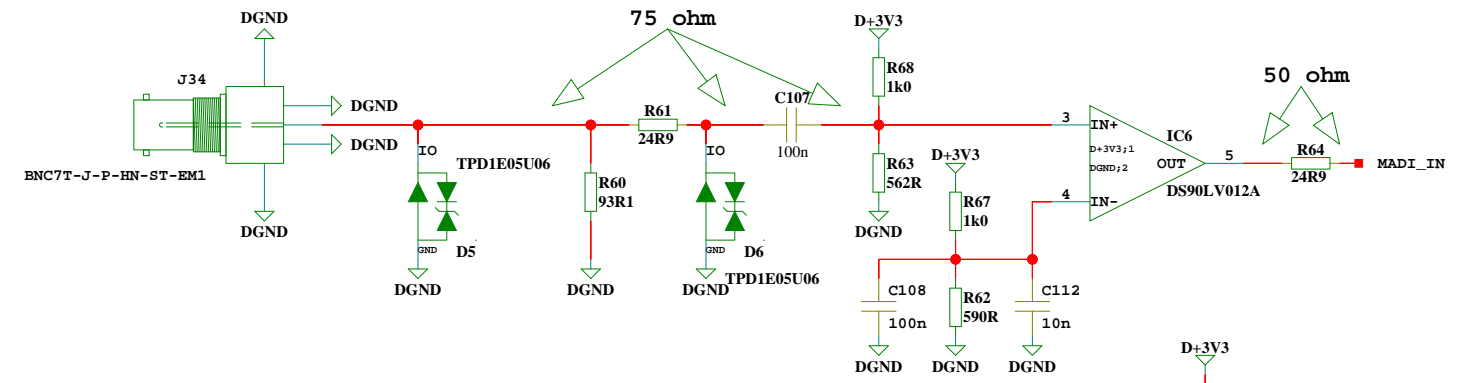
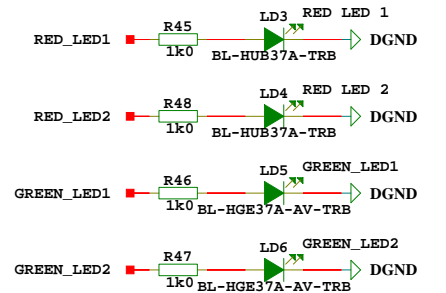
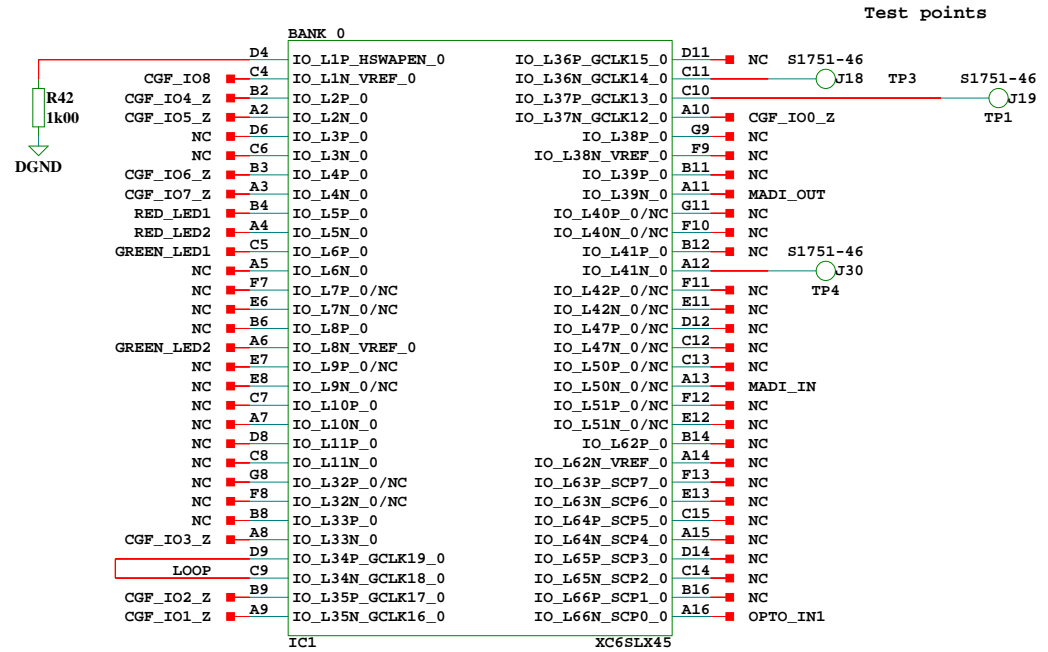
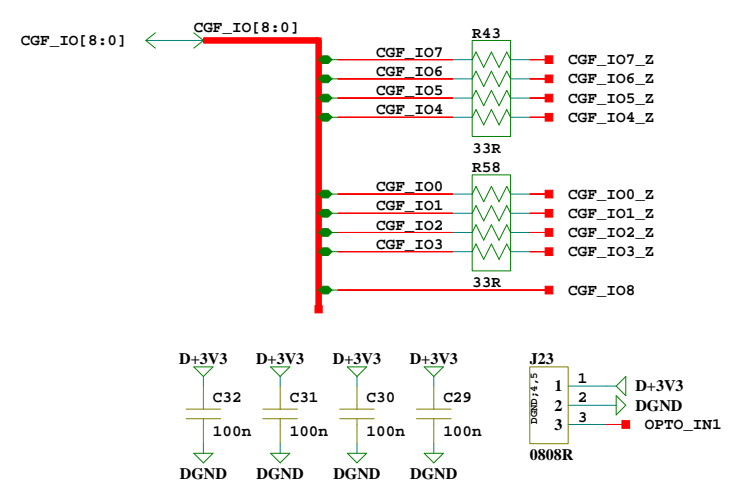
FRONT-END BOARD CONN. 2



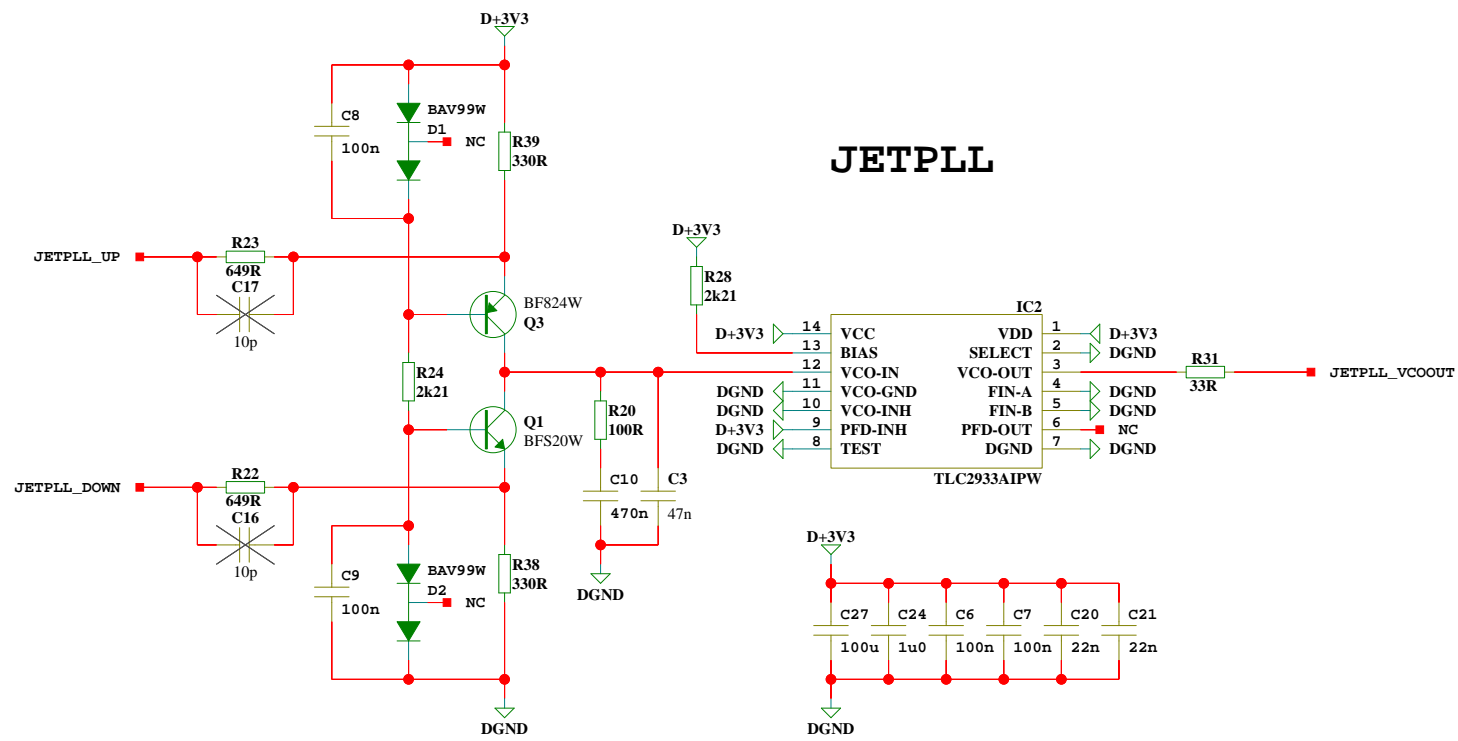
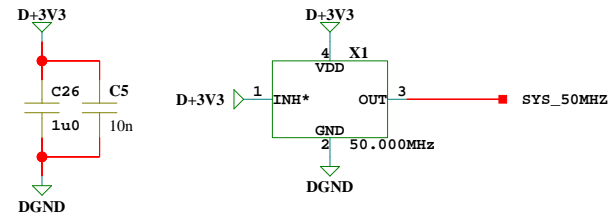
DSP1_DPI[14:12] ↔ DSP1_DPI[14:12]

MAINBOARD CONNECTION

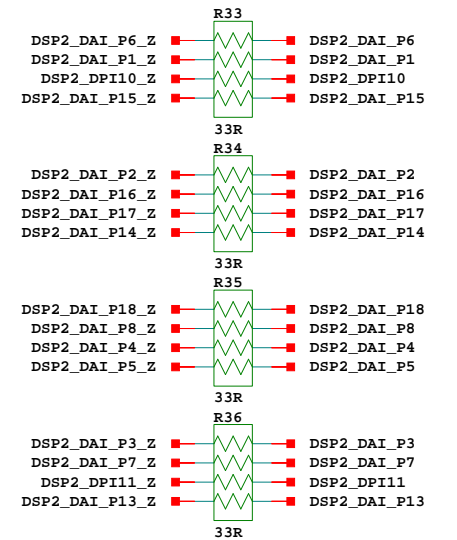
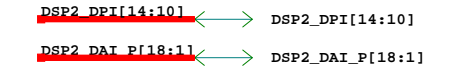
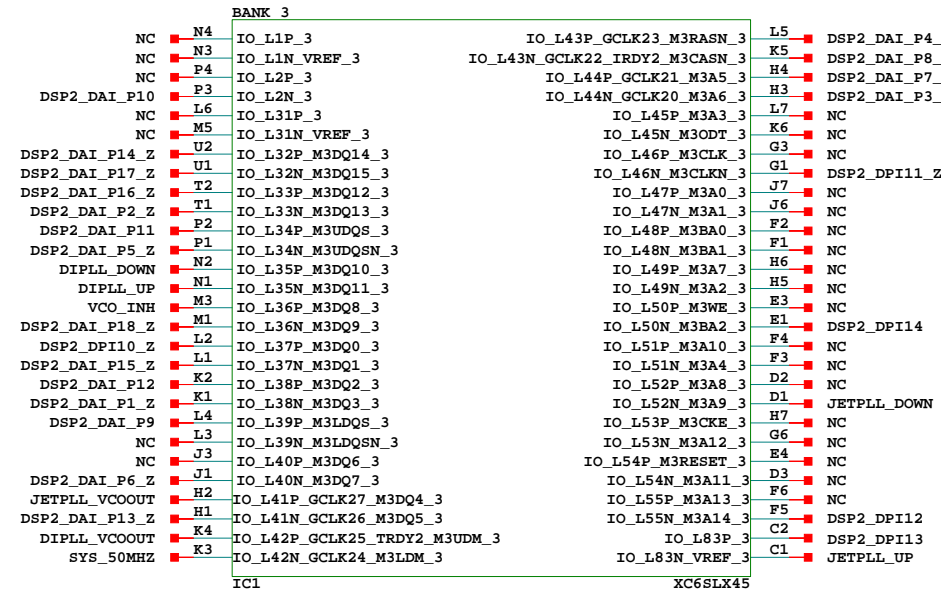




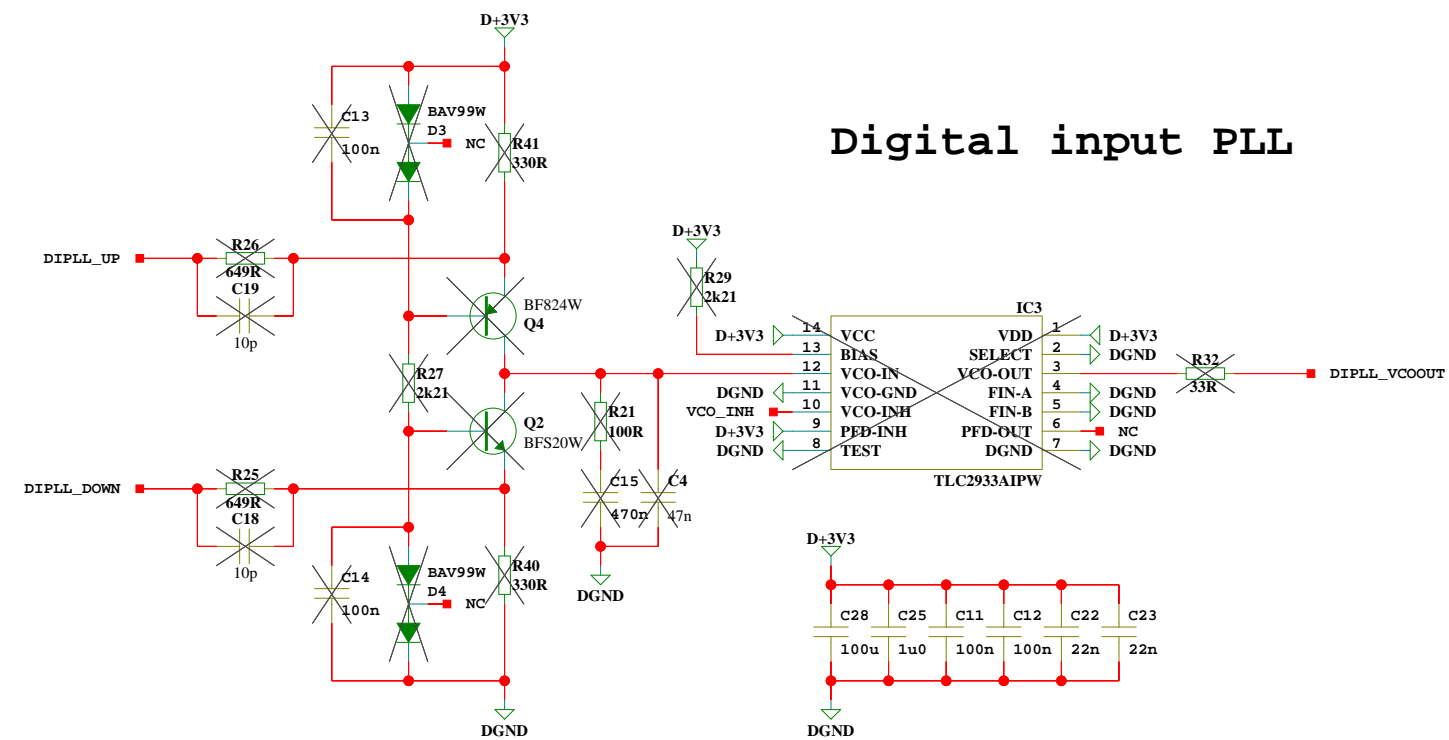
50MHz reference osc

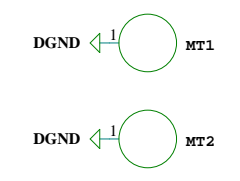
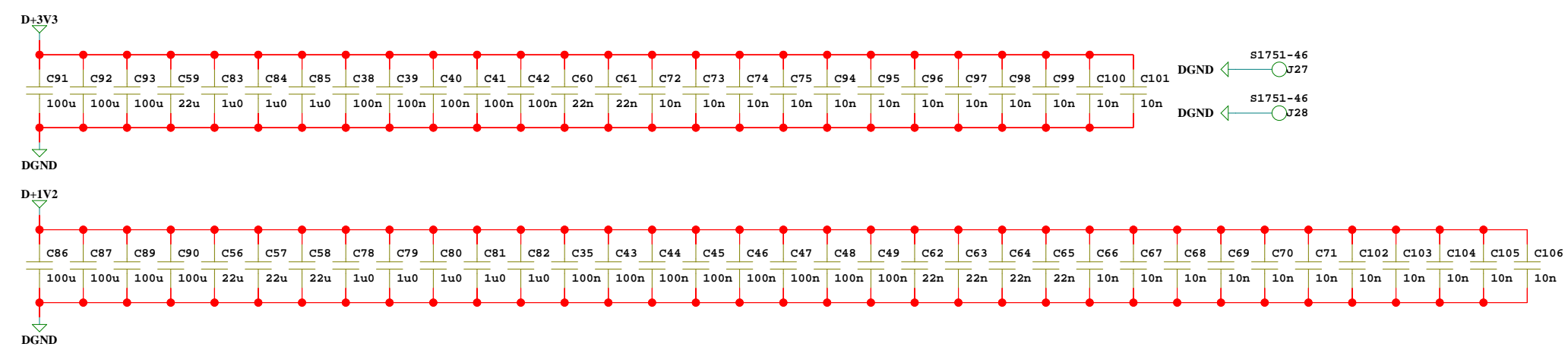
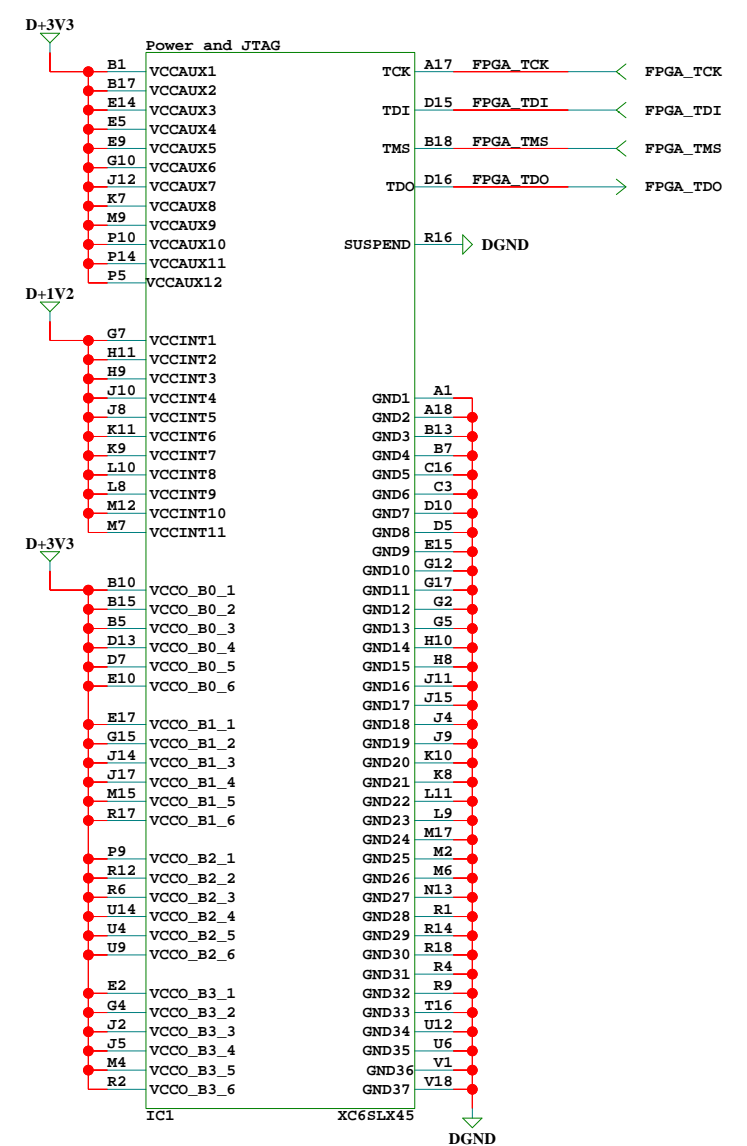
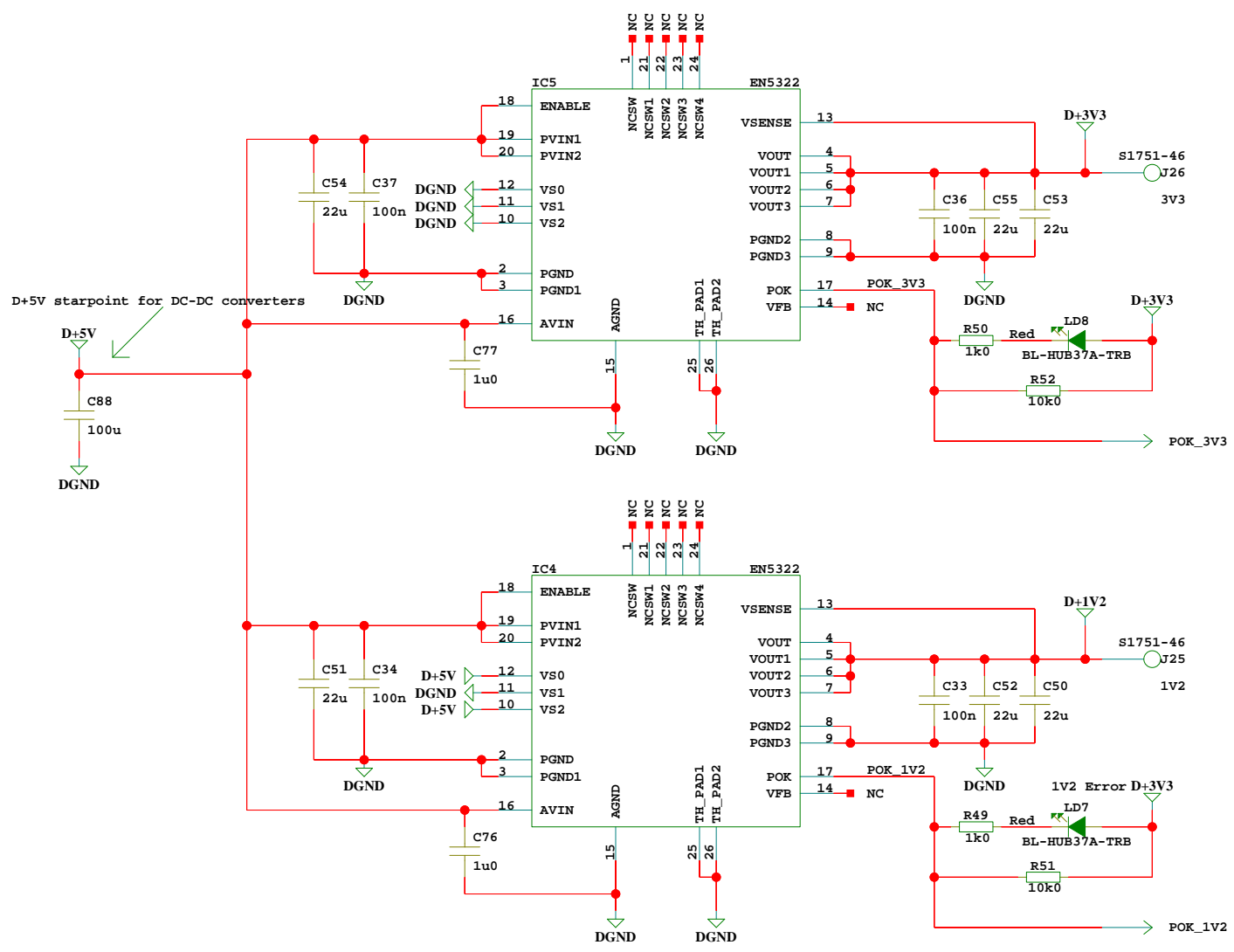


JETPLL



Digital input PLL





tc electronic <small>TC Electronic is an Intel® and Altera® tgroup</small>		Designer(s) MC/MFA	
Title 1355 - MIDI FPGA MADI - NO PLL2		Module title TOP	
Number P56087	Revision A	Variant A	Version B
Date 15/06/2015:11:00	Filename POWER	Board type TOKYO I/O	
		Page / of 6 / 6	