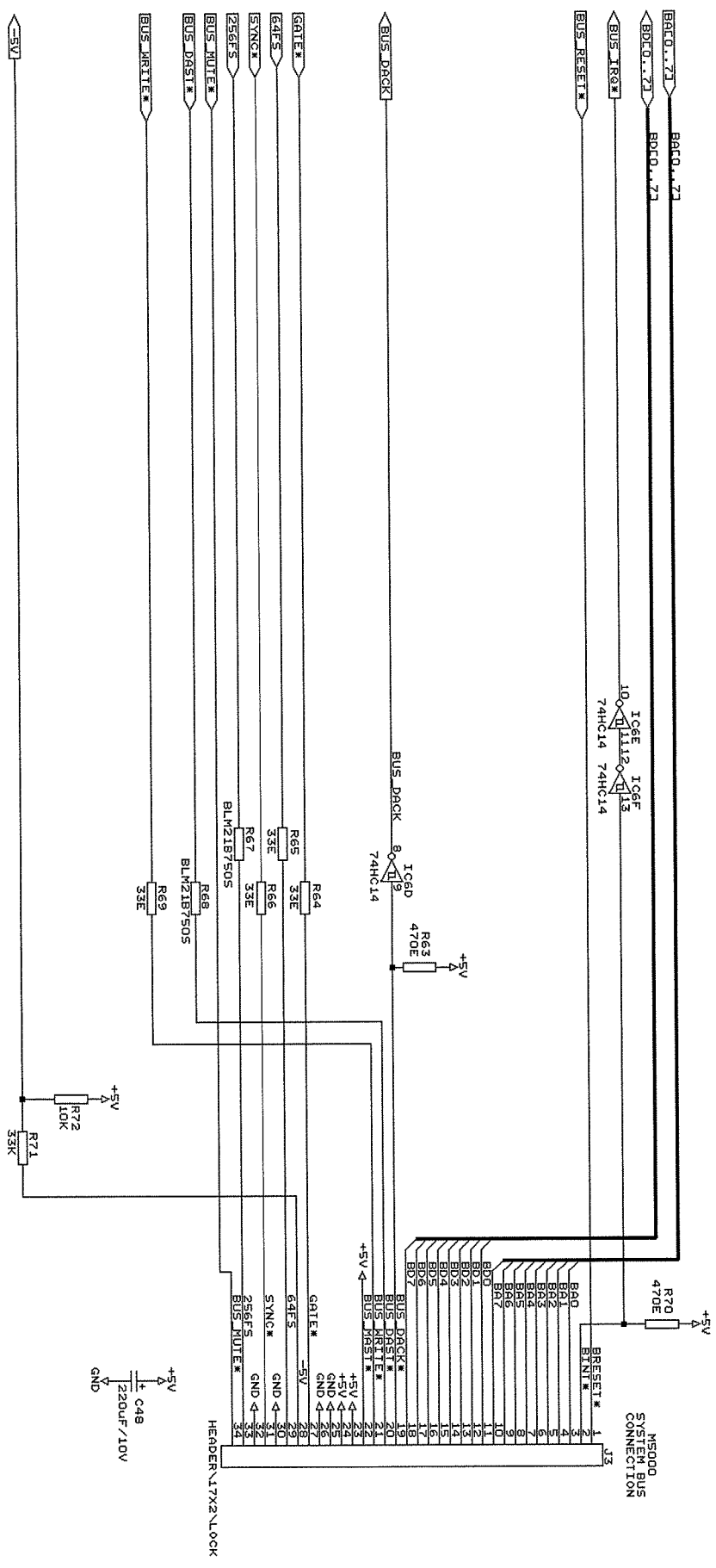
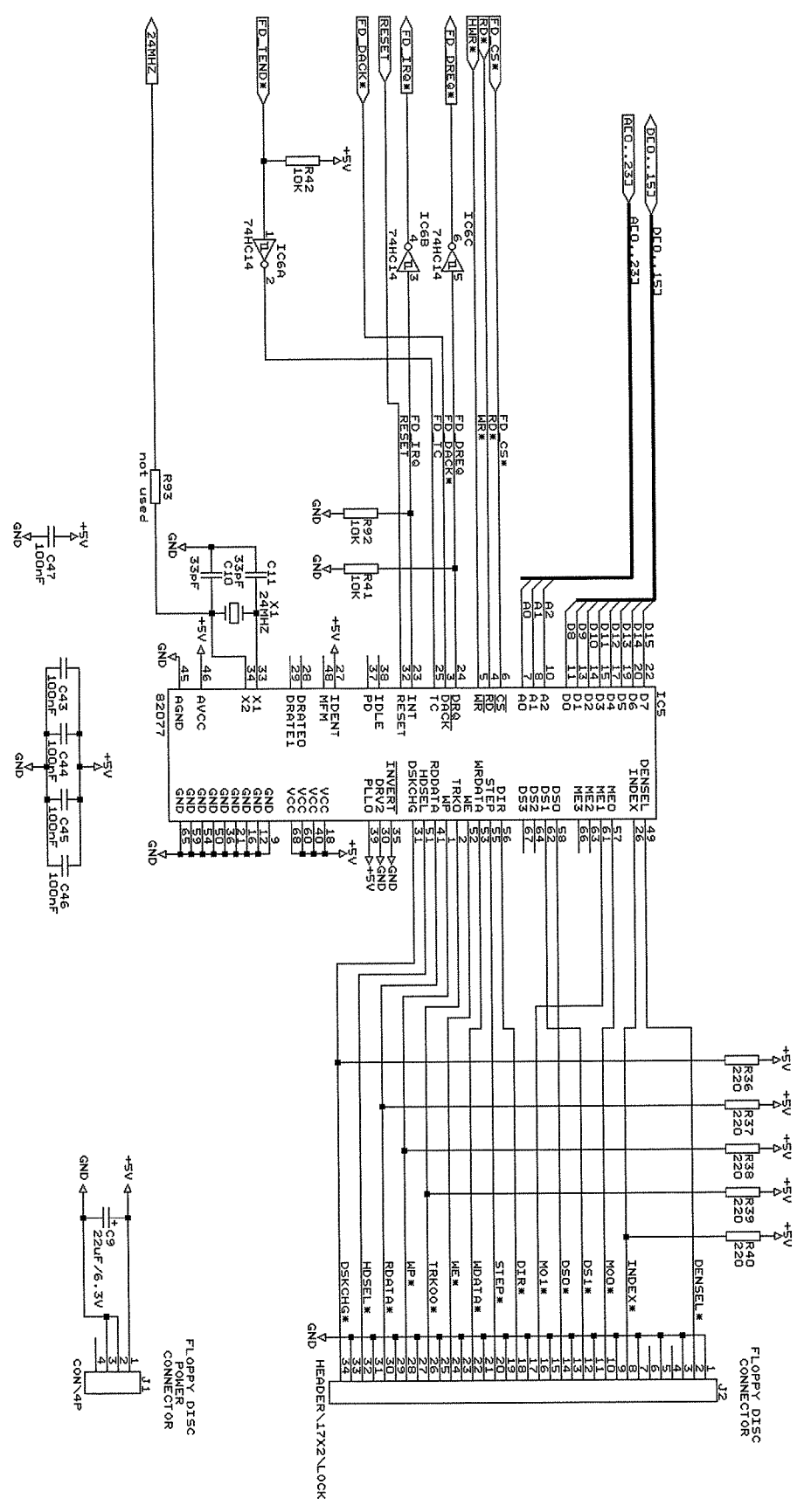


Title TC ELECTRONIC A/S
 Size M6000 CPU board
 Size Document Number 5100-342.SOH
 Date August 7, 2000 Sheet 1 of 7
 REV 3A2



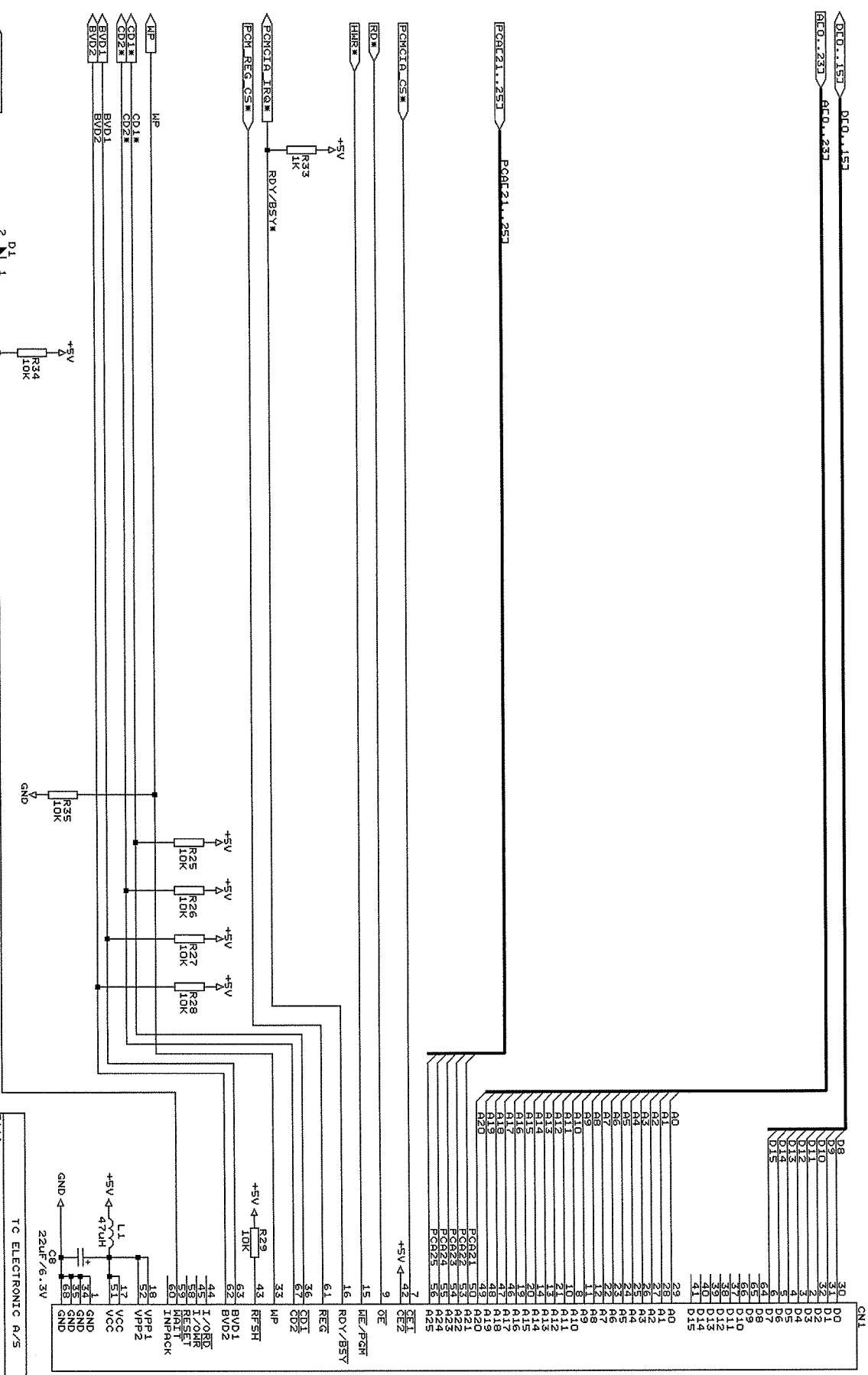
TC ELECTRONIC A/S	
Title	MS600 HOST BUS INTERFACE
Size Document Number	51BUS3A2.SCH
B	REV 3A2
Date:	August 7, 2000 Sheet 2 of 7



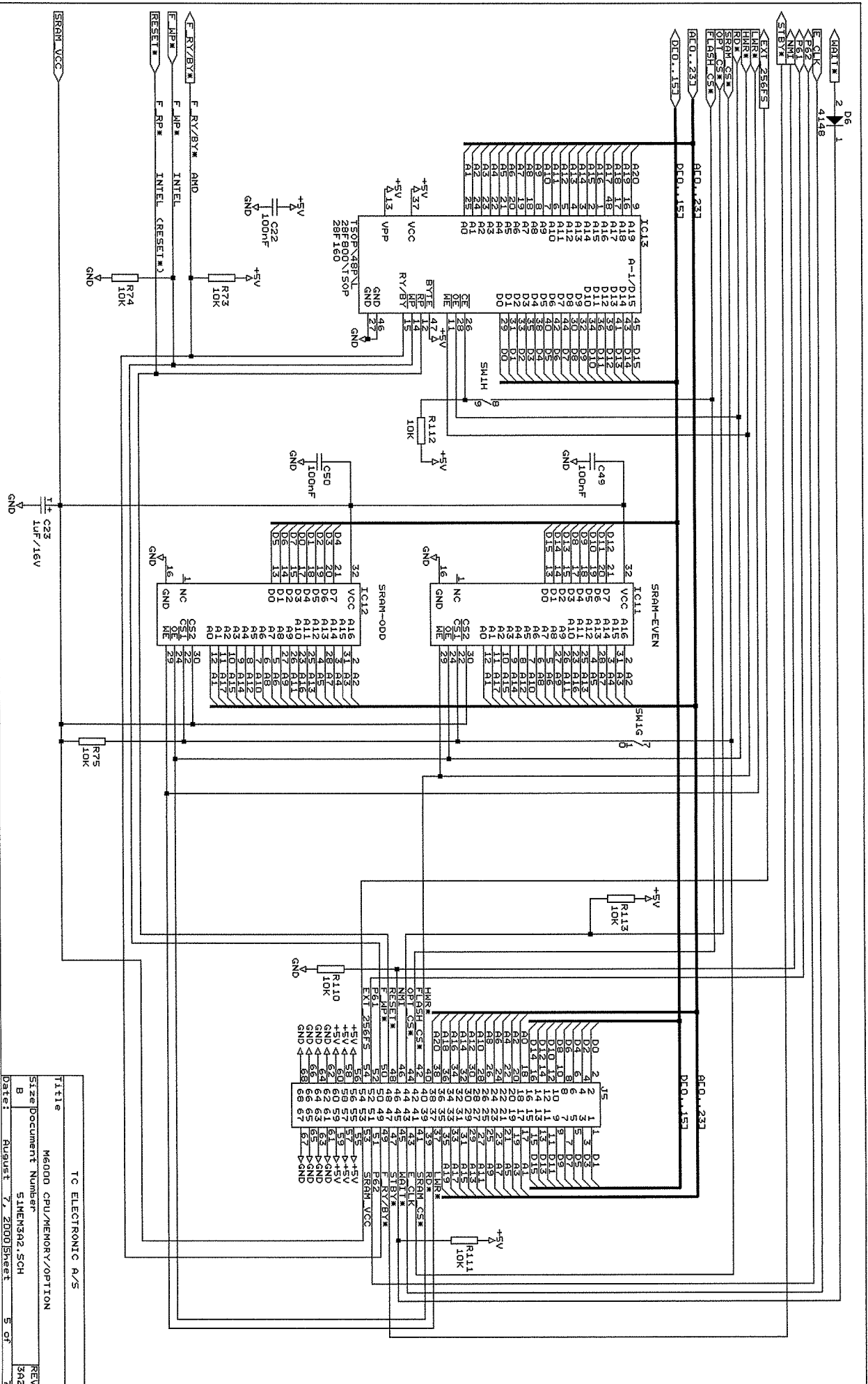
TC ELECTRONIC A/S

Title	MS000 FLOPPY DISK INTERFACE
Size	Document Number
B	510SK3A2.SCH
Date:	August 7, 2000 Sheet 3 of 7
REV	3A2
	7

PNCNCA I

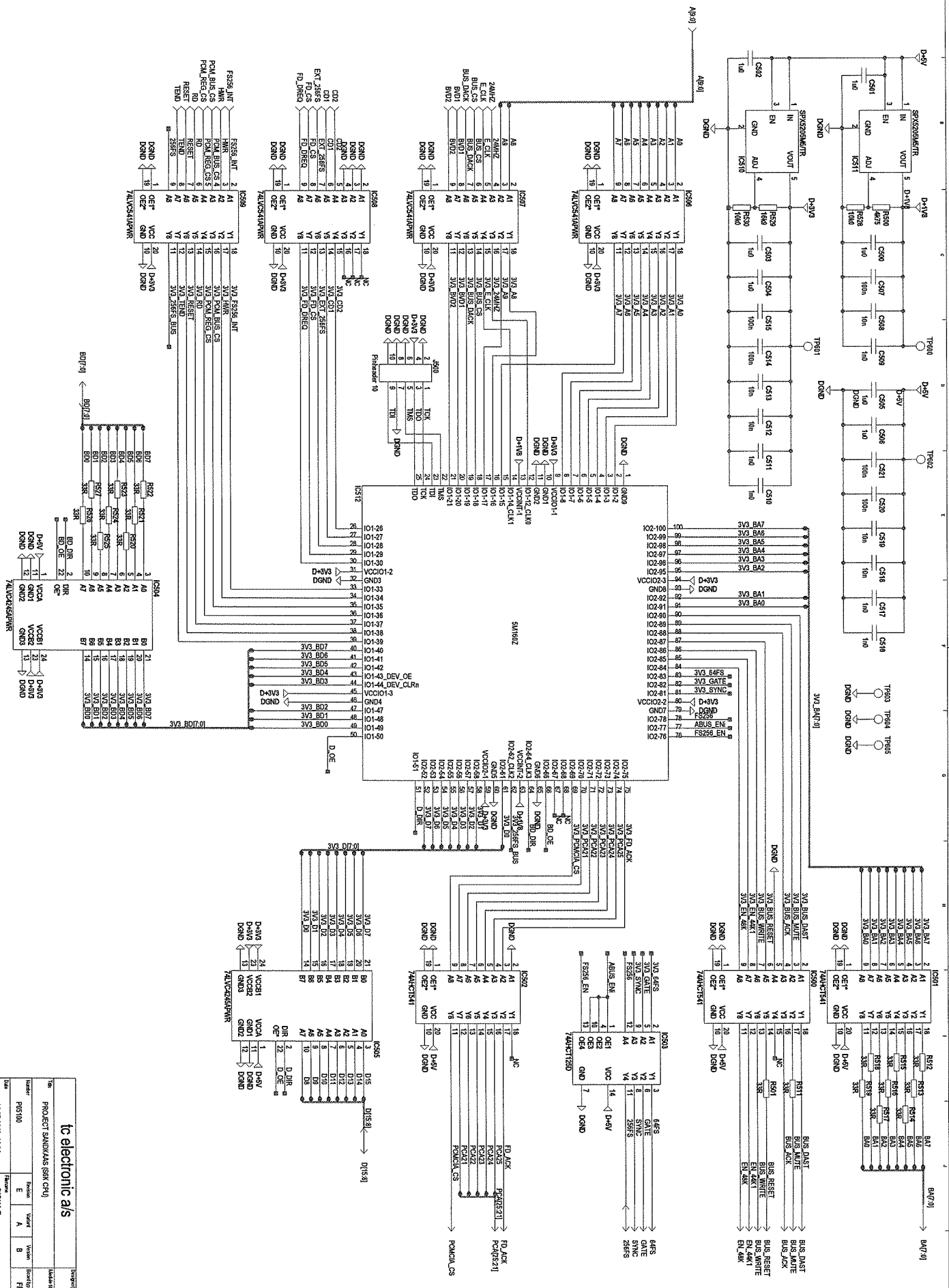


Title		PNCNCA Type I INTERFACE	
Size		Document Number	
B	51PCM3A2.SCH	REV	3A2
Date:		August 7, 2000 Sheet 4 of 7	



TC ELECTRONIC A/S

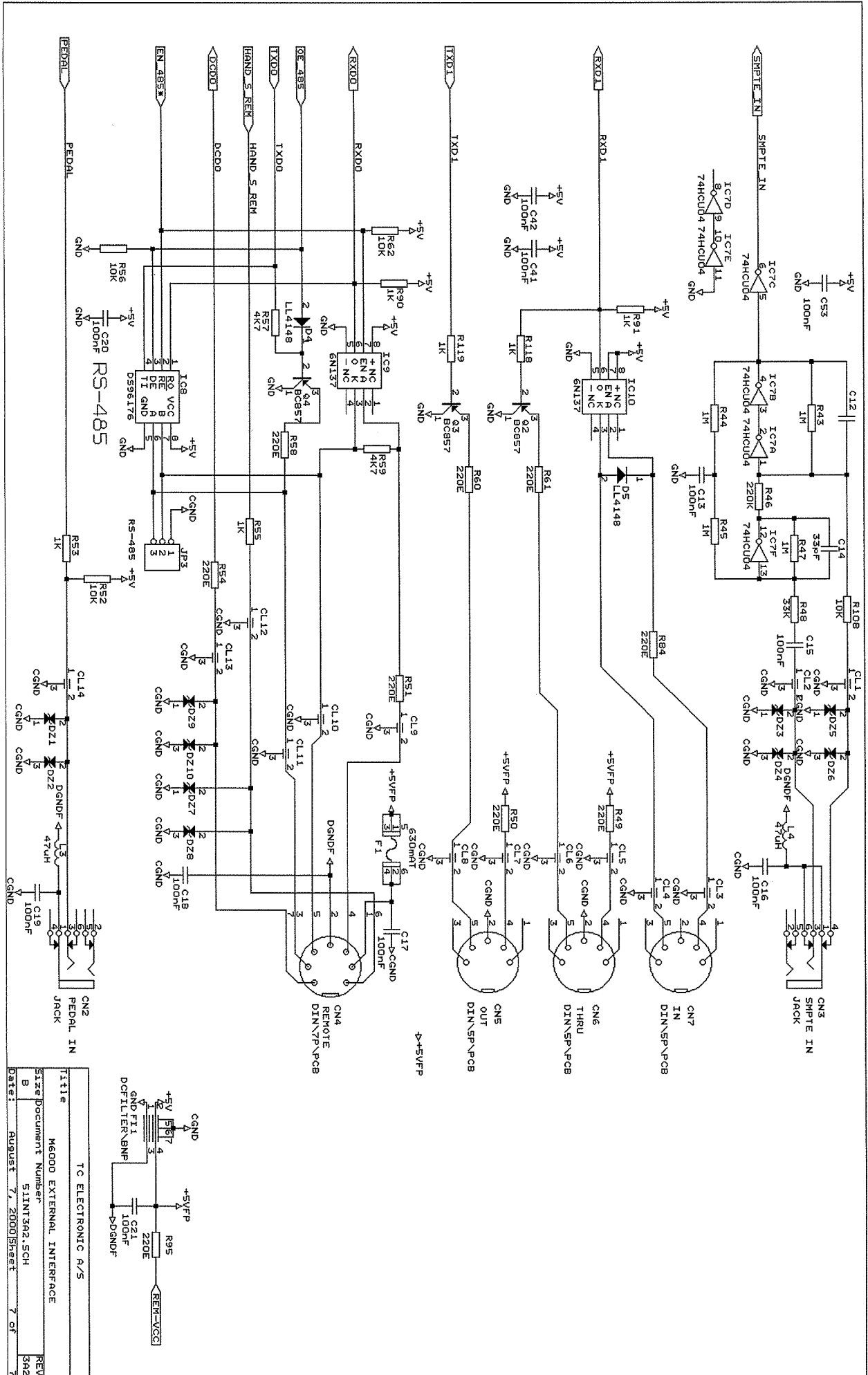
Title	Me600 CPU/MEMORY/OPTION
Size	Document Number
B	51MEN3A2 SCH
Date:	August 7, 2000 Sheet
	5 of 7



PROJECT SANDYBAY (SIX CPU)		MODULE TITLE	
Author	PRG100	Version	
E	A	B	
Revision	PRG100-E	Sheet	1 / 1

to electronic als

MAR



TC ELECTRONIC A/S	
Title	M6000 EXTERNAL INTERFACE
Size/Document Number	51INT362.SCH
Rev	3A2
Date:	AUGUST 7, 2000 Sheet 7 of 7