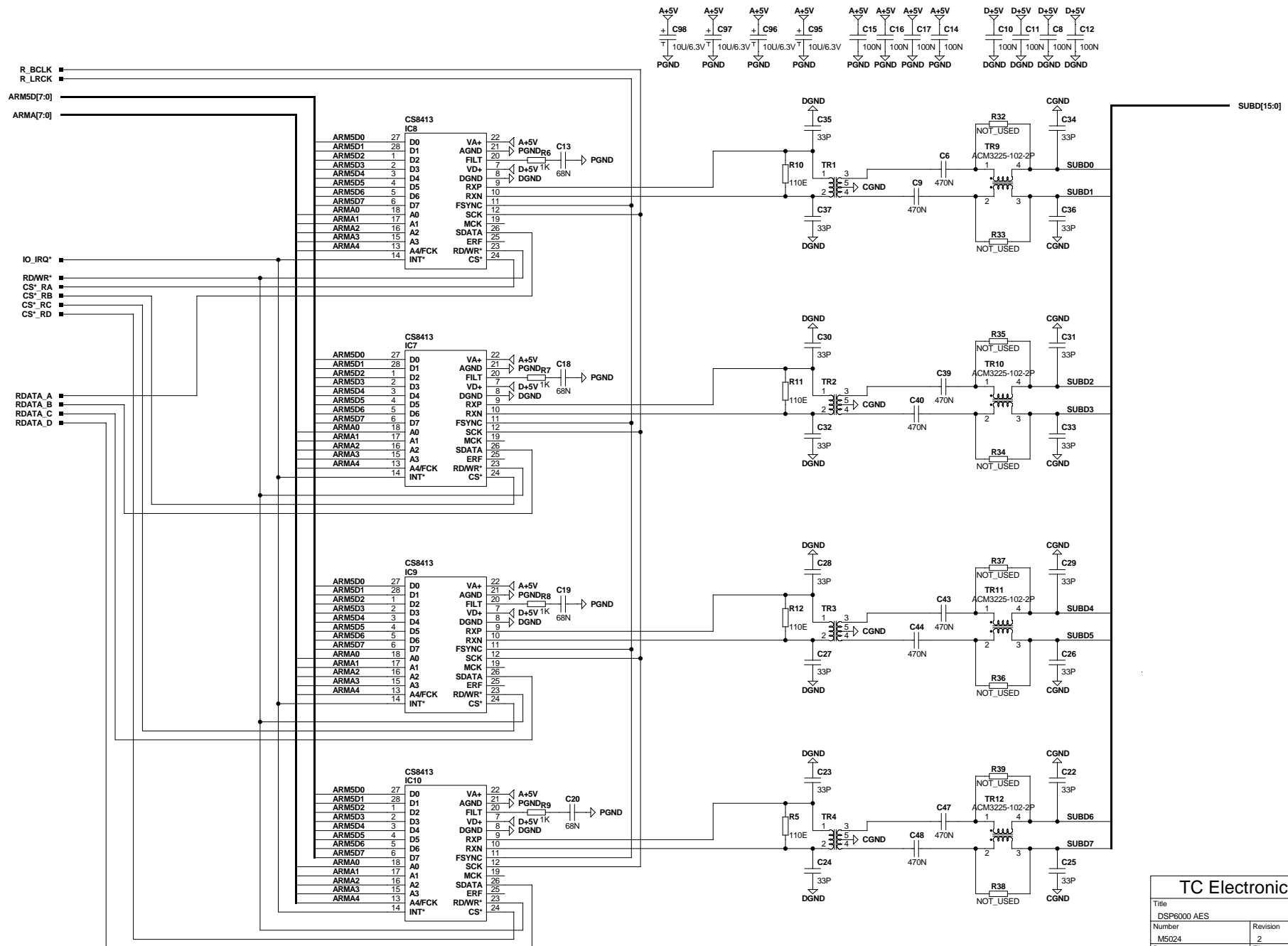
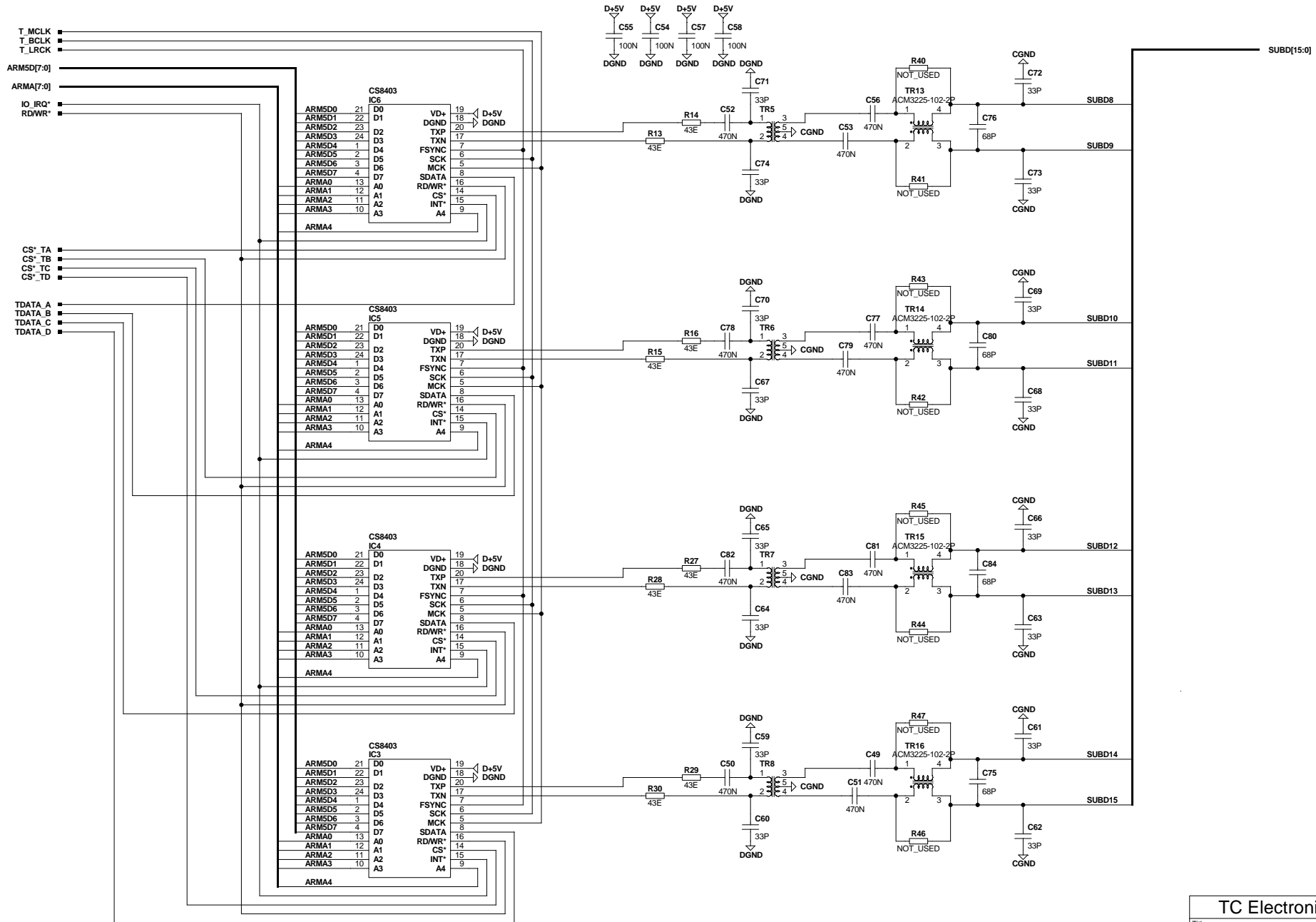


TC Electronic A/S		Designer HK/MC
Title DSP6000 AES	Module title TOP SHEET	
Number M5024	Revision 2	Previous page XX
Date 1-14-2000 13:47	Filename DSP96AES	Page / of 1 / 4



TC Electronic A/S		Designer
Title	DSP6000 AES	HK/MC
Module title	AES RECEIVER	
Number	M5024	Previous page
Revision	2	1
Date	1-27-2000 10:49	Page / of
Filename	AES_REC	2 / 4



TC Electronic A/S		Designer
Title	DSP6000 AES	HK/MC
Module title	AES TRANSMITTER	
Number	M5024	Revision
Date	1-27-2000 10:49	2
Filename	AES_TRX	Previous page
		1
		Page / of
		3 / 4

