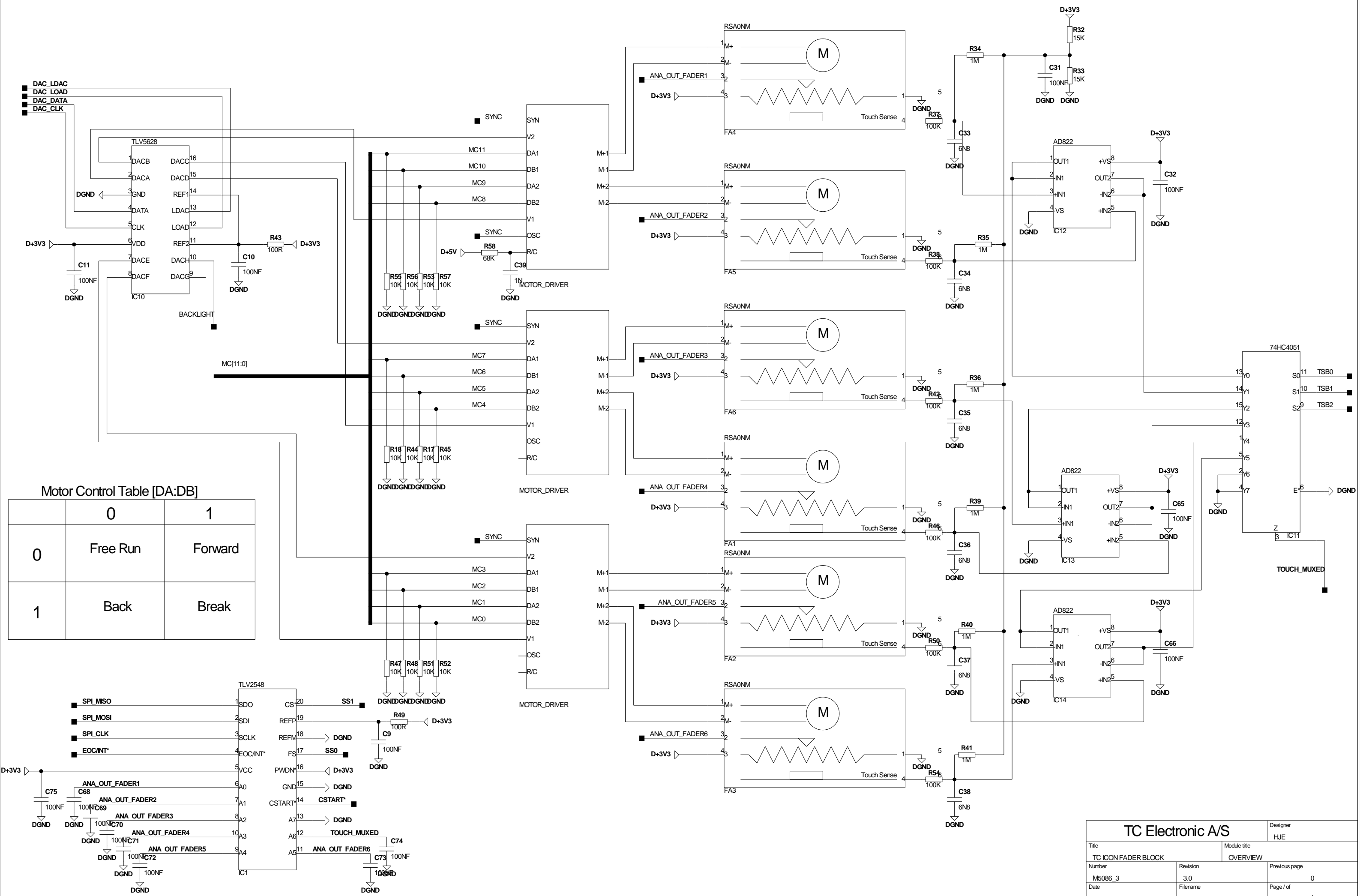
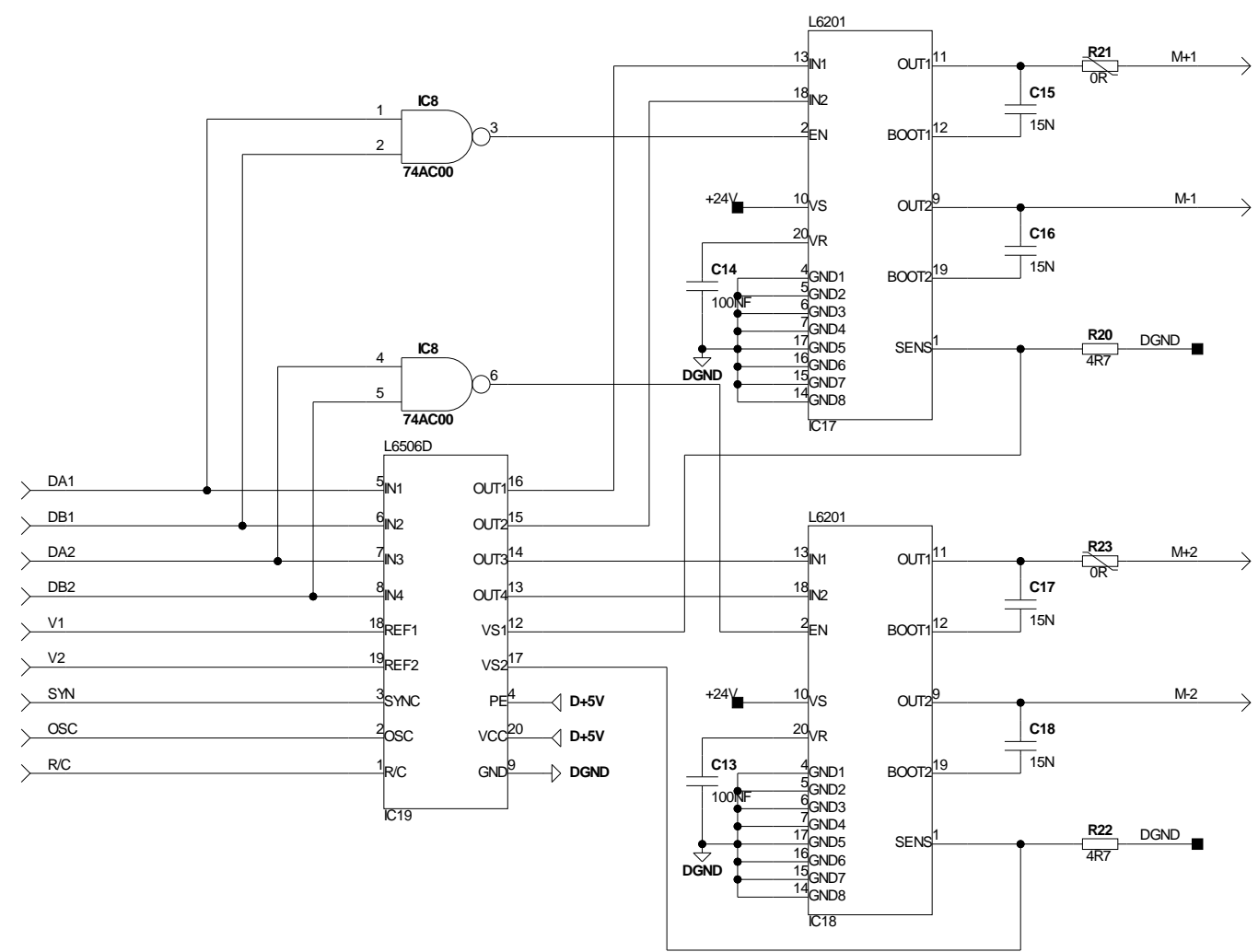


TC Electronic A/S		Designer HJE
Title TC ICON FADER BLOCK	Module title DSP	
Number M5086_3	Revision 3.0	Previous page 1
Date 5-7-2003_11:37	Filename MOTOR_CONTROL	Page / of 2 / 5

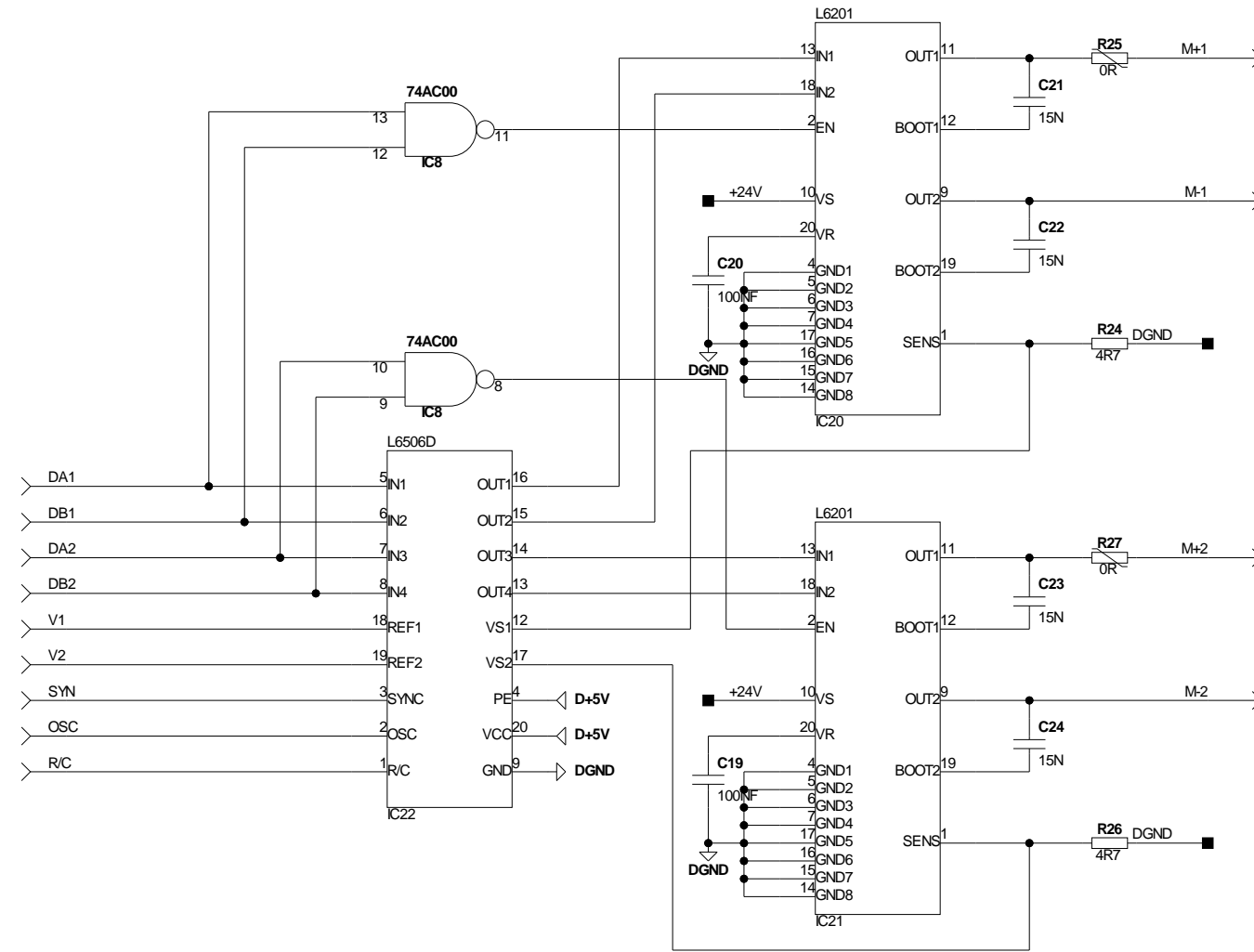


Motor Control Table [DA:DB]

	0	1
0	Free Run	Forward
1	Back	Break



TC Electronic A/S		Designer HJE
Title TC ICON FADER BLOCK		Module title MOTOR_DRIVER1
Number M5086_3	Revision 3.0	Previous page 2
Date 5-7-2003 11:37	Filename MOTOR_DRIVER1	Page / of 3 / 5



TC Electronic A/S		Designer HJE
Title TC ICON FADER BLOCK		Module title MOTOR_DRIVER2
Number M5086_3	Revision 3.0	Previous page 3
Date 5-7-2003 11:37	Filename MOTOR_DRIVER2	Page / of 4 / 5

